

L7022A Electronic Averaging Sensor

SPECIFICATION DATA



FEATURES

- Moisture-resistant, temperature-sensitive resistance element enclosed in flexible copper tubing
- Element easily formed into variety of configurations to insure sensing of average temperatures through large ducts, where temperatures are uneven
- For use with any controller requiring a 500-ohm Balco sensor in electronic control circuits only

GENERAL

The L7022A Electronic Averaging Sensor is used in commercial air conditioning systems to provide accurate measurement and control temperature. Primarily, it is for use in large air-duct systems, but it may also be used to measure concrete slab temperature, or for the control of dew point in an air washer.



DESCRIPTION

The L7022A Electronic Averaging Sensor is used in commercial air conditioning systems to provide accurate measurement and control temperature. Primarily, it is for use in large air-duct systems, but it may also be used to measure concrete slab temperature, or for the control of dew point in an air washer.

SPECIFICATIONS

Model:
L7022A

Element Length:
28 ft (8.5m) 1/8 in. O.D.

Resistance Element:
Balco Type

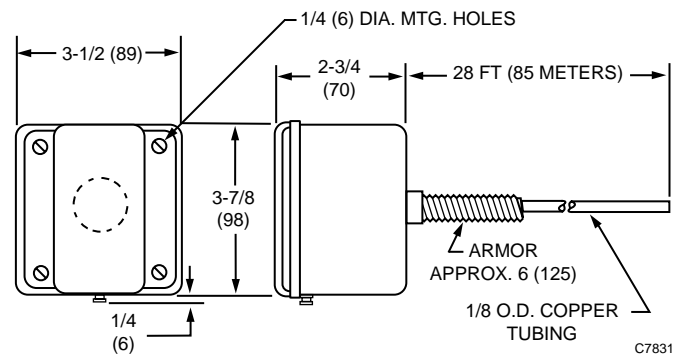
Nominal Resistance:
500 ohms at 74F (41C)

Sensitivity:
1.1 ohms per degree F

Temperature Range:
-30 to 225F (-34 to 118C)

Setpoint Adjustment:
At panel or at remote temperature selector

Dimensions In Inches (Millimeters):



Home and Building Control

Honeywell Inc.
Honeywell Plaza
P.O. Box 524
Minneapolis MN 55408-0524

Honeywell Latin American Division

Miami Lakes Headquarters
14505 Commerce Way Suite 500
Miami Lakes FL 33016

Home and Building Control

Honeywell Limited-Honeywell Limitée
740 Ellesmere Road
Scarborough Ontario
M1P 2V9

Honeywell Europe S.A.

3 Avenue du Bourget
B-1140 Brussels Belgium

Honeywell Asia Pacific Inc.

Room 3213-3225
Sun Hung kai Centre
No. 30 Harbour Road
Wanchai
Hong Kong

Honeywell

Helping You Control Your World

