

JWTF Series

Tank Fitting with Drain

GENERAL INSTRUCTIONS

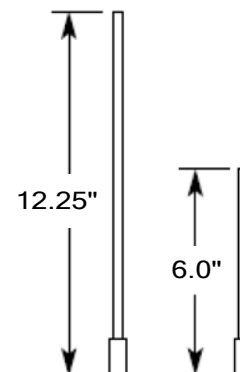
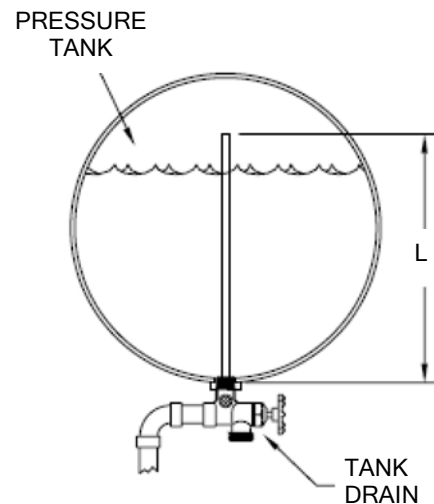
1. The JWTF Series tank fittings maintain an adequate air cushion to provide sufficient pressurization against fluctuations of water volume.
2. Since air can be absorbed in water, the tank fitting maintains collected air within the expansion / compression tank. All free and entrained air collected by an air separator or other air collection device is routed through the tank fitting, allowing air to pass freely into the tank.
3. The fitting restricts the flow of water between the tank and the system, resulting in lower tank temperature, minimizing air absorption.
4. Under normal operating conditions, the tank fitting readily allows air to enter the tank.

INSTALLATION INSTRUCTIONS

1. For easy draining of hot water heating system expansion / compression tanks, install the tank fitting in the bottom shell tapping with the air tube extending up near the top of the tank.
2. The tank fittings combine a shutoff valve and tank drain into a single unit. When the handle is turned in tight, the tank line is open. When the handle is backed out until tight, the tank line is closed and the drain is open.

OPERATING INSTRUCTIONS

1. To drain the tank, back out the handle as far as possible.
2. Remove the vent plug.
3. When the tank is empty, replace the plug, and turn the handle in tight.



AIR TUBE
EXTENSIONS

L Dimensions with Extensions

MODEL NUMBER	STANDARD LENGTHS	6" EXT.	12" EXT.	6" & 12" EXT.
JACD-63-150	11.44	16.94	23.19	28.69
JWTF-63-075	11.44	16.94	23.19	28.69
JWTF-63-100	12.81	18.31	24.31	30.06

* 2" must be cut from extended tube length on JWTF-63-100 fitting with 24" & 30" diameter tanks.