



SimpleComfort® SC700V Series

FAN COIL THERMOSTAT, 3 SPEED FAN

Non-Programmable

Simplicity is in its name. ICM's SimpleComfort® fan coil thermostats feature innovation and technology that provides precise control for year-round comfort and energy savings. Ideal for fan coil or baseboard applications.



- 4 pipe heat/cool
- 3 speed fan
- Auto or Manual changeover models available
- 24 VAC or 110-277 VAC models available
- Remote room temperature sensor (Optional: Order ACC-RT103)



LISTED
TEMP. IND. AND REG. EQUIP.
4PC1



SC700V Series



- Fan coil thermostat
- 4 pipe heat/cool
- 3 speed fan

Non-Programmable
24 or 110-277 VAC operation
Hardwired

Specifications

Low Voltage (24 VAC) Specifications

Input:
 • Voltage: 18-30 VAC

Output:

Fan and System Switches

Voltage Rating	Inductive		Pilot Duty	Heat/Cool Outputs
	FLA	LRA		
24 VAC	N/A	N/A	24 VA	10 VA

- Temperature control ranges: 50°F to 90°F
 Accuracy: ± 2°F
- Differential range: Fixed 2°F
- System configurations: Single-stage heat, single-stage cool

High Voltage (110-277 VAC) Specifications

Input:
 • Voltage: 110-277 VAC

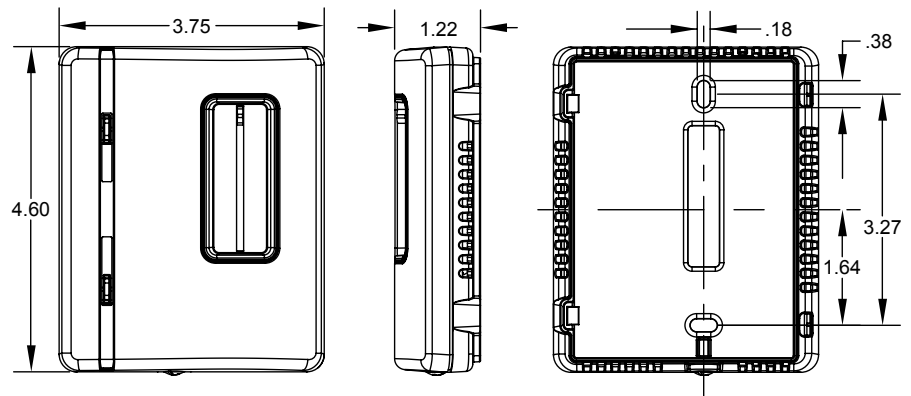
Output:

Fan and System Switches

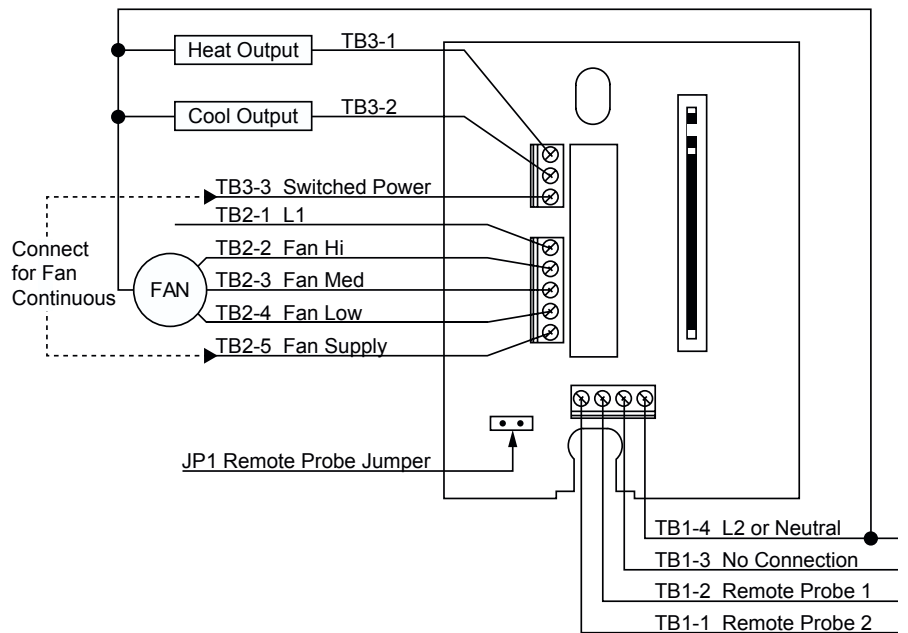
Voltage Rating	Inductive		Pilot Duty	Heat/Cool Outputs
	FLA	LRA		
120 VAC	5.8	34.8	125 VA	20 VA
240 VAC	2.9	17.4	125 VA	20 VA
277 VAC	2.4	14.4	125 VA	20 VA

- Temperature control ranges: 50°F to 90°F
 Accuracy: ± 2°F
- Differential range: Fixed 2°F
- System configurations: Single-stage heat, single-stage cool

Dimensions



Wiring Diagram



Ordering Information

- SC700LV – 24 VAC, auto changeover
- SC700V – 110-277 VAC, auto changeover
- SC710LV – 24 VAC, manual changeover
- SC710V – 110-277 VAC, manual changeover

Specifications subject to change without notice.