



# SC4211 SimpleComfort<sup>®</sup> PRO

R C Y1 Y2 W2 O B G E L S1 S2

## TWO-STAGE HEAT PUMP

*Non-Programmable*

**Simplicity is in its name.** ICM's SimpleComfort<sup>®</sup> PRO series thermostats feature innovation and technology that provides programming simplicity with precise control for year-round comfort and energy savings. Our patented Thermal Intrusion Barrier and patent-pending SimpleSet<sup>™</sup> Target Programming set new industry standards in thermostat technology and are exclusive to each PRO series model.



- Two-stage heat pump
- New ICM patented Thermal Intrusion Barrier
- New ICM patent-pending SimpleSet<sup>™</sup> Target Programming technology (configuration mode only)
- Large display with backlight
- Hardwired
- Permanent memory
- Accuracy:  $\pm 1^{\circ}\text{F}$ ,  $\pm 0.5^{\circ}\text{C}$
- Configurable recirculation fan mode
- Manual or auto changeover
- Field adjustable calibration
- Adjustable maximum heat/minimum cool setpoints
- Adjustable temperature differential
- Configurable remote sensor compatible
- Selectable  $^{\circ}\text{F}$  or  $^{\circ}\text{C}$
- Keypad lockout
- Soft touch controls
- Status LEDs



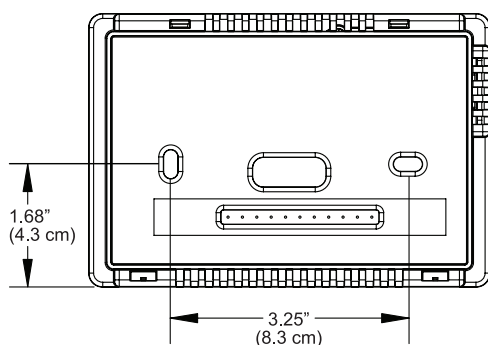
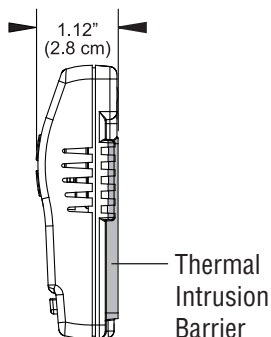
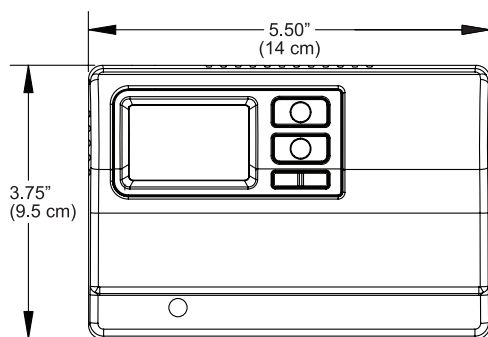
# SC4211



- Two-stage heat pump
- Large display with backlight
- Field temperature calibration

## Non-Programmable Two-Stage Heat Pump Hardwired

### Dimensions



### Specifications

#### Electrical Rating:

- 24 VAC (18-30 VAC)
- 1 amp maximum per terminal
- 3 amp maximum total load
- Easy access terminal block

#### Temperature Control Ranges:

- 45°F to 90°F, Accuracy:  $\pm 1^\circ\text{F}$
- 7°C to 32°C, Accuracy:  $\pm .5^\circ\text{C}$

#### System Configurations:

- Two-stage heat pump

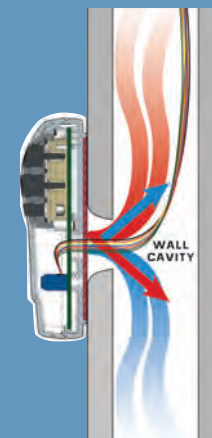
#### Terminations:

- SC4211: **R, C, Y1, Y2, W2, O, B, G, E, L, S1, S2**

*Specifications subject to change without notice.*

## NEW Thermal Intrusion Barrier

Exclusive, patented insulation technology eliminates thermal drift caused by wall effect.



## NEW SimpleSet™ Target Programming

Patent-pending technology lets you transfer the configuration from one thermostat to another in seconds.



**Need to monitor the temperature away from the thermostat?**

**Choose an ICM remote sensor.**

The fast, easy solution for temperature sensing problems.

- For tamper prone areas
- Poor airflow areas
- Troubled applications
- Foam gasket prevents drafts through wall opening
- Mounts to standard 2" x 4" outlet box
- **ACC-RT103** — 2 3/4" x 4 1/2"

