



SimpleComfort® SC3001L

Terminations

RC RH W Y C O B G

SINGLE-STAGE HEAT/COOL

7-Day, 5-2-Day & 5-1-1-Day
Programmable

Simple control for year-round comfort. This easy-to-operate comfort command center allows you to match temperature to your family's lifestyle. Attractive, extra-rugged, highly reliable and accurate, this thermostat's elegant design will look and perform like new for years to come.



- Single-stage heat/cool
- Single-stage heat pump
- New ICM patented Thermal Intrusion Barrier
- New SimpleSet™ Target Programming technology
- Large display with backlight
- Accuracy: $\pm 1^\circ\text{F}$
- Adjustable temperature differential
- Adjustable maximum heat/ minimum cool set points
- Hardwired
- Manual changeover
- Easy access terminal block
- Field adjustable calibration
- Selectable $^\circ\text{F}$ or $^\circ\text{C}$
- Soft-touch controls



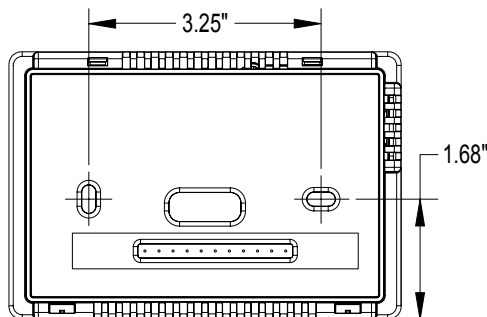
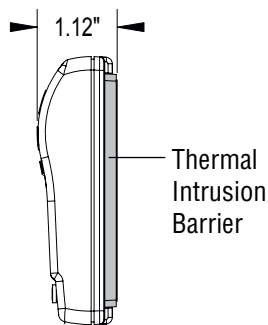
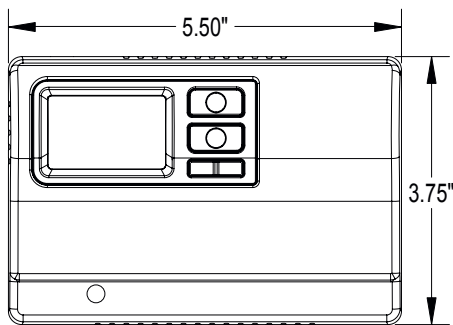
SC3001L



- One-stage heat/one-stage cool
- Heat pump, gas, oil or electric systems
- Manual changeover

**Programmable 7-Day, 5-2-Day & 5-1-1-Day
Single-Stage Heat/Cool or Single-Stage Heat Pump
Hardwired**

Dimensions



Specifications

Electrical Rating:

- 24 VAC (18-30 VAC)
- 1 amp maximum per terminal
- 3 amp maximum total load
- Easy access terminal block

Temperature Control Ranges:

- 45°F to 90°F, Accuracy: $\pm 1^\circ\text{F}$

System Configurations:

- Single-stage heat, single-stage cool or single-stage heat pump, gas, oil, electric

Terminations:

- SC3001L: **RC, RH, W, Y, C, O, B, G**

Specifications subject to change without notice.

NEW Thermal Intrusion Barrier

Exclusive, patented insulation technology eliminates thermal drift caused by wall effect.



NEW SimpleSet™ Target Programming

Patent-pending technology lets you transfer the program and configuration from one thermostat to another in seconds.



Need more wall coverage? Order the ICM insulated wall plate for a polished installation.

Eliminate the wall effect. ICM's insulated wall plate provides a fast, easy solution for hiding wall problems.

- Foam gasket prevents drafts through wall opening
- Rugged, flexible construction
- Hidden mounting screws for a sleek appearance
- Universal fit with all SimpleComfort® thermostats
- Order: **ACC-WP03** — 5.7"H x 7.5"W



SC5812 Thermostat shown with **ACC-WP03** insulated wall plate.