



SimpleComfort® SC2311L

Terminations

R C W1/OB Y W2 E G

2-STAGE HEAT/1-STAGE COOL

Non-Programmable

Simple control for year-round comfort. This easy-to-operate comfort command center allows you to match temperature to your family's lifestyle. Attractive, extra-rugged, highly reliable and accurate, this thermostat's elegant design will look and perform like new for years to come.



- Two-stage heat, single-stage cool
- Single-stage heat pump w/ aux. heat
- New ICM patented Thermal Intrusion Barrier
- New ICM patent-pending SimpleSet™ Target Programming technology
- Large display with backlight
- Accuracy: $\pm 1^{\circ}\text{F}$
- Adjustable temperature differentials
- Adjustable maximum heat/minimum cool set points
- Hardwired
- Manual changeover
- Easy access terminal block
- Field adjustable calibration
- Selectable $^{\circ}\text{F}$ or $^{\circ}\text{C}$
- Keypad lockout
- Zoning system compatible
- Soft-touch controls
- Status LED



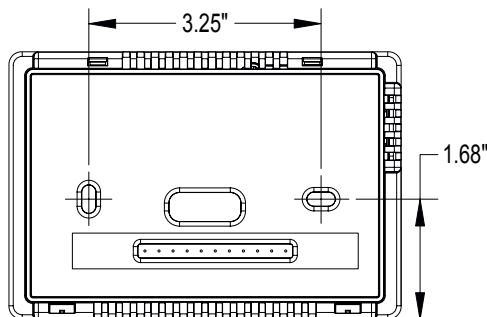
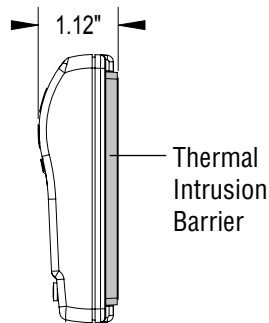
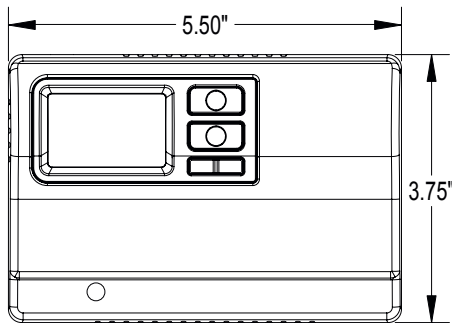
SC2311L



- Two-stage heat, single-stage cool
- Single-stage heat pump w/ aux. heat
- Gas, oil or electric systems
- Manual changeover

**Non-Programmable
Two-Stage Heat, One-Stage Cool
Hardwired**

Dimensions



Specifications

Electrical Rating:

- 24 VAC (18-30 VAC)
- 1 amp maximum per terminal
- 3 amp maximum total load
- Easy access terminal block

Temperature Control Ranges:

- 45°F to 90°F, Accuracy: $\pm 1^\circ\text{F}$

System Configurations:

- 2-stage heat, single-stage cool, single-stage heat pump w/ aux. heat, gas, oil, electric

Terminations:

- SC2311L: **R, C, W1/O/B, Y, W2, E, G**

Specifications subject to change without notice.

NEW Thermal Intrusion Barrier

Exclusive, patented insulation technology eliminates thermal drift caused by wall effect.



NEW SimpleSet™ Target Programming

Patent-pending technology lets you transfer the program and configuration from one thermostat to another in seconds.



Be sure to try out these other thermostats from ICM Controls!

SimpleComfort® PRO Series – Innovation and technology that simplifies installation and increases profitability!

- Flexible 7-day, 5-2-day and 5-1-1-day programming (programmable models)
- ICM's patented Thermal Intrusion Barrier
- ICM's patent-pending SimpleSet™ Target Programming technology
- Large display with backlight
- Permanent memory
- Auto or manual changeover
- Field adjustable calibration
- Configurable remote sensor compatible
- Keypad lockout
- Soft-touch controls

Programmable Thermostats

SC5010, SC5011, SC5211, SC5811, SC5812, and SC5813

Non-Programmable Thermostats

SC4010, SC4011, SC4211, SC4811 and SC4812

For more information about ICM's full line of thermostats, please visit our website.