

ICM Frost Sentry™ FREEZE PROTECTION THERMOSTAT



When it comes to freezing cold temperatures, you can relax knowing that **ICM's Frost Sentry™** is on guard. This low-cost, single-setpoint thermostat is perfect for areas requiring temporary or permanent freeze protection.

Its special foam backing improves accuracy by providing separation from the wall at installation, while sealing up any unsightly wiring holes. This insulated backing helps eliminate the risk of "wall effect" from causing false temperature readings.

Ideal for storage areas, garages, workshops, crawl spaces and other critical areas where protection from extreme cold is essential.



Mode of Operation

The circuit will close when the ambient temperature drops below the setpoint. The circuit will open when the ambient temperature climbs above the setpoint.

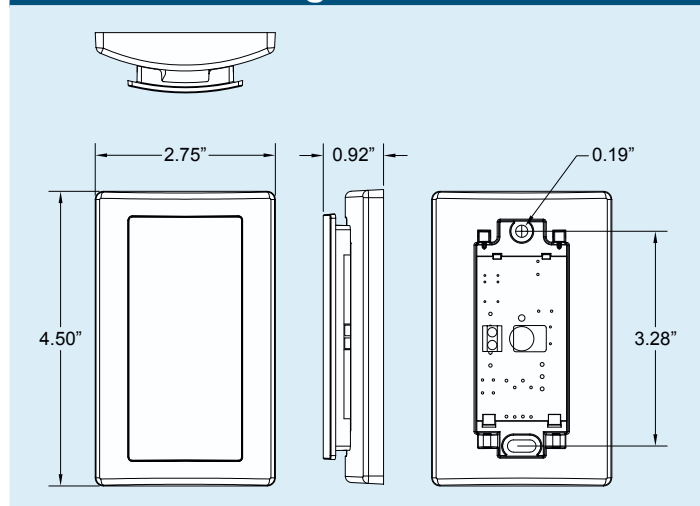
Features

- Easy, two-wire installation
- Fixed setpoint at 40°F
- Special foam backing improves accuracy; helps eliminate "wall effect"
- Sleek, rugged design
- Compatible with most standard electric heating units
- Ideal for storage areas, garages, workshops and crawl spaces

Specifications

Input: Input: 18-30 VAC
Output: 2 amp maximum
Temperature Setpoint: Fixed, 40°F
Accuracy: ±5°F

Dimension Diagram



Wiring Diagram

