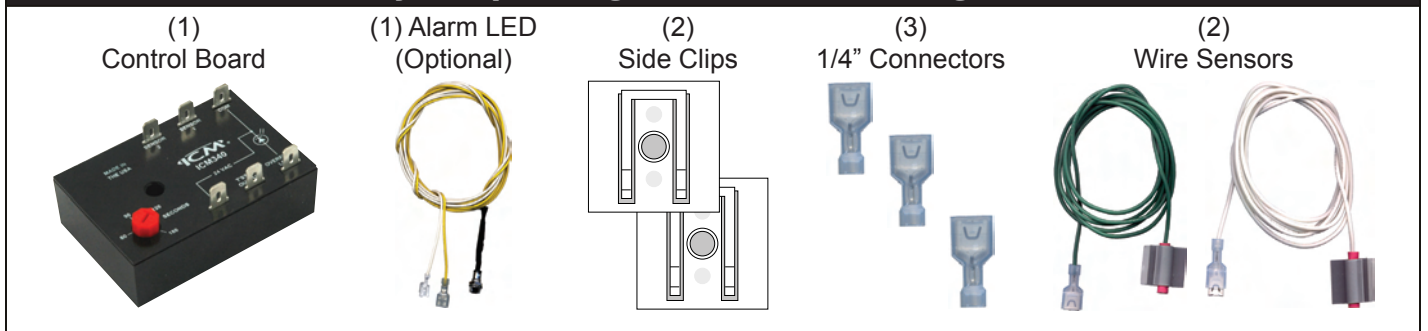


**Check your package for the following contents:**



**Mode of Operation**

When power is applied to the 24 VAC terminal the T'STAT OUTPUT from the control board is energized, supplying a 24 VAC output rated at 2 amps. When the control detects water, the control will begin the user-set time delay of 1-3 minutes. If water is still detected after the time delay is complete, the T'STAT OUTPUT is de-energized and the OVERFLOW LED OUTPUT is energized. If the optional ALARM LED is installed, it will be lit to show that water has been detected. If the optional ALARM LED is not installed, the OVERFLOW LED OUTPUT will provide 24 VAC at 2 amps. When water is no longer detected, the control will re-energize the T'STAT OUTPUT and the time delay will be reset.

**To Test**

Using a jumper wire, jump the white sensor wire to the green sensor wire. Wait the appropriate time delay (user-adjustable from 1-3 minutes). When the time delay is complete, the A/C system should shut down and the OVERFLOW LED output will either turn on the OPTIONAL ALARM LED or provide 24 VAC. If the A/C system does not shut down, recheck the wiring and connections. To reset the time delay, turn off the 24 VAC power supply for 3 seconds or un-jump the sensors. If the problem persists, refer to the troubleshooting section of this instruction sheet.

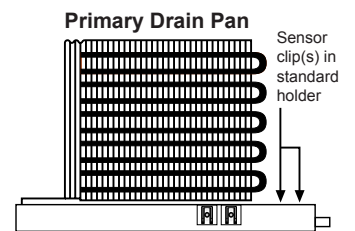
**Before You Begin Wiring**

Install Sensor Assemblies

**Primary Pan Installation**

**Note:** Be sure the pan surface is clean and dry before applying the sensor tabs to provide proper adhesion.

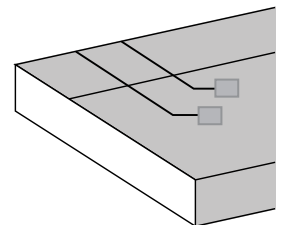
**Primary Pan:** Remove the paper from the tape side of the sensor tabs. Position the sensor tabs at the highest possible point of the pan and firmly press the tape against the inside face of pan. If the drain pan is not level, locate the sensor tabs on the low end of the pan to prevent overflow.



**Secondary Pan Installation**

**Note:** Be sure the pan surface is clean and dry before applying the sensor tabs to provide proper adhesion.

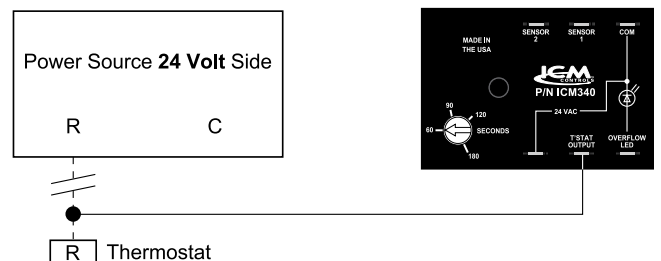
**Standard Application:** To catch primary overflow in its earliest stage, mount the sensor tabs on the inside face of the pan so the sensor tips are 1/4" from the bottom of the pan. You may also apply the sensor tabs to the bottom, low end of the pan. This will ensure the fastest overflow detection.



**Wiring Directions**

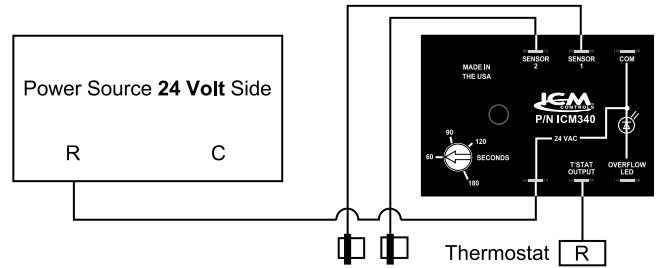
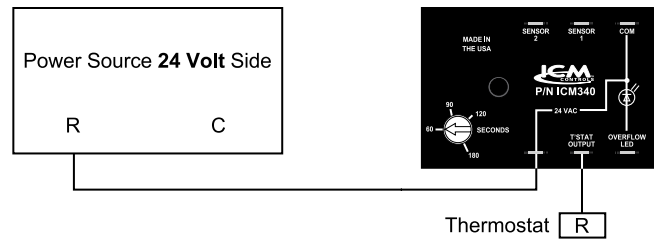
**Note:** Always disconnect power supply before wiring.

1. Disconnect the R wire from the 24 VAC power source that goes to the thermostat and connect it to the thermostat output terminal on the control board. A 1/4" quick connect is provided if needed.



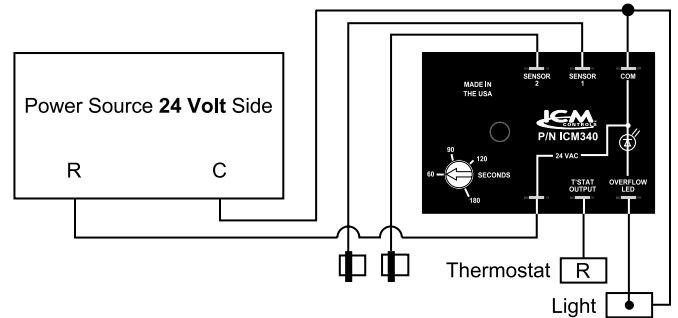
## Wiring Directions (continued)

- Connect the 24 VAC wire from the power source to the 24 VAC terminal on the control board. A 1/4" quick connect is provided if needed.
- Connect the white sensor wire to the Sensor 1 terminal on the control board, and the green sensor wire to the Sensor 2 terminal on the control board.



## With Optional Alarm LED

- Drill a 5/16" hole in the surface where the LED alarm will be mounted. Remove the nut and washer from the LED socket and slide the wires through the hole. Press the LED socket firmly against the surface and secure with the washer and nut. Connect the common wire from the power source to the spade terminal on the white wire of the LED assembly. Then connect the white wire of the LED assembly to the COM terminal of the control. Connect the yellow wire of the LED assembly to the overflow LED terminal of the control.



## Without Optional Alarm LED

- Connect the common wire from the power source to the COM terminal on the control board. Wiring is now complete.

## Troubleshooting

Symptom	Solution
If the A/C system is not working:	<ul style="list-style-type: none"> <li>Clean the drain pan and make sure the drain is working properly</li> <li>Cycle the 24 VAC power to restart the system; the A/C unit should come on</li> <li>Make sure sensors are not shorted to drain pan</li> </ul>
If the A/C system does not come on:	<ul style="list-style-type: none"> <li>Check the transformer or 24 VAC power source; if it is bad, replace it; make sure all parts have a common wire and all wiring connections are connected properly</li> <li>Make sure sensors are not shorted to drain pan</li> </ul>
If the above procedures do not correct the problem:	<ul style="list-style-type: none"> <li>Use a jumper wire to connect the 24 VAC power wire from the power source to the red wire on the water card control board; if the A/C unit does not come on, the ICM340 is OK; check for a problem within the system</li> </ul>

## Alternative Applications

### Termination Drain Pipe

Remove paper backing from both sensor tabs and press together. Place the "double sensor" inside the drain pipe.

