



## Solid State Relay, Overload and Start Capacitor

*For all single-phase commercial and domestic capillary refrigeration systems and freezers!*



**ICM857**  
120V, 145-175 mfd.  
1/12 to 1/5 HP



**ICM858**  
120V, 243-292 mfd.  
1/4 to 1/3 HP



**ICM859**  
120V, 243-292 mfd.  
1/3 to 1/2 HP

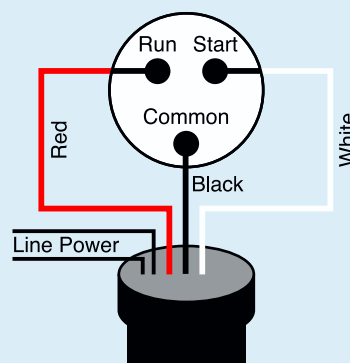
### Mode of Operation

This combination relay, overload and start capacitor comes pre-wired for easy and fast installation. It is designed to be used with compressors having external overload protectors and will replace all 3 of the before-mentioned electrical components on any capillary refrigeration or air conditioning system; commercial, residential, and industrial. When the thermostat closes, the start capacitor is temporarily placed in series with the start windings to provide increased starting torque from the compressor. After compressor start-up, the start capacitor is removed from the system until it is needed again.

### Specifications

- **Operating Voltage: 120V**
- **Maximum Voltage: 180V**
- **Maximum Current: 12A**
- **Retry Time: Within 90 seconds**

### Wiring Diagram



### Ordering Information

ICM P/N	Voltage	Capacitor Size	Overload	HP Rating	Replaces
ICM857	120V	145-175 mfd.	12A	1/12 to 1/5 HP	Supco RCO810
ICM858	120V	243-292 mfd.	22A	1/4 to 1/3 HP	Supco RCO410
ICM859	120V	243-292 mfd.	30A	1/3 to 1/2 HP	Supco RCO210