



The **ICM342** is a low cost condensation sensing control with an integral delay on make timer.

Features

- Condensation sensing for overflow protection
- Alarm output during lockout (N.C.)
- Custom delay on make available (fixed or adjustable)
- Conformally coated for moisture protection

Mode of Operation

Upon application of power the control will initiate the delay on make timer. After the delay expires, the relay will transfer and make between the COM and N.O. terminals as long as the condensate sensor does not detect condensation. If the sensor does detect condensation while the output is energized, the control will make between the COM and N.C. terminals and initiate the delay on make timer. The N.C. terminal can be used as an alarm output to indicate when the load is not energized due to condensation overflow.



Specifications

Input

- Voltage: 18-30 VAC
- Frequency: 50/60 Hz

Output

- Type: Relay
- N.O.: 10 amps @ 120 VAC
- N.C.: 10 amps @ 120 VAC

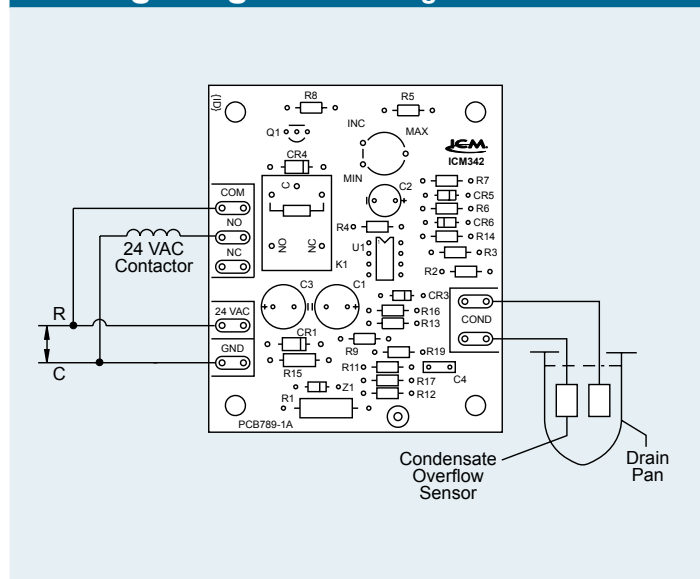
Time Delays

- Delay on make: Custom delay available, fixed or adjustable

Mechanical

- Dimensions: 2.75" x 3.25"
- Mounting: Surface mount using (4) #6 or #8 screws

Wiring Diagram For Ungrounded Drain Pan



Wiring Diagram For Grounded Drain Pan

