

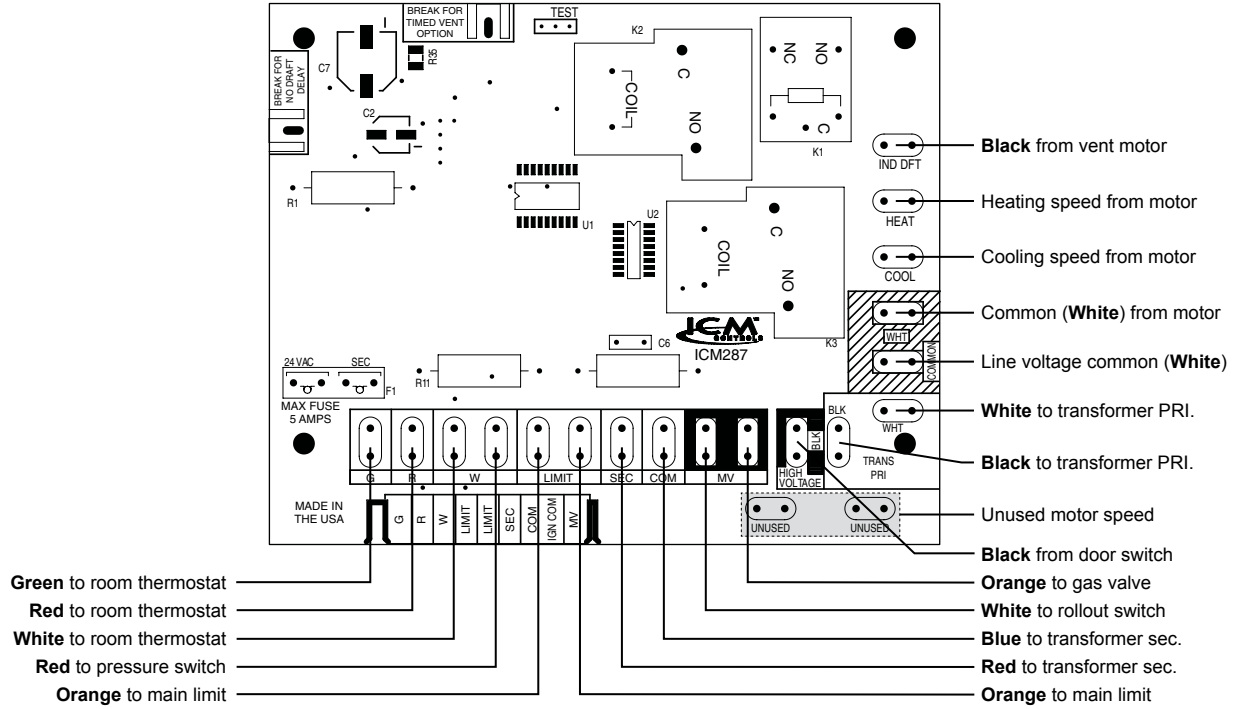
Important Safety Information

- Always turn off power at the main power source by unscrewing fuse or switching circuit breaker to the off position before installing, removing, cleaning, or servicing this thermostat. Failure to do so may result in electrical shock, which can damage equipment and/or cause severe personal injury or death.

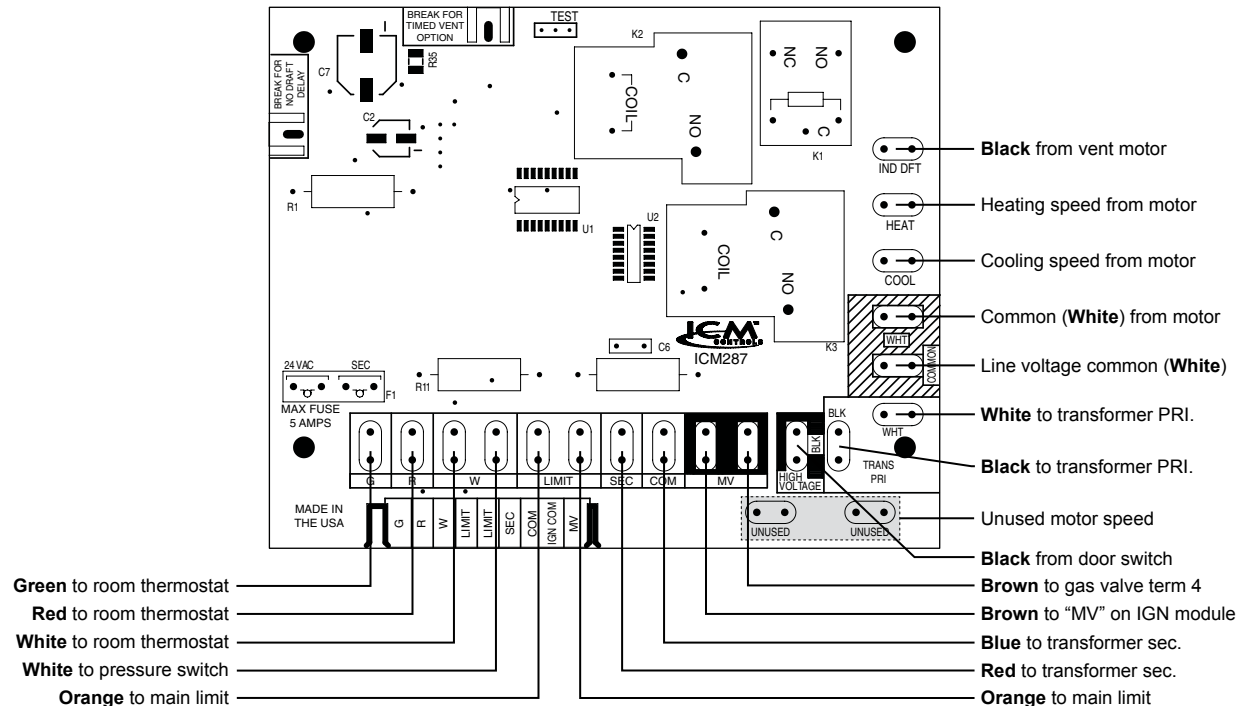
CAUTION: TURN OFF gas at shut-off before working on furnace.

- Read all the information in this instruction guide before installing this control.
- All wiring must conform to local and national building and electrical codes and ordinances.
- This control should be installed by a qualified technician familiar with gas appliances and high voltage.

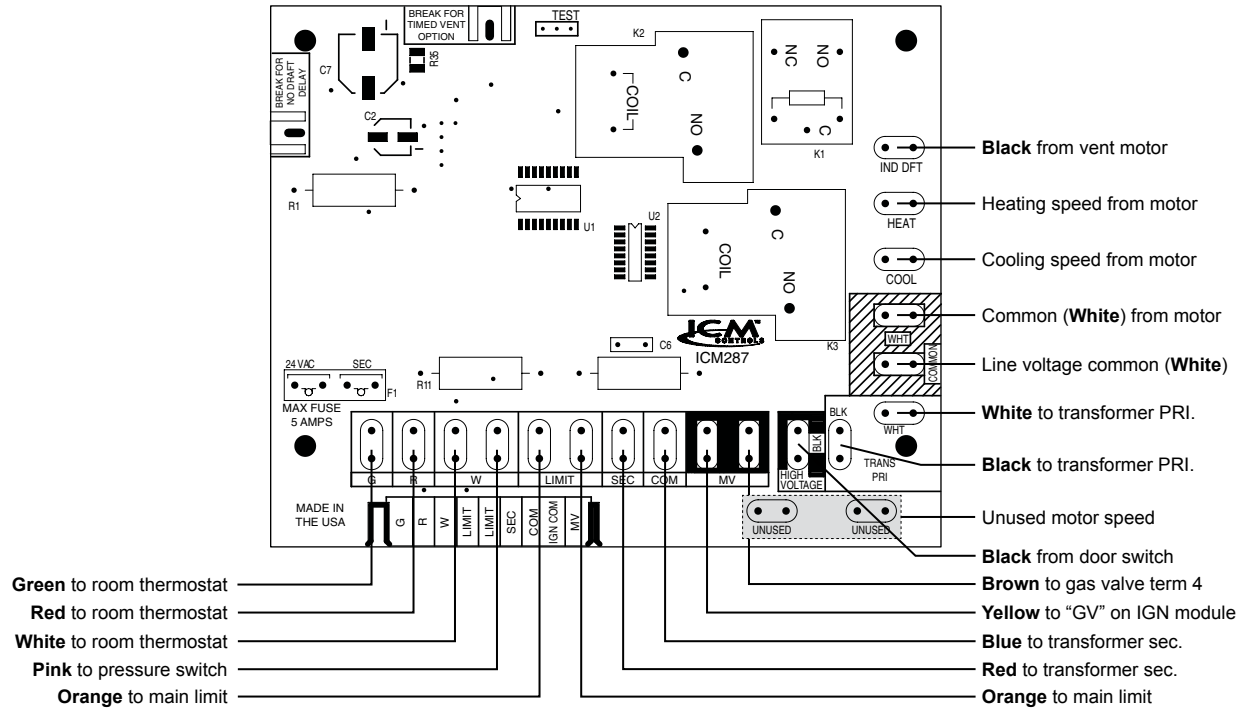
Wiring for **GUPS** and **GDPS** series gas fired furnaces



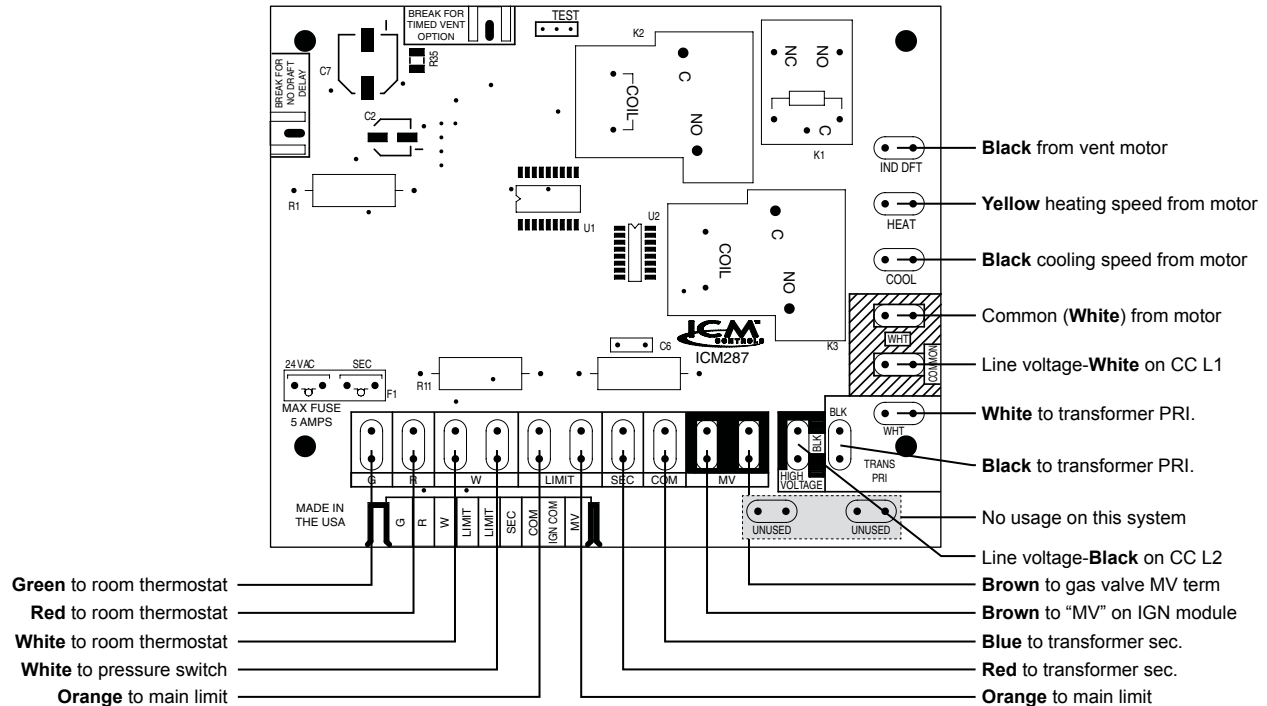
Wiring for **GUN**, **GUPI**, **GUPX**, **GDPI** and **GDPX** series gas fired furnaces



Wiring for **GUS** series gas fired furnaces



Wiring for **PG/PGX** series gas/electric package units



ICM287 Replaces: Goodman B18099-04