

ICM1500 SERIES OIL PRIMARY CONTROL



with 15, 30 or 45 second lockout times

Features

- Controls oil burner, oil valve (if desired) and the ignition transformer in response to a call for heat
- Solid state flame sensing circuit
- LED on terminal strip indicates system lockout
- Enclosed safety switch with external reset button
- Mounts on standard 4 x 4 in. junction box; select models may be mounted directly on burner housing
- C554A Cadmium Sulfide Flame Detector and 24 VAC thermostat required
- Form, fit and functional replacement for popular competitive models



Specifications

Ignition Type

- Intermittent

Timing, Safety Switch

- 15, 30 or 45 seconds

Mounting Bracket

- For mounting on a standard 4" X 4" junction box or direct mounting on burner housing

Electrical Rating; Contacts (full load)

- 7.4 A @ 120 VAC; 3.7 A @ 240 VAC

Electrical Rating; Contacts (locked rotor)

- 44.4 A @ 120 VAC; 22.2 A @ 240 VAC

Dimensions

- 4 3/8 in. high x 4 1/8 in. wide x 2 1/2 in. deep
- 111 mm high x 104 mm wide x 64 mm deep

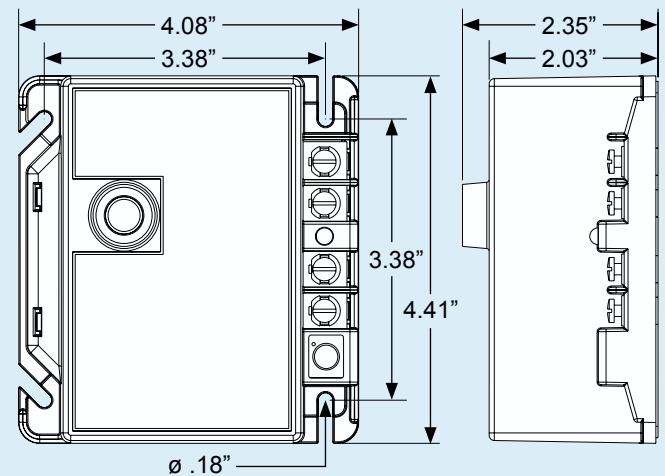
Temperature Range

- -30°F to +130°F

Approvals

- Underwriters Laboratories Inc

Dimensions



ICM1500 Series Cross Reference

Part Number	Safety Timing	Replaces
ICM1501	15 seconds	Honeywell: R8184G4066, R8184G1161, R8184G1294
ICM1502	30 seconds	Honeywell: R8184G4074, R8184G1179, R8184G1302, R8184G4033
ICM1503	45 seconds	Carlin: 48245 Honeywell: R8184G4009, R8184G1138, R8184G1427, R8184G4025 Tempstar/Heil: 1147017 White Rodgers: 668-401