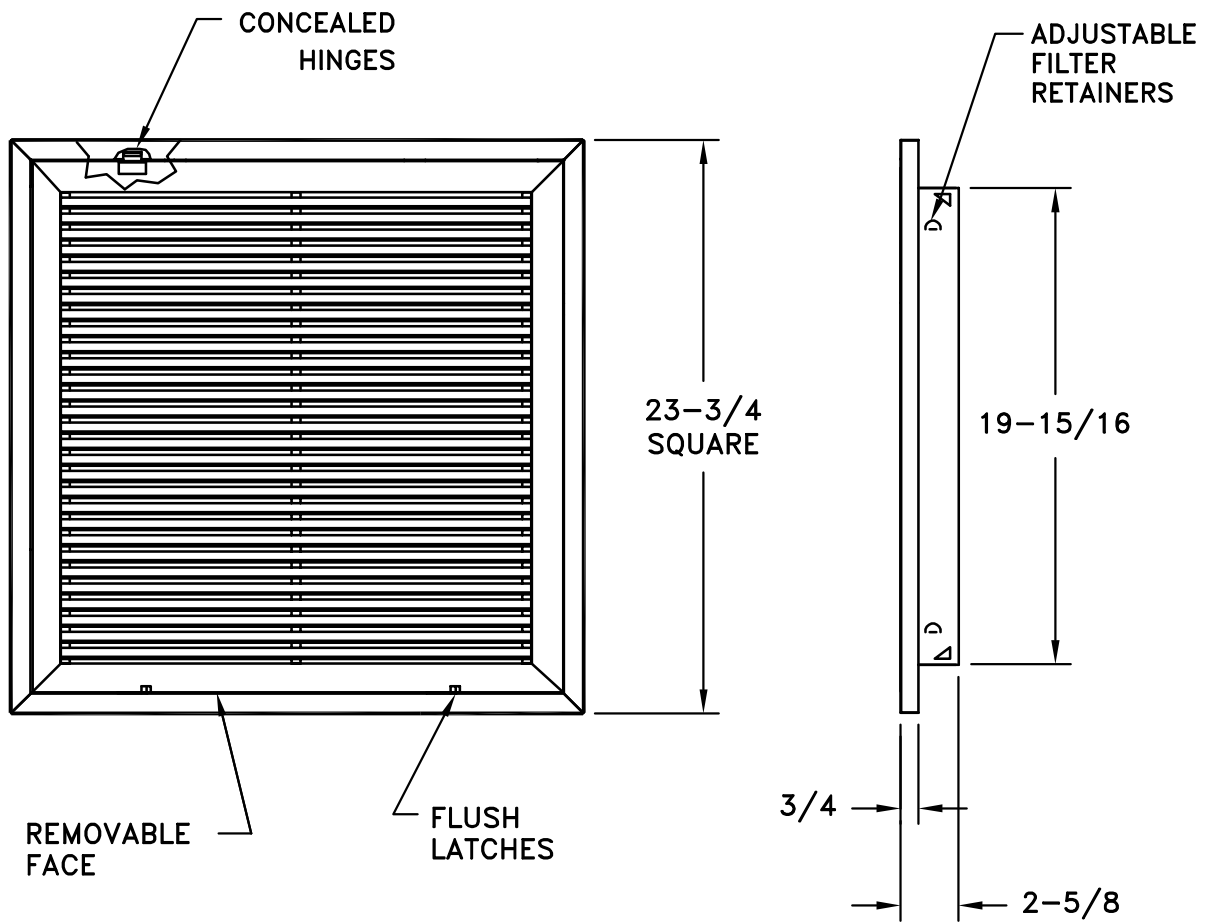


- STEEL CONSTRUCTION
- REMOVABLE FACE WITH CONCEALED HINGES AND FLUSH LATCHES
- 3/4 INCH SPACED FINNS SET AT 35 DEGREES
- USES NOMINAL 1 x 20 x 20 INCH DISPOSABLE FILTERS
- EQUIPPED WITH FILTER RETAINERS
- FINISH: WHITE (W) ENAMEL



JOB NAME: _____	SUBMITTED BY: _____	DATE: 06/27/2013	SD-9410
LOCATION: _____		<b>96AFB T</b>	
ARCHITECT: _____		Steel 2 x 2 T-Bar	
ENGINEER: _____		Fixed Bar Filter Grille	
CONTRACTOR: _____			