

RSG13**S1M

SPECIFICATIONS

Refrigerant System

- R410a Refrigerant
- High-quality condenser coil with copper tubing and enhanced louvered fin for maximum heat transfer capacity
- Top discharge directs hot air away from living area and shrubbery
- All units factory run tested
- Easy access to electrical panels
- Corner mounted service valves for easy hook-up and service
- Liquid line filter drier shipped loose
- Charged for 15 feet of interconnecting tubing
- All units ETL and ETL approved and AHRI certified

SPLIT AIR CONDITIONER SYSTEM

13 SEER



For the latest AHRI system matches,
please visit www.marsdeliversratings.com
or AHRIdirectory.com

Comfort-Cire[®]

Warranty—12 years on compressor, 6 years on parts
(Some limitations apply; see printed warranty for details.)

www.marsdelivers.com

MODEL NUMBER GUIDE

R	S	G	13	24	S	1	M
Residential Condenser	Split System	'Green' Gas R-410A	SEER 13, 14, 16	Capacity BTUH x 1000	S = Scroll Compressor	Power 1 = 208/230-1-60	Series/ Revision

ELECTRICAL AND PHYSICAL DATA

Model	Voltage/ Hz/ Phase	Voltage Range	Min. Circuit (Amps)	Max. Fuse (Amps) ¹	Compressor		Fan Motor			Refrig. Charge (oz.) ²	Weight (lbs.)	
					Rated Load (Amps)	Locked Rotor (Amps)	Full Load (Amps)	Rated HP	Nom. RPM		Louvered	
RSG1318	208-230/60/1	197-253	10.9	15	8.1	39	0.7	1/10	1010	62	136	
RSG1324	208-230/60/1	197-253	14.1	20	10.7	53	0.7	1/10	1010	63	137	
RSG1330	208-230/60/1	197-253	15.6	25	11.6	59	1.1	1/5	1090	82	147	
RSG1330-1	208-230/60/1	197-253	17.1	25	12.8	68	1.1	1/5	1090	82	147	
RSG1336	208-230/60/1	197-253	20.1	35	15.2	70	1.1	1/5	1090	84	149	
RSG1336-1	208-230/60/1	197-253	20.4	35	15.4	84	1.1	1/5	1090	84	149	
RSG1342	208-230/60/1	197-253	28.1	45	21.1	90	1.7	1/4	825	104	194	
RSG1342-1	208-230/60/1	197-253	25.7	40	19.2	124	1.7	1/4	825	104	194	
RSG1348	208-230/60/1	197-253	31.9	50	24.1	100	1.7	1/4	825	124	192	
RSG1360	208-230/60/1	197-253	29.4	60	22.1	120	1.7	1/4	830	144	205	

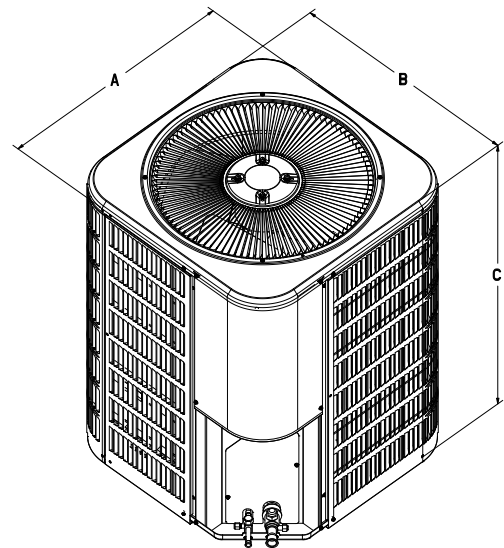
¹ Overcurrent protection device

² Factory charge adequate for 15 feet of line set. Adjust per Installation Instructions.

UNIT DIMENSIONS & SOUND RATINGS

Note: Dimensions listed are unit sizes w/o packaging

Model	Dimensions			Sound Ratings (dBa)
	A - width (in.)	B - depth (in.)	C - height (in.)	
RSG1318	24-1/4	24-1/4	25	74
RSG1324	24-1/4	24-1/4	25	74
RSG1330	24-1/4	24-1/4	29	74
RSG1336	24-1/4	24-1/4	29	74
RSG1342	28-1/4	28-1/4	29	79
RSG1348	28-1/4	28-1/4	33	79
RSG1360	28-1/4	28-1/4	29	80



REFRIGERANT CONNECTION SIZES

Model	Refrigerant Connection	
	Suction	Liquid
RSG1318	5/8"	3/8"
RSG1324	5/8"	3/8"
RSG1330	3/4"	3/8"
RSG1336	3/4"	3/8"
RSG1342	3/4"	3/8"
RSG1348	7/8"	3/8"
RSG1360	7/8"	3/8"

Comfort-Cire®

PERFORMANCE WITH AIR HANDLERS

Outdoor Model	Indoor Model	Cooling			
	Evap. Coil Air Handlers ¹	SEER	EER	AHRI Capacity ²	AHRI Reference Numbers
RSG1318S1M	HMG24F1M	13	11	17,600	201925008
	HMG24X1M	14	11	17,600	201925010
	HMG24V1M	14	11	18,000	201925009
	HMG24F1P	13	11	18,000	202833088
	HMG24X1P	14	12	18,000	202822068
	HCG24V1P	14	12	18,000	202833103
RSG1324S1M	HMG24F1M	13	11	22,800	201925012
	HCG24V1M	14	11	23,000	201925013
	HMC30X1M	14	11	22,800	201925014
	HMG24F1P	13	11	23,000	202833089
	HMG30F1P	13	11	23,000	202833090
	HMG24X1P	14	12	23,000	202833095
	HMG30X1P	13	11	23,000	204118576
	HCG24V1P	14	12	23,000	202833104
	HCG30V1P	14	12	23,000	202833105
RSG1330S1M	HMG30F1M	13	11	28,000	201925016
	HMG30X1M	14	11	28,000	201925017
	HCG36V1M	14	11	29,000	201925018
	HMG36F1P	13	11	28,000	202833091
	HMG30X1P	14	11	28,000	202833096
	HMG36X1P	14	11	28,000	202833097
	HCG30V1P	14	11	28,000	202833106
	HCG36V1P	14	12	28,000	202833107
RSG1336S1M	HMG36F1M	13	10.5	34,000	201925020
	HMG36X1M	14	11	34,000	201925021
	HCG36V1M	13.5	11	34,000	201925022
	HMG42F1P	13	10.5	34,200	202833092
	HMG36X1P	13	11	35,000	202833098
	HCG36V1P	13	11	34,200	202833108
	HCG42V1P	13	11	35,000	202833115
RSG1342S1M	HMG42F1M	13	11	40,000	201925024
	HMG42X1M	14	11	40,000	201925025
	HMG42V1M	14	11	40,000	201925026
	HMG42X1P	13	11	42,000	202833099
	HCG42V1P	13	11	42,000	202833109
	HCG48V1P	14	12	42,000	202833110
RSG1348S1M	HMG48F1M	13	11	47,000	201925028
	HMG48X1M	14	11	47,000	201925029
	HCG48V1M	14	11	47,000	201925030
	HMG48X1P	13	11	48,000	204118577
	HCG48V1P	13	11	48,000	204118578
RSG1360S1M	HMG60F1M	13	11	56,000	201925032
	HMG60X1M	13.5	11	56,000	201925033
	HCG60V1M	13.5	11	57,000	201925034
	HMG60F1P	13	11	58,000	202833093
	HMG60X1P	13	11	58,000	202833102
	HCG60V1P	13	10.5	58,000	202833113

Note: ¹ A blower time delay relay is required to achieve AHRI rating. This feature is standard on all furnaces and AH products
² Certified in accordance with Unitary Air Conditioner Certification Program, which is based on AHRI Standard 210/240

ACCESSORIES

DESCRIPTION	WHERE USED	CATALOG NUMBER
Crankcase Heater	18, 24, 30, 36	93M04
Crankcase Heater	42, 48, 60	93M05
Hard Start Kit	18	10J42
Hard Start kit	24, 30, 36, 42, 48, 60	88M91
Compressor Low Ambient Kit	18, 24, 30, 36, 42, 48, 60	34M72
Sound Blanket	18, 24, 30, 36	14W00
	42, 48, 60	14W01
Short Cycle Protector	18, 24, 30, 36, 42, 48, 60	47J27
Freezestat	3/8" tubing	93G35
Freezestat	5/8" tubing	50A93
Time Delay Relay	18, 24, 30, 36, 42, 48, 60	58M81
Loss of Charge Kit	18, 24, 30, 36, 42, 48, 60	84M23
TXV Kit	18 - 30	H4TXV01
TXV Kit	36 - 48	H4TXV02
TXV Kit	60	H4TXV03
TXV Kit	18 - 36	4200
TXV Kit	42 - 60	4202



"This product complies with all California product labeling laws including, but not limited to, the Safe Drinking Water and Toxic Enforcement Act of 1986, more commonly known as Proposition 65."

Due to ongoing product improvements, specifications and dimensions are subject to change and correction without notice or incurring obligations. Determining the application and suitability for use of any product is the responsibility of the installer. Additionally, the installer is responsible for verifying dimensional data on the actual product prior to beginning any installation preparations.

Third party incentive and rebate programs have precise requirements as to product performance and certification. All products meet applicable regulations in effect on date of manufacture; however, certifications are not necessarily granted for the life of a product. Therefore, it is the responsibility of the applicant to determine whether a specific model qualifies for these incentive/rebate programs.