

GUH96T

SPECIFICATIONS

Configurations

- Upflow / Horizontal

Heat Exchanger Design

- Aluminized steel primary heat exchanger with crimped non-welded construction
- AL 29-4c stainless steel secondary heat exchanger

Cabinet Design

- Compact 33" height
- Standardized widths for easy coil fit
- Unitized construction for cabinet integrity
- Heat exchanger compartment is insulated to increase efficiency and reduce sound levels
- Baked on pre painted steel cabinet finish

Air Delivery System

- Efficient ECM variable speed blower motor
- Motor features "soft start" and "soft stop" for quiet operation
- Active and passive dehumidification feature
- Easily removable slide-out blower design
- Dynamically balanced blower wheel with resilient motor mounts for smooth and quiet operation

Controls

- Two stage gas valve
- Integrated ignition and fan control
- Control board retains last five (5) fault codes with push button memory recall, regardless of power interruption
- Hot surface ignition system uses silicon nitride ignitor
- Control features 120 volt electronic air cleaner and humidifier terminals
- Control circuit is fuse protected
- Color coded control wiring
- Compatible with single or two stage thermostats for heating.
- Two stage thermostat is recommended when installed with two stage cooling unit.

Venting

- 2-speed induced draft motor with stainless steel shaft, steel ball bearings, and fan cooled for long life
- Certified for direct vent (2-pipe) or non-direct (1-pipe) applications

Installation Features

- Left or right gas and electric entry
- Zero step horizontal conversion
- Removable floor base (upflow/horizontal units) for bottom return air

Comfort-Aire®

TWO STAGE VARIABLE SPEED GAS FURNACE

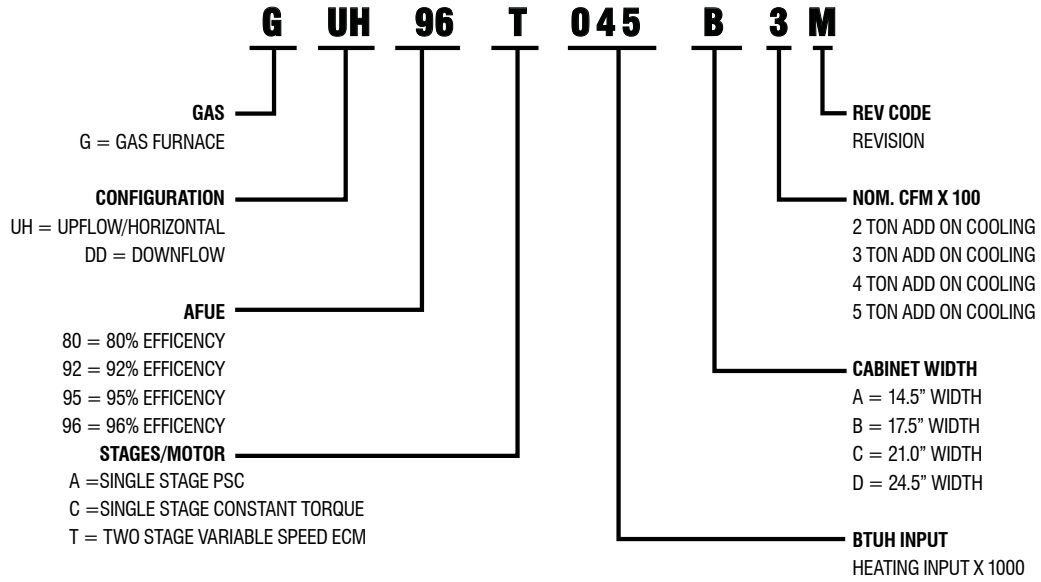
96%



Warranty—20 years on heat exchanger, 6 years on parts
(Some limitations apply; see printed warranty for details.)

www.comfort-aire.com

MODEL NUMBER GUIDE



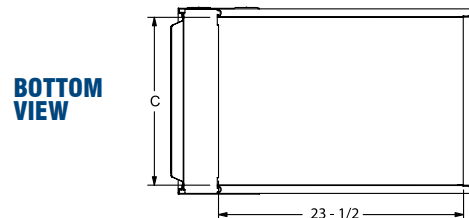
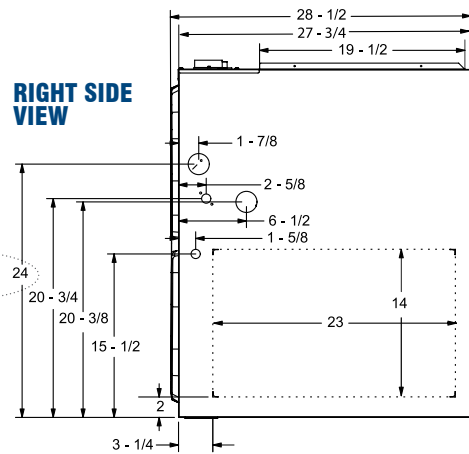
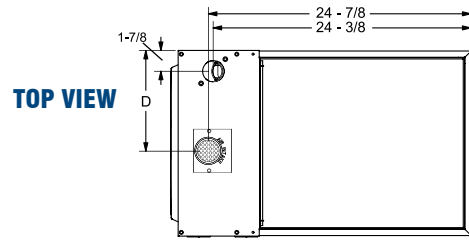
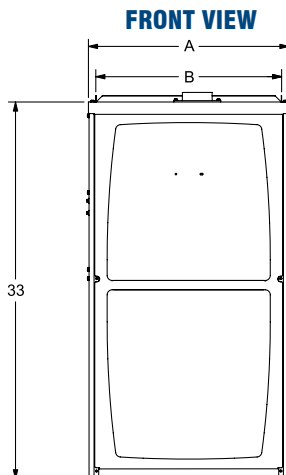
FILTER REQUIREMENT DATA

Airflow Descriptor	Disposable Filters	Cleanable Filters
	Minimum Area (sq. in.)	Minimum Area (sq. in.)
12	576	288
16	768	384
20	960	480

- The Airflow Descriptor is the two digits following the "B", "C", or "D" in the model number; e.g. "20" is the Airflow Descriptor.
- Areas shown for permanent filters are based on filters rated at 600 feet per minute face velocity.

DIMENSIONS (IN.)

Model		A	B	C	D
UPFLOW/HORIZONTAL	GUH96T045B3M	17-1/2	16-3/8	16	7-5/8
	GUH96T070B3M	17-1/2	16-3/8	16	7-5/8
	GUH96T090C3M	21	19-7/8	19-1/2	9-3/8
	GUH96T090C5M	21	19-7/8	19-1/2	9-3/8
	GUH96T110C5M	21	19-7/8	19-1/2	9-3/8
	GUH96T135D5M	24-1/2	23-3/8	23	11-1/8



BLOWER PERFORMANCE DATA (UPFLOW/HORIZONTAL)

Model	Motor Size (hp)	Blower Size	Heating Temp Rise (F°)	Heating CFM @ .10" - .80" w.c.				Cooling Stage	Cooling CFM @ .10" - .80" w.c.				Speed Adjust
				Setting "D"	Setting "C"	Setting "B"	Setting "A"		Setting "D"	Setting "C"	Setting "B"	Setting "A"	
GUH96T045B3M	1/2	10 x 9	35-65 High Fire	745	875	990	1005	2nd Stage	905	1075	1210	1370	+
				685	765	895	910		815	980	1120	1255	Norm
				610	695	785	810		720	885	1020	1135	-
			20-50 Low Fire	685	765	895	910	1st Stage	595	760	865	980	+
				620	705	800	820		540	660	785	890	Norm
				545	625	715	725		485	600	695	790	-
GUH96T070B3M	1/2	10 x 9	50-80 High Fire	965	1130	1255	1400	2nd Stage	860	1060	1215	1365	+
				880	990	1140	1295		810	960	1130	1265	Norm
				810	890	1030	1170		705	840	1005	1140	-
			25-55 Low Fire	940	1070	1195	1345	1st Stage	600	740	840	970	+
				830	965	1100	1235		555	665	770	855	Norm
				755	840	975	1130		500	600	680	790	-
GUH96T090C3M	1/2	10 x 9	60-90 High Fire	1060	1135	1240	1430	2nd Stage	875	1040	1210	1360	+
				960	1040	1120	1310		800	945	1100	1245	Norm
				830	935	980	1175		720	840	970	1115	-
			30-60 Low Fire	960	1040	1120	1310	1st Stage	625	710	830	950	+
				875	945	995	1195		565	670	760	860	Norm
				790	840	920	1080		520	610	685	785	-
GUH96T090C5M	1	11 x 11	40-70 High Fire	1450	1565	1725	1865	2nd Stage	1385	1595	1820	2020	+
				1310	1450	1585	1690		1225	1465	1645	1885	Norm
				1155	1305	1450	1545		1065	1320	1504	1675	-
			25-55 Low Fire	1120	1265	1420	1520	1st Stage	935	1055	1275	1465	+
				965	1120	1285	1395		835	980	1120	1335	Norm
				865	950	1120	1235		740	870	1010	1150	-
GUH96T110C5M	1	11 x 11	45-75 High Fire	1560	1760	1905	2080	2nd Stage	1310	1560	1745	1955	+
				1415	1610	1740	1930		1220	1405	1570	1795	Norm
				1285	1485	1560	1745		1075	1270	1430	1635	-
			35-65 Low Fire	1155	1325	1420	1565	1st Stage	935	1065	1245	1405	+
				1055	1200	1310	1480		865	970	1145	1280	Norm
				935	1075	1170	1315		790	890	1025	1165	-
GUH96T135D5M	1	11 x 11	45-75 High Fire	1560	1760	1905	2080	2nd Stage	1310	1560	1745	1955	+
				1415	1610	1740	1930		1220	1405	1570	1795	Norm
				1285	1485	1560	1745		1075	1270	1430	1635	-
			35-65 Low Fire	1155	1325	1420	1565	1st Stage	935	1065	1245	1405	+
				1055	1200	1310	1480		865	970	1145	1280	Norm
				935	1075	1170	1315		790	890	1025	1165	-

PHYSICAL AND ELECTRICAL DATA

Model	1st Stage		2nd Stage		AFUE (ICS)	Nominal* Cooling Capacity (tons)	Gas Inlet (in.)	Volts/ Hertz/ Phase	Min. Time Delay Breaker or Fuse	Nominal F.L.A.	Trans. (V.A.)	Approx. Shipping Weight (lbs.)
	Input (Btuh)	Output * (Btuh)	Input (Btuh)	Output * (Btuh)								
UPFLOW / HORIZONTAL GUH96T045B3M	29,000	28,000	44,000	42,000	96.0	3	1/2	120-60-1	15	7.7	40	130
GUH96T070B3M	43,000	41,000	66,000	62,000	96.0	3	1/2	120-60-1	15	7.7	40	138
GUH96T090C3M	57,000	55,000	88,000	84,000	96.0	3	1/2	120-60-1	15	7.7	40	154
GUH96T090C5M	57,000	55,000	88,000	85,000	96.0	5	1/2	120-60-1	20	12.8	40	166
GUH96T110C5M	72,000	70,000	110,000	105,000	96.0	4	1/2	120-60-1	15	12.8	40	173
GUH96T135D5M	88,000	84,000	132,000	126,000	96.0	5	1/2	120-60-1	20	12.8	40	188

Note: For vent length and clearances to combustibles, please reference installation instructions.

* At full capacity

ACCESSORY LIST

CATALOG NUMBER	DESCRIPTION
External Filter Rack Kits	
1.841018	1 pack (16 x 25)
1.841039	10 pack (16 x 25)
Natural to LP Kits	
11K48	2-Stage - 90
11K47	High Altitude 2-Stage (>4500ft.)
Return Air Base	
68W62	17.5" B Width
68W63	21.0" C Width
68W64	24.5" D Width
Night Service Kits	
89W50	Two Stage
Horizontal Suspension Kit	
51W10	80% & 90% Kit
Flush Mount Termination (90% Furnaces only) US Only	
51W11	2" & 3" Vent Version
Concentric Vent Kit (90% Furnaces only) US Only	
71M80	1-1/2" Vent Version
69M29	2" Vent Version
60L46	3" Vent Version
Concentric Vent Kit (90% Furnaces only) Canada	
44W92	1-1/2" and 2" Vent Version
44W93	3" Vent Version

For vent length and clearances to combustibles, please reference installation instructions.

"This product complies with all California product labeling laws including, but not limited to, the Safe Drinking Water and Toxic Enforcement Act of 1986, more commonly known as Proposition 65."

Due to ongoing product improvements, specifications and dimensions are subject to change and correction without notice or incurring obligations. Determining the application and suitability for use of any product is the responsibility of the installer. Additionally, the installer is responsible for verifying dimensional data on the actual product prior to beginning any installation preparations. Third party incentive and rebate programs have precise requirements as to product performance and certification. All products meet applicable regulations in effect on date of manufacture; however, certifications are not necessarily granted for the life of a product. Therefore, it is the responsibility of the applicant to determine whether a specific model qualifies for these incentive/rebate programs.