



HART **COOLEY**[®]
install confidence.

Model TLC
All Fuel Chimney
Edition 7



- Contact your customer service representative or territory sales manager for pricing and availability.
- Free freight when your total spend is a minimum of \$3500.*

Thousands of HVAC products ready to ship.



heatfab.



Residential Vent & Chimney

Vent:

Standard efficiency b-vent, high efficiency polypropylene, special gas vent for condensing, near-condensing, and non-condensing vent systems. Stock residential diameters and system components available in 3" – 14". Additional sizes available up to 30". Direct vent systems also available. Premium quality materials and designs backed by UL standards.

Chimney:

All fuel chimney systems for venting wood, coal, oil, or gas. Available in residential diameters 4" – 8". Additional sizes available up to 24". Pellet venting systems for gas, wood pellet, and bio-fuels. Stainless steel inner and outer materials. Variety of installer friendly components backed by UL standards.

Chimney Liner:

Aluminum and stainless steel. Lengths available up to 50'. Standard diameters available up to 8". Variety of installer friendly components backed by UL standards.



Grilles, Registers, & Diffusers

A full line for residential and commercial applications. Offered in steel, aluminum and plastic. Many sizes in stock for quick shipment.



Flexible Air Duct

Flexible air duct systems UL Greenguard Gold certified for residential and commercial applications. Complete line of R-4.2, R-6.0, and R-8.0 available in many outer jacket and core combinations from 3" - 24" diameters and 25' - 50' lengths. Flexible aluminum, duct, duct sleeves and uninsulated flex duct also available.

MILCOR.

Interior Access Doors

Access Doors – High quality and affordable interior access doors for all types of requirements. In stock or custom.



Roof Top Products

New construction and retrofit drain systems, flashings, expansion joint covers, equipment rails and curbs, duct supports and pipe mounting pedestals. In stock, or made to order.

WARD®

Duct Components

Components and accessories for the residential and commercial HVAC and sheet metal industries including flange, rail, corners, hangers & strapping, and duct access doors.



Filters

A complete line of Multi-Pleat or Commercial & Industrial Disposable panel filters, available in fiberglass and polyester.

*Some restrictions may apply.

MODEL TLC ALL-FUEL CHIMNEY

| | | | |
|--|----|---|----|
| INTRODUCTION | 2 | FLASHINGS AND STORM COLLARS | |
| STAINLESS STEEL CHIMNEY LENGTHS | | ROOF FLASHING SELECTION CHART | 13 |
| CHIMNEY SECTIONS | 3 | ADJUSTABLE FLASHING ASSEMBLY | 13 |
| STAINLESS STEEL LOCKING BANDS | 3 | TALL CONE FLASHING..... | 13 |
| STAINLESS STEEL ELBOWS AND TEES | | RUBBER BOOT FLASHING KIT | 14 |
| CHIMNEY OFFSET CHARTS..... | 4 | STORM COLLAR | 14 |
| INSULATED 15° AND 30° ELBOW KITS | 6 | SILICONE SEALANT FOR STORM COLLAR..... | 14 |
| INSULATED TEE WITH TEE CAP | 7 | RAIN CAPS | |
| INSULATED TEE CAP | 7 | RAIN CAPS | 15 |
| SUPPORTS | | SPARK ARRESTERS | 15 |
| ADJUSTABLE WALL SUPPORT | 8 | PARTS AND ACCESSORIES | |
| ADJUSTABLE INTERMEDIATE WALL SUPPORT ... | 8 | WALL BAND..... | 16 |
| CEILING SUPPORTS..... | 9 | ADJUSTABLE CEILING PLATE | 16 |
| CATHEDRAL CEILING SUPPORT BOX..... | 9 | STOVEPIPE ADAPTER..... | 17 |
| ADJUSTABLE ROOF SUPPORTS..... | 10 | SOFFIT PLATE..... | 17 |
| SHIELDS | | MATTE BLACK TRIM COLLAR | 17 |
| ATTIC INSULATION SHIELD..... | 11 | ADJUSTABLE UNIVERSAL ROOF GUY KIT | 18 |
| FIRESTOP RADIATION SHIELD | 11 | SHIELDING INSULATION WRAP..... | 18 |
| FIRESTOP/JOIST SHIELD | 11 | ANCHOR PLATE | 18 |
| RAFTER RADIATION SHIELD | 12 | TYPICAL INSTALLATIONS | |
| BLACK WALL THIMBLE..... | 12 | DECORATOR CEILING SUPPORT INSTALLATIONS... .. | 19 |
| | | WALL SUPPORT INSTALLATION | 19 |
| | | CATHEDRAL SUPPORT INSTALLATION | 19 |
| | | LIMITED LIFETIME WARRANTY | 20 |

Introduction

MODEL TLC ALL-FUEL CHIMNEY

Model TLC All-Fuel Chimney offers current technology in factory-built chimney design by providing superior performance, durability and safety.

Certification & Applications

Model TLC is safety-tested and listed to applicable UL safety standards for chimneys serving solid-fuel and liquid-fuel appliances. This includes UL 103.



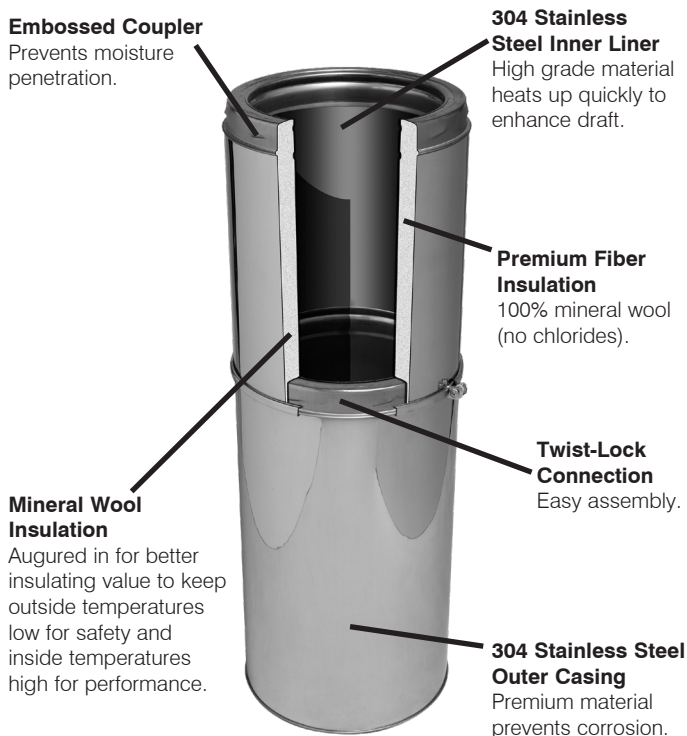
This chimney system is designed for use on appliances that use solid, liquid or gas fuels under natural draft conditions.

Allowable flue gas temperatures are:

| | Type HT 5" to 8" | Non-HT 10" to 14" |
|-----------------------------|---------------------|----------------------|
| Maximum Continuous | 1000°F | 1000°F |
| Brief Forced Firing (1 hr.) | 1400°F | 1400°F |
| Creosote Burn-Out (10 min.) | 2100°F | 1700°F |

Lifetime Warranty

See the written lifetime warranty for all chimney components on page 20.



Enhanced Features

Model TLC is extremely corrosion-resistant. Both the inner liner and outer casings are constructed of 304 stainless steel. Embossed couplers do not allow moisture to penetrate the chimney's outer wall. Sections simply twist-lock together and are secured with Locking Bands. The Model TLC product line features deluxe chimney support components that will enhance any installation. Black trims are used to embellish the chimney support component parts that may be installed inside the home.

Supports

All Model TLC supports are designed to carry four times the UL-listed weight of the listed height.

Construction

Sizes: 5" to 14"

Inner Liner (Flue): 5" to 8" - Inner and Outer 0.016"

Outer Casing: 10" to 14" - Inner and Outer 0.015"

Insulation: The 1" space between the inner/outer walls is packed with mineral wool fiber insulation to provide superior insulating qualities in a slim-line design.

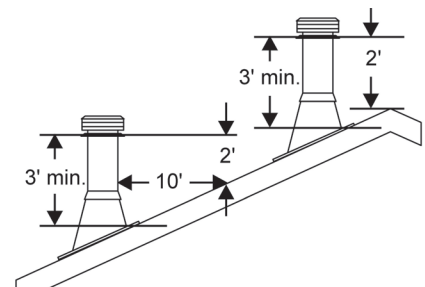
Airspace

Clearance to

Combustibles: 2"

Height Requirements

The chimney must extend at least three feet above the highest point where it passes through the roof surface and at least two feet higher than any part of the building within a horizontal distance of ten feet.

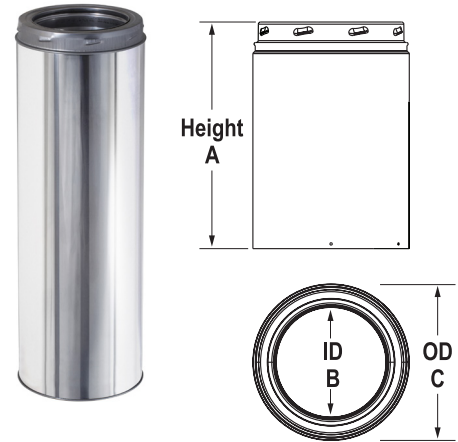


Stainless Steel Chimney Lengths



Chimney Lengths

- Slim, advanced design allows for installation between 16" centers and still provides 2" clearance from combustible material.
- Secure twist-lock design couples chimney sections together with just a 1/8 turn. Locking bands secure joints.
- Includes locking band.
- 5" - 8" sections overlap by 1 1/8", 10" - 14" sections overlap by 1 1/4".
- Chimneys are sized according to the inner diameter and are available in 5" through 14".
- The outside diameter is 2" larger than the inside diameter.



| Model Number | Size | Dimensions | | |
|--------------|------|------------|------|------|
| | | Ht A | ID B | OD C |
| 5TLC36 | 5" | 36" | 5" | 7" |
| 5TLC24 | | 24" | 5" | 7" |
| 5TLC18 | | 18" | 5" | 7" |
| 5TLC12 | | 12" | 5" | 7" |
| 5TLC6 | | 6" | 5" | 7" |
| 6TLC48 | 6" | 48" | 6" | 8" |
| 6TLC36 | | 36" | 6" | 8" |
| 6TLC24 | | 24" | 6" | 8" |
| 6TLC18 | | 18" | 6" | 8" |
| 6TLC12 | | 12" | 6" | 8" |
| 6TLC6 | | 6" | 6" | 8" |
| 7TLC48 | 7" | 48" | 7" | 9" |
| 7TLC36 | | 36" | 7" | 9" |
| 7TLC24 | | 24" | 7" | 9" |
| 7TLC18 | | 18" | 7" | 9" |
| 7TLC12 | | 12" | 7" | 9" |
| 7TLC6 | | 6" | 7" | 9" |
| 8TLC48 | 8" | 48" | 8" | 10" |
| 8TLC36 | | 36" | 8" | 10" |
| 8TLC24 | | 24" | 8" | 10" |
| 8TLC18 | | 18" | 8" | 10" |
| 8TLC12 | | 12" | 8" | 10" |
| 8TLC6 | | 6" | 8" | 10" |

| Model Number | Size | Dimensions | | |
|--------------|------|------------|------|------|
| | | Ht A | ID B | OD C |
| 10TLC36 | 10" | 36" | 10" | 12" |
| 10TLC24 | | 24" | 10" | 12" |
| 10TLC18 | | 18" | 10" | 12" |
| 10TLC12 | | 12" | 10" | 12" |
| 10TLC9 | | 9" | 10" | 12" |
| 10TLC6 | | 6" | 10" | 12" |
| 12TLC36 | 12" | 36" | 12" | 14" |
| 12TLC24 | | 24" | 12" | 14" |
| 12TLC18 | | 18" | 12" | 14" |
| 12TLC12 | | 12" | 12" | 14" |
| 12TLC9 | | 9" | 12" | 14" |
| 12TLC6 | | 6" | 12" | 14" |
| 14TLC36 | 14" | 36" | 14" | 16" |
| 14TLC24 | | 24" | 14" | 16" |
| 14TLC18 | | 18" | 14" | 16" |
| 14TLC12 | | 12" | 14" | 16" |
| 14TLC9 | | 9" | 14" | 16" |
| 14TLC6 | | 6" | 14" | 16" |

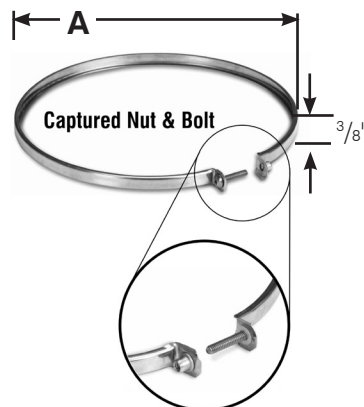
Adjustable Chimney Lengths

- Used to adjust the system to an exact overall length
- Used between elbows for a required offset distance
- All stainless construction with telescoping design
- Locking band included
- Length adjusts from 2" - 9 1/2"
- 5", 6", 7" & 8" Sizes

| Model Number | Size | Dimensions | | |
|--------------|------|------------|------|--------|
| | | Ht A | ID B | OD C |
| 5TLCAL12 | 5" | 12" | 5" | 7.31" |
| 6TLCAL12 | 6" | 12" | 6" | 8.31" |
| 7TLCAL12 | 7" | 12" | 7" | 9.31" |
| 8TLCAL12 | 8" | 12" | 8" | 10.31" |

Stainless Steel Locking Bands

- Locking bands are used at all joints for safety and stability.
- Locking band flanges engage the curl in each end of the adjoining sections, holding them securely together.

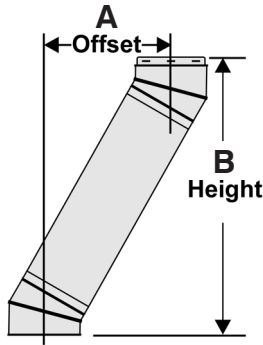


| Model Number | Size | Dimension |
|--------------|------|-----------|
| | | A |
| 5TLCLB | 5" | 7" |
| 6TLCLB | 6" | 8" |
| 7TLCLB | 7" | 9" |
| 8TLCLB | 8" | 10" |
| 10TLCLB | 10" | 12" |
| 12TLCLB | 12" | 14" |
| 14TLCLB | 14" | 16" |

Chimney Offset Charts

It may be necessary to offset the chimney in order to clear a joist or an obstacle. The two (2) charts on the following page will assist you in selecting the proper combination of elbow angle and chimney length(s) that will provide the necessary degree of offset within an available height.

1. Select the column with the proper chimney diameter of your system.
2. Determine the distance of the offset required by dropping a plumb line for an accurate measurement. The offset is measured at the chimney centerline, as per the "A" Offset measurement in the diagram below.
3. On the chart, find the predetermined distance



(under the "A" column) required for the 15° elbow. For greater offset, use the 30° offset chart.

4. After finding the offset, look at the "B" (height) measurement in the chart to find the specified height. The appropriate "chimney lengths" required in between elbows is found in the left-hand side column of each chart.

NOTE:

- Model TLC chimneys are limited to offsets not exceeding 30°. Combining elbows for greater angle is not permitted.
- One pair of (two) elbows may be used for interior installation only.
- Never install an elbow in a joist area. Chimney sections must pass vertically through framed joist areas.
- Locking Bands must be used at all chimney joints.
- Each elbow resupport will support 15 feet of chimney.
- The maximum length of chimney allowed between elbows is 6 feet.

Chimney Offset Charts

| 15° OFFSET CHART | | | | | | | | |
|------------------|-------------|---------|-------------|---------|-------------|---------|-------------|---------|
| Chimney Lengths | 5" Diameter | | 6" Diameter | | 7" Diameter | | 8" Diameter | |
| | A | B | A | B | A | B | A | B |
| none | 1-1/2" | 9" | 1-1/8" | 10" | 1-1/8" | 10-1/4" | 1-1/4" | 10-3/8" |
| 6" | 2-1/8" | 13-1/2" | 2-3/8" | 14-1/4" | 2-3/8" | 15" | 2-1/2" | 15-5/8" |
| 12" | 4" | 19-1/8" | 4" | 20-1/2" | 4-1/16" | 20-3/4" | 4-1/8" | 21" |
| 18" | 5-1/2" | 25" | 5-1/2" | 26-1/4" | 5-1/2" | 26-1/2" | 5-5/8" | 26-3/4" |
| 24" | 7-1/2" | 30-1/2" | 7" | 32" | 7-1/16" | 32-1/4" | 7-1/8" | 32-1/2" |
| 36" | 10-1/8" | 42" | 10-1/4" | 43-5/8" | 10-1/4" | 44" | 10-1/4" | 44-1/8" |
| 6" + 36" | 11-1/4" | 48-1/4" | 11-3/8" | 48-3/8" | 11-1/2" | 48-5/8" | 11-1/2" | 48-7/8" |
| 12" + 36" | 12-3/4" | 54" | 13" | 54-1/8" | 13" | 54-3/8" | 13" | 54-5/8" |
| 18" + 36" | 14-3/8" | 59-3/4" | 14-1/2" | 60" | 14-1/2" | 60-1/8" | 14-5/8" | 60-3/8" |
| 24" + 36" | 16" | 65-1/2" | 16-1/8" | 65-3/4" | 16-1/8" | 66" | 16-1/8" | 66-1/4" |
| 12"+24"+36" | 19" | 76-1/4" | 19" | 76-1/4" | 19" | 76-1/2" | 19" | 76-3/4" |

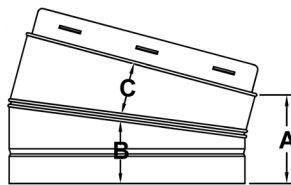
| 30° OFFSET CHART | | | | | | | | |
|------------------|-------------|---------|-------------|---------|-------------|---------|-------------|---------|
| Chimney Lengths | 5" Diameter | | 6" Diameter | | 7" Diameter | | 8" Diameter | |
| | A | B | A | B | A | B | A | B |
| None | 3" | 10" | 2-3/4" | 11-5/8" | 3-1/8" | 13" | 3-1/2" | 14-1/2" |
| 6" | 5-1/4" | 14" | 5-1/4" | 15-7/8" | 5-5/8" | 17-1/4" | 6" | 18-3/8" |
| 12" | 9" | 19-1/4" | 8-1/4" | 21" | 8-5/8" | 22-3/8" | 9" | 24" |
| 18" | 11-1/4" | 24-1/2" | 11-1/4" | 26-1/4" | 11-5/8" | 27-5/8" | 12" | 29-1/8" |
| 24" | 14-1/4" | 29-3/4" | 14-1/4" | 31-3/8" | 14-5/8" | 32-7/8" | 15" | 32-3/8" |
| 36" | 20" | 39-3/4" | 20-1/4" | 41-7/8" | 20-5/8" | 43-1/4" | 21" | 44-3/4" |
| 6" + 36" | 21-7/8" | 44-1/2" | 22-5/8" | 46" | 23" | 47-1/2" | 23-1/2" | 49" |
| 12" + 36" | 23-7/8" | 50-1/8" | 25-5/8" | 51-1/4" | 26" | 52-5/8" | 26-1/2" | 54-1/8" |
| 18" + 36" | 27-1/8" | 55-1/8" | 28-5/8" | 56-3/8" | 29" | 57-3/8" | 29-1/2" | 59-3/8" |
| 24" + 36" | 30-3/8" | 60-5/8" | 31-5/8" | 61-5/8" | 32" | 63" | 32" | 64-1/2" |
| 12"+24"+36" | 37" | 69-3/8" | 37-1/8" | 71" | 37-1/2" | 72-1/2" | 38" | 74" |

Construction tolerances
± one inch

Stainless Steel Elbows and Tees

Insulated 15° and 30° Elbow Kits

- The insulated elbow is used when offset is required.
- Locking bands must be used on all elbows.
- A maximum of 6 feet is allowable between offsets.
- Elbow is fully insulated and can be used with the same 2-inch clearance as chimney lengths.
- Elbow support must be used with all offset installations and will support 15 feet of chimney.
- Elbows do not have twist-locking ridges, so they can be rotated to attain optimum positioning offset and allow chimney to return to correct vertical alignment prior to installing locking bands.
- May not be used outdoors.
- All sizes are available in 15° & 30° kits only.
- Elbow kits include:
 - 2 elbows (Exception: 12" and 14" sizes include four 15° elbows assembled into two 30° elbows)
 - 2 locking bands (Exception: 10", 12" and 14" sizes include four locking bands)
 - 1 elbow support
 - All hardware

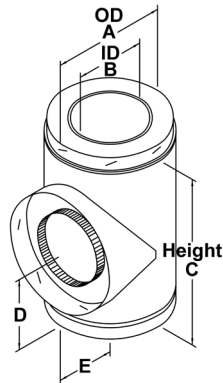


| Size | Model Number | Dimensions (inches) | | | |
|------|--------------|---------------------|-------|--------|---------|
| | | A | B* | C | |
| 15° | 5" | 5TLCEK15 | 3 3/8 | 2 7/16 | 11 5/16 |
| | 6" | 6TLCEK15 | 3 3/8 | 2 1/2 | 2 |
| | 7" | 7TLCEK15 | 3 3/8 | 2 9/16 | 2 1/16 |
| | 8" | 8TLCEK15 | 3 3/8 | 2 5/8 | 2 1/8 |
| | 10" | 10TLCEK15 | 2 1/2 | 5 1/2 | N/A |
| | 12" | 12TLCEK15 | 2 1/4 | 5 3/4 | N/A |
| 14" | 14TLCEK15 | 2 | 6 | N/A | |

| Size | Model Number | Dimensions (inches) | | | |
|------|--------------|---------------------|-------|--------|---------|
| | | A | B | C | |
| 30° | 5" | 5TLCEK30 | 2 3/4 | 2 9/16 | 2 9/16 |
| | 6" | 6TLCEK30 | 3 1/4 | 3 1/16 | 2 9/16 |
| | 7" | 7TLCEK30 | 3 3/4 | 3 7/16 | 21 5/16 |
| | 8" | 8TLCEK30 | 4 1/4 | 3 7/8 | 3 3/8 |
| | 10" | 10TLCEK30 | 5 | 3 7/8 | 3 1/2 |
| | 12" | 12TLCEK30 | 4 | 4 1/4 | 4 |
| | 14" | 14TLCEK30 | 4 1/4 | 4 1/4 | 4 1/4 |

Insulated Tee with Tee Cap

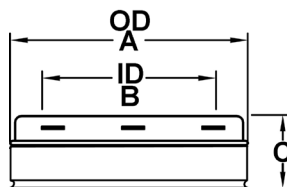
- The insulated chimney tee may be used for through-the-wall installation, using a wall support.
- A chimney length is required to pass safely through a wall.
- Includes the following:
 - Two locking bands
 - 5" to 8" sizes have an **uninsulated** (single-wall) twist-lock tee cap.
 - 10" to 14" sizes have an insulated press fit tee cap.



| Model Number | Size | Dimensions (inches) | | | | |
|--------------|------|---------------------|------|----------|--------|--------|
| | | OD A | ID B | Height C | D | E |
| 5TLCT | 5" | 7 | 5 | 10 1/2 | 5 | 5 |
| 6TLCT | 6" | 8 | 6 | 11 1/2 | 5 5/8 | 5 3/4 |
| 7TLCT | 7" | 9 | 7 | 12 1/4 | 6 1/4 | 6 3/16 |
| 8TLCT | 8" | 10 | 8 | 13 3/8 | 6 5/8 | 6 1/2 |
| 10TLCT | 10" | 12 | 10 | 16 3/4 | 8 3/8 | 8 3/8 |
| 12TLCT | 12" | 14 | 12 | 18 3/4 | 9 3/8 | 9 3/8 |
| 14TLCT | 14" | 16 | 14 | 20 3/4 | 10 3/8 | 10 3/8 |

Insulated Tee Cap

- Permits typical 2" airspace clearance to combustibles.
- 5" to 8" sizes are twist-lock.
- 10" to 14" sizes are press-fit design.



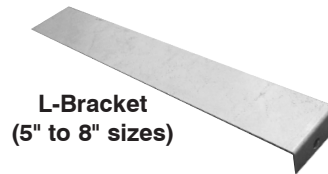
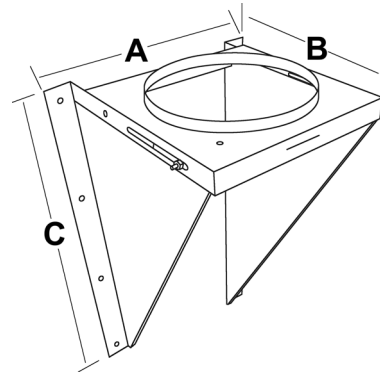
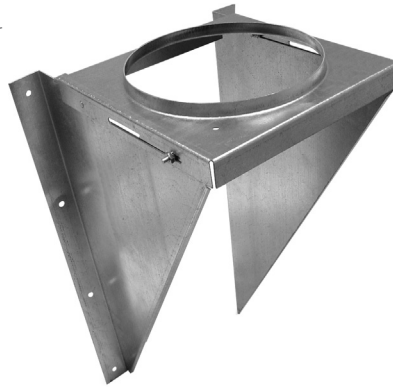
| Model Number | Size | Dimensions (inches) | | |
|--------------|------|---------------------|------|-------|
| | | OD A | ID B | C |
| 5TLCITP | 5" | 7 | 5 | 2 7/8 |
| 6TLCITP | 6" | 8 | 6 | 2 7/8 |
| 7TLCITP | 7" | 9 | 7 | 2 7/8 |
| 8TLCITP | 8" | 10 | 8 | 2 7/8 |
| 10TLCITP | 10" | 12 | 10 | N/A |
| 12TLCITP | 12" | 14 | 12 | N/A |
| 14TLCITP | 14" | 16 | 14 | N/A |

Supports

Adjustable Wall Support

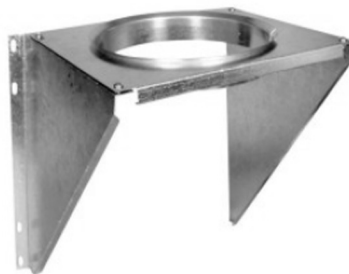
- Used to support the chimney on a through-the-wall installation.
- 5" to 8" sizes include top plate, side brackets, hardware, non-twist-lock insulated tee cap, and a long L-bracket to hold tee cap in place.
- 10" to 14" sizes do not include the cap. Use tee cap packaged with tee.
- 2" to 6" clearance away from wall.
- 5" to 8" sizes support between 30 feet and 74 feet of chimney, based on size and orientation. See instructions for specific heights.
- 10" to 14" sizes support up to 40 feet of chimney.
- **12" to 14" sizes are nonadjustable supports.**

| Model Number | Size | Dimension (inches) | | | Adjustability |
|--------------|------|--------------------|--------|--------|---------------|
| | | A | B | C | |
| 5TLCAWS | 5" | 12 | 10 5/8 | 18 7/8 | 4 |
| 6TLCAWS | 6" | 12 | 10 5/8 | 18 7/8 | 4 |
| 7TLCAWS | 7" | 13 | 11 5/8 | 20 1/2 | 4 |
| 8TLCAWS | 8" | 14 | 12 5/8 | 21 7/8 | 4 |
| 10TLCAWS | 10" | 16 | 14 5/8 | 25 1/4 | nonadjustable |
| 12TLCAWS | 12" | 19 | 16 1/2 | 23 | |
| 14TLCAWS | 14" | 21 | 18 1/2 | 27 | |

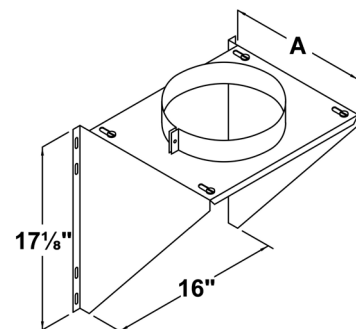


Adjustable Intermediate Wall Support

- Used as supplementary support when chimney system height exceeds maximum height allowed by wall support.
- Supports an additional 38 feet of chimney.
- Includes top plate, support band, side brackets, and hardware.
- 2" to 6" clearance away from wall.



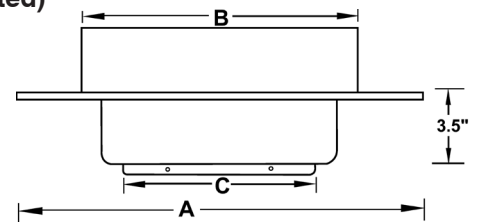
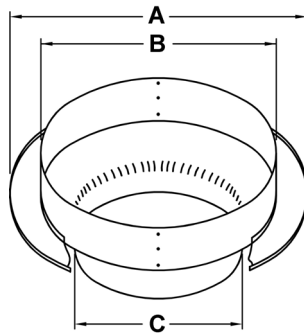
| Model Number | Size | Dimension (inches) |
|--------------|------|--------------------|
| | | A |
| 6TLCIWS | 6" | 11 |
| 7TLCIWS | 7" | 12 |
| 8TLCIWS | 8" | 13 |



Ceiling Supports

- For use in flat ceiling support installations.
- Supports a total of 50 feet of chimney above.
- Chimney pipe **cannot** pass below support.
- Matte black finish with ceiling ring to cover rough opening.
- Also acts as a firestop.
- Must always use stovepipe adapter. See page 17.

| Model Number | Size | Dimensions (inches) | | |
|--------------|------|---------------------|--------|--------|
| | | A | B | C |
| 5TLCCSR | 5" | 16 7/8 | 11 3/8 | 6 3/4 |
| 6TLCCSR | 6" | 17 7/8 | 12 3/8 | 7 3/4 |
| 7TLCCSR | 7" | 18 7/8 | 13 3/8 | 8 3/4 |
| 8TLCCSR | 8" | 19 5/8 | 14 3/8 | 9 3/4 |
| 10TLCCS | 10" | 18 1/2 | 16 1/4 | 10 1/4 |

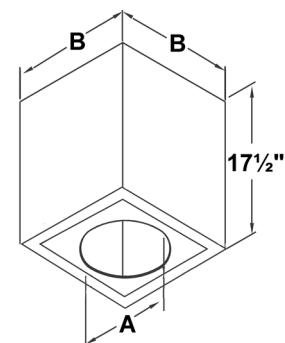


Cathedral Ceiling Support Box

- Used in pitched ceiling support installations.
- Supports a total of 38 feet of chimney with up to 15 feet below support. Includes support clamp, allowing chimney pipe to pass below support.
- Matte black finish with ceiling trim to cover rough opening.
- Also acts as a firestop with use of trim plate.
- 12/12 maximum pitch.



| Model Number | Size | Dimensions (inches) | |
|--------------|------|---------------------|----|
| | | A | B |
| 5TLCCSS | 5" | 7 1/8 | 11 |
| 6TLCCSS | 6" | 8 1/8 | 12 |
| 7TLCCSS | 7" | 9 1/8 | 13 |
| 8TLCCSS | 8" | 10 1/8 | 14 |



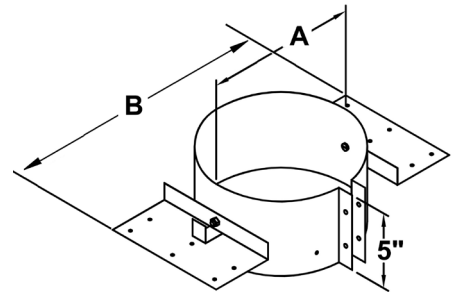
Supports

Adjustable Roof Support

- The roof support may be used on a roof and adjusts to any roof pitch.
- It may be used above an offset to support the offset or as a supplementary support when the chimney height exceeds that of the primary support.
- Supports a total of 30 feet of chimney with up to 20 feet below support.
- Does not act as a firestop.



| Model Number | Size | Dimensions (inches) | |
|--------------|------|---------------------|----|
| | | A | B |
| 5TLCRS | 5" | 7 | 16 |
| 6TLCRS | 6" | 8 | 17 |
| 7TLCRS | 7" | 9 | 18 |
| 8TLCRS | 8" | 10 | 19 |

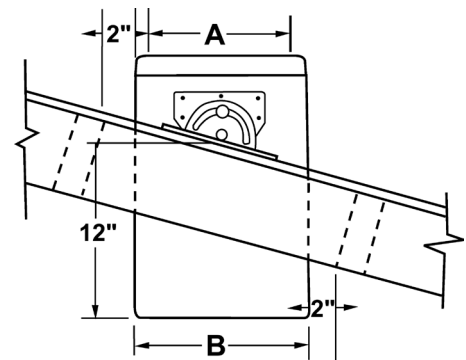


Adjustable Roof Support

- Contains one 18-inch length of pipe with roof brackets preinstalled. Includes hardware.
- Fits all roof pitches. Mounts easily on top of roof.
- Supports a total of 30 feet with up to 20 feet below the support.
- Does not act as a firestop.

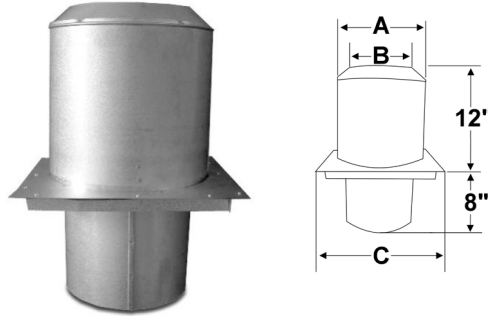


| Model Number | Size | Dimensions (inches) | |
|--------------|------|---------------------|----|
| | | A | B |
| 10TLCRS | 10" | 10 | 12 |
| 12TLCRS | 12" | 12 | 14 |
| 14TLCRS | 14" | 14 | 16 |



Attic Insulation Shield

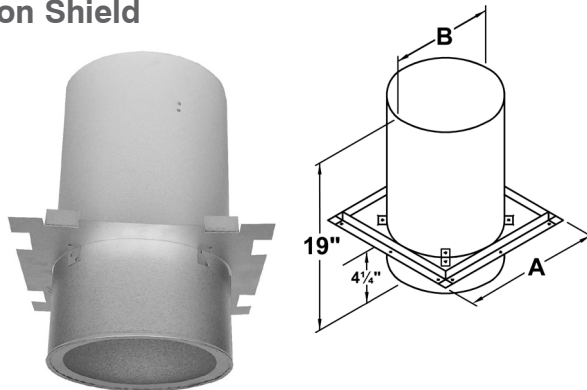
- The attic insulation shield must be installed where the chimney enters the attic space.
- Designed to keep insulation away from the chimney and to maintain the mandatory 2-inch clearance to combustibles.
- Also acts as a firestop.
- Not to be used for enclosed chimneys passing through attic. Instead, use firestop radiation shield and rafter radiation shield.



| Model Number | Size | Dimensions (inches) | | |
|--------------|------|---------------------|--------|----|
| | | A | B | C |
| 5TLCIS | 5" | 11 | 7 1/8 | 13 |
| 6TLCIS | 6" | 12 | 8 1/8 | 14 |
| 7TLCIS | 7" | 13 | 9 1/8 | 15 |
| 8TLCIS | 8" | 14 | 10 1/8 | 16 |
| 10TLCIS | 10" | 16 | 12 1/8 | 18 |
| 12TLCIS | 12" | 18 | 14 1/8 | 20 |
| 14TLCIS | 14" | 20 | 16 1/8 | 22 |

Firestop Radiation Shield

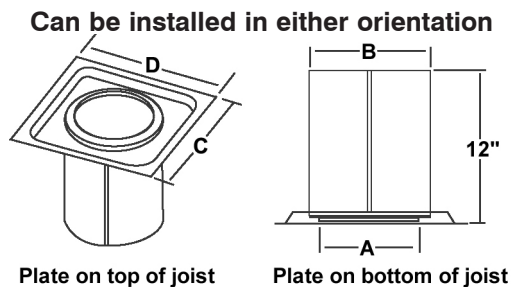
- Required where an enclosed chimney passes from a lower living space into an upper living space.
- Maintains the mandatory 2-inch clearance to combustibles.



| Model Number | Size | Dimensions (inches) | |
|--------------|------|---------------------|----|
| | | A | B |
| 5TLCFRS | 5" | 13 | 9 |
| 6TLCFRS | 6" | 14 | 10 |
| 7TLCFRS | 7" | 15 | 11 |
| 8TLCFRS | 8" | 16 | 12 |

Firestop/Joist Shield

- Used in floor/ceiling penetrations, other than those that include a ceiling support.
- Not required when passing through roof.

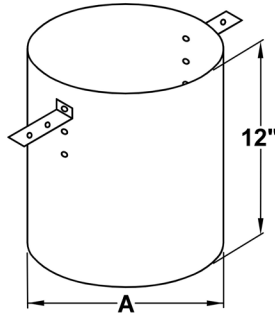


| Model Number | Size | Dimensions (inches) | | | |
|--------------|------|---------------------|----|----|----|
| | | A | B | C | D |
| 10TLCFRS | 10" | 12 1/8 | 14 | 18 | 16 |
| 12TLCFRS | 12" | 14 1/8 | 16 | 20 | 18 |
| 14TLCFRS | 14" | 16 1/8 | 18 | 22 | 20 |

Shields

Rafter Radiation Shield

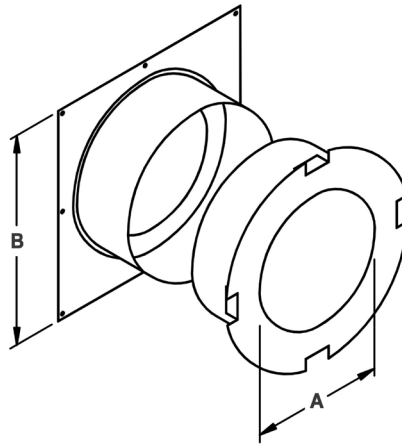
- The rafter radiation shield must be installed immediately below the roof flashing, inside any enclosure.



| Model Number | Size | Dimension (inches) | |
|--------------|------|--------------------|--|
| | | A | |
| 5TLCRRS | 5" | 9 | |
| 6TLCRRS | 6" | 10 | |
| 7TLCRRS | 7" | 11 | |
| 8TLCRRS | 8" | 12 | |

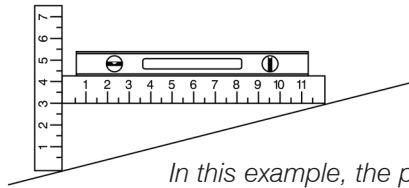
Black Wall Thimble

- Used in a wall support installation.
- Radiation shield is included with spacers, which maintain the mandatory 2-inch clearance to combustibles.
- Attractive matte black finishing trim plate is included.
- Adjustable wall thickness from 4½" to 8¾" for 5" to 8" sizes and from 6" to 11" for 10" to 14" sizes.



| Model Number | Size | Dimension (inches) | |
|--------------|------|--------------------|----|
| | | A | B |
| 5TLCWT | 5" | 7 1/8 | 16 |
| 6TLCWT | 6" | 8 1/8 | 16 |
| 7TLCWT | 7" | 9 1/8 | 16 |
| 8TLCWT | 8" | 10 1/8 | 16 |
| 10TLCWT | 10" | 12 1/8 | 18 |
| 12TLCWT | 12" | 14 1/8 | 20 |
| 14TLCWT | 14" | 16 1/8 | 24 |

Roof Flashing Selection Chart

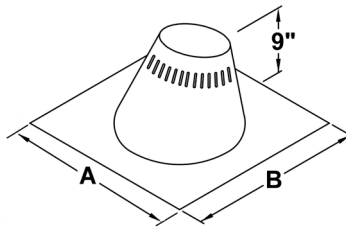
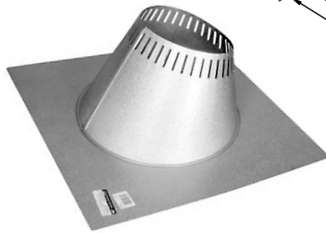


In this example, the pitch is 3/12.

To determine what roof flashing you'll require, you must determine the pitch of the roof. To determine the pitch, you'll need two rulers and a level. Measure the number of inches from the end of the level down to the roof.

Adjustable Flashing Assembly - Flat to 6/12 Pitch

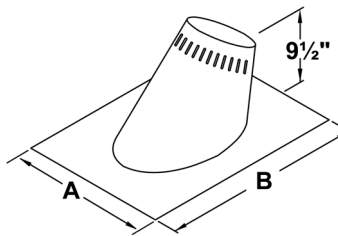
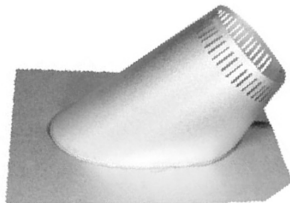
- Used where the chimney passes through a roof with a pitch of Flat to 6/12.
- Comes complete with storm collar.
- All seams are sealed with silicone sealant.
- Galvalume construction.



| Model Number | Size | Dimensions (inches) | |
|--------------|------|---------------------|--------|
| | | A | B |
| 5TLCF6 | 5" | 24 | 24 |
| 6TLCF6 | 6" | 24 | 24 |
| 7TLCF6 | 7" | 24 | 24 |
| 8TLCF6 | 8" | 27 1/2 | 27 1/2 |
| 10TLCF6 | 10" | 27 | 31 7/8 |
| 12TLCF6 | 12" | 36 | 36 3/8 |
| 14TLCF6 | 14" | 36 | 36 3/8 |

Adjustable Flashing Assembly - 6/12 to 12/12 Pitch

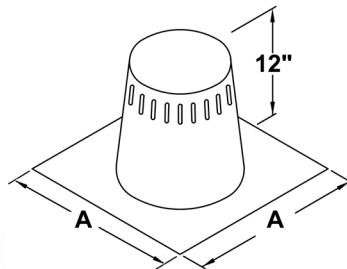
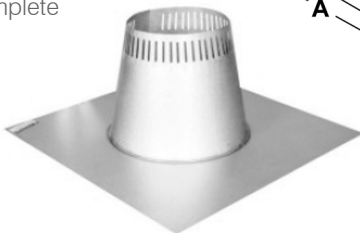
- Used where the chimney passes through a roof with a pitch of 6/12 to 12/12.
- Comes complete with storm collar.
- All seams are sealed with silicone sealant.
- Galvalume construction.



| Model Number | Size | Dimensions (inches) | |
|--------------|------|---------------------|--------|
| | | A | B |
| 5TLCF12 | 5" | 21 1/2 | 30 |
| 6TLCF12 | 6" | 21 1/2 | 30 |
| 7TLCF12 | 7" | 21 1/2 | 30 |
| 8TLCF12 | 8" | 21 1/2 | 30 |
| 10TLCF12 | 10" | 36 | 37 1/2 |
| 12TLCF12 | 12" | 36 | 40 1/2 |
| 14TLCF12 | 14" | 36 | 43 1/2 |

Tall Cone Flashing

- 0/12 to 2/12 pitch.
- All seams are sealed with silicone sealant.
- Galvalume construction.
- Comes complete with storm collar.



| Model Number | Size | Dimensions (inches) |
|--------------|------|---------------------|
| | | A |
| 5TLCFF | 5" | 24 x 24 |
| 6TLCFF | 6" | 24 x 24 |
| 7TLCFF | 7" | 24 x 24 |
| 8TLCFF | 8" | 24 x 24 |
| 10TLCFF | 10" | 30 x 30 |
| 12TLCFF | 12" | 32 x 32 |
| 14TLCFF | 14" | 34 x 34 |

Flashings and Storm Collars



Rubber Boot Flashing Kit

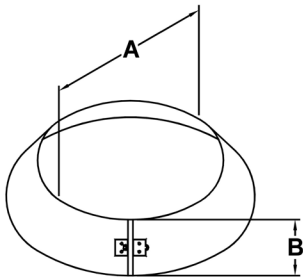
- This kit fits 5", 6", 7" and 8" chimneys.
- Used where the chimney passes through a corrugated roof.
- Rubber boot flashing fits roof pitches up to 10/12.
- Kit includes:
 - Special Storm Collar
 - Rubber Boot
 - Spacer Kit
 - Special Boot-Mounting Screws
- UL-listed.



| Model Number | Size |
|--------------|---------|
| TLCRBF | 5" - 8" |

Storm Collar

- Used in conjunction with roof flashing to keep precipitation out.



| Model Number | Size | Dimensions (inches) | |
|--------------|------|---------------------|-------|
| | | A | B |
| 5TLCSC | 5" | 7 | 4 1/2 |
| 6TLCSC | 6" | 8 | 4 1/2 |
| 7TLCSC | 7" | 9 | 4 1/2 |
| 8TLCSC | 8" | 10 | 4 1/2 |
| 10TLCSC | 10" | 12 | 5 1/2 |
| 12TLCSC | 12" | 14 | 5 1/2 |
| 14TLCSC | 14" | 16 | 5 1/2 |

Silicone Sealant for Storm Collar

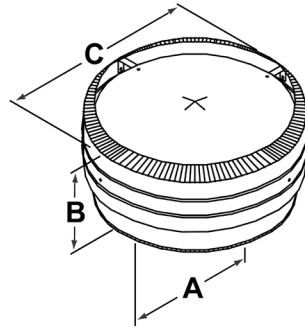
- Used to seal storm collar to chimney length above cone of flashing.
- 3-ounce tube.

| Model Number |
|--------------|
| TLCSS |



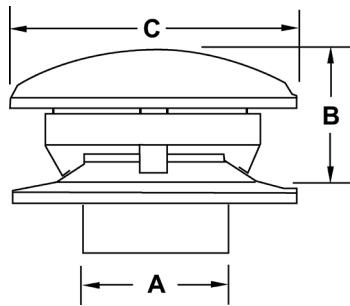
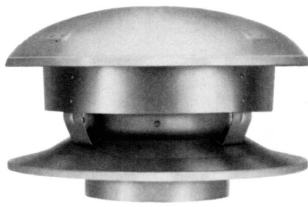
Deluxe Rain Caps

- Advanced design, premium quality stainless steel.
- Provides protection against the elements.



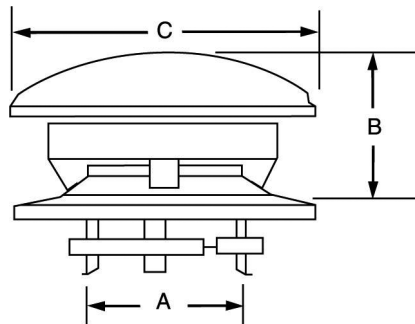
5" to 8" Model TLCC with twist lock connection

| Model Number | Size | Dimensions (inches) | | |
|--------------|------|---------------------|--------|--------|
| | | A | B | C |
| 5TLCC | 5" | 7 | 7 1/2 | 11 1/4 |
| 6TLCC | 6" | 8 | 7 1/2 | 11 1/4 |
| 7TLCC | 7" | 9 | 7 1/2 | 13 1/4 |
| 8TLCC | 8" | 10 | 8 | 14 1/4 |
| 10TLCC | 10" | 10 | 8 1/2 | 20 |
| 12TLCC | 12" | 12 | 10 | 24 |
| 14TLCC | 14" | 14 | 11 1/2 | 28 |



10" to 14" Model TLCC with expanding collar connection

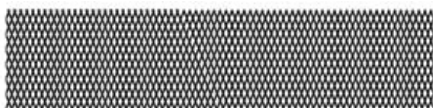
| Model Number | Size | Dimensions (inches) | | |
|--------------|------|---------------------|-------|----|
| | | A | B | C |
| 5TLCCD | 5" | 7 | 5 | 10 |
| 6TLCCD | 6" | 8 | 5 1/2 | 12 |
| 7TLCCD | 7" | 9 | 6 1/4 | 14 |
| 8TLCCD | 8" | 10 | 7 | 16 |



5" to 8" Model TLCCD with cinch band connection

Spark Arresters

- For use with 6" to 14" caps.



| Model Number | Size |
|--------------|------|
| *6TLCSA | 6" |
| *7TLCSA | 7" |
| *8TLCSA | 8" |
| 10TLCSA | 10" |
| 12TLCSA | 12" |
| 14TLCSA | 14" |

Stainless Steel

| Model Number | Size |
|--------------|------|
| 6TLCSAD | 6" |
| 7TLCSAD | 7" |
| 8TLCSAD | 8" |



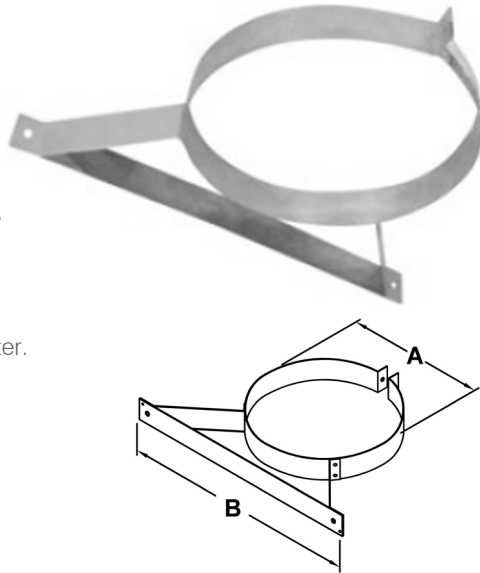
Fits Model "CD" Round Top only (6", 7" and 8")

*Fits Model "C" Deluxe Rain Cap only.

Parts and Accessories

Wall Band

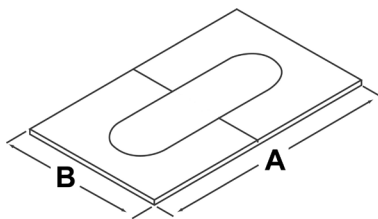
- Stainless steel construction.
- Provides lateral support for the chimney when installed adjacent to a wall.
- Maintains the mandatory 2-inch clearance to combustibles.
- Used above the tee, then every 8 feet thereafter.



| Model Number | Size | Dimensions (inches) | |
|--------------|------|---------------------|----|
| | | A | B |
| 5TLCWB | 5" | 7 | 17 |
| 6TLCWB | 6" | 8 | 17 |
| 7TLCWB | 7" | 9 | 17 |
| 8TLCWB | 8" | 10 | 17 |
| 10TLCWB | 10" | 12 | 17 |
| 12TLCWB | 12" | 14 | 17 |
| 14TLCWB | 14" | 16 | 17 |

Adjustable Ceiling Plate

- Matte black finish.
- Adjusts to multiple ceiling pitches.
- Covers 2-inch space around chimney for attractive finish.



Flat to 6/12 Pitch

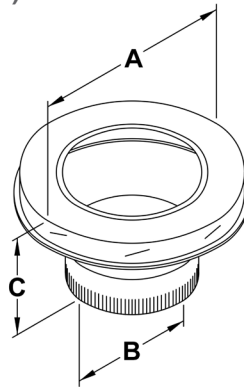
| Model Number | Size | Dimensions (inches) | |
|--------------|------|---------------------|--------|
| | | A | B |
| 5TLCACP | 5" | 18 to 29 | 15 1/2 |
| 6TLCACP | 6" | 19 to 30 | 16 1/2 |
| 7TLCACP | 7" | 20 to 31 | 17 1/2 |
| 8TLCACP | 8" | 21 to 33 | 18 1/2 |
| 10TLCACP | 10" | 23 to 37 | 20 1/2 |
| 12TLCACP | 12" | 25 to 41 | 22 1/2 |
| 14TLCACP | 14" | 27 to 45 | 24 1/2 |

6/12 to 12/12 Pitch

| Model Number | Size | Dimensions (inches) | |
|--------------|------|---------------------|--------|
| | | A | B |
| 5TLCACPT | 5" | 18 to 29 | 15 1/2 |
| 6TLCACPT | 6" | 19 to 30 | 16 1/2 |
| 7TLCACPT | 7" | 20 to 31 | 17 1/2 |
| 8TLCACPT | 8" | 21 to 33 | 18 1/2 |
| 10TLCACPT | 10" | 23 to 37 | 20 1/2 |
| 12TLCACPT | 12" | 25 to 41 | 22 1/2 |
| 14TLCACPT | 14" | 27 to 45 | 24 1/2 |

Stovepipe Adapter (stainless steel)

- For quick and easy transition from black stovepipe to factory-built chimney.
- Twist-lock for easy connection.
- 5" to 8" is black.

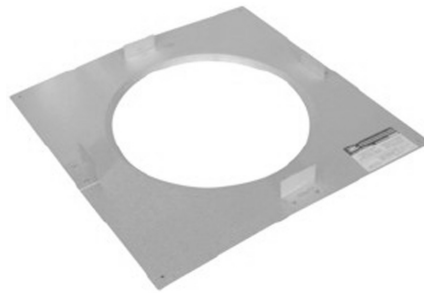


| Model Number | Size | Dimensions (inches) | | |
|--------------|------|---------------------|---|--------|
| | | A | B | C |
| 5TLCSPA | 5" | 7 | 5 | 5 1/16 |
| 6TLCSPA | 6" | 8 | 6 | 5 1/16 |
| 7TLCSPA | 7" | 9 | 7 | 5 1/16 |
| 8TLCSPA | 8" | 10 | 8 | 5 1/16 |

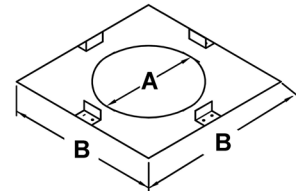
| Model Number | Dimensions (inches) | | |
|--------------|---------------------|----|---|
| | A | B | C |
| 10TLCSPA | 10 | 12 | 3 |
| 12TLCSPA | 12 | 14 | 3 |
| 14TLCSPA | 14 | 16 | 3 |

Soffit Plate

- Used where the chimney passes through a soffit to provide a finished appearance.
- Maintains the mandatory 2-inch clearance to combustibles.
- Does not act as a firestop.



| Model Number | Size | Dimensions (inches) | |
|--------------|------|---------------------|----|
| | | A | B |
| 5TLCSP | 5" | 7 1/8 | 13 |
| 6TLCSP | 6" | 8 1/8 | 14 |
| 7TLCSP | 7" | 9 1/8 | 15 |
| 8TLCSP | 8" | 10 1/8 | 16 |

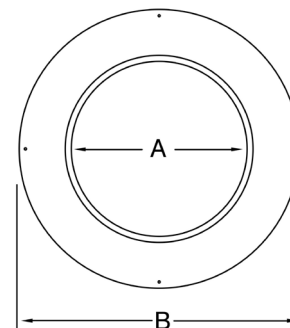


Matte Black Trim Collar

- Used on wall support installations when passing through a noncombustible wall.
- Matte black finish for an enhanced hand-crafted appearance.



| Model Number | Size | Dimensions (inches) | |
|--------------|------|---------------------|----|
| | | A | B |
| 5TLCTC | 5" | 7 1/8 | 16 |
| 6TLCTC | 6" | 8 1/8 | 16 |
| 7TLCTC | 7" | 9 1/8 | 16 |
| 8TLCTC | 8" | 10 1/8 | 16 |

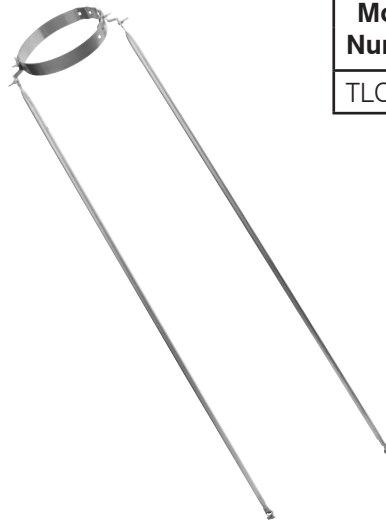


Parts and Accessories

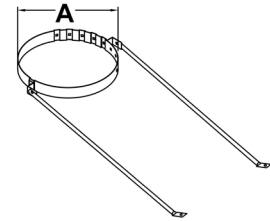


Adjustable Universal Roof Guy Kit

- Used when more than 5 feet of chimney extends from the roof.
- The kit includes two expandable rods and one adjustable band.
- Each rod adjusts from 4' - '.
- The adjustable band will fit 7" - 12" OD chimneys.

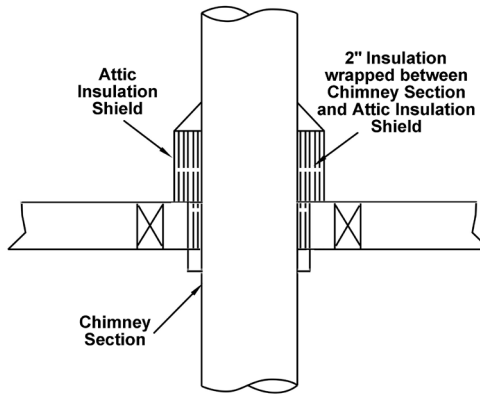


| Model Number | Dimensions (inches) | |
|--------------|---------------------|--|
| | A | |
| TLCRGK | 7" to 12" | |



Shielding Insulation Wrap

- Insulation for use with Attic Insulation Shield, Wall Thimble and Cathedral Ceiling Support Box.
- Protects building materials against radiant heat from the chimney.
- Helps maintain temperatures within the chimney system and within the housing envelope to prevent condensation on exterior.
- UL-listed specifically for TLC chimney.

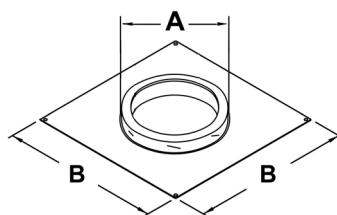
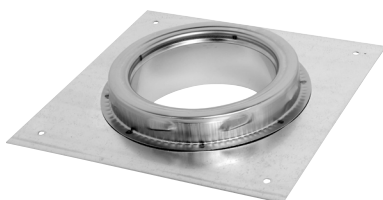


| Model Number | Roll Size |
|--------------|----------------|
| TLCSI | 12" x 48" x 2" |



Anchor Plate

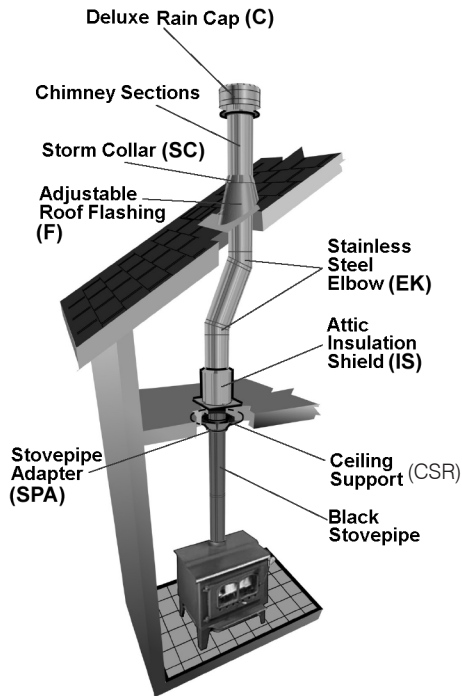
- To be used with specifically listed zero-clearance fireplaces for direct connection of all-fuel chimney.
- 5" to 8" sizes are 14-gauge galvanized base plate, and 10" to 14" sizes are 10-gauge galvanized base plate.



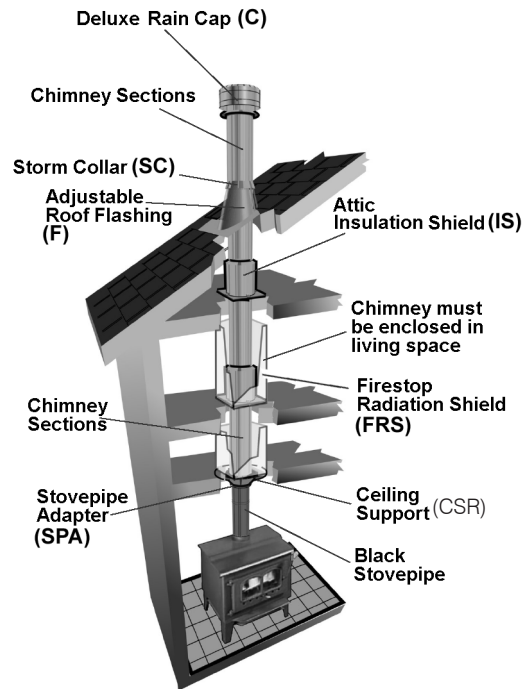
| Model Number | Size | Dimensions (inches) | |
|--------------|------|---------------------|--------|
| | | A | B |
| 5TLCAP | 5" | 7 | 11 5/8 |
| 6TLCAP | 6" | 8 | 11 5/8 |
| 7TLCAP | 7" | 9 | 11 5/8 |
| 8TLCAP | 8" | 10 | 11 5/8 |
| 10TLCAP | 10" | 12 | 13 1/4 |
| 12TLCAP | 12" | 14 | 15 1/4 |
| 14TLCAP | 14" | 16 | 17 1/4 |

Decorator Ceiling Support Installations

One-Story Installation

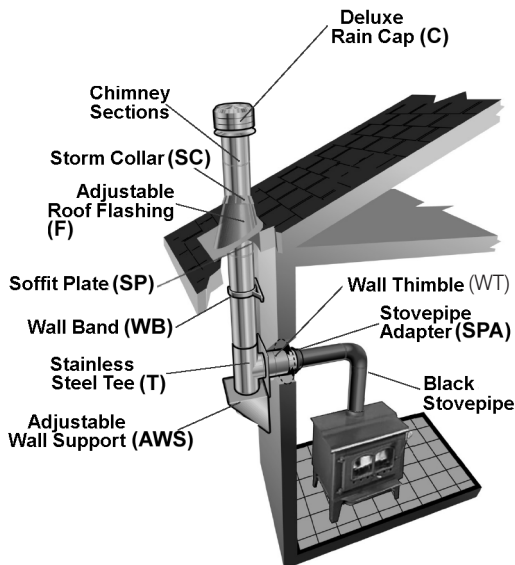


Multi-Story Installation



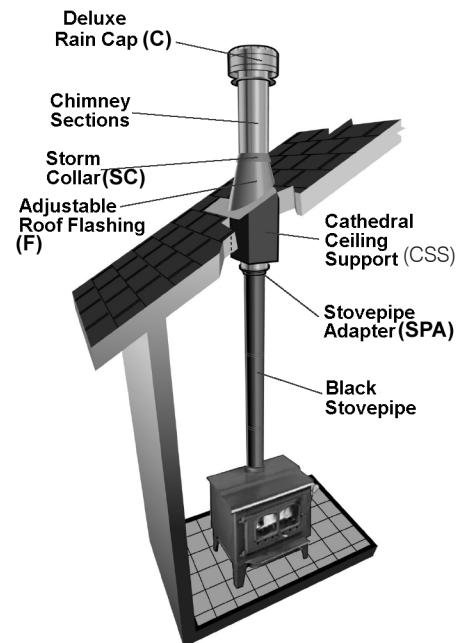
Wall Support Installation

Through a Soffit



Cathedral Support Installation

With Cathedral Ceiling Support Box



Limited Lifetime Warranty



LIMITED LIFETIME WARRANTY

Hart & Cooley, Inc. ("we," "us," "our") warrants chimney and venting products to be free from defects in material and workmanship for as long as the original consumer owns the system. For products installed after January 15, 2007, for a period of ten (10) years from original installation, we will provide replacement product with a similar or like quality of available product, **free of charge** excluding any installation costs. From the eleventh (11th) through fifteenth (15th) years, we will provide replacement product to the original consumer at a cost of 75% off the published retail price in effect on the date the claim is received, excluding any installation costs. At expiration of the fifteen- (15) year term, we will provide replacement product to the original consumer at a cost of 50% off the published retail price in effect on the date the claim is received, excluding any installation costs.

LIMITATIONS:

- Products must be installed for their intended purpose.
- Products must be connected to residential appliance listed with an accredited testing laboratory.

WARNING: FAILURE TO INSTALL PRODUCTS ACCORDING TO THE MANUFACTURER'S INSTRUCTIONS WILL VOID ALL APPLICABLE WARRANTIES AND MAY RESULT IN FIRE, CARBON MONOXIDE POISONING OR DEATH. SEE OUR PRODUCT INSTALLATION INSTRUCTIONS FOR COMPLETE INSTRUCTIONS.

WARRANTY COVERAGE:

All lengths, tees and elbows, and components are applicable to warranty coverage.

THIS LIMITED WARRANTY DOES NOT COVER:

- (a) any nonstainless base tee unit mounted or connected to an insulated chimney system;
- (b) costs (labor or otherwise**) associated with either removing a previously installed product, installing a replacement product, transportation or return of a product, or transportation of replacement product;
- (c) damage to the finish of products caused by the use of improper solvents/chemicals or improper cleaning methods;
- (d) damage resulting from failure to reasonably clean, care for, or maintain products in accordance with our installation instructions/recommendations;
- (e) damage (to products, appliances or structure) based on or resulting from improper installation or repair, misuse or abuse (including, but not limited to, excessive or improper operating condition), or alteration or adjustment other than in conformity with our installation instructions and specifications, whether performed by a contractor, service company, technician, or yourself;
- (f) any products that have been moved from their original installation site.
- (g) damage caused by burning driftwood, garbage, or any other prohibitive material in the appliance served by the chimney
- (h) damage that results from accidents such as fire, flood, high winds, "acts of God," or any other contingency beyond our control.

****Due to the wide variance in installation practices and other conditions beyond our control, we do not guarantee or in any way warrant the installation of chimney and venting products.**

CLAIM PROCEDURE:

If you believe that a product is defective, notify us in writing at the following location.

Hart & Cooley, Inc.
 Attn: Warranty Claims
 5030 Corporate Exchange Blvd. SE
 Grand Rapids, MI 49512
 800.433.6341 p
 800.223.8461 f
 www.hartandcooley.com

Notification should include a description of the product, model and serial number (if applicable), and a description of the product defect. Upon receipt of a written claim under this limited warranty and evidence of the date of purchase or installation, at our option and in our sole discretion, we will provide replacement product with similar or like quality of available product excluding any installation costs. We reserve the right to inspect or investigate any warranty claims prior to determining whether to provide replacement product. If, as determined by us that repair or replacement of the product is not commercially practicable or cannot be completed in a timely manner, we may refund the prorated purchase price paid for the product upon verification by providing a copy of your invoice or receipt of bill of sale.



HART **COOLEY**[®]
install confidence.

Hart & Cooley, Inc.
5030 Corporate Exchange Blvd. SE
Grand Rapids, MI 49512

P (800) 433-6341
F (800) 223-8461

hartandcooley.com



ARCAT[®]

**GRILLES | REGISTERS | DIFFUSERS | FLEXIBLE AIR DUCT
VENT | CHIMNEY | ACCESS DOORS | FILTERS | DUCT COMPONENTS**