



BASO Gas Products LLC

G292 Series BASO® Dual Pilot Gas Valve



Description

The G292 Series is a dual pilot gas valve intended for use with a dual burner system that requires a continuously burning standing pilot at two burners. Typical applications include commercial cooking equipment and similar applications. The G292 valve can be used with natural gas and LP gas, at pressures up to 0.5 psi.

Specifications

- Maximum inlet pressure is 0.5 psi
- Natural Gas Capacity Btu/hr at 1 in. pressure drop is 240,000
- Permissible ambient (surface) temperature is -30 to 175°F (-34 to 79°C)

Agency Listing

- CSA (AGA/CGA) Certificate Number 229521-1656050

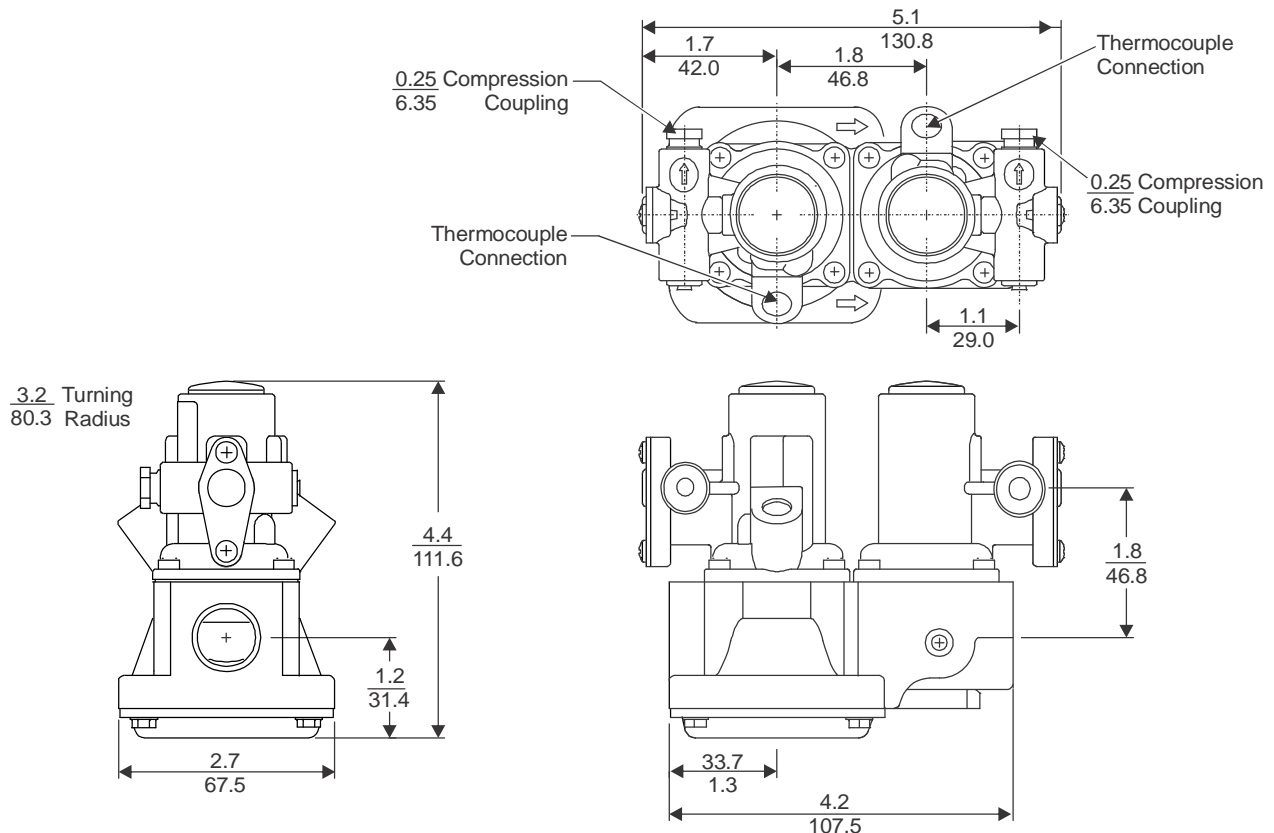
To Order

To order genuine BASO products, call 1-877-227-6427 (1-877-BASOGAS). Specify the code number from the following selection chart.

Other configurations can be made available. Contact BASO Gas Products for availability of products not shown.

Selection Chart

Code Number	Inlet and Outlet	Pilot Tap (in.)
G292AA-1	1/2 in. X 1/2 in. NPT	1/4 cc left



G292 Dimensions (in./mm)