

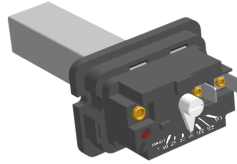


Sealed Units Parts Co., Inc
PO Box 21, Landmark Place
Allenwood, NJ 08720 USA
www.supco.com



FAN CONTROL SERIES. FA47 3" & 7"

CAM-STAT INC.



Description and operation

The FA47TS Series Time-Temperature-Start Fan Control incorporates the best features of both the temperature-actuated and time delay-actuated blower controls. At the moment the thermostat calls for heat, the time delay mechanism of the control is energized. If the control bimetal element does not sense a temp change, the control will turn on the blower strictly by means of the time delay feature. If for any reason the time delay is not energized as the thermostat calls for heat, the control bimetal element will bring on the blower when it senses a temperature rise of 50°F (standard differential) above the turn setting. During the blow down period and after the thermostat is satisfied, the control will turn the blower off at the indicated setting sensed by the control bimetal element.

Installation

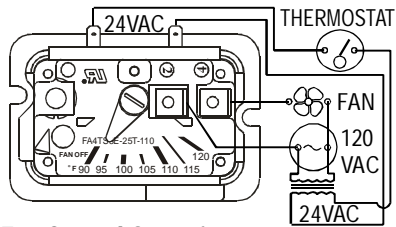
Install control where the bimetal element will be exposed to forced-air circulation at a point where representative air temperatures, corresponding to desired results are obtained. Proper location is very important as the element can only sense and control conditions to which it is exposed.

Electrical Data

Time mechanism rating: 24 VAC, 0.08 amps nominal

WIRING

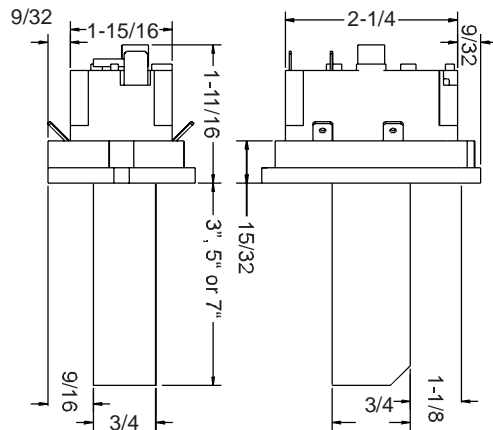
1. All wiring must conform to local electrical ordinances.
2. A typical connection is shown in the Wiring diagram.



Fan Control Operation

SPST	Automatic recycling. Closes contacts 4 & 2 on temperature rise.		
Load Rating	Terminals	Current Rating (amps)	
		120 VAC	240 VAC
Inductive	4 & 2	13.8 FLA (¼ HP)	8.0 FLA (1 HP)
	N.O.	82.8 LRA	48.0 LRA
Inductive	4 & 1 N.C. (SPDT)	5.8 FLA (¼ HP)	2.9 FLA (¼ HP)
		34.8 LRA	17.4 LRA
Non-Inductive	4 & 2	25 (3000 watts load)	25 (6000 watts load)
	N.O.		
Pilot Duty	4 & 2	40 VA @ 30, 120 and 240 VAC	
	4 & 1		

Heat Assist rating: 24 VAC - 0.08 Amps



8173005300 rev C

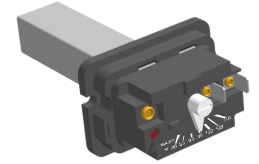


Sealed Units Parts Co., Inc
PO Box 21, Landmark Place
Allenwood, NJ 08720 USA
www.supco.com



FAN CONTROL SERIES. FA47 3" & 7"

CAM-STAT INC.



Description and operation

The FA47TS Series Time-Temperature-Start Fan Control incorporates the best features of both the temperature-actuated and time delay-actuated blower controls. At the moment the thermostat calls for heat, the time delay mechanism of the control is energized. If the control bimetal element does not sense a temp change, the control will turn on the blower strictly by means of the time delay feature. If for any reason the time delay is not energized as the thermostat calls for heat, the control bimetal element will bring on the blower when it senses a temperature rise of 50°F (standard differential) above the turn setting. During the blow down period and after the thermostat is satisfied, the control will turn the blower off at the indicated setting sensed by the control bimetal element.

Installation

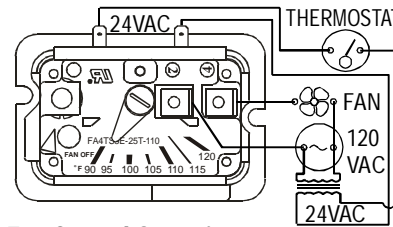
Install control where the bimetal element will be exposed to forced-air circulation at a point where representative air temperatures, corresponding to desired results are obtained. Proper location is very important as the element can only sense and control conditions to which it is exposed.

Electrical Data

Time mechanism rating: 24 VAC, 0.08 amps nominal

WIRING

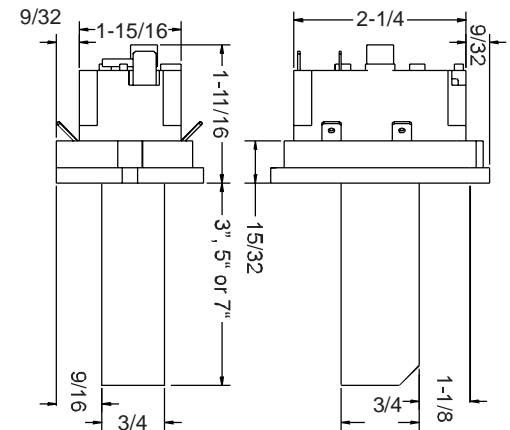
1. All wiring must conform to local electrical ordinances.
2. A typical connection is shown in the Wiring diagram.



Fan Control Operation

SPST	Automatic recycling. Closes contacts 4 & 2 on temperature rise.		
Load Rating	Terminals	Current Rating (amps)	
		120 VAC	240 VAC
Inductive	4 & 2	13.8 FLA (¼ HP)	8.0 FLA (1 HP)
	N.O.	82.8 LRA	48.0 LRA
Inductive	4 & 1 N.C. (SPDT)	5.8 FLA (¼ HP)	2.9 FLA (¼ HP)
		34.8 LRA	17.4 LRA
Non-Inductive	4 & 2	25 (3000 watts load)	25 (6000 watts load)
	N.O.		
Pilot Duty	4 & 2	40 VA @ 30, 120 and 240 VAC	
	4 & 1		

Heat Assist rating: 24 VAC - 0.08 Amps



8173005300 rev C