

TrueDRY DH90

Ventilating Dehumidification System

SPECIFICATION DATA

DH90 Capacities and Performance

Part Number:	DH90
Blower:	240 CFM @ 0.0 in. WG 220 CFM @ 0.4 in. WG
Supply Voltage:	110–120 Volt; 60 Hz.
Amps:	6.3
Operating Exterior Temp:	56–130°F (13–54°C) ducted 56–100°F (13–38°C) unducted

Capacity:

97 Pints/Day (80°F [27°C], 60% RH)
114 Pints/Day (90°F [32°C], 60% RH)
130 Pints/Day (100°F [38°C], 60% RH)

Coverage (sq ft): Up to 3120

Discharge Air Temp: 105°F (41°C)
(80°F [27°C], 60% RH intake)

Duct Connections: 6 in. Round Inlet
10 in. Round Inlet
10 in. Round Outlet

Filter Efficiency: Standard MERV-11
(65% ASHRAE Dust Spot)

Power Cord: 7.5 ft, 115V With Ground

Drain Connection: 3/4 in. Threaded MPT

Dimensions (See Fig. 1):

Width:	15 3/4 in.
Height:	20 7/8 in.
Length:	34 1/2 in. without collars 40 1/2 in. with collars
Weight:	92 lbs

Shipping Specs:

Length:	42 in.
Height:	25 7/8 in.
Width:	20 1/2 in.
Weight:	99 lbs

OPTIONAL PARTS

MERV 11 Filter:	50018994-001
Motorized Damper:	EARD6
10-in. Backdraft Damper:	50018995-001
Blower Assembly:	50027976-001
24VAC Transformer:	50027977-001
SPDT 15A Relay:	50027978-001
SPST 30A Relay:	50027979-001
Compressor:	50027980-001
Leveling Feet (4):	50027981-001

ETL listed. Conforms to UL Std 1995.

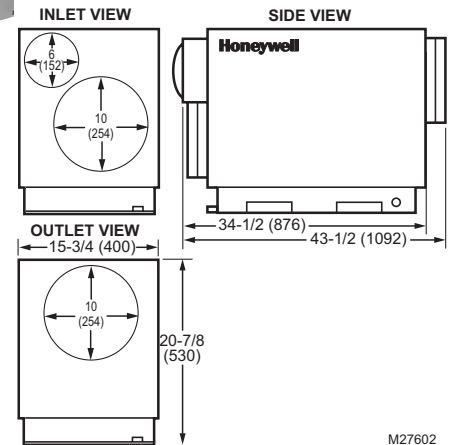


Fig. 1. Dimensions in in. (mm).

The TrueDRY DH90 performs multiple indoor air quality functions in a single, compact unit:

- High-Capacity Dehumidification
- Fresh Air Ventilation
- Air Filtration

Dehumidification

The TrueDRY DH90 dehumidifier utilizes refrigeration and internal air circulation to cool the incoming air stream below its dew point. This cooled and drier air is used to pre-cool the incoming air stream resulting in a significant increase in overall efficiency.

After helping to cool the incoming air, the processed air is reheated by passing through the condenser coil. The heat removed by the evaporator coil is returned to the air stream, resulting in an overall temperature increase to the processed air.

The TrueDRY DH90 is controlled by a variety of 24 volt remote wired controls.

Fresh Air Ventilation

Optional fresh outdoor air may be ducted to the unit via a six-inch round duct. This provides fresh air to dilute pollutants and maintain a normal oxygen content in the air. The amount of fresh air ventilation can be regulated by a variety of dampers and controls.

Air Filtration

The TrueDRY DH90 includes a MERV-11 air filter to keep the DH90's condenser coils clean.

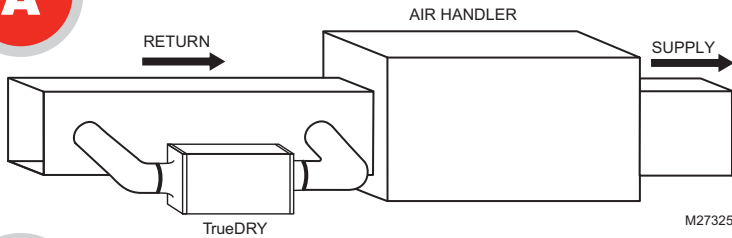
Length: 24 in.
Height: 19 15/16 in.
Width: 7 3/4 in.
Weight: 19 lbs



Installation Recommendations and Options

A

Main Return to Main Return

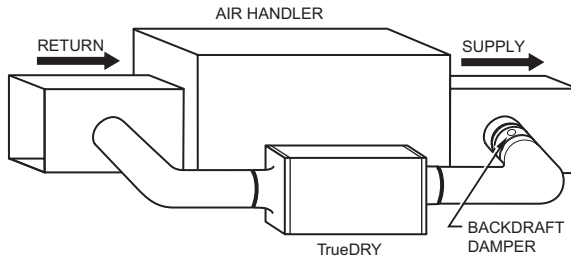


Ideal when...

- Running TrueDRY DH90 with A/C operation.
- Minimizing discharge air temperature (DAT) increase is preferred.
- Space dictates.

B

Main Return to Main Supply

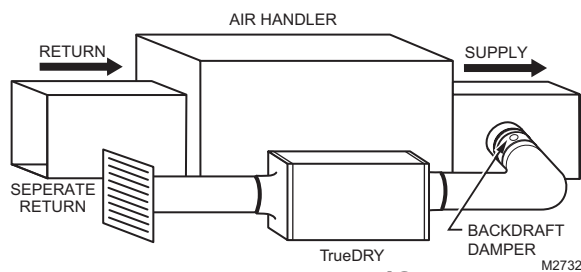


Ideal when...

- Running TrueDRY DH90 opposite A/C operation. Running with A/C operation requires backdraft damper on the exhaust port to minimize backdraft when TrueDRY DH90 is not on but A/C is.
- Minimizing DAT increase is preferred.
- Space dictates.

C

Dedicated Return to Main Supply

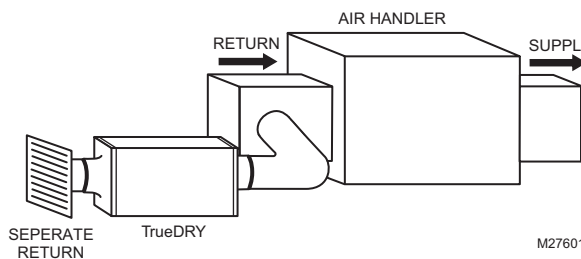


Ideal when...

- Drying a specific area of the house.
- Running with A/C operation requires backdraft damper on the exhaust port to minimize backdraft when TrueDRY DH90 is not on but A/C is.
- Minimizing DAT increase is preferred.

D

Dedicated Return to A/C Return

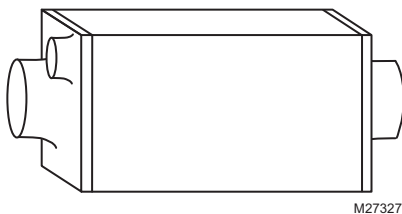


Ideal when...

- Running TrueDRY DH90 with A/C operation.
- Drying a specific area of the house.
- Minimizing DAT increase is preferred.

E

Unducted



Ideal when...

- Drying a specific conditioned or unconditioned area, such as attic, basement, or crawl space.
- Balanced dehumidification is needed without ventilation.
- Minimizing DAT is not a concern.

Automation and Control Solutions

Honeywell International Inc.

1985 Douglas Drive North

Golden Valley, MN 55422

<http://yourhome.honeywell.com>

Honeywell Limited-Honeywell Limitée

35 Dynamic Drive

Toronto, Ontario M1V 4Z9

