



www.Source1Parts.com

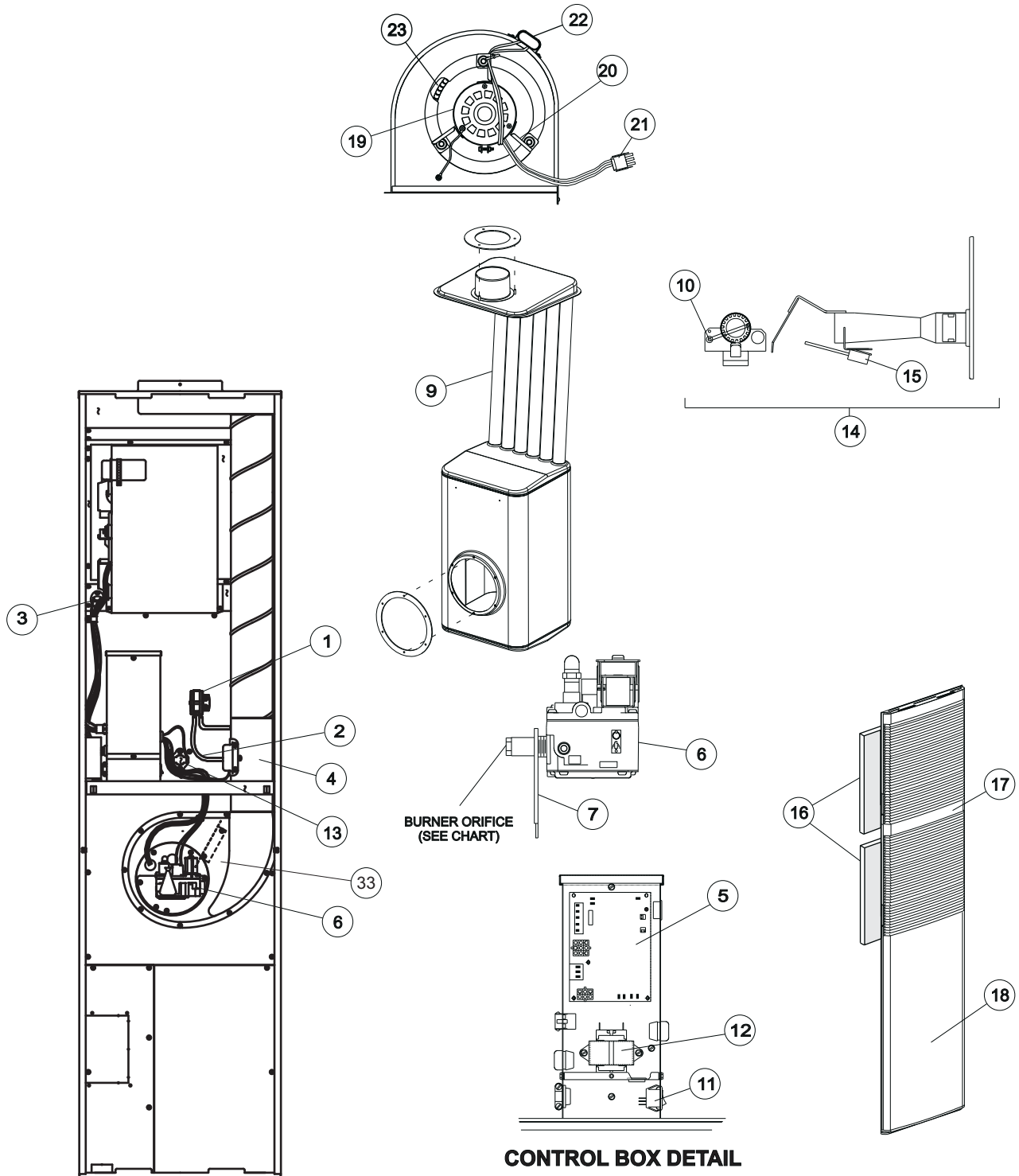
HVAC SERVICE PARTS

# DGAA, DGAH SEALED COMBUSTION DOWNFLOW GAS FURNACE (STYLE D)

Supersedes:035-24568-001 Rev. A (1215)

035-24568-001 Rev. B (0416)

1 of 4



DGAA					
ITEM	DESCRIPTION	DGAA056BDTD	DGAA070BDTD	DGAA077BDTD	DGAA090BDTD
1	Switch, Pressure	S1-32435972000	S1-32435972000	S1-32435972000	S1-32435972000
2	Tubing Silicone (2 Ft. Req'd)	S1-02812499001	S1-02812499001	S1-02812499001	S1-02812499001
3	Limit Switch, Manual (Upper)	S1-02535358000	S1-02535358000	S1-02535358000	S1-02535358000
4	Assembly, Booster (w/Motor)	S1-37319801821	S1-37319801821	S1-37319801821	S1-37319801821
5	Control Board, Integrated	S1-03101932002	S1-03101932002	S1-03101932002	S1-03101932002
6	Valve, Gas	S1-02543267000	S1-02543267000	S1-02543267000	S1-02543267000
7	Bracket, Mounting (Gas Valve)	S1-37319801063	S1-37319801063	S1-37319801063	S1-37319801063
8					
9	Exchanger, Heat (w/Gaskets)	S1-37319804651	S1-37323792001	S1-37323792002	S1-37323792003
10	Sensor, Flame	S1-02535354000	S1-02535354000	S1-02535354000	S1-02535354000
11	Switch, System	S1-7681-3301	S1-7681-3301	S1-7681-3301	S1-7681-3301
12	Transformer (115-24V, 40 VA)	S1-2940A3541	S1-2940A3541	S1-2940A3541	S1-2940A3541
13	Switch, Limit	S1-02535380000	S1-02535380000	S1-02535381000	S1-02535381000
14	Burner Assembly, Auto Ignition (Includes items 10 & 15)	S1-37319801403	S1-37319801403	S1-37319801403	S1-37319801403
15	Ignitor, Hot Surface	S1-32541021000	S1-32541021000	S1-32541021000	S1-32541021000
16	Filter (2 Req'd) (16x20x1)	S1-1214-2511	S1-1214-2511	S1-1214-2511	S1-1214-2511
17	Panel, Door (Upper)	Accessory (See Page 4)			
18	Panel, Door (Lower, Tall)	7900-7611	7900-7611	7900-7611	7900-7611
19	Motor	S1-02436226000	S1-02436226000	S1-02436226000	S1-02436226000
20	Assembly, Motor Mount	S1-37319806100	S1-37319806100	S1-37319806100	S1-37319806100
21	Plug, Connector	S1-02521192000	S1-02521192000	S1-02521192000	S1-02521192000
22	Capacitor)	S1-02435813000	S1-02435813000	S1-02435813000	S1-02435813000
23	Wheel, Blower	S1-02619654703	S1-02619654703	S1-02619654703	S1-02619654703
24*	Top, Casing	S1-07319801342	S1-07319801342	S1-07319801342	S1-07319801342
25*	Diagram, Wiring	1067164	1067164	1067164	1067164
26*	Strike, Door	S1-02118364000	S1-02118364000	S1-02118364000	S1-02118364000
27*	Latch, Door	S1-02118365000	S1-02118365000	S1-02118365000	S1-02118365000
28*	Housing, Blower	S1-37323864001	S1-37323864001	S1-37323864001	S1-37323864001
29*	Gasket, Combustion Air Box	S1-01006900005	S1-01006900005	S1-01006900005	S1-01006900005
30*	Gasket, Burner	S1-01006742000	S1-01006742000	S1-01006742000	S1-01006742000
31*	Gasket, Booster Assembly	S1-01006900015	S1-01006900015	S1-01006900015	S1-01006900015
32*	Gasket, Heat Exchanger	S1-01006900001	S1-01006900001	S1-01006900001	S1-01006900001
33	Plate, Throttle	<b>S1-07319801443</b>	<b>S1-07319801443</b>	<b>S1-07319801443</b>	<b>S1-07319801443</b>

&lt;

**NOTE:** \*Not ShownNew replacement parts shown in **bold** face type at the first printing of parts list dated 4/16.

Major components and suggested stocking items are shown with shaded item number.

"←" Across from row indicates a change in that row.

--- Not applicable to specified model.

<b>DGAH</b>			
<b>ITEM</b>	<b>DESCRIPTION</b>	<b>DGAH056BBSD</b>	<b>DGAH077BBSD</b>
1	Switch, Pressure	S1-32435972000	S1-32435972000
2	Tubing Silicone (2 Ft. Req'd)	S1-02812499001	S1-02812499001
3	Limit Switch, Manual (Upper)	S1-02535358000	S1-02535358000
4	Assembly, Booster (w/Motor)	S1-37319801821	S1-37319801821
5	Control Board, Integrated	S1-03101932002	S1-03101932002
6	Valve, Gas	S1-02543267000	S1-02543267000
7	Bracket, Mounting (Gas Valve)	S1-37319801063	S1-37319801063
8			
9	Exchanger, Heat (w/Gaskets)	S1-37319804651	S1-37323792002
10	Sensor, Flame	S1-02535354000	S1-02535354000
11	Switch, System	S1-7681-3301	S1-7681-3301
12	Transformer (115-24V, 40 VA)	S1-2940A3541	S1-2940A3541
13	Switch, Limit	S1-02535380000	S1-02535381000
14	Burner Assembly, Auto Ignition (Includes items 10 & 15)	S1-37319801403	S1-37319801403
15	Ignitor, Hot Surface	S1-32541021000	S1-32541021000
16	Filter (2 Req'd) (16x20x1)	S1-1214-2511	S1-1214-2511
17	Panel, Door (Upper)	Accessory (See Page 4)	
18	Panel, Door (Lower, Short)	7900-7671	7900-7671
19	Motor	S1-02431948000	S1-02431948000
20	Assembly, Motor Mount	---	---
21	Plug, Connector	S1-02521192000	S1-02521192000
22	Capacitor, Run	---	---
23	Wheel, Blower	S1-02619654703	S1-02619654703
24*	Top, Casing	S1-07319801342	S1-07319801342
25*	Diagram, Wiring	1067163	1067163
26*	Strike, Door	S1-02118364000	S1-02118364000
27*	Latch, Door	S1-02118365000	S1-02118365000
28*	Housing, Blower	S1-37323864001	S1-37323864001
29*	Gasket, Combustion Air Box	S1-01006900005	S1-01006900005
30*	Gasket, Burner	S1-01006742000	S1-01006742000
31*	Gasket, Booster Assembly	S1-01006900015	S1-01006900015
32*	Gasket, Heat Exchanger	S1-01006900001	S1-01006900001
33	Plate, Throttle	<b>S1-07319801443</b>	<b>S1-07319801443</b>

**NOTE:** \*Not Shown

New replacement parts shown in **bold** face type at the first printing of parts list dated 4/16.

Major components and suggested stocking items are shown with shaded item number.

"<" Across from row indicates a change in that row.

--- Not applicable to specified model.

3. DGAH with 5-Ton Blowers are provided as an accessory item and are not standard equipment from the factory. See page 4.

<b>BURNER ORIFICE CHART (Normal Altitude Only, See Note 5)</b>				
<b>MODEL</b>	<b>056</b>	<b>070</b>	<b>077</b>	<b>090</b>
NATURAL GAS	S1-9951-1361	S1-9951-1541	S1-9951-1611	S1-9951-1771
LP GAS	S1-9951-0821	S1-9951-0931	S1-9951-0981	S1-9951-1061

<b>ACCESSORY PARTS LIST</b>			
<b>ACCESSORY</b>	<b>DESCRIPTION</b>	<b>DGAA</b>	<b>DGAH</b>
	Door Panel (Upper)	7900-7631	7900-7631
5-Ton Blower Ass'y 7900-7751	Motor	S1-02431975000	S1-02431975000
	Run Capacitor (20 MFD)	S1-02420051700	S1-02420051700
	Motor Mount	S1-8680-5391	S1-8680-5391
	Blower Wheel	S1-02619654703	S1-02619654703

## NOTES

- 5 Contact Customer Service for installations at altitudes over 2000 feet above sea level.  
 "<" Across from row indicates a change in that row.  
 --- Not Applicable to specified model.

**TO ORDER AUTHORIZED FACTORY REPLACEMENT PARTS** - Contact your Source1 HVAC Parts Distributor or visit our website at [www.Source1Parts.com](http://www.Source1Parts.com) for a Distributor and Dealer listing.