

TYPE D PRESSURE PILOT

TYPE D SERIES PILOTS

PRESSURE REDUCING PILOTS

CONTROLS 3 to 300 PSIG

- Self Contained
- Spring Operated
- Normally Closed
- Packless Construction
- Fluid, Gas & Vapor Applications
- Accurate Regulation Unaffected by Service Conditions
- Easy In-line Maintenance

MODELS

- **TYPE D** for ± 1 psi control of delivery pressures between 3 and 150 psi.
- **TYPE D2** for control of delivery pressures between 100 and 300 psi.
- **TYPE D5** for $\pm 1/2$ psi control of delivery pressures between 1 and 25 psi.
- **TYPE D120** for exceptionally fast response controlling delivery pressures between 5 and 300 psi. To be used on large E main valves.

OPTIONS

- Spring Chamber
- Adjusting Handwheel
- Composition Disc
- Integral Mount Body
- Vacuum Spring Assembly

TYPICAL CONFIGURATIONS

- PRESSURE REDUCING**TYPE ED
- PRESSURE REDUCING**TYPE E2D
- PRESSURE REDUCING**TYPE E5D
- PRESSURE REDUCING**TYPE E6D
- WATER PRESSURE REDUCING**.....TYPE C34D
- TEMPERATURE & PRESSURE**TYPE ET14D

APPLICATION DATA

- Pressure Regulating for Steam Distribution
- Regulating for Process Control
- Can be used with Temperature Pilot to Regulate Pressure on Temperature control Application

SIZING INFO
PAGE 112

RATINGS (Maximum Inlet Conditions)

Construction	Pressure PSIG (bar)	Temperature °F (°C)
Cast Iron	250 (17.2) @	450 (232)
Cast Steel	600 (41.4) @	750 (400)

SPRING PRESSURE RANGES (PSIG)

TYPE D	TYPE D2	TYPE D5	TYPE D120
3-20 [†]	100-300	1-10	5-25
5-50 [†]		5-25	10-75
10-100			40-150
20-150			100-300

[†]With Vacuum Spring Assembly, minimum range is 30 inches Hg; maximum is reduced by 15 PSIG.

Canadian Registration # OC 0591.9C

TYPE D SERIES PILOTS

PRESSURE REDUCING PILOTS

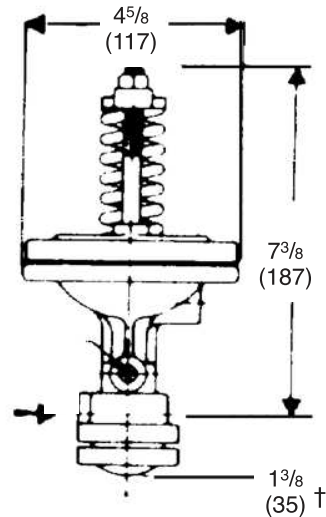
SPECIFICATION

The Pilot shall be separate from the main valve and connected to it with a male union. The Pilot shall be normally closed design with packless construction. A strainer screen shall be built into the Pilot inlet. The Pilot shall be interchangeable on all sizes of main valves.

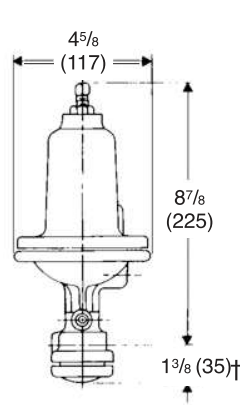
MATERIALS OF CONSTRUCTION

Body, Cast IronASTM A126 CI B
 Body, Cast SteelASTM A216 GR. WCB
 Stem303 St. Stl. ASTM A582 COND A
 Disc440 St. St. ASTM A276-75 COND A
 Seat420 St. Stl ASTM A276 COND A
 GasketNon-Asbestos
 Diaphragm301 St. Stl. MIL-5-5059C
 SpringInconel

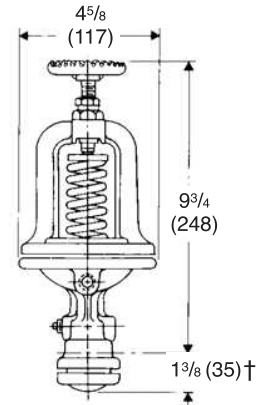
TYPE D
PRESSURE PILOT



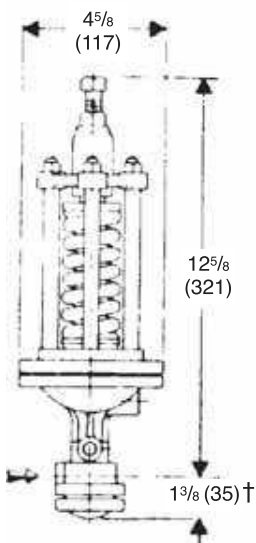
STANDARD D PILOT
7 LBS.
(3.2 KG)



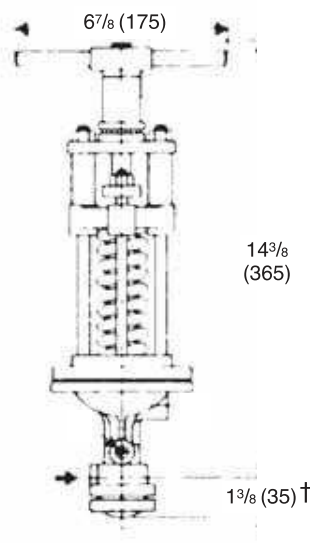
D SPRING CHAMBER
8 LBS. (3.6 KG)



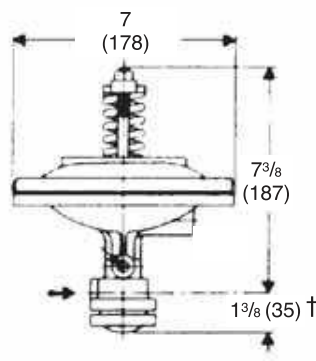
D ADJUSTING HANDWHEEL
9 LBS. (4.1 KG)



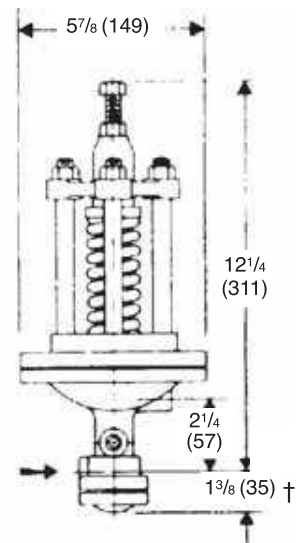
TYPE D2
10 LBS.
(4.5 KG)



D2 ADJUSTING HANDWHEEL
12 LBS. (5.4 KG)



TYPE D5
14 LBS.
(6.4 KG)



TYPE D120
16 LBS.
(7.3 KG)

†For Integral Mount Pilot, this dimension is 5/8" (16).