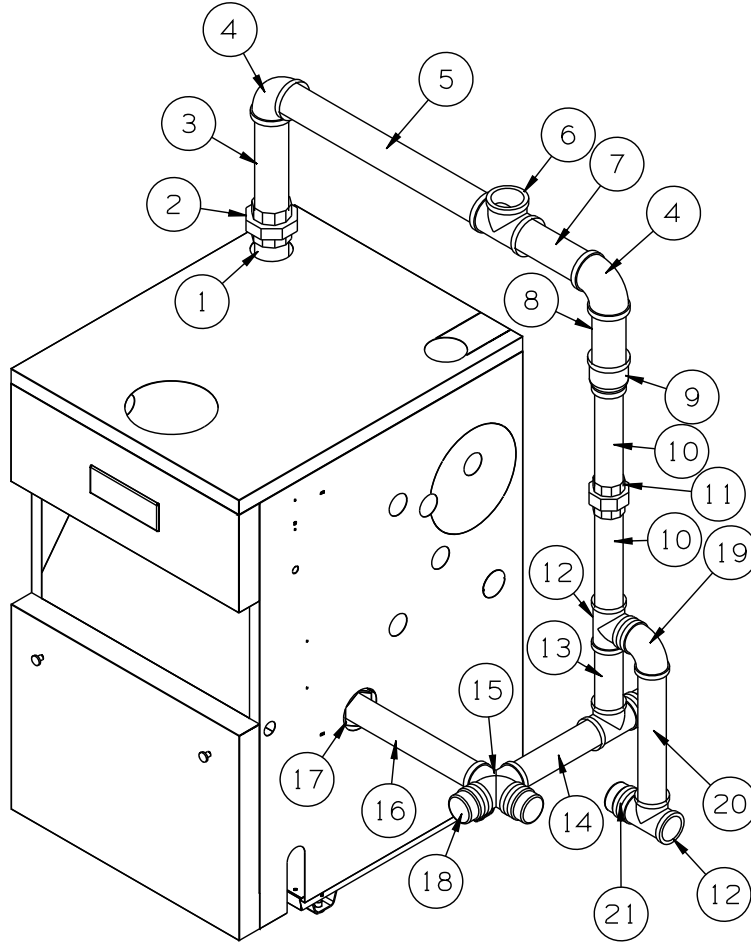


SINGLE RISER FOR BOILER MODELS:

BSI069, BSI103, BSI138, BSI172
 CGSA-57, CGSA-85, CGSA-113, CGSA-142
 KIT PN 850095



Number	Quantity In Kit	Description
1	0 (Note 2)	2" x 8" Pipe Nipple
2	1	2" Union
3	1	2" x 9" Pipe Nipple
4	2	2" - 90° Elbow
5 (069, 57)	1	2" x 10-1/2" Pipe Nipple
5 (103, 85)	1	2" x 14" Pipe Nipple
5 (138, 113)	1	2" x 17" Pipe Nipple
5 (172, 142)	1	2" x 20-1/2" Pipe Nipple
6	1	2" - Tee
7	1	2" x 7" Pipe Nipple
8	1	2" x 5-1/2" Pipe Nipple
9	1	2" x 1-1/2" Reducer
10	2	1-1/2" x 9" Pipe Nipple
11	1	1-1/2" - Union
12	3	1-1/2" - Tee
13	1	1-1/2" x 6" Pipe Nipple (Note 3)
14	1	1-1/2" x 8-1/2" Pipe Nipple (Note 3)
15	1	1-1/2" - Cross
16	1	1-1/2" x 13" Pipe Nipple (Note 3)
17	1	2" x 1-1/2" - Hex Bushing
18	4	1-1/2" - Cap
19	1	1-1/2" - 90° Elbow
20	1	1-1/2" x 12" Pipe Nipple
21	5	1-1/2" x Close Nipple

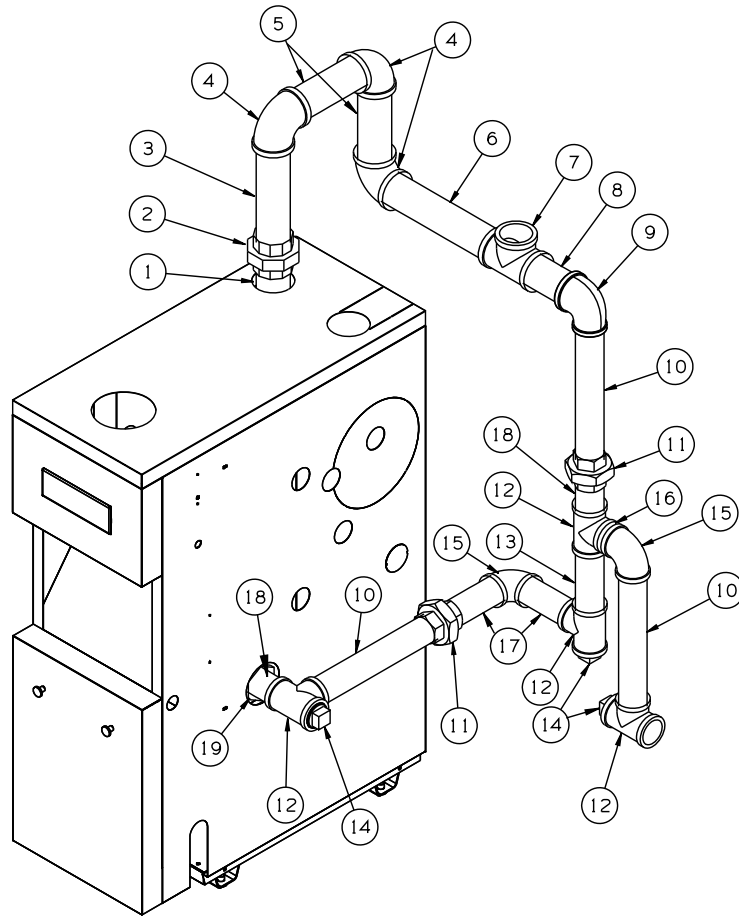
NOTES: 1. A COPY OF THIS DRAWING IS INCLUDED IN KIT.
 2. 2" X 8" NIPPLE SHOWN SHIPS WITH BOILER.
 3. DUE TO VARIATION IN MAKE UP DIMENSIONS, LENGTH OF THESE NIPPLES MAY NEED TO BE ADJUSTED.
 4. CONSULT INSTALLATION MANUAL FOR ADDITIONAL INFORMATION ON PIPING.

SINGLE RISER, DROP HEADER FOR BOILER MODELS:

BSI069, BSI103, BSI138, BSI172

CGSA-57, CGSA-85, CGSA-113, CGSA-142

KIT UNAVAILABLE - PROCURE FITTINGS LOCALLY



Number	Quantity Required	Description
1	2 (Note 1)	2" x 8" Pipe Nipple
2	1	2" Union
3	2	2" x 9" Pipe Nipple
4	3	2" 90° Elbow
5	2	2" x 7" Pipe Nipple
6 (69, 57)	1	2" x 11" Pipe Nipple
6 (103, 85)	1	2" x 14-1/4" Pipe Nipple
6 (138, 113)	1	2" x 17-1/2" Pipe Nipple
6 (172, 142)	1	2" x 20-3/4" Pipe Nipple
7	1	2" Tee
8	1	2" x 4-1/2" Pipe Nipple
9	1	2" x 1-1/2" 90° Reducing Elbow
10	3	1-1/2" x 12" Pipe Nipple
11	2	1-1/2" Union
12	4	1-1/2" Tee
13	1	1-1/2" x 6" Pipe Nipple (Note 2)
14	3	1-1/2" Plug
15	2	1-1/2" 90° Elbow
16	1	1-1/2" - Close Nipple
17	2	1-1/2" x 5-1/4" Nipple (Note 2)
18	2	1-1/2" x 3" Nipple
19	1	2" x 1-1/2" Hex Bushing

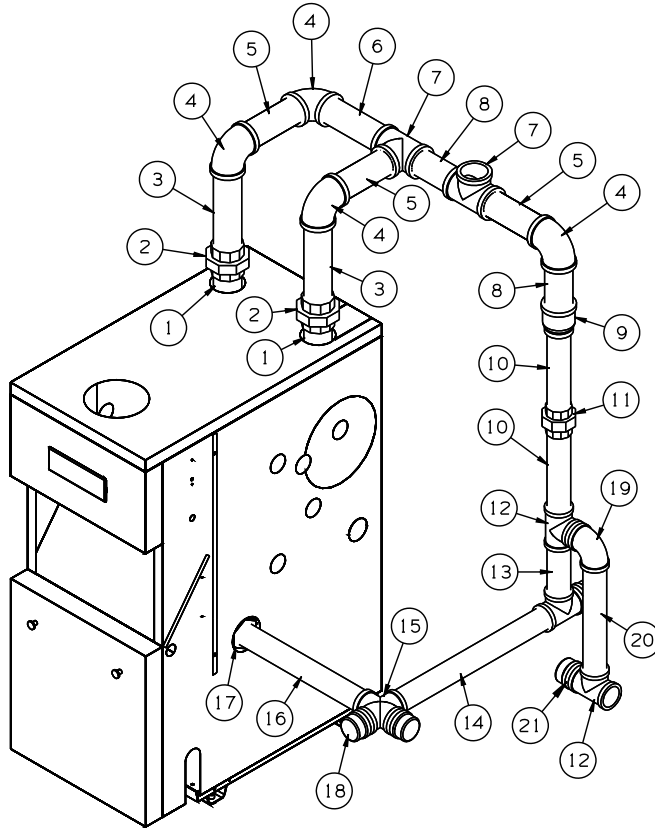
NOTE: 1. TWO 2" X 8" NIPPLES SHIP WITH BOILER.
 2. DUE TO VARIATION IN MAKE UP DIMENSIONS, LENGTH OF THESE NIPPLES MAY NEED TO BE ADJUSTED.
 3. CONSULT INSTALLATION MANUAL FOR ADDITIONAL INFORMATION ON PIPING.

DUAL RISER FOR BOILER MODELS:

BSI103, BSI138, BSI172

CGSA-85, CGSA-113, CGSA-142

KIT UNAVAILABLE - PROCURE FITTINGS LOCALLY

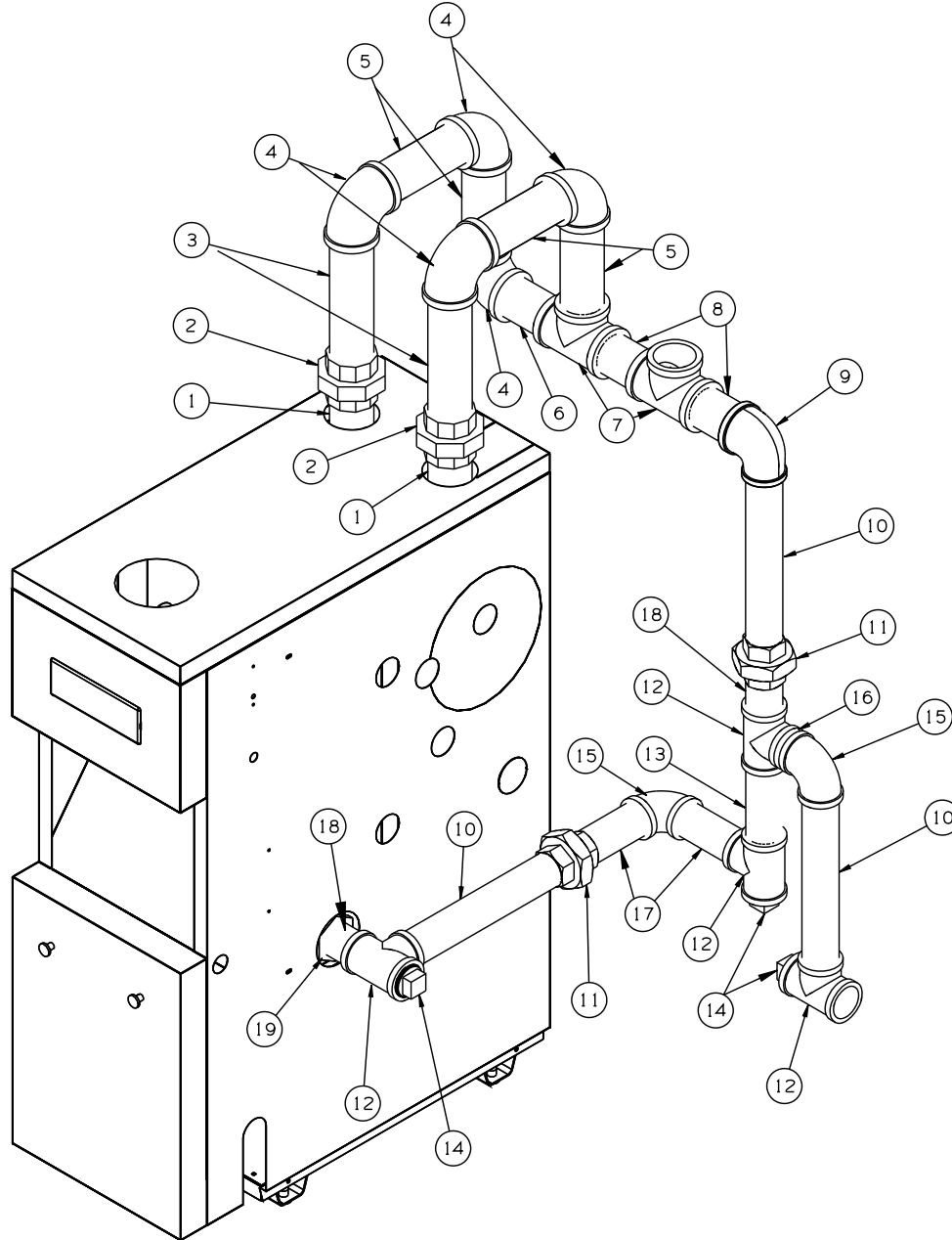


Number	Quantity Required	Description
1	2 (Note 1)	2" x 8" Pipe Nipple
2	2	2" Union
3	2	2" x 9" Pipe Nipple
4	4	2" - 90° Elbow
5	3	2" x 7" Pipe Nipple
6 (103, 85)	1	2" x 7-3/4" Pipe Nipple
6 (138, 113)	1	2" x 11-1/4" Pipe Nipple
6 (172, 142)	1	2" x 14-3/4" Pipe Nipple
7	2	2" - Tee
8	2	2" x 5-1/2" Pipe Nipple
9	1	2" x 1-1/2" Reducer
10	2	1-1/2" x 9" Pipe Nipple
11	1	1-1/2" - Union
12	3	1-1/2" - Tee
13	1	1-1/2" x 6" Pipe Nipple (Note 2)
14	1	1-1/2" x 18-1/2" Pipe Nipple (Note 2)
15	1	1-1/2" - Cross
16	1	1-1/2" x 15-1/2" Pipe Nipple (Note 2)
17	1	2" x 1-1/2" - Hex Bushing
18	4	1-1/2" - Cap
19	1	1-1/2" - Elbow
20	1	1-1/2" x 12" Pipe Nipple
21	5	1-1/2" x Close Nipple

- NOTES: 1. TWO 2" X 8" NIPPLES SHIP WITH BOILER.
 2. DUE TO VARIATION IN MAKE UP DIMENSIONS, LENGTH OF THESE NIPPLES MAY NEED TO BE ADJUSTED.
 3. CONSULT INSTALLATION MANUAL FOR ADDITIONAL INFORMATION ON PIPING.

DUAL RISER, DROP HEADER FOR BOILER MODELS:

BSI069, BSI103, BSI138, BSI172
 CGSA-57, CGSA-85, CGSA-113, CGSA-142
 KIT PN 850105

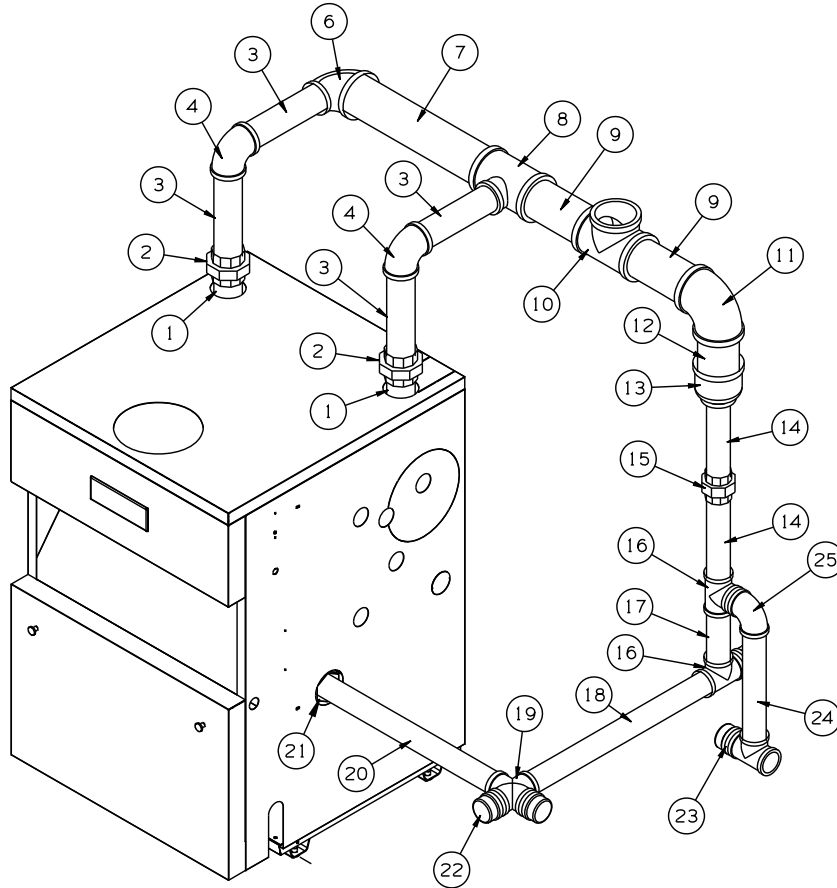


Number	Quantity In Kit	Description
1	0 (Note 2)	2" x 8" Pipe Nipple
2	2	2" Union
3	2	2" x 9" Pipe Nipple
4	5	2" 90° Elbow
5	4	2" x 7" Pipe Nipple
6 (69, 57)	1	2" x 4-1/2" Pipe Nipple
6 (103, 85)	1	2" x 7-3/4" Pipe Nipple
6 (138, 113)	1	2" x 11" Pipe Nipple
6 (172, 142)	1	2" x 14-1/4" Pipe Nipple
7	2	2" Tee
8	2	2" x 4" Pipe Nipple
9	1	2" x 1-1/2" 90° Reducing Elbow
10	3	1-1/2" x 12" Pipe Nipple
11	2	1-1/2" Union
12	4	1-1/2" Tee
13	1	1-1/2" x 6" Pipe Nipple (Note 3)
14	3	1-1/2" Plug
15	2	1-1/2" 90° Elbow
16	1	1-1/2" Close Nipple
17	2	1-1/2" x 5-1/4" Nipple (Note 3)
18	2	1-1/2" x 3" Nipple
19	1	2" x 1-1/2" Hex Bushing

NOTES: 1. A COPY OF THIS DRAWING IS INCLUDED IN KIT.
 2. 2" X 8" NIPPLES SHOWN SHIP WITH BOILER.
 3. DUE TO VARIATION IN MAKE UP DIMENSIONS, LENGTH OF THESE NIPPLES MAY NEED TO BE ADJUSTED.
 4. CONSULT INSTALLATION MANUAL FOR ADDITIONAL INFORMATION ON PIPING.

DUAL RISER FOR BOILER MODELS:

BSI207
CGSA-171
KIT PN 850096

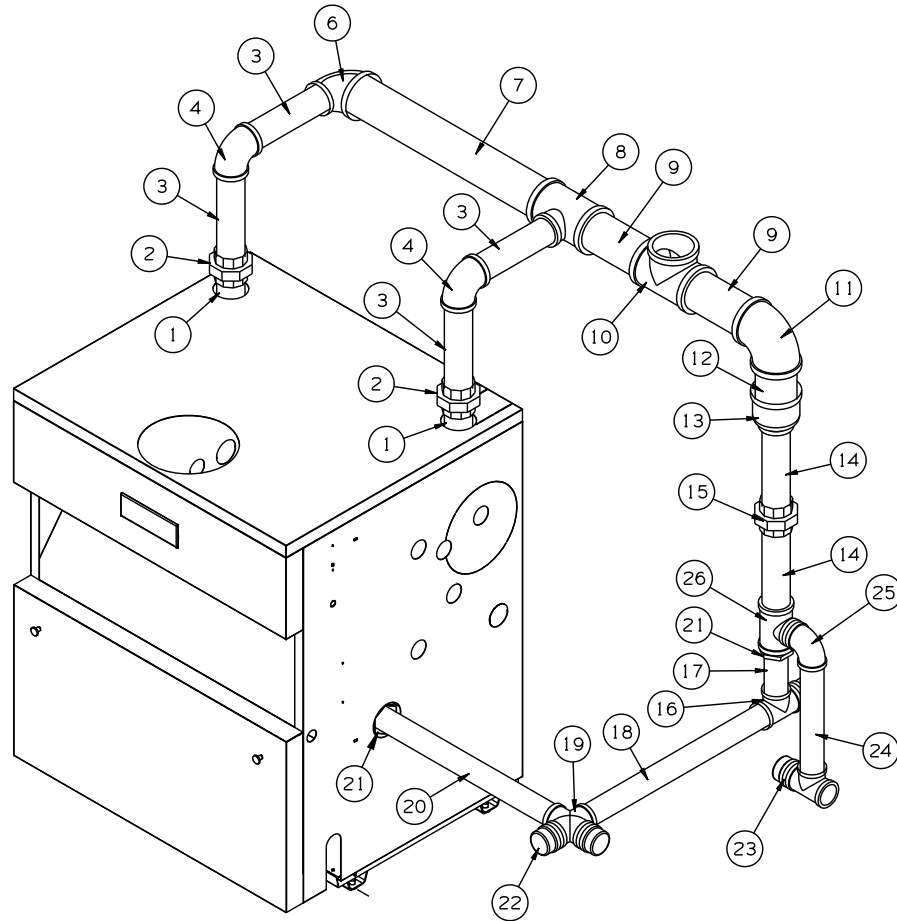


Number	Quantity In Kit	Description
1	1 (Note 2)	2" x 8" Pipe Nipple
2	2	2" Union
3	4	2" x 9-1/2" Pipe Nipple
4	2	2" - 90° Elbow
-	-	-
6	1	3" x 2" - Reducing Elbow
7	1	3" x 17" Pipe Nipple
8	1	3" x 3" x 2" Reducing Tee
9	2	3" x 8" Pipe Nipple
10	1	3" x 3" x 3" Tee
11	1	3" - 90° Elbow
12	1	3" x 5" Pipe Nipple
13	1	3" x 1-1/2" Reducing Coupling
14	2	1-1/2" x 9" Pipe Nipple
15	1	1-1/2" - Union
16	3	1-1/2" Tee
17	1	1-1/2" x 6" Pipe Nipple (Note 3)
18	1	1-1/2" x 21-1/2" Pipe Nipple (Note 3)
19	1	1-1/2" Cross
20	1	1-1/2" x 21" Pipe Nipple (Note 3)
21	1	2" x 1-1/2" Hex Bushing
22	4	1-1/2" Cap
23	5	1-1/2" Close Nipple
24	1	1-1/2" x 12" Pipe Nipple
25	1	1-1/2" 90° Elbow

NOTES: 1. A COPY OF THIS DRAWING IS INCLUDED IN KIT.
2. ONE 2" X 8" NIPPLE SHIPS WITH BOILER.
3. DUE TO VARIATION IN MAKE UP DIMENSIONS, LENGTH OF THESE NIPPLES MAY NEED TO BE ADJUSTED.
4. CONSULT INSTALLATION MANUAL FOR ADDITIONAL INFORMATION ON PIPING.

DUAL RISER FOR BOILER MODELS:

BSI241, BSI276
CGSA-199, CGSA-229
KIT PN 850097

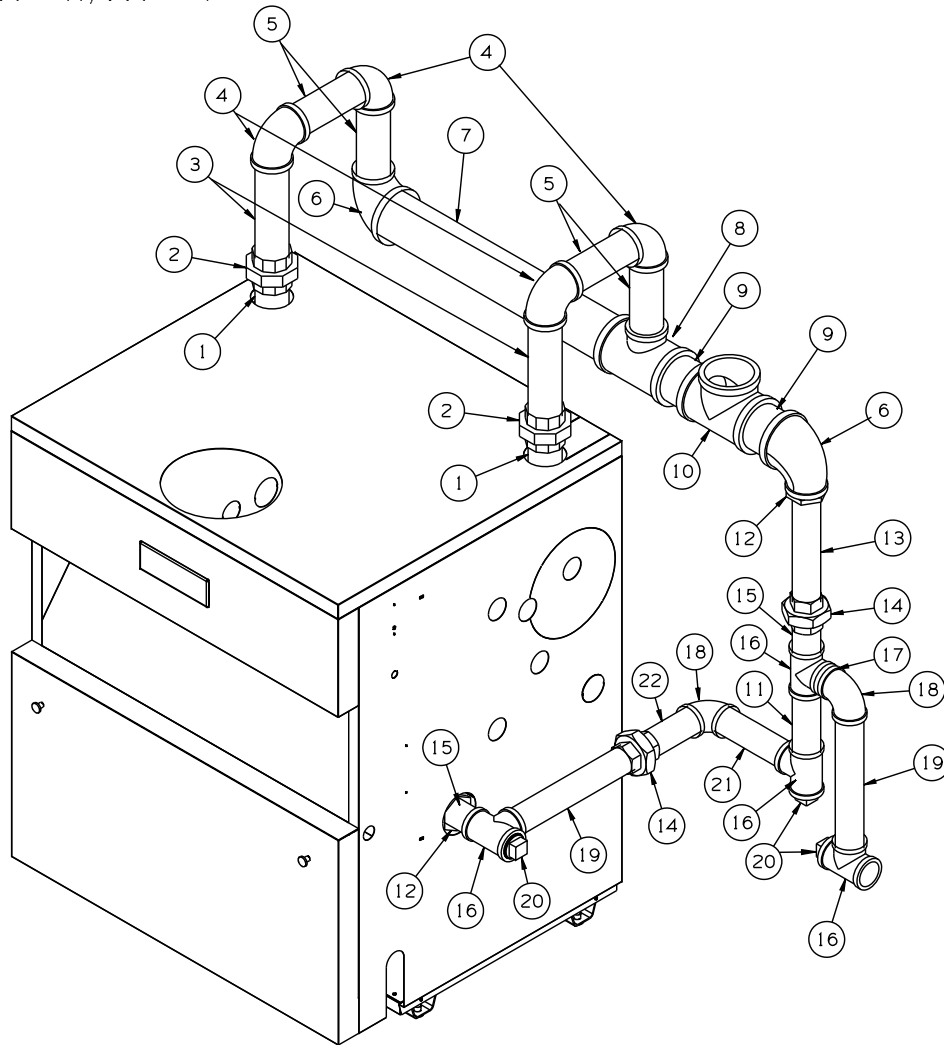


Number	Quantity In Kit	Description
1	1 (Note 2)	2" x 8" Pipe Nipple
2	2	2" Union
3	4	2" x 9-1/2" Pipe Nipple
4	2	2" - 90° Elbow
-	-	-
6	1	3" x 2" - Reducing Elbow
7 (241, 199)	1	3" x 20" Pipe Nipple
7 (276, 229)	1	3" x 23-1/2" Pipe Nipple
8	1	3" x 3" x 2" Reducing Tee
9	2	3" x 8" Pipe Nipple
10	1	3" x 3" x 3" Tee
11	1	3" - 90° Elbow
12	1	3" x 4-1/2" Pipe Nipple
13	1	3" x 2" Reducing Coupling
14	2	2" x 9" Pipe Nipple
15	1	2" - Union
16	2	1-1/2" Tee
17	1	1-1/2" x 5" Pipe Nipple (Note 3)
18	1	1-1/2" x 21-1/2" Pipe Nipple (Note 3)
19	1	1-1/2" Cross
20	1	1-1/2" x 21" Pipe Nipple (Note 3)
21	2	2" x 1-1/2" Hex Bushing
22	4	1-1/2" Cap
23	5	1-1/2" Close Nipple
24	1	1-1/2" x 12" Pipe Nipple
25	1	1-1/2" 90° Elbow
26	1	2" x 2" x 1-1/2" Reducing Tee

NOTES: 1. A COPY OF THIS DRAWING IS INCLUDED IN KIT.
2. ONE 2" X 8" NIPPLE SHIPS WITH BOILER.
3. DUE TO VARIATION IN MAKE UP DIMENSIONS, LENGTH OF THESE NIPPLES MAY NEED TO BE ADJUSTED.
4. CONSULT INSTALLATION MANUAL FOR ADDITIONAL INFORMATION ON PIPING.

DUAL RISER, DROP HEADER FOR BOILER MODELS:

BSI207, BSI241, BSI276
CGSA-171, CGSA-199, CGSA-229
KIT PN 850108

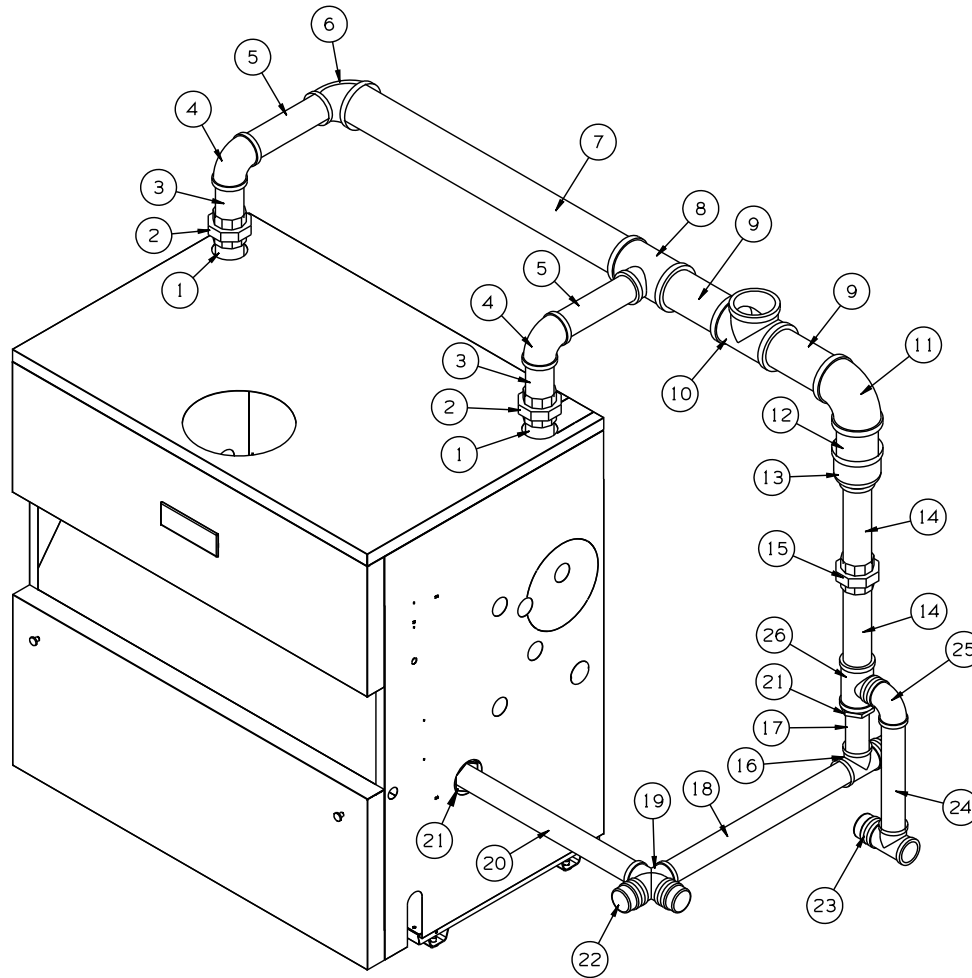


Number	Quantity In Kit	Description
1	1 (Note 2)	2" x 8" Pipe Nipple
2	2	2" Union
3	2	2" x 9" Pipe Nipple
4	4	2" - 90° Elbow
5	4	2" x 7" Pipe Nipple
6	2	3" x 2" - Reducing Elbow
7 (207,171)	1	3" x 16-7/8" Pipe Nipple
7 (241,199)	1	3" x 20-1/8" Pipe Nipple
7 (276,229)	1	3" x 23-3/8" Pipe Nipple
8	1	3" x 3" x 2" Reducing Tee
9	2	3" x 4" Pipe Nipple
10	1	3" Tee
11	1	1/1/2"x 6" Pipe Nipple (Note 3)
12	2	2" x 1-1/2" Hex Bushing
13	1	1-1/2" x 10" Pipe Nipple
14	2	1-1/2" Union
15	2	1-1/2" x 3" Pipe Nipple
16	4	1-1/2" Tee
17	1	1-1/2" Close Nipple
18	2	1-1/2" 90° Elbow
19	2	1-1/2" x 12" Pipe Nipple
20	3	1-1/2" Plug
21	1	1-1/2" x 7-1/4" Pipe Nipple (Note 3)
22	1	1-1/2" x 5-1/4" Pipe Nipple (Note 3)

- NOTES: 1. A COPY OF THIS DRAWING IS INCLUDED IN KIT.
2. TWO 2" X 8" NIPPLES REQUIRED.
ONE SHIPS WITH BOILER.
3. DUE TO VARIATION IN MAKE UP DIMENSIONS,
LENGTH OF THESE NIPPLES MAY NEED TO BE
ADJUSTED.
4. CONSULT INSTALLATION MANUAL FOR
ADDITIONAL INFORMATION ON PIPING.

DUAL RISER FOR BOILER MODELS:

BSI311, BSI346, BSI380
CGSA-240, CGSA-267, CGSA-294
KIT PN 850098



Number	Quantity In Kit	Description
1	0 (Note 2)	2" x 13" Pipe Nipple
2	2	2" Union
3	2	2" x 4-1/2" Pipe Nipple
4	2	2" - 90° Elbow
5	2	2" X 9-1/2" Pipe Nipple
6	1	3" x 2" - Reducing Elbow
7 (311, 240)	1	3" x 26-1/2" Pipe Nipple
7 (346, 267)	1	3" x 30" Pipe Nipple
7 (380, 294)	1	3" x 33" Pipe Nipple
8	1	3" x 3" x 2" Reducing Tee
9	2	3" x 8" Pipe Nipple
10	1	3" x 3" x 3" Tee
11	1	3" - 90° Elbow
12	1	3" x 4-1/2" Pipe Nipple
13	1	3" x 2" Reducing Coupling
14	2	2" x 9" Pipe Nipple
15	1	2" - Union
16	2	1-1/2" Tee
17	1	1-1/2" x 5" Pipe Nipple (Note 3)
18	1	1-1/2" x 21-1/2" Pipe Nipple (Note 3)
19	1	1-1/2" Cross
20	1	1-1/2" x 21" Pipe Nipple (Note 3)
21	2	2" x 1-1/2" Hex Bushing
22	4	1-1/2" Cap
23	5	1-1/2" Close Nipple
24	1	1-1/2" x 12" Pipe Nipple
25	1	1-1/2" 90° Elbow
26	1	2" x 2" x 1-1/2" Reducing Tee

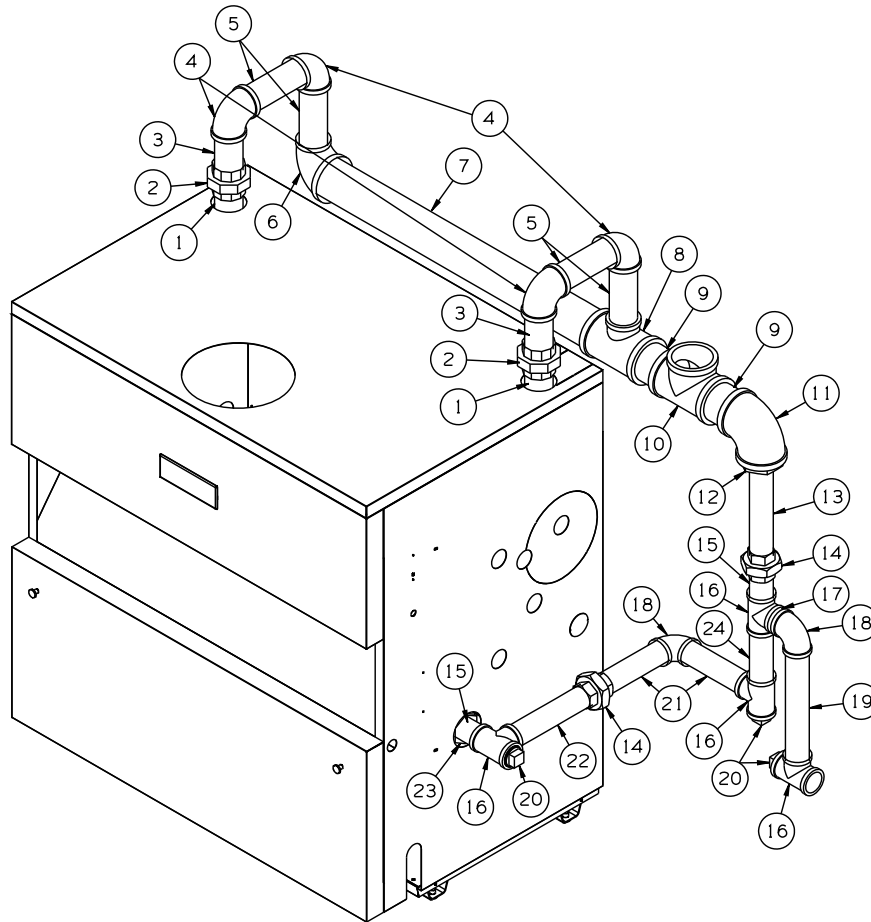
- NOTES: 1. A COPY OF THIS DRAWING IS INCLUDED IN KIT.
2. 2" X 13" NIPPLES SHIP WITH BOILER.
3. DUE TO VARIATION IN MAKE UP DIMENSIONS, LENGTH OF THESE NIPPLES MAY NEED TO BE ADJUSTED.
4. CONSULT INSTALLATION MANUAL FOR ADDITIONAL INFORMATION ON PIPING.

DUAL RISER, DROP HEADER FOR BOILER MODELS:

BSI311, BSI346, BSI380

CGSA-240, CGSA-267, CGSA-294

KIT UNAVAILABLE - PROCURE FITTINGS LOCALLY



Number	Quantity Required	Description
1	0 (Note 1)	2" x 13" Pipe Nipple
2	2	2" Union
3	2	2" x 4-1/2" Pipe Nipple
4	4	2" - 90° Elbow
5	4	2" X 7" Pipe Nipple
6	1	3" x 2" - Reducing Elbow
7 (311, 240)	1	3" x 26-1/2" Pipe Nipple
7 (346, 267)	1	3" x 29-3/4" Pipe Nipple
7 (380, 294)	1	3" x 33" Pipe Nipple
8	1	3" x 2" x 3" Reducing Tee
9	2	3" x 4" Pipe Nipple
10	1	3" x 3" x 3" Tee
11	1	3" - 90° Elbow
12	1	3" x 1-1/2" Hex Bushing
13	1	1-1/2" x 10-1/4" Pipe Nipple
14	2	1-1/2" Union
15	2	1-1/2" x 3" Pipe Nipple
16	4	1-1/2" Tee
17	1	1-1/2" Close Nipple
18	2	1-1/2" 90° Elbow
19	1	1-1/2" x 12" Pipe Nipple
20	3	1-1/2" Plug
21	2	1-1/2" x 7-3/4" Pipe Nipple (Note 2)
22	1	1-1/2" x 9-1/2" Pipe Nipple
23	1	2" x 1/1/2" Hex Bushing
24	1	1/1/2"x 6" Pipe Nipple (Note 2)

NOTES: 1. 2" X 13" NIPPLES SHOWN SHIP WITH BOILER.
 2. DUE TO VARIATION IN MAKE UP DIMENSIONS, LENGTH OF THESE NIPPLES MAY NEED TO BE ADJUSTED.
 3. CONSULT INSTALLATION MANUAL FOR ADDITIONAL INFORMATION ON PIPING.