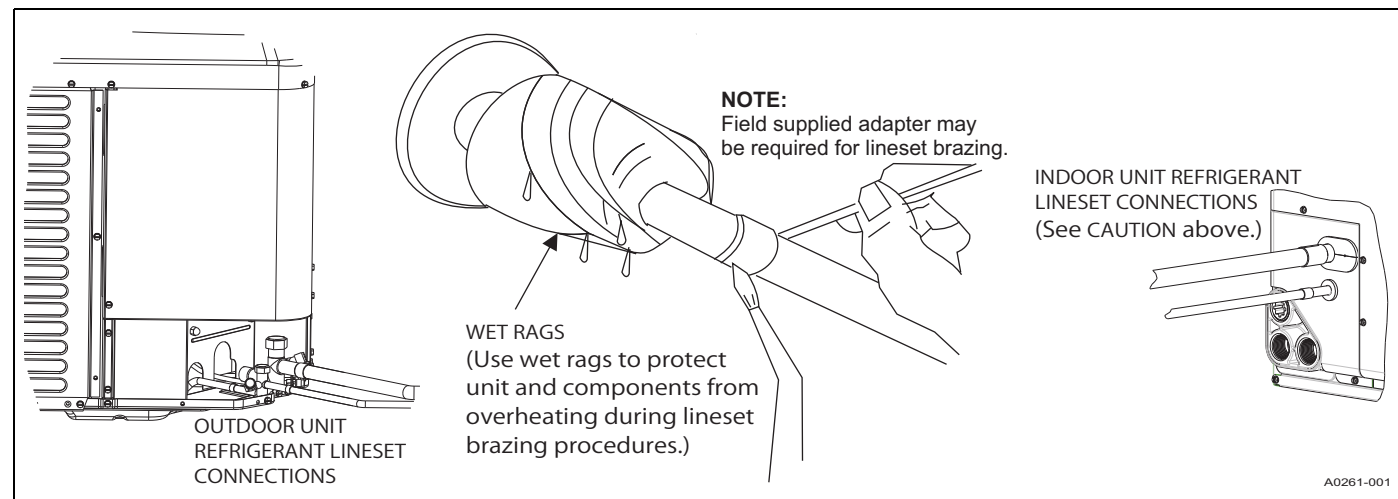


CAUTION

Indoor coil is under inert gas pressure. Relieve pressure from coil by depressing schrader core at end of suction manifold stub out.
 Dry nitrogen should always be supplied through the tubing while it is being brazed, because the temperature required is high enough to cause oxidation of the copper unless an inert atmosphere is provided. The flow of dry nitrogen should continue until the joint has cooled. Always use a pressure regulator and safety valve to ensure that only low pressure dry nitrogen is introduced into the tubing. Only a small flow is necessary to displace air and prevent oxidation.
 If a refrigerant leak is discovered after the system is charged, the system must be evacuated to repair the leak. Attempting to braze a line under refrigerant pressure can cause the line to rupture. A rupture can propel hot solder and oil causing injury to the technician attempting to braze the line.

Brazing Procedures For Sweat Fitting Lineset*

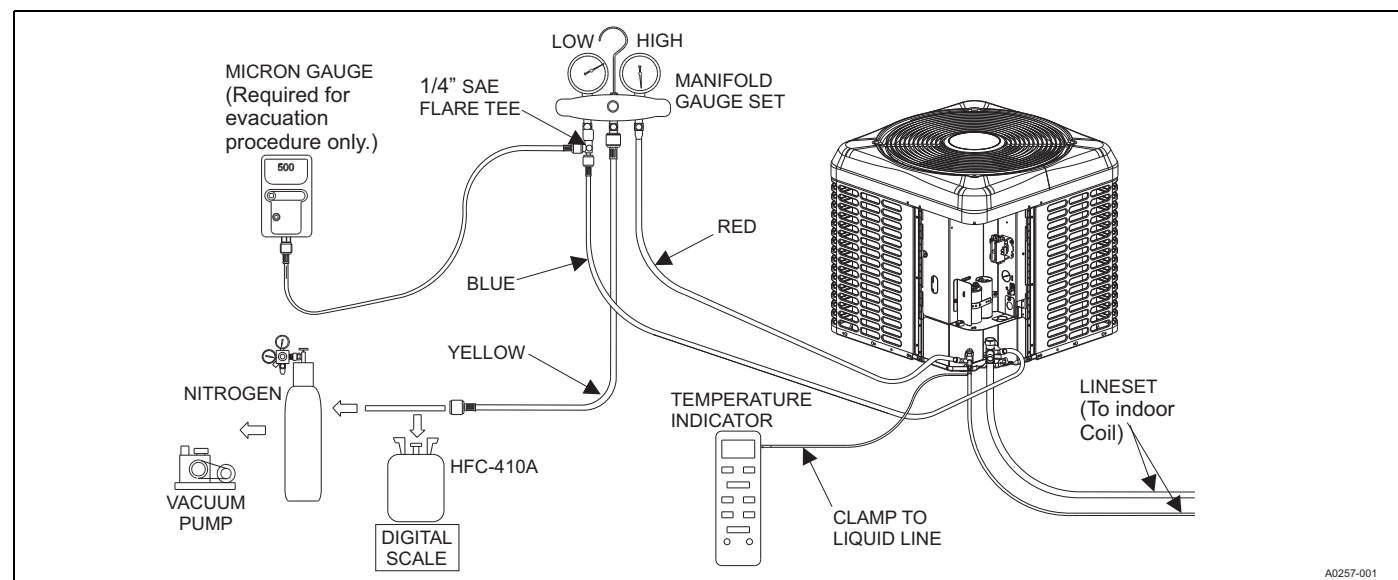


*For unit lineset brazing precautions, refer to the Installation Manual included with the unit.

CAUTION

Avoid personal injury and/or equipment damage, carefully follow the brazing, charging, and other instructions in the Installation Manual provided with the unit.

Evacuating System and Charging with Refrigerant



Complete the installation by accomplishing the Startup Sheet at the back of the Installation Manual.

For a full list of the unit accessories, see the "ACCESSORIES" section in the Technical Guide.
 For Common fault / troubleshooting and LED fault codes if applicable, see the Installation Manual.

Subject to change without notice. Published in U.S.A.
 Copyright © 2015 by Johnson Controls, Inc. All rights reserved.



5002679-URG-A-0315
 Supersedes: Nothing

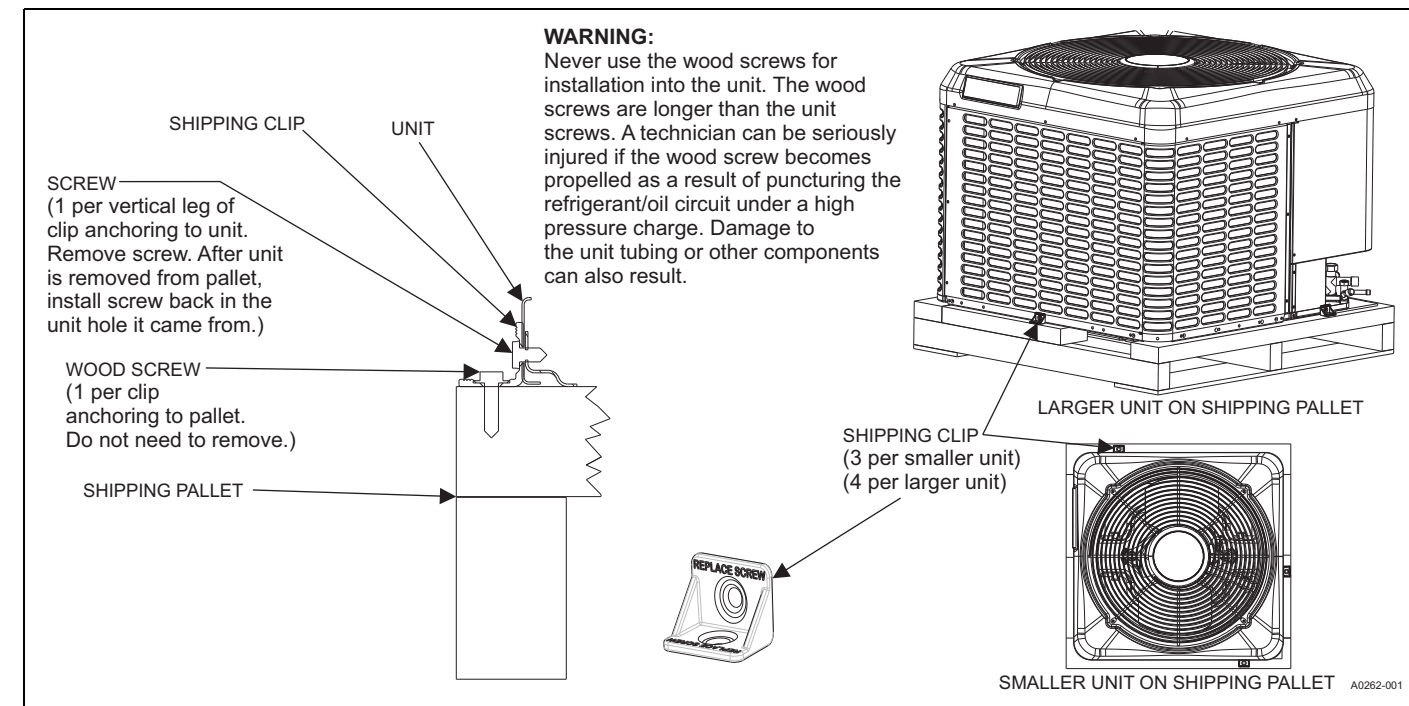
York International Corp.
 5005 York Drive
 Norman, OK 73069

QUICK REFERENCE GUIDE

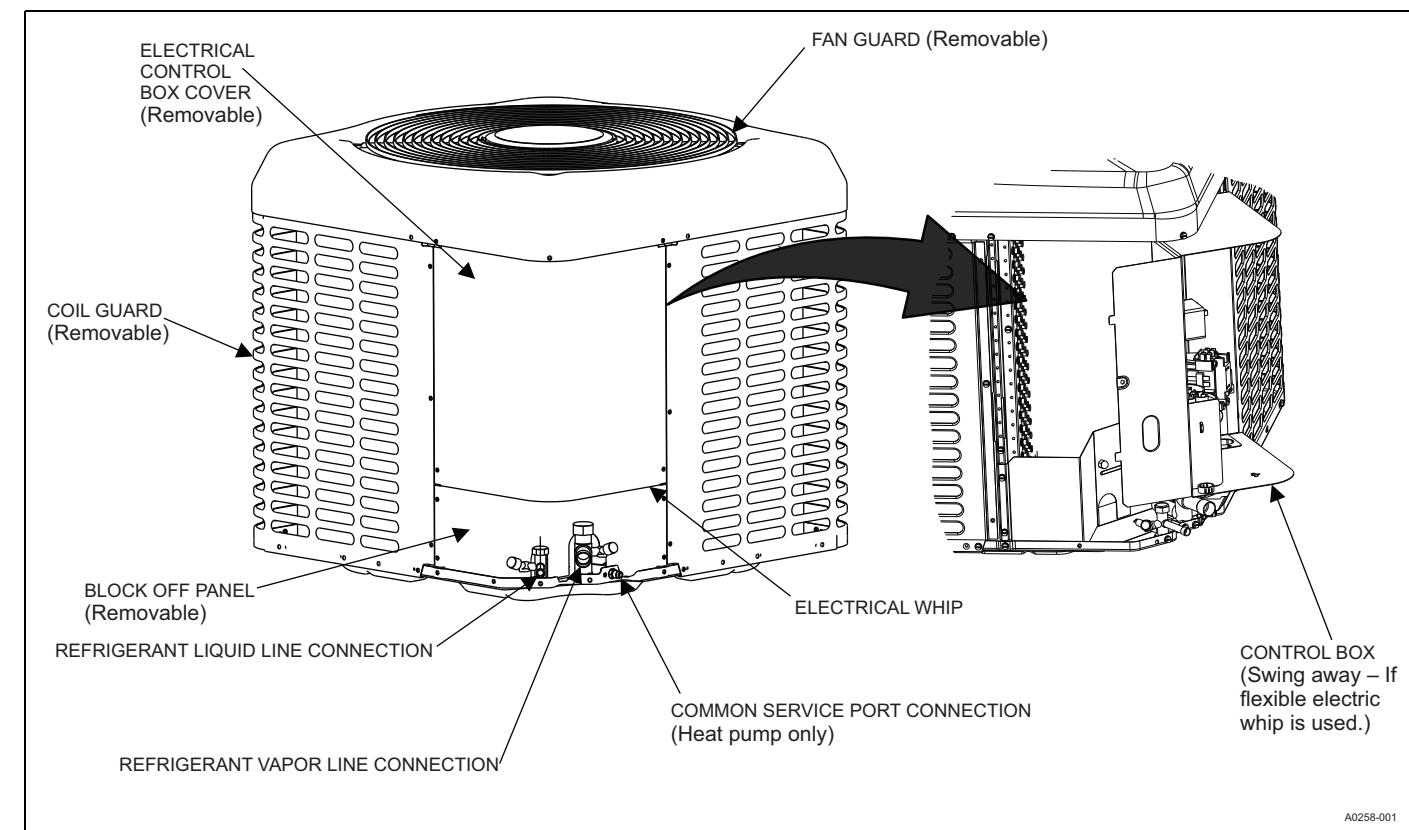
RESIDENTIAL SPLIT AC & HP OUTDOOR UNIT

This document does not replace the Installation Manual, which must be referred to for detailed information.

Removal of Shipping Clips

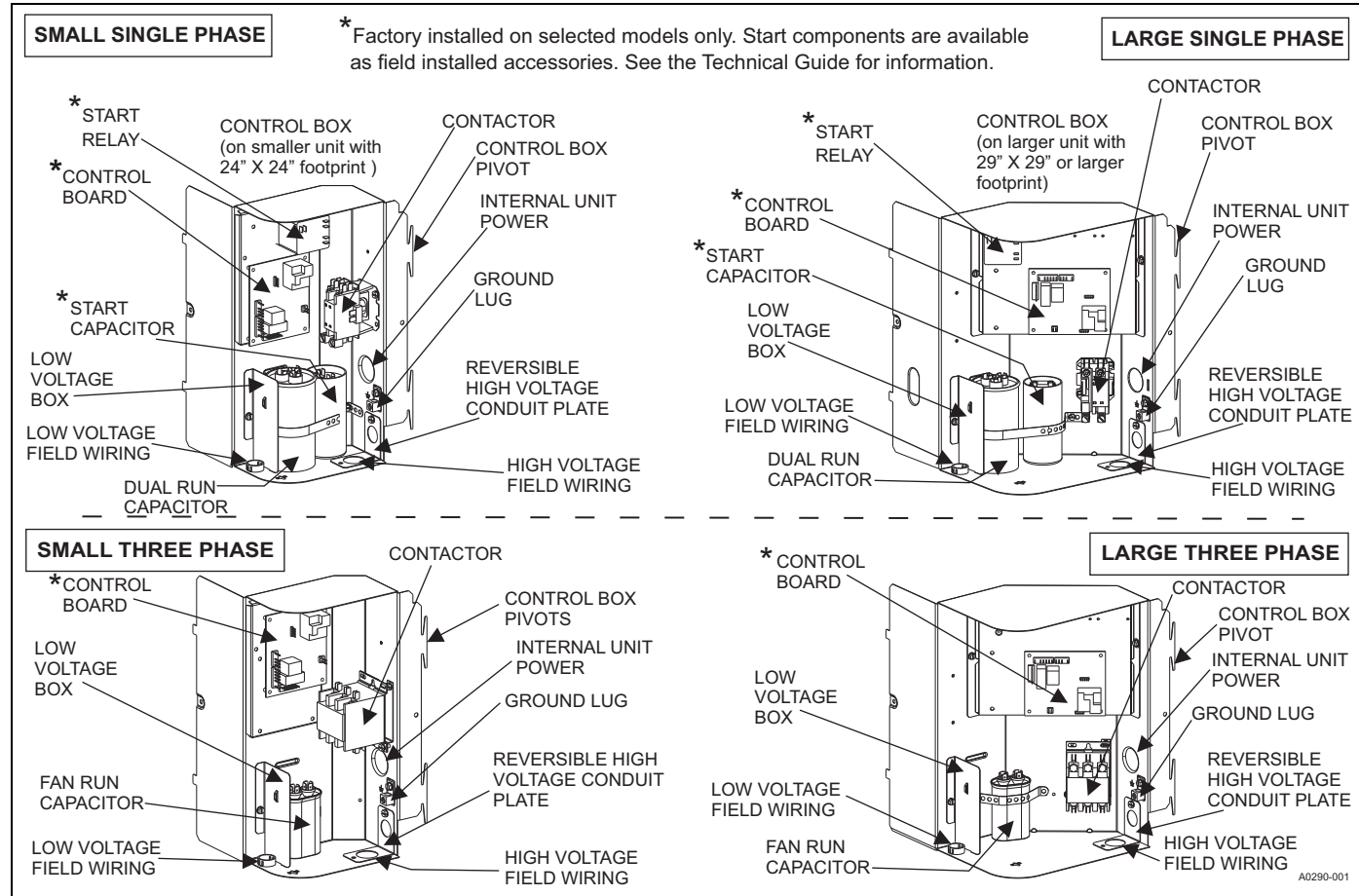


Connection and Access Points



See the Tabular Data Sheet included with the unit for detailed unit dimensions.

Typical Outdoor Unit Control Box and Component Locations

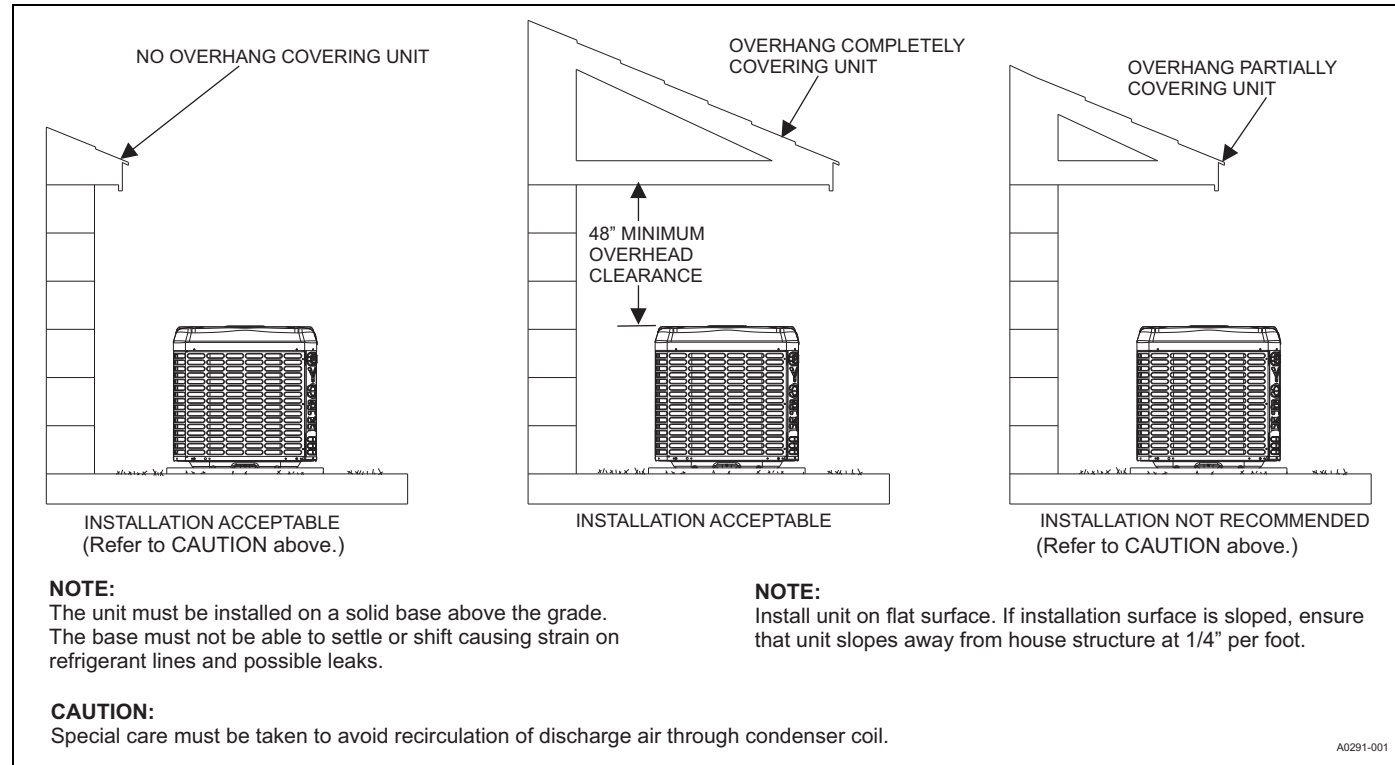


See the Installation Manual included with the unit for detailed wiring information and examples.

CAUTION

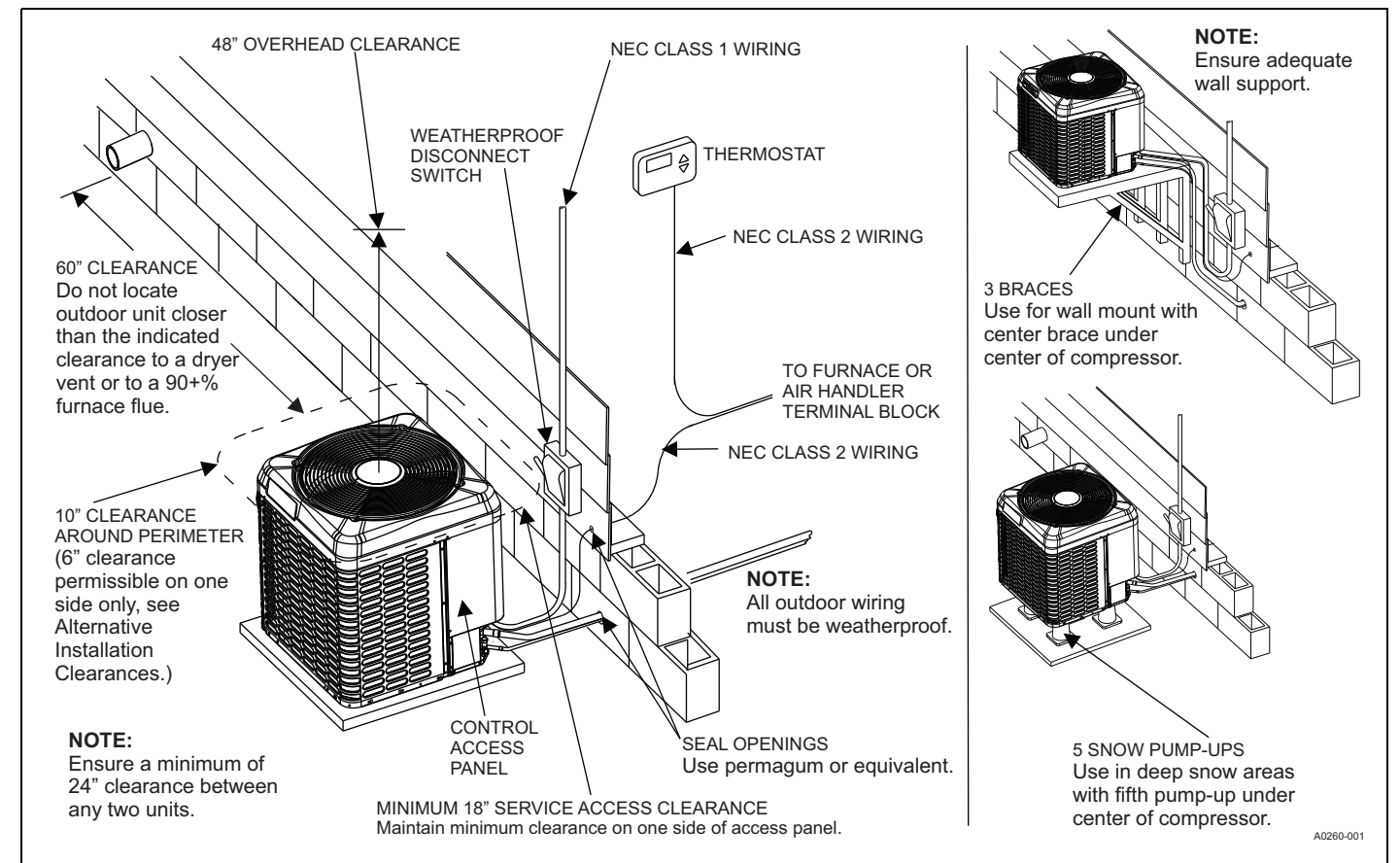
Care must be taken to prevent ice from damaging the unit. Damage may occur from ice falling onto unit from a sloped roof or from a vertical drip line due to a partial overhang.

Typical Installation



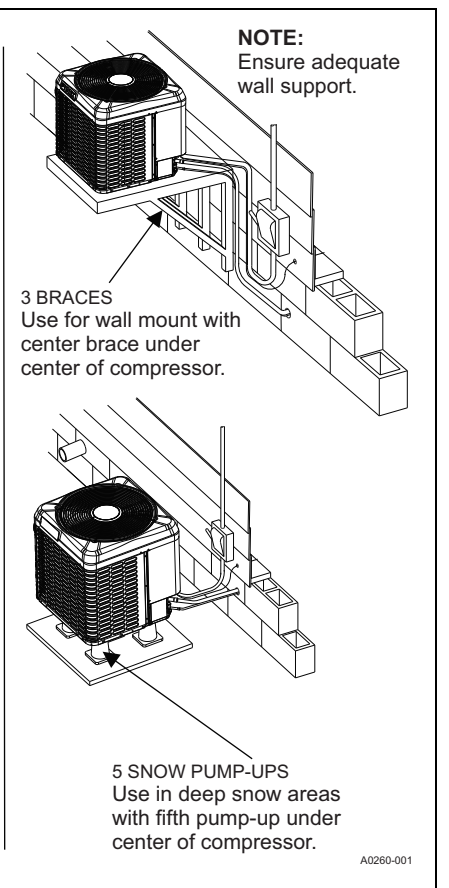
See Installation Manual included with the unit for detailed requirements related to the unit installation.

Typical Installation Clearances

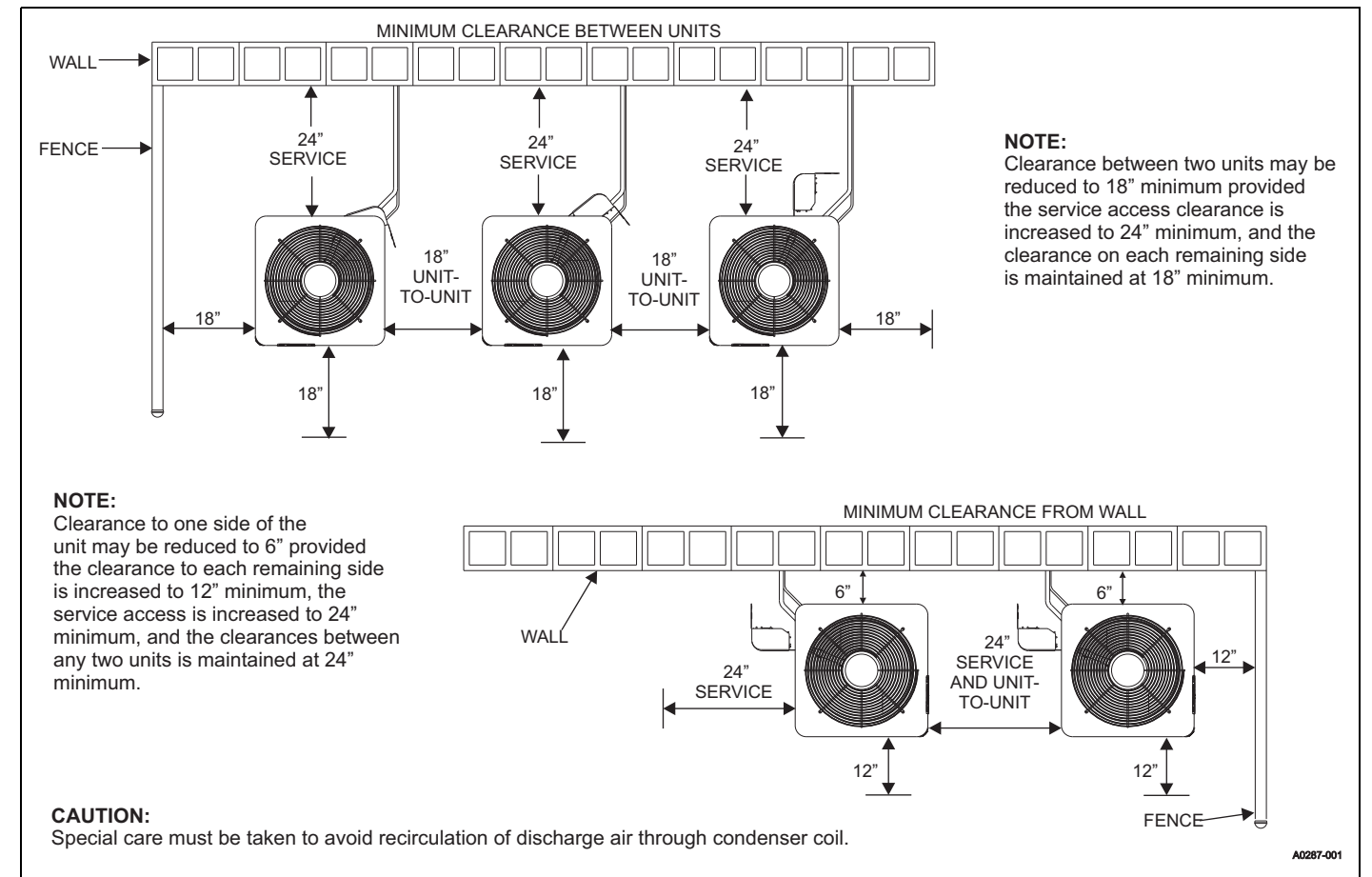


See the Installation Manual included with the unit for detailed requirements related to the unit installation.

Alternative Installations



Alternative Installation Clearances



See the Installation Manual included with the unit for detailed requirements related to the unit installation.