



www.Source1Parts.com

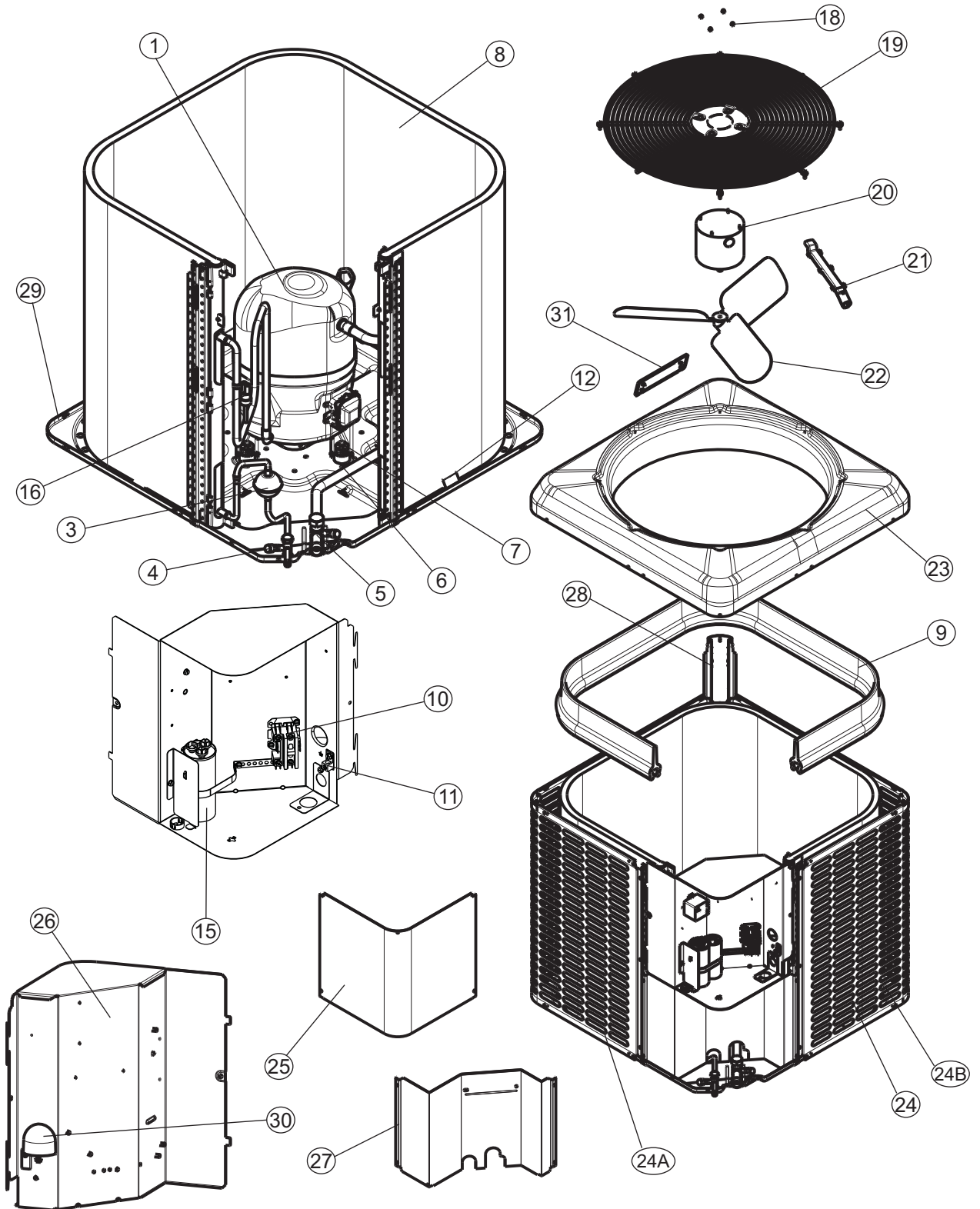
TW4 SERIES - MICROCHANNEL 14 SEER AIR CONDITIONER - R410A (STYLE A)

HVAC SERVICE PARTS

Supersedes:Nothing

035-24530-001 Rev. A (0515)

1 of 4



ITEM	DESCRIPTION	TW4B1821SA	TW4B2421SA	TW4B3021SA	TW4B3621SA
1	Compressor	S1-01504786004	S1-01504787004	S1-01504788004	S1-01504618004
2					
3	Filter Drier	S1-02647795000	S1-02647795000	S1-02647795000	S1-02647795000
4	Base Valve (3/8") (Liquid)	S1-02322459000	S1-02322459000	S1-02322459000	S1-02322459000
5	Base Valve (3/4") (Suction)	S1-02322460000	S1-02322460000	S1-02322460000	S1-02322460000
6	Compressor Mount (Pkg. of 4)	S1-02810581000	S1-02810581000	S1-02810581000	S1-02810581000
7	Bolt, Compressor (4 Req'd)	S1-02131417000	S1-02131417000	S1-02131417000	S1-02131417000
8	Outdoor Coil Assembly	S1-37339413001	S1-37339413002	S1-37339413002	S1-37339413003
9	Molded Foam, Outdoor Coil	S1-02817066000	S1-02817069000	S1-02817069000	S1-02817069000
10	Contactora (30 amp)	S1-02427531000	S1-02427531000	S1-02427531000	S1-02427531000
11	Lug, Ground	S1-02521798000	S1-02521798000	S1-02521798000	S1-02521798000
12	Mount, Coil (6 Req'd)	S1-02817063000	S1-02817063000	S1-02817063000	S1-02817063000
13	Dual Capacitor (30/5 MFD)	S1-02424778700	---	---	---
	Dual Capacitor (35/5 MFD)	---	S1-02425859700	S1-02425859700	---
	Dual Capacitor (45/5 MFD)	---	---	---	S1-02425120700
14					
15					
16	Switch, Pressure (High)	S1-02546848000	S1-02546848000	S1-02546848000	S1-02546848000
17*	Mount, Stand-off, Coil Guard (2 Req'd)	S1-02817062000	S1-02817062000	S1-02817062000	S1-02817062000
18	Kit, Motor Mounting (Acorn Nuts)	S1-36390117700	S1-36390117700	S1-36390117700	S1-36390117700
19	Guard, Fan	S1-02647768000	S1-02647769000	S1-02647769000	S1-02647769000
20	Motor, Fan	S1-02435710000	S1-02436228000	S1-02436228000	S1-02436227000
21	Wireway	S1-02816467000	S1-02816468000	S1-02816468000	S1-02816468000
22	Blade, Fan	S1-02642444000	S1-32634097000	S1-32634097000	S1-02634593000
23	Top	S1-07339395002	S1-07339395005	S1-07339395005	S1-07339395005
24	Panel, Coil Guard (2 Req'd)	S1-07339398002	S1-07339398004	S1-07339398004	S1-07339398006
25	Cover, Control Box	S1-07339400002	S1-07339400005	S1-07339400005	S1-07339400005
26	Box, Control	S1-07339396001	S1-07339396002	S1-07339396002	S1-07339396002
27	Panel, Block-Off	S1-07339399010	S1-07339399003	S1-07339399003	S1-07339399012
28	Post, Corner	S1-07339401005	S1-07339401009	S1-07339401009	S1-07339401007
29	Pan, Base	S1-07339397001	S1-07339397002	S1-07339397002	S1-07339397002
30	Gasket, Rain Hood	S1-02817106000	S1-02817106000	S1-02817106000	S1-02817106000
31*	Badge, Branding	Consult your Source 1 Acct. Rep.			
32*	Harness, Wire, AC	S1-02547245000	S1-02547245000	S1-02547245000	S1-02547245000
33					
34*	Harness, Wiring (6 Pin)	S1-37320055004	---	---	---
35*	Harness, Compressor	S1-02541088000	S1-02541088000	S1-02541088000	S1-02541088000
36*	Wiring Diagram	1183564	1183564	1183564	1183564

NOTE: *Not ShownNew replacement parts shown in **bold** face type at the first printing of parts list dated 5/15.

Major components and suggested stocking items are shown with shaded item number.

"←" Across from row indicates a change in that row.

--- Not applicable to specified model.

ITEM	DESCRIPTION	TW4B4221SA	TW4B4821SA	TW4B6021SA
1	Compressor	S1-01504627004	S1-01504616004	S1-01504615004
2				
3	Filter Drier	S1-02647795000	S1-02647795000	S1-02647795000
4	Base Valve (3/8") (Liquid)	S1-02322459000	S1-02322459000	S1-02322459000
5	Base Valve (7/8") (Suction)	S1-02322461000	S1-02322461000	S1-02322461000
6	Compressor Mount (Pkg. of 4)	S1-02810505000	S1-02810505000	S1-02810505000
7	Bolt, Compressor (4 Req'd)	S1-02131417000	S1-02116047000	S1-02116047000
8	Outdoor Coil Assembly	S1-37339413004	S1-37339413004	S1-37339413005
9	Molded Foam, Outdoor Coil	S1-02817072000	S1-02817072000	S1-02817075000
10	Contactors (30 amp)	S1-02427531000	---	---
	Contactors (40 amp)	---	S1-02425837700	S1-02425837700
11	Lug, Ground	S1-02521798000	S1-02521798000	S1-02521798000
12	Mount, Coil (6 Req'd)	S1-02817063000	S1-02817063000	S1-02817063000
13	Dual Capacitor (45/5 MFD)	S1-02425120700	---	---
	Dual Capacitor (70/5 MFD)	---	S1-02435844000	S1-02435844000
14				
15				
16	Switch, Pressure (High)	S1-02546848000	S1-02546848000	S1-02546848000
17*	Mount, Stand-off, Coil Guard (2 Req'd)	S1-02817062000	S1-02817062000	S1-02817062000
18	Kit, Motor Mounting (Acorn Nuts)	S1-36390117700	S1-36390117700	S1-36390117700
19	Guard, Fan	S1-02647770000	S1-02647770000	S1-02647771000
20	Motor, Fan	S1-02436227000	S1-02436227000	S1-02436227000
21	Wireway	S1-02816469000	S1-02816469000	S1-02816470000
22	Blade, Fan	S1-02642370000	S1-02631361000	S1-02647794000
23	Top	S1-07339395008	S1-07339395008	S1-07339395011
24A	Panel, Coil Guard (LH)	S1-07339398010	S1-07339398010	S1-07339398014
24B	Panel, Coil Guard (RH)	S1-07339398008	S1-07339398008	S1-07339398012
25	Cover, Control Box	S1-07339400005	S1-07339400005	S1-07339400005
26	Box, Control	S1-07339396002	S1-07339396002	S1-07339396002
27	Panel, Block-Off	S1-07339399011	S1-07339399011	S1-07339399012
28	Post, Corner	S1-07339401005	S1-07339401005	S1-07339401007
29	Pan, Base	S1-07339397003	S1-07339397003	S1-07339397004
30	Gasket, Rain Hood	S1-02817106000	S1-02817106000	S1-02817106000
31*	Badge, Branding	Consult your Source 1 Acct. Rep.		
32*	Harness, Wire, AC	S1-02547245000	S1-02547245000	S1-02547245000
33				
34*	Harness, Wiring (6 Pin)	---	---	---
35*	Harness, Compressor	S1-02541088000	S1-02541088000	S1-02541088000
36*	Wiring Diagram	1183564	1183564	1183564

NOTE: *Not ShownNew replacement parts shown in **bold** face type at the first printing of parts list dated 4/15.

Major components and suggested stocking items are shown with shaded item number.

"←" Across from row indicates a change in that row.

--- Not applicable to specified model.

TO ORDER AUTHORIZED FACTORY REPLACEMENT PARTS - Contact your Source1 HVAC Parts Distributor or visit our website at www.Source1Parts.com for a Distributor and Dealer listing.