

TABULAR DATA SHEET

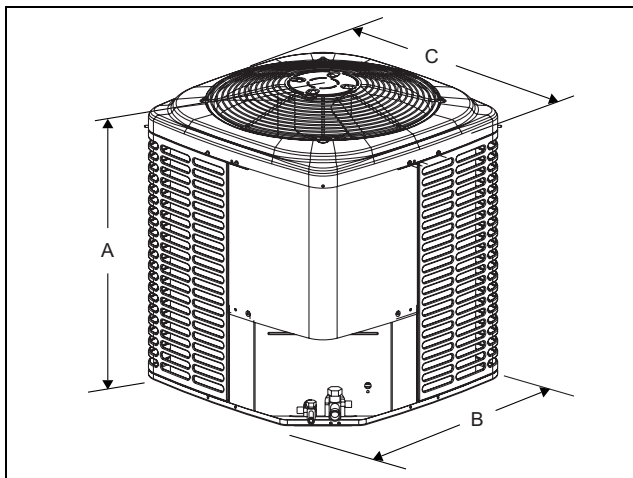
LX SERIES SPLIT SYSTEM AIR CONDITIONERS 14.5 SEER – R-410A – 1 PHASE – 1.5 THRU 5 NOMINAL TONS MODELS: TCJF18 THRU 60

Physical and Electrical Data

MODEL	TCJF18 S41S3(E)	TCJF24 S41S3(E)	TCJF30 S41S3(E)	TCJF36 S41S3(E)	TCJF42 S41S3(E)	TCJF48 S41S4(E)	TCJF60 S41S4(E)
Unit Supply Voltage	208-230V, 1 ϕ , 60Hz						
Normal Voltage Range ¹	187 to 252						
Minimum Circuit Ampacity	12.0	16.8	18.4	19.1	23.9	26.3	32.7
Max. Overcurrent Device Amps ²	20	25	30	30	40	45	50
Min. Overcurrent Device Amps ³	15	20	20	20	25	30	35
Compressor Type	Scroll						
Compressor Amps	Rated Load	9.0	12.8	14.1	14.1	17.9	25.0
	Locked Rotor	46	58	73	77	112	134
Crankcase Heater	No						
Factory External Discharge Muffler	No						
Factory External Check Valve	No						
HS Kit Required with TXV ⁴	No						
Fan Motor Amps	Rated Load	0.8	0.8	0.8	1.5	1.5	1.5
	Fan Diameter Inches	22	22	22	22	24	24
Fan Motor	Rated HP	1/8	1/8	1/8	1/4	1/4	1/4
	Nominal RPM	1075	1075	1075	850	850	850
	Nominal CFM	2750	2750	2800	3200	3600	3700
Coil	Face Area Sq. Ft.	13.1	13.1	17.4	17.4	20.0	24.0
	Rows Deep	1	1	1	1	1	1
	Fins / Inch	23	23	23	23	23	23
Liquid Line Set OD (Field Installed)	3/8	3/8	3/8	3/8	3/8	3/8	3/8
Vapor Line Set OD (Field Installed)	3/4	3/4	3/4	3/4	7/8	7/8	7/8
Unit Charge (Lbs. - Oz.) ⁵	3 - 10	3 - 2	3 - 7	3 - 10	4 - 4	5 - 1	5 - 4
Charge Per Foot, Oz.	0.62	0.62	0.62	0.62	0.67	0.67	0.67
Operating Weight Lbs.	125	128	130	145	172	208	231

Models with "E" on the end of the model number have E-Coated coils.

1. Rated in accordance with AHRI Standard 110-2012, utilization range "A".
2. Dual element fuses or HACR circuit breaker. Maximum allowable overcurrent protection.
3. Dual element fuses or HACR circuit breaker. Minimum recommended overcurrent protection.
4. See Hard Start Kit Accessory Installation Manual for Hard Start Kit part number for each model.
5. The Unit Charge is correct for the outdoor unit, smallest matched indoor unit, and 15 feet of refrigerant tubing. For tubing lengths other than 15 feet, add or subtract the amount of refrigerant, using the difference in actual lineset length (not equivalent length) multiplied by the per foot value.



Unit Model	Dimensions (Inches)			Refrigerant Connection Service Valve Size	
	A	B	C	Liquid	Vapor
18	28-1/4	29-1/2	29-1/2	3/8	3/4
24	28-1/4	29-1/2	29-1/2		
30	36-1/4	29-1/2	29-1/2		
36	36-1/4	29-1/2	29-1/2		
42	34-1/4	34	34	7/8	
48	36-1/4	34	34		
60	40-1/4	34	34		

All dimensions are in inches and are subject to change without notice.
Overall height is from bottom of base pan to top of fan guard.
Overall length and width include screw heads.

System Charge for Various Matched Systems

Outdoor Unit	TCJF18 S41S3(E)	TCJF24 S41S3(E)	TCJF30 S41S3(E)	TCJF36 S41S3(E)	TCJF42 S41S3(E)	TCJF48 S41S4(E)	TCJF60 S41S4(E)
Required TXV ^{1,2}	4F1	4F1	4G1	4G1	4G1	4J1	4J1
Indoor Unit ^{3,4,5}	Additional Charge, oz						
AHE18B	0	-	-	-	-	-	-
AHE24B	15	16	-	-	-	-	-
AHE30B	15	16	13	-	-	-	-
AHE36C	24	23	19	15	-	-	-
AHE42D	-	35	30	25	17	-	-
AHE48D	-	-	-	24	16	11	-
AHE60D	-	-	-	29	22	15	13
AHR18B	0	-	-	-	-	-	-
AHR24B	-	16	-	-	-	-	-
AHR30B	-	-	12	-	-	-	-
AHR36B	-	-	19	15	-	-	-
AHR42C	-	-	-	25	17	-	-
AHR48D	-	-	-	-	16	11	-
AHR60D	-	-	-	-	22	15	13
AHV18B	0	-	-	-	-	-	-
AHV24B	15	16	-	-	-	-	-
AHV30B	15	16	13	-	-	-	-
AHV36C	23	22	19	15	-	-	-
AHV42D	-	-	31	25	17	-	-
AHV48D	-	-	-	24	16	11	-
AHV60D	-	-	-	-	21	15	13
AV*24	3	-	-	-	-	-	-
AV*36	23	23	19	15	-	-	-
AV*48	-	-	-	24	18	11	-
AV*60	-	-	-	-	18	11	9
FC/MC/PC18	0	-	-	-	-	-	-
FC/MC/PC32	15	16	13	-	-	-	-
FC/MC/PC35	15	16	13	-	-	-	-
FC/MC/PC37	23	22	19	15	-	-	-
FC/MC/PC43	23	22	19	15	8	-	-
FC/MC/PC48	-	34	30	25	17	9	-
FC/MC/PC60	-	-	-	24	16	11	9
FC/MC62	-	-	-	29	21	15	13
FC64	-	-	-	39	30	26	21
HD24	14	-	-	-	-	-	-
HD36	19	19	16	-	-	-	-
HD48	-	45	40	34	26	-	-
HD60	-	-	-	-	22	8	6
UC18	2	-	-	-	-	-	-
UC48	-	-	-	-	11	10	-
UC60	-	-	-	24	16	13	11

Some of the combinations shown in the above System Charge table require Advanced Main Air Circulating Fan indoor product. For approved coil only matches, please see the "COOLING CAPACITY - Upflow, Downflow & Horizontal Furnaces and Coils" table in the Technical Guide.

FOOTNOTES:

1. For applications requiring a TXV use S1-1TVM*** series kit.
2. A TXV kit must be used with these indoor units to obtain system performance.
3. Systems matched with furnaces or air handlers not equipped with blower-off delays may require blower Time Delay Kit S1-2FD06700224.
4. PC coils cannot be used in downflow or horizontal applications. FC coils cannot be used in horizontal applications.
5. Refer to Technical Guide for actual performance for specified system matches.

PROCEDURES:

1. Unit factory charge listed on the unit nameplate includes refrigerant for the outdoor unit, the smallest matched indoor unit, and 15 feet of interconnecting line tubing.
2. Verify the TXV and additional charge required for specific matched indoor unit in the system using the above table.
3. Add additional charge for the amount of interconnecting line tubing greater than 15 feet at the rate specified in Physical and Electrical Data Table.
4. For indoor matches requiring additional charge, the refrigerant needs to be weighed in for specific matched indoor unit and actual lineset length.
5. Permanently mark the unit nameplate with the total system charge. Total System Charge = Base Charge (as shipped) + charge adder for matched indoor unit + charge adder for actual lineset length.