



HEATING & AIR CONDITIONING

TECHNICAL GUIDE

LX SERIES

SPLIT-SYSTEM AIR CONDITIONERS

13 SEER – R-410A – 1 PHASE

1.5 THRU 5 NOMINAL TONS

MODELS: TCJD18 THRU 60



Due to continuous product improvement, specifications are subject to change without notice.

Visit us on the web at
www.upgnet.com and www.colemanac.com

Additional rating information can be found at:
www.ahridirectory.org

WARRANTY SUMMARY*

Standard 5-Years limited parts warranty.

Standard 10-Years limited compressor warranty.

Extended 10-Years limited parts warranty when product is registered online within 90 days of purchase for replacement or closing for new home construction.

*Does not apply to R-22 models, 3-Phase models, or internet sales. See Limited Warranty certificate in User's Information Manual for details.

DESCRIPTION

The 13 SEER Series unit is the outdoor part of a versatile climate system. It is designed with a matching indoor coil component from Johnson Controls Unitary Products. Available for typical applications this climate system is supported with accessories and documents to serve specific functions.

FEATURES

- **Small Footprint** - Extremely lightweight with a compact footprint, it is a perfect fit for any application.
- **Quality Condenser Coils** - The coil is constructed of aluminum microchannel tubing and enhanced aluminum fins for reduced size and increased efficiency.
- **Coil Protection** - Coils are protected from damage by a slotted, stamped steel coil guard and secondary polymer mesh.
- **Optional Factory E-Coat** - Available coated coil on select models.
- **Protected Compressor** - Compressors are protected internally by a high pressure relief valve and a temperature sensor, and externally by the system high pressure switch. A factory installed liquid line filter-drier further protects the compressor against moisture and debris.
- **Environmentally Friendly Refrigerant** - The next generation refrigerant R-410A delivers environmentally friendly performance with zero ozone depletion.
- **Durable Finish** - The cabinet is made of G90-equivalent galvanized steel, finished in a durable titanium colored powder-coat. The coated steel wire fan guard and pre-treated, galvanized steel chassis components resist corrosion and rust creep.
- **Lower Installed Cost** - Installation time and costs are reduced by easy power and control wiring connections. The unit is factory charged for a 15-foot lineset. The small base dimension means less space is required on the ground or roof.
- **Top Discharge** - Warm air from the top mounted fan is blown up, away from the structure and any landscaping. This allows compact location on multi-unit applications.
- **Low Operating Sound Levels** - The upward air flow carries the normal operating noise away from the living area. The rigid top panel effectively isolates any motor sound. Isolator mounted compressor and the condenser coil muffle the normal fan motor and compressor operating sounds.
- **Low Maintenance** - Long life, permanently lubricated motor-bearings need no annual servicing.
- **Easy Service Access** - Fully exposed refrigerant connections and a single panel covering the electrical controls make for easy servicing of the unit.
- **Secured Service Valves** - Secured, re-usable service valves are provided on both the liquid and vapor sweat connections for ease of evacuating and charging.
- **Agency Listed** - Safety certified by CSA to UL 1995 / CSA 22.2. Performance certified to ANSI/AHRI Standard 210/240 in accordance with the Unitary Small Equipment certification program.

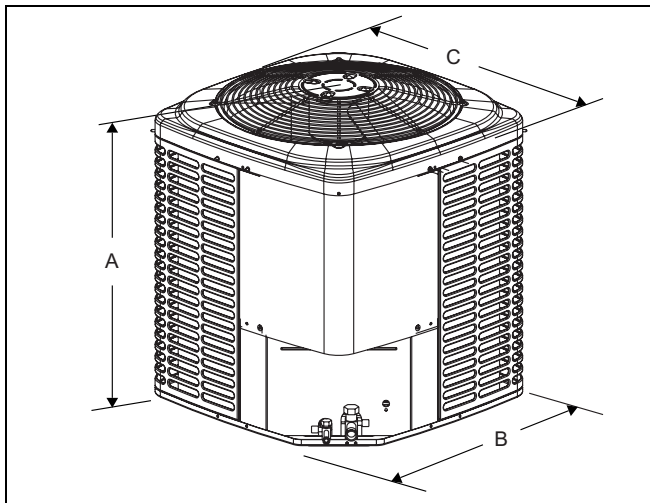
Physical and Electrical Data

MODEL	TCJD18 S41S3(H)(E)	TCJD24 S41S3(H)(E)	TCJD30 S41S3(H)(E)	TCJD36 S41S3(H)(E)	TCJD42 S41S4(H)(E)	TCJD48 S41S3(H)(E)	TCJD60 S41S4(E)
Unit Supply Voltage	208-230V, 1 ϕ , 60Hz						
Normal Voltage Range ¹	187 to 252						
Minimum Circuit Ampacity	10.0	12.4	14.7	17.9	21.5	21.1	34.5
Max. Overcurrent Device Amps ²	15	20	25	30	35	35	60
Min. Overcurrent Device Amps ³	15	15	15	20	25	25	35
Compressor Type	Rotary	Recip	Recip	Recip	Recip	Recip	Scroll
Compressor Amps	Rated Load	7.6	9.3	10.6	13.1	16	26.4
	Locked Rotor	40	43	54	74	88	134
Crankcase Heater	No	No	No	No	No	No	No
Factory External Discharge Muffler	No	No	No	No	No	Yes	No
Factory External Check Valve	No	No	No	No	No	No	No
HS Kit Required with TXV ⁴	Yes	Yes	Yes	Yes	Yes	Yes	No
Fan Motor Amps	Rated Load	0.5	0.8	1.4	1.5	1.5	1.5
	Fan Diameter Inches	17.5	17.5	17.5	22.0	22.0	24.0
Fan Motor	Rated HP	1/12	1/8	1/4	1/4	1/4	1/4
	Nominal RPM	1100	1075	1100	850	850	850
	Nominal CFM	1400	1950	2050	3200	3050	3400
Coil	Face Area Sq. Ft.	9.60	9.60	9.60	13.07	14.16	18.68
	Rows Deep	1	1	1	1	1	1
	Fins / Inch	23	23	23	23	23	23
Liquid Line Set OD (Field Installed)	3/8	3/8	3/8	3/8	3/8	3/8	3/8
Vapor Line Set OD (Field Installed)	5/8*	3/4	3/4	3/4	7/8	7/8	7/8
Unit Charge (Lbs. - Oz.) ⁵	3 - 3	3 - 13	3 - 14	4 - 9	4 - 10	4 - 9	5 - 8
Charge Per Foot, Oz.	0.58	0.62	0.62	0.62	0.67	0.67	0.67
Operating Weight Lbs.	97	129	131	145	164	173	220

Models with "H" on the end of the model number are shipped with a Hard Start Kit installed at the factory.

Models with "E" on the end of the model number have E-Coated coils.

1. Rated in accordance with AHRI Standard 110-2012, utilization range "A".
2. Dual element fuses or HACR circuit breaker. Maximum allowable overcurrent protection.
3. Dual element fuses or HACR circuit breaker. Minimum recommended overcurrent protection.
4. See Hard Start Kit Accessory Installation Manual for Hard Start Kit part number for each model.
5. The Unit Charge is correct for the outdoor unit, smallest matched indoor unit, and 15 feet of refrigerant tubing. For tubing lengths other than 15 feet, add or subtract the amount of refrigerant, using the difference in actual lineset length (not equivalent length) multiplied by the per foot value.



Unit Model	Dimensions (Inches)			Refrigerant Connection Service Valve Size	
	A	B	C	Liquid	Vapor
18	28-1/4	24	24	3/8	3/4*
24	28-1/4	24	24		3/4
30	28-1/4	24	24		
36	28-1/4	29-1/2	29-1/2		
42	30-1/4	29-1/2	29-1/2	7/8	
48	30-1/4	29-1/2	29-1/2		
60	32-1/4	34	34		

* Adapter fitting must be field installed for the required 5/8" line set.

All dimensions are in inches and are subject to change without notice.

Overall height is from bottom of basepan to top of fan guard.

Overall length and width include screw heads.

System Charge for Various Matched Systems							
Outdoor Unit	TCJD18 S41S3(H)(E)	TCJD24 S41S3(H)(E)	TCJD30 S41S3(H)(E)	TCJD36 S41S3(H)(E)	TCJD42 S41S4(H)(E)	TCJD48 S41S3(H)(E)	TCJD60 S41S4(E)
Required Orifice or TXV ^{1,2}	0.048/4F1	0.055/4F1	0.061/4F1	0.065/4G1	0.073/4G1	0.073/4H1	0.084/4J1
Indoor Unit ^{3,4,5}	Additional Charge, oz.						
AHE18B	0	–	–	–	–	–	–
AHE24B	–	4	–	–	–	–	–
AHE30B	–	4	0	–	–	–	–
AHE36C	–	4	2	0	–	–	–
AHE42D	–	–	–	8	10	–	–
AHE48D	–	–	–	–	9	0	–
AHE60D	–	–	–	–	14	–	4
AHR18B	0	–	–	–	–	–	–
AHR24B	–	4	–	–	–	–	–
AHR30B	–	–	0	–	–	–	–
AHR36B	–	–	2	0	–	–	–
AHR42C	–	–	–	8	10	–	–
AHR48D	–	–	–	–	9	0	–
AHR60D	–	–	–	–	15	–	4
AHV18B	0	–	–	–	–	–	–
AHV24B	14	8	–	–	–	–	–
AHV30B	14	8	0	–	–	–	–
AHV36C	22	14	6	0	–	–	–
AHV42D	–	–	18	10	10	–	–
AHV48D	–	–	–	10	9	3	–
AHV60D	–	–	–	–	13	8	4
FC/MC/PC18	0	–	–	–	–	–	–
FC/MC/PC32	–	4	0	–	–	–	–
FC/MC/PC35	–	4	0	–	–	–	–
FC/MC/PC36	–	0	–	–	–	–	–
FC/MC/PC37	–	4	2	0	–	–	–
FC/MC/PC43	–	4	2	0	0	–	–
FC/MC/PC48	–	–	–	8	10	4	–
FC/MC/PC60	–	–	–	–	9	0	0
FC/MC62	–	–	–	–	14	–	4
FC64	–	–	–	–	23	–	11
UC18	0	–	–	–	–	–	–
UC36	–	0	–	–	–	–	–
UC48	–	–	–	8	4	4	–
UC60	–	–	–	–	9	0	0

Some of the combinations shown in the above System Charge table require Advanced Main Air Circulating Fan indoor product. For approved coil only matches, please see the "COOLING CAPACITY - Upflow, Downflow & Horizontal Furnaces and Coils" table.

FOOTNOTES:

1. For applications requiring a TXV use S1-1TVM*** series kit.
2. Approved orifice(s) shipped with outdoor unit.
3. Systems matched with furnaces or air handlers not equipped with blower-off delays may require blower Time Delay Kit S1-2FD06700224.
4. PC coils cannot be used in downflow or horizontal applications. FC coils cannot be used in horizontal applications.
5. Refer to Cooling Performance Data tables for actual system performance for specified system matches.

PROCEDURES:

1. Unit factory charge listed on the unit nameplate includes refrigerant for the outdoor unit, the smallest matched indoor unit, and 15 feet of interconnecting line tubing.
2. Verify the TXV or orifice and additional charge required for specific matched indoor unit in the system using the above table.
3. Add additional charge for the amount of interconnecting line tubing greater than 15 feet at the rate specified in Physical and Electrical Data Table.
4. For indoor matches requiring additional charge, the refrigerant needs to be weighed in for specific matched indoor unit and actual lineset length.
5. Permanently mark the unit nameplate with the total system charge. Total System Charge = Base Charge (as shipped) + charge adder for matched indoor unit + charge adder for actual lineset length.

IMPORTANT

Models 12-48 require Hard Start Kits for TXV matches. Models with "H" on the end of the model number have factory installed Hard Start Kits. For models without an "H" refer to the Hard Start Kit Accessory Installation Manual for the Hard Start Kit part number for each model.

COOLING CAPACITY - With Air Handler Coils

UNIT MODEL	AIR HANDLER		COIL MODEL ¹	COOLING				
	MODEL	WIDTH		RATED CFM	NET MBH		SEER	EER
					TOTAL	SENS.		
13 SEER AC WITH AIR HANDLERS								
TCJD18S41S1(H)(E)	AHE18B	17.5	–	610	17.9	13.8	14.75	12.25
	AHR18B	17.5	–	665	17.8	13.8	13.00	11.00
	AHV18B	17.5	–	615	17.6	13.4	14.25	12.25
	AHV24B	17.5	–	580	17.8	13.5	14.50	12.50
	AHV30B	17.5	–	700	18.0	14.5	14.50	12.50
	AHV36C	21.0	–	670	18.2	14.5	15.00	12.75
	MV12B	17.5	FC/MC18B	600	17.5	13.3	14.00	12.50
	MX12BN21	17.5	FC/MC18B	600	17.8	13.4	14.70	12.50
TCJD24S41S1(H)(E)	AHE24B	17.5	–	795	24.4	17.4	14.50	12.00
	AHE30B	17.5	–	795	24.4	17.4	14.50	12.00
	AHE36C	21.0	–	855	25.2	18.5	15.00	12.50
	AHR24B	17.5	–	740	23.8	16.5	13.00	11.00
	AHV24B	17.5	–	710	24.0	16.5	14.00	12.00
	AHV30B	17.5	–	775	24.0	16.9	14.25	12.00
	AHV36C	21.0	–	760	24.0	17.0	14.50	12.25
	MV12B	17.5	FC/MC35B	800	24.0	17.4	14.00	12.00
	MV12B	17.5	FC/MC36B	800	24.0	17.4	14.00	12.00
	MV12B	17.5	FC/MC43B	800	24.0	17.3	14.00	12.00
	MX12BN21	17.5	FC/MC35B	800	24.6	17.5	14.50	12.50
	MX12BN21	17.5	FC/MC36B	800	24.4	17.4	14.50	12.25
	MX12BN21	17.5	FC/MC43B	800	24.8	17.7	14.75	12.50
	MX16CN21	21.0	FC/MC35C	800	24.6	17.4	14.00	12.00
	MX16CN21	21.0	FC/MC36C	800	24.4	17.3	13.75	12.00
MX16CN21	21.0	FC/MC43C	800	24.8	17.7	14.25	12.25	
TCJD30S41S1(H)(E)	AHE30B	17.5	–	985	29.4	21.4	14.00	11.75
	AHE36C	21.0	–	1000	30.2	22.0	14.75	12.25
	AHR30B	17.5	–	1095	29.4	22.2	13.00	11.00
	AHR36B	17.5	–	1060	29.8	22.0	13.00	11.00
	AHV30B	17.5	–	1000	29.0	21.3	13.50	11.50
	AHV36C	21.0	–	895	29.0	20.9	14.50	12.00
	AHV42D	24.5	–	1080	30.0	22.8	14.75	12.25
	MV12B	17.5	FC/MC35B	1000	29.0	21.6	14.00	12.00
	MV12B	17.5	FC/MC43B	1000	29.0	21.6	14.00	12.00
	MV16C	21.0	FC/MC35C	1000	30.0	21.6	14.00	12.00
	MV16C	21.0	FC/MC43C	1000	30.0	21.6	14.00	12.00
	MX12BN21	17.5	FC/MC35B	975	29.4	21.7	14.25	12.00
	MX12BN21	17.5	FC/MC43B	975	29.6	22.1	14.50	12.25
	MX16CN21	21.0	FC/MC35C	1000	29.4	21.7	14.30	12.20
	MX16CN21	21.0	FC/MC43C	950	29.6	21.5	14.95	12.50
TCJD36S41S1(H)(E)	AHE36C	21.0	–	1190	35.6	25.4	14.25	12.00
	AHE42D	24.5	–	1180	35.8	25.8	14.50	12.25
	AHR36B	17.5	–	1245	34.6	24.6	13.00	11.00
	AHR42C	21.0	–	1230	35.6	25.4	13.00	11.25
	AHV36C	21.0	–	1215	35.8	25.8	13.75	12.00
	AHV42D	24.5	–	1180	36.0	25.8	14.50	12.25
	AHV48D	24.5	–	1155	35.6	25.2	14.50	12.25
	MV12B	17.5	FC/MC43B	1225	35.4	25.2	14.00	11.75
	MV12D	24.5	FC/MC48D	1135	35.0	25.4	14.00	12.00
	MV16C	21.0	FC/MC43C	1200	36.0	25.4	14.00	12.00
	MV16C	21.0	FC/MC48C	1200	36.0	25.4	14.00	12.00
	MV20D	24.5	FC/MC48D	1200	36.0	25.6	14.00	12.00
	MX12BN21	17.5	FC/MC43B	1125	35.0	24.5	13.75	12.00
	MX12DN21	24.5	FC/MC48D	1125	35.4	25.3	14.50	12.50
	MX16CN21	21.0	FC/MC43C	1200	35.4	25.5	14.10	12.25

For Notes See Page 5.

COOLING CAPACITY - With Air Handler Coils (Continued)

UNIT MODEL	AIR HANDLER		COIL MODEL ¹	COOLING				
	MODEL	WIDTH		RATED CFM	NET MBH		SEER	EER
					TOTAL	SENS.		
13 SEER AC WITH AIR HANDLERS								
TCJD36S41S1(H)(E)	MX16CN21	21.0	FC/MC48C	1200	35.6	25.7	14.15	12.35
	MX20DN21	24.5	FC/MC48D	1200	36.0	26.1	14.50	12.75
TCJD42S41S2(H)(E)	AHE42D	24.5	—	1385	42.0	30.6	14.25	12.00
	AHE48D	24.5	—	1385	42.0	30.4	14.00	12.00
	AHE60D	24.5	—	1390	42.0	31.0	14.50	12.00
	AHR42C	21.0	—	1485	42.0	30.8	13.00	11.00
	AHR48D	24.5	—	1320	41.0	28.8	13.00	11.00
	AHR60D	24.5	—	1350	42.0	30.2	13.00	11.00
	AHV42D	24.5	—	1385	42.0	30.2	13.75	11.75
	AHV48D	24.5	—	1300	41.5	29.1	14.00	12.00
	AHV60D	24.5	—	1340	42.0	30.2	14.00	12.00
	MV16C	21.0	FC/MC43C	1380	42.0	30.2	14.00	12.00
	MV16C	21.0	FC/MC48C	1400	42.0	30.4	13.75	11.75
	MV16C	21.0	FC60C	1400	42.0	30.0	13.75	11.50
	MV20D	24.5	FC/MC48D	1470	42.0	31.0	14.25	12.00
	MV20D	24.5	FC/MC60D	1400	42.0	30.2	14.00	11.75
	MV20D	24.5	FC/MC62D	1400	42.0	30.8	14.00	12.00
	MV20D	24.5	FC64D	1400	42.0	30.8	14.50	12.25
	MX16CN21	21.0	FC/MC43C	1400	41.5	30.0	13.75	11.75
	MX16CN21	21.0	FC/MC48C	1400	42.0	30.2	13.80	11.85
	MX16CN21	21.0	FC60C	1400	42.0	30.0	13.80	11.80
	MX20DN21	24.5	FC/MC48D	1375	42.5	30.4	14.25	12.00
MX20DN21	24.5	FC/MC60D	1375	42.0	30.2	14.25	12.00	
MX20DN21	24.5	FC/MC62D	1400	42.5	31.0	14.50	12.25	
MX20DN21	24.5	FC64D	1400	44.0	32.0	14.75	12.50	
TCJD48S41S1(H)(E)	AHE48D	24.5	—	1600	47.0	34.6	13.75	11.50
	AHR48D	24.5	—	1610	48.0	34.6	13.00	11.00
	AHV48D	24.5	—	1585	47.5	34.0	13.25	11.50
	AHV60D	24.5	—	1570	48.0	35.0	13.50	12.00
	MV16C	21.0	FC/MC48C	1600	48.0	35.0	13.50	12.00
	MV16C	21.0	FC60C	1625	47.5	34.6	13.50	11.50
	MV20D	24.5	FC/MC48D	1600	48.0	35.0	13.50	12.00
	MV20D	24.5	FC/MC60D	1600	48.0	35.0	13.50	12.00
	MX16CN21	21.0	FC/MC48C	1600	48.5	35.0	13.65	11.75
	MX16CN21	21.0	FC60C	1600	48.5	34.6	13.25	11.75
	MX20DN21	24.5	FC/MC48D	1525	48.5	34.8	14.00	12.00
	MX20DN21	24.5	FC/MC60D	1525	49.0	35.0	14.00	12.25
TCJD60S41S2(E)	AHE60D	24.5	—	1835	56.5	41.1	13.50	11.50
	AHR60D	24.5	—	1620	55.0	39.1	13.00	11.00
	AHV60D	24.5	—	1635	55.0	39.1	13.50	11.50
	MV20D	24.5	FC/MC60D	1845	55.5	39.6	13.25	11.25
	MV20D	24.5	FC/MC62D	1855	56.0	40.6	13.25	11.25
	MV20D	24.5	FC64D	1855	57.5	42.1	13.75	11.50
	MX20DN21	24.5	FC/MC60D	1725	55.0	38.7	13.70	11.50
	MX20DN21	24.5	FC/MC62D	1750	56.0	40.2	13.95	11.75
MX20DN21	24.5	FC64D	1750	57.5	41.7	14.25	12.10	

Rated in accordance with DOE test procedures (Federal Register 12-27-79 and 3-18-88) and ANSI/AHRI Standard 210/240.

Cooling MBH based on 80°F entering air temperature, 50% RH (Relative Humidity), and rated air flow.

EER (Energy Efficiency Ratio) is the total cooling output in BTUs at 95°F outdoor ambient divided by the total electric power in watt-hours at those conditions.

SEER (Seasonal Energy Efficiency Ratio) is the total cooling output in BTUs during a normal annual usage period for cooling divided by the total electric power input in watt-hours during the same period.

1. MC coils available with a factory installed horizontal drain pan. See price pages for specific model number.

— = Not applicable.

MA Modular Air Handlers use Coil Only Ratings.

COOLING CAPACITY - Upflow, Downflow & Horizontal Furnaces and Coils (Coil Only Ratings)

UNIT MODEL	COIL		CFM RANGE (MIN.-MAX.)	COOLING				
	MODEL	WIDTH		RATED CFM	NET MBH		SEER ¹	EER
					TOTAL	SENS.		
13 SEER AC COIL ONLY RATINGS								
TCJD18S41S3(H)(E)	FC/MC/PC18	14.5,17.5	450-750	600	17.5	12.9	13.00	11.00
	UC18	14.5,17.5	450-750	600	17.5	12.9	13.00	11.00
TCJD24S41S3(H)(E)	FC/MC/PC32	14.5	600-1000	800	24.0	16.7	13.00	11.00
	FC/MC/PC35	17.5,21.0	600-1000	800	24.0	16.7	13.00	11.00
	FC/MC/PC36	14.5,17.5,21.0	600-1000	800	24.0	16.7	13.00	11.00
	FC/MC/PC37	14.5	600-1000	800	24.0	16.7	13.00	11.00
	FC/MC/PC43	17.5,21.0	600-1000	800	24.0	16.7	13.00	11.00
	UC36	14.5,17.5,21.0	600-1000	800	24.0	16.7	13.00	11.00
TCJD30S41S3(H)(E)	FC/MC/PC32	14.5	800-1200	1000	29.0	21.0	13.00	11.00
	FC/MC/PC35	17.5,21.0	800-1200	1000	29.0	21.0	13.00	11.00
	FC/MC/PC37	14.5	800-1200	1000	29.0	21.0	13.00	11.00
	FC/MC/PC43	17.5,21.0	800-1200	1000	29.0	21.0	13.00	11.00
TCJD36S41S3(H)(E)	FC/MC/PC37	14.5	1000-1400	1200	35.0	24.8	13.00	11.00
	FC/MC/PC43	17.5,21.0	1000-1400	1200	35.0	24.8	13.00	11.00
	FC/MC/PC48	21.0,24.5	1000-1400	1200	35.0	24.8	13.00	11.00
	UC48	21.0,24.5	1000-1400	1200	35.0	24.8	13.00	11.00
TCJD42S41S4(H)(E)	FC/MC/PC43	17.5,21.0	1200-1600	1400	41.5	29.8	13.00	11.00
	FC/MC/PC48	21.0,24.5	1200-1600	1400	42.0	30.0	13.00	11.00
	FC/MC/PC60	21.0,24.5	1200-1600	1400	41.5	29.6	13.00	11.00
	FC/MC62	24.5	1200-1600	1400	42.0	30.4	13.00	11.00
	FC64	24.5	1200-1600	1400	42.0	30.8	13.25	11.25
	UC48	21.0,24.5	1200-1600	1400	42.0	30.0	13.00	11.00
TCJD48S41S3(H)(E)	FC/MC/PC48	21.0,24.5	1400-1800	1600	48.0	34.4	13.00	11.00
	FC/MC/PC60	21.0,24.5	1400-1800	1600	48.0	34.4	13.00	11.00
	UC48	21.0,24.5	1400-1800	1600	48.0	34.4	13.00	11.00
	UC60	21.0,24.5	1400-1800	1600	48.0	34.4	13.00	11.00
TCJD60S41S4(E)	FC/MC/PC60	21.0,24.5	1600-2000	1800	55.0	39.1	13.00	11.00
	FC/MC62	24.5	1600-2000	1800	55.5	40.1	13.00	11.00
	FC64	24.5	1600-2000	1800	57.5	42.1	13.50	11.25
	UC60	21.0,24.5	1600-2000	1600	53.5	37.0	13.00	10.75

1. Requires a S1-2FD06700224 Blower Time Delay unless a standard furnace is equipped with one.

MA Modular Air Handlers use Coil Only Ratings.

PSC furnaces, such as the TG8S, TGLS, and TG9S, use Coil Only Ratings.

COOLING CAPACITY - With High Efficiency Motor Furnaces

UNIT MODEL	FURNACE		COIL MODEL ¹	COOLING				
	MODEL	WIDTH		RATED CFM	NET MBH		SEER	EER
					TOTAL	SENS.		
13 SEER AC WITH HIGH EFFICIENCY MOTOR FURNACES²								
TCJD18S41S1(H)(E)	T*(8,L)V*A12	14.5	FC/MC/PC18A	620	17.5	12.7	14.50	12.50
	T*(8,L)V*A12	14.5	UC18A	620	17.5	12.7	14.50	12.00
	T*(8,L)V*B12	17.5	FC/MC/PC18B	580	17.5	12.6	14.50	12.00
	T*(8,L)V*B12	17.5	UC18B	580	17.5	12.5	14.50	12.00
	T*9(C,V)*B12	17.5	FC/MC/PC18B	610	17.5	12.8	14.50	12.50
	T*9(C,V)*B12	17.5	UC18B	610	17.5	12.6	14.50	12.50
	T*9V*A10	14.5	FC/MC/PC18A	580	18.0	13.3	14.00	12.50
	TM8X060A12MP11	14.5	FC/MC/PC18A	600	17.8	13.4	14.40	12.50
	TM8X060A12MP11	14.5	UC18A	600	17.9	13.5	14.50	12.25
	TM8X080B12MP11	17.5	FC/MC/PC18B	600	17.8	13.3	14.30	12.50
	TM8X080B12MP11	17.5	UC18B	600	17.9	13.5	14.45	12.25
	TM9E040A10MP11	14.5	FC/MC/PC18A	600	17.5	13.1	13.40	11.75
	TM9E040A10MP11	14.5	UC18A	600	17.7	13.3	13.25	11.50
	TM9E060B12MP11	17.5	FC/MC/PC18B	600	17.7	13.3	14.15	12.35
	TM9E060B12MP11	17.5	UC18B	600	17.9	13.4	14.30	12.25
	TM9E080B12MP11	17.5	FC/MC/PC18B	600	17.7	13.3	14.15	12.35
	TM9E080B12MP11	17.5	UC18B	600	17.9	13.4	14.30	12.25
	TM9X040A10MP11	14.5	FC/MC/PC18A	600	17.5	13.1	13.40	11.75
	TM9X040A10MP11	14.5	UC18A	600	17.7	13.3	13.25	11.50
	TM9X060B12MP11	17.5	FC/MC/PC18B	600	17.7	13.3	14.15	12.35
	TM9X060B12MP11	17.5	UC18B	600	17.9	13.4	14.30	12.25
	TM9X080B12MP11	17.5	FC/MC/PC18B	600	17.7	13.3	14.15	12.35
	TM9X080B12MP11	17.5	UC18B	600	17.9	13.4	14.30	12.25
	TMLX060A12MP11	14.5	FC/MC/PC18A	600	17.8	13.4	14.40	12.50
	TMLX060A12MP11	14.5	UC18A	600	17.9	13.5	14.50	12.25
	TMLX080B12MP11	17.5	FC/MC/PC18B	600	17.8	13.3	14.30	12.50
	TMLX080B12MP11	17.5	UC18B	600	17.9	13.5	14.45	12.25
	C*(8,L)C*A12	14.5	FC/MC/PC18A	620	17.5	12.7	14.50	12.50
	C*(8,L)C*A12	14.5	UC18A	620	17.5	12.7	14.50	12.00
	C*(8,L)C*B12	17.5	FC/MC/PC18B	580	17.5	12.6	14.50	12.00
	C*(8,L)C*B12	17.5	UC18B	580	17.5	12.5	14.50	12.00
	C*9C*B12	17.5	FC/MC/PC18B	610	17.5	12.8	14.50	12.50
C*9C*B12	17.5	UC18B	610	17.5	12.6	14.50	12.50	
TCJD24S41S1(H)(E)	T*(8,L)V*A12	14.5	FC/MC/PC32A	775	24.0	17.0	14.00	11.50
	T*(8,L)V*A12	14.5	FC/MC/PC36A	805	24.0	16.9	14.00	12.00
	T*(8,L)V*A12	14.5	FC/MC/PC37A	805	24.0	17.0	14.00	12.00
	T*(8,L)V*A12	14.5	UC36A	805	23.6	16.6	13.80	11.50
	T*(8,L)V*B12	17.5	FC/MC/PC35B	760	24.0	16.8	14.00	12.00
	T*(8,L)V*B12	17.5	FC/MC/PC36B	765	24.0	17.0	14.00	12.00
	T*(8,L)V*B12	17.5	FC/MC/PC43B	760	24.0	16.9	14.00	12.00
	T*(8,L)V*B12	17.5	UC36B	765	23.6	16.7	14.00	11.50
	T*9(C,V)*B12	17.5	FC/MC/PC35B	815	24.0	17.1	14.00	12.00
	T*9(C,V)*B12	17.5	FC/MC/PC36B	815	24.0	16.9	14.00	12.00
	T*9(C,V)*B12	17.5	FC/MC/PC43B	800	24.0	17.0	14.00	12.00
	T*9(C,V)*B12	17.5	UC36B	815	23.6	16.7	13.80	11.50
	T*9V*A10	14.5	FC/MC/PC32A	785	24.2	16.9	13.75	11.50
	T*9V*A10	14.5	FC/MC/PC36A	790	24.0	16.8	13.50	11.50
	T*9V*A10	14.5	FC/MC/PC37A	790	24.6	17.2	13.75	11.75
	TM8X060A12MP11	14.5	FC/MC/PC32A	800	24.6	17.4	14.00	12.00
	TM8X060A12MP11	14.5	FC/MC/PC36A	775	24.6	17.4	14.25	12.25

For notes see Page 19.

COOLING CAPACITY - With High Efficiency Motor Furnaces (Continued)

UNIT MODEL	FURNACE		COIL MODEL ¹	COOLING				
	MODEL	WIDTH		RATED CFM	NET MBH		SEER	EER
					TOTAL	SENS.		
13 SEER AC WITH HIGH EFFICIENCY MOTOR FURNACES²								
TCJD24S41S1(H)(E)	TM8X060A12MP11	14.5	FC/MC/PC37A	800	24.8	17.7	14.25	12.25
	TM8X060A12MP11	14.5	UC36A	775	24.2	17.1	14.00	12.25
	TM8X080B12MP11	17.5	FC/MC/PC35B	750	24.0	16.9	14.00	12.00
	TM8X080B12MP11	17.5	FC/MC/PC36B	775	24.6	17.4	14.25	12.25
	TM8X080B12MP11	17.5	FC/MC/PC43B	775	24.8	17.8	14.50	12.50
	TM8X080B12MP11	17.5	UC36B	775	24.0	17.1	14.00	12.00
	TM8X080C16MP11	21.0	FC/MC/PC35C	800	24.4	17.3	13.50	11.75
	TM8X080C16MP11	21.0	FC/MC/PC36C	750	24.4	17.0	14.50	12.50
	TM8X080C16MP11	21.0	FC/MC/PC43C	800	24.6	17.6	13.75	11.75
	TM8X080C16MP11	21.0	UC36C	750	24.2	17.2	14.50	12.25
	TM8X100C16MP11	21.0	FC/MC/PC35C	800	24.4	17.3	13.50	11.75
	TM8X100C16MP11	21.0	FC/MC/PC36C	750	24.4	17.0	14.50	12.50
	TM8X100C16MP11	21.0	FC/MC/PC43C	800	24.6	17.6	13.75	11.75
	TM8X100C16MP11	21.0	UC36C	750	24.2	17.2	14.50	12.25
	TM8X100C20MP11	21.0	FC/MC/PC35C	800	24.4	17.3	13.25	11.50
	TM8X100C20MP11	21.0	FC/MC/PC36C	800	24.2	17.2	13.25	11.50
	TM8X100C20MP11	21.0	FC/MC/PC43C	800	24.6	17.5	13.75	11.75
	TM8X100C20MP11	21.0	UC36C	800	23.8	16.8	13.25	11.25
	TM8X120C20MP11	21.0	FC/MC/PC35C	800	24.4	17.3	13.25	11.50
	TM8X120C20MP11	21.0	FC/MC/PC36C	800	24.2	17.2	13.25	11.50
	TM8X120C20MP11	21.0	FC/MC/PC43C	800	24.6	17.5	13.75	11.75
	TM8X120C20MP11	21.0	UC36C	800	23.8	16.8	13.25	11.25
	TM9E040A10MP11	14.5	FC/MC/PC32A	775	24.2	17.2	13.45	11.75
	TM9E040A10MP11	14.5	FC/MC/PC36A	800	24.2	17.1	13.50	11.75
	TM9E040A10MP11	14.5	FC/MC/PC37A	800	24.4	17.5	13.75	11.75
	TM9E060B12MP11	17.5	FC/MC/PC35B	800	24.4	17.3	13.50	11.75
	TM9E060B12MP11	17.5	FC/MC/PC36B	800	24.2	17.2	13.80	12.00
	TM9E060B12MP11	17.5	FC/MC/PC43B	800	24.6	17.6	13.75	11.75
	TM9E060B12MP11	17.5	UC36B	800	23.8	16.9	13.25	11.50
	TM9E080B12MP11	17.5	FC/MC/PC35B	800	24.4	17.3	13.50	11.75
	TM9E080B12MP11	17.5	FC/MC/PC36B	800	24.2	17.2	13.80	12.00
	TM9E080B12MP11	17.5	FC/MC/PC43B	800	24.6	17.6	13.75	11.75
	TM9E080B12MP11	17.5	UC36B	800	23.8	16.9	13.25	11.50
	TM9E080C16MP11	21.0	FC/MC/PC35C	800	24.2	17.2	13.60	11.85
	TM9E080C16MP11	21.0	FC/MC/PC36C	800	24.2	17.1	13.55	11.80
	TM9E080C16MP11	21.0	FC/MC/PC43C	800	24.4	17.5	13.50	11.50
	TM9E100C16MP11	21.0	FC/MC/PC35C	800	24.2	17.2	13.60	11.85
	TM9E100C16MP11	21.0	FC/MC/PC36C	800	24.2	17.1	13.55	11.80
	TM9E100C16MP11	21.0	FC/MC/PC43C	800	24.4	17.5	13.50	11.50
	TM9E100C20MP11	21.0	FC/MC/PC35C	800	24.6	17.4	14.00	12.00
	TM9E100C20MP11	21.0	FC/MC/PC36C	800	24.4	17.3	14.00	12.00
	TM9E100C20MP11	21.0	FC/MC/PC43C	800	24.8	17.7	14.25	12.00
TM9E100C20MP11	21.0	UC36C	800	24.0	17.0	13.75	11.75	
TM9X040A10MP11	14.5	FC/MC/PC32A	775	24.2	17.2	13.45	11.75	
TM9X040A10MP11	14.5	FC/MC/PC36A	800	24.2	17.1	13.50	11.75	
TM9X040A10MP11	14.5	FC/MC/PC37A	800	24.4	17.5	13.75	11.75	
TM9X060B12MP11	17.5	FC/MC/PC35B	800	24.4	17.3	13.50	11.75	
TM9X060B12MP11	17.5	FC/MC/PC36B	800	24.2	17.2	13.80	12.00	
TM9X060B12MP11	17.5	FC/MC/PC43B	800	24.6	17.6	13.75	11.75	
TM9X060B12MP11	17.5	UC36B	800	23.8	16.9	13.25	11.50	

For notes see Page 19.

COOLING CAPACITY - With High Efficiency Motor Furnaces (Continued)

UNIT MODEL	FURNACE		COIL MODEL ¹	COOLING				
	MODEL	WIDTH		RATED CFM	NET MBH		SEER	EER
					TOTAL	SENS.		
13 SEER AC WITH HIGH EFFICIENCY MOTOR FURNACES²								
TCJD24S41S1(H)(E)	TM9X080B12MP11	17.5	FC/MC/PC35B	800	24.4	17.3	13.50	11.75
	TM9X080B12MP11	17.5	FC/MC/PC36B	800	24.2	17.2	13.80	12.00
	TM9X080B12MP11	17.5	FC/MC/PC43B	800	24.6	17.6	13.75	11.75
	TM9X080B12MP11	17.5	UC36B	800	23.8	16.9	13.25	11.50
	TM9X080C16MP11	21.0	FC/MC/PC35C	800	24.2	17.2	13.60	11.85
	TM9X080C16MP11	21.0	FC/MC/PC36C	800	24.2	17.1	13.55	11.80
	TM9X080C16MP11	21.0	FC/MC/PC43C	800	24.4	17.5	13.50	11.50
	TM9X100C16MP11	21.0	FC/MC/PC35C	800	24.2	17.2	13.60	11.85
	TM9X100C16MP11	21.0	FC/MC/PC36C	800	24.2	17.1	13.55	11.80
	TM9X100C16MP11	21.0	FC/MC/PC43C	800	24.4	17.5	13.50	11.50
	TM9X100C20MP11	21.0	FC/MC/PC35C	800	24.6	17.4	14.00	12.00
	TM9X100C20MP11	21.0	FC/MC/PC36C	800	24.4	17.3	14.00	12.00
	TM9X100C20MP11	21.0	FC/MC/PC43C	800	24.8	17.7	14.25	12.00
	TM9X100C20MP11	21.0	UC36C	800	24.0	17.0	13.75	11.75
	TMLX060A12MP11	14.5	FC/MC/PC32A	800	24.6	17.4	14.00	12.00
	TMLX060A12MP11	14.5	FC/MC/PC36A	775	24.6	17.4	14.25	12.25
	TMLX060A12MP11	14.5	FC/MC/PC37A	800	24.8	17.7	14.25	12.25
	TMLX060A12MP11	14.5	UC36A	775	24.2	17.1	14.00	12.25
	TMLX080B12MP11	17.5	FC/MC/PC35B	750	24.0	16.9	14.00	12.00
	TMLX080B12MP11	17.5	FC/MC/PC36B	775	24.6	17.4	14.25	12.25
	TMLX080B12MP11	17.5	FC/MC/PC43B	775	24.8	17.8	14.50	12.50
	TMLX080B12MP11	17.5	UC36B	775	24.0	17.1	14.00	12.00
	TMLX080C16MP11	21.0	FC/MC/PC35C	800	24.4	17.3	13.50	11.75
	TMLX080C16MP11	21.0	FC/MC/PC36C	750	24.4	17.0	14.50	12.50
	TMLX080C16MP11	21.0	FC/MC/PC43C	800	24.6	17.6	13.75	11.75
	TMLX080C16MP11	21.0	UC36C	750	24.2	17.2	14.50	12.25
	TMLX100C16MP11	21.0	FC/MC/PC35C	800	24.4	17.3	13.50	11.75
	TMLX100C16MP11	21.0	FC/MC/PC36C	750	24.4	17.0	14.50	12.50
	TMLX100C16MP11	21.0	FC/MC/PC43C	800	24.6	17.6	13.75	11.75
	TMLX100C16MP11	21.0	UC36C	750	24.2	17.2	14.50	12.25
	TMLX100C20MP11	21.0	FC/MC/PC35C	800	24.4	17.3	13.25	11.50
	TMLX100C20MP11	21.0	FC/MC/PC36C	800	24.2	17.2	13.25	11.50
	TMLX100C20MP11	21.0	FC/MC/PC43C	800	24.6	17.5	13.75	11.75
	TMLX100C20MP11	21.0	UC36C	800	23.8	16.8	13.25	11.25
	TMLX120C20MP11	21.0	FC/MC/PC35C	800	24.4	17.3	13.25	11.50
	TMLX120C20MP11	21.0	FC/MC/PC36C	800	24.2	17.2	13.25	11.50
	TMLX120C20MP11	21.0	FC/MC/PC43C	800	24.6	17.5	13.75	11.75
	TMLX120C20MP11	21.0	UC36C	800	23.8	16.8	13.25	11.25
	C*(8,L)C*A12	14.5	FC/MC/PC32A	775	24.0	17.0	14.00	11.50
	C*(8,L)C*A12	14.5	FC/MC/PC36A	805	24.0	16.9	14.00	12.00
C*(8,L)C*A12	14.5	FC/MC/PC37A	805	24.0	17.0	14.00	12.00	
C*(8,L)C*A12	14.5	UC36A	805	23.6	16.6	13.80	11.50	
C*(8,L)C*B12	17.5	FC/MC/PC35B	760	24.0	16.8	14.00	12.00	
C*(8,L)C*B12	17.5	FC/MC/PC36B	765	24.0	17.0	14.00	12.00	
C*(8,L)C*B12	17.5	FC/MC/PC43B	760	24.0	16.9	14.00	12.00	
C*(8,L)C*B12	17.5	UC36B	765	23.6	16.7	14.00	11.50	
C*9C*B12	17.5	FC/MC/PC35B	815	24.0	17.1	14.00	12.00	
C*9C*B12	17.5	FC/MC/PC36B	815	24.0	16.9	14.00	12.00	
C*9C*B12	17.5	FC/MC/PC43B	800	24.0	17.0	14.00	12.00	
C*9C*B12	17.5	UC36B	815	23.6	16.7	13.80	11.50	

For notes see Page 19.

COOLING CAPACITY - With High Efficiency Motor Furnaces (Continued)

UNIT MODEL	FURNACE		COIL MODEL ¹	COOLING				
	MODEL	WIDTH		RATED CFM	NET MBH		SEER	EER
					TOTAL	SENS.		
13 SEER AC WITH HIGH EFFICIENCY MOTOR FURNACES²								
TCJD30S41S1(H)(E)	T*(8,L)V*A12	14.5	FC/MC/PC32A	1045	29.2	21.8	13.20	11.00
	T*(8,L)V*A12	14.5	FC/MC/PC37A	980	29.8	21.8	13.80	11.50
	T*(8,L)V*B12	17.5	FC/MC/PC35B	995	29.6	21.4	14.00	11.50
	T*(8,L)V*B12	17.5	FC/MC/PC43B	990	30.0	22.0	14.00	12.00
	T*(8,L)V*C16	21.0	FC/MC/PC35C	1025	29.6	22.0	14.00	12.00
	T*(8,L)V*C16	21.0	FC/MC/PC43C	990	30.0	22.1	14.00	12.00
	T*(8,L)V*C20	21.0	FC/MC/PC35C	1080	30.0	22.4	14.00	12.00
	T*(8,L)V*C20	21.0	FC/MC/PC43C	1000	30.0	22.1	14.00	12.00
	T*9(C,V)*B12	17.5	FC/MC/PC35B	1045	29.4	22.0	13.50	11.50
	T*9(C,V)*B12	17.5	FC/MC/PC43B	1035	30.0	22.0	13.80	11.50
	T*9(C,V)*C16	21.0	FC/MC/PC35C	1005	29.6	22.0	14.00	12.00
	T*9(C,V)*C16	21.0	FC/MC/PC43C	1030	30.0	22.0	14.00	12.00
	T*9(C,V)*C20	21.0	FC/MC/PC35C	985	29.6	22.0	14.00	12.00
	T*9(C,V)*C20	21.0	FC/MC/PC43C	995	30.0	22.1	14.00	12.00
	TM8X060A12MP11	14.5	FC/MC/PC32A	1025	28.8	21.3	13.05	11.00
	TM8X060A12MP11	14.5	FC/MC/PC37A	1025	29.0	21.7	13.35	11.30
	TM8X080B12MP11	17.5	FC/MC/PC35B	950	28.8	20.7	14.00	11.50
	TM8X080B12MP11	17.5	FC/MC/PC43B	975	29.6	21.9	14.25	12.00
	TM8X080C16MP11	21.0	FC/MC/PC35C	975	29.6	21.7	14.25	12.00
	TM8X080C16MP11	21.0	FC/MC/PC43C	950	29.4	21.5	14.25	12.00
	TM8X100C16MP11	21.0	FC/MC/PC35C	975	29.6	21.7	14.25	12.00
	TM8X100C16MP11	21.0	FC/MC/PC43C	950	29.4	21.5	14.25	12.00
	TM8X100C20MP11	21.0	FC/MC/PC35C	1000	29.4	21.7	14.25	12.00
	TM8X100C20MP11	21.0	FC/MC/PC43C	1000	29.6	22.1	14.50	12.00
	TM8X120C20MP11	21.0	FC/MC/PC35C	1000	29.4	21.7	14.25	12.00
	TM8X120C20MP11	21.0	FC/MC/PC43C	1000	29.6	22.1	14.50	12.00
	TM9E060B12MP11	17.5	FC/MC/PC35B	950	28.8	20.7	14.00	11.85
	TM9E060B12MP11	17.5	FC/MC/PC43B	950	29.2	21.3	13.80	11.75
	TM9E080B12MP11	17.5	FC/MC/PC35B	950	28.8	20.7	14.00	11.85
	TM9E080B12MP11	17.5	FC/MC/PC43B	950	29.2	21.3	13.80	11.75
	TM9E080C16MP11	21.0	FC/MC/PC35C	1000	29.4	21.7	14.00	12.00
	TM9E080C16MP11	21.0	FC/MC/PC43C	1000	29.6	22.1	14.25	12.00
	TM9E100C16MP11	21.0	FC/MC/PC35C	1000	29.4	21.7	14.00	12.00
	TM9E100C16MP11	21.0	FC/MC/PC43C	1000	29.6	22.1	14.25	12.00
	TM9E100C20MP11	21.0	FC/MC/PC35C	1000	29.0	21.3	13.25	11.25
	TM9E100C20MP11	21.0	FC/MC/PC43C	1000	29.4	21.7	13.80	11.65
	TM9X060B12MP11	17.5	FC/MC/PC35B	950	28.8	20.7	14.00	11.85
	TM9X060B12MP11	17.5	FC/MC/PC43B	950	29.2	21.3	13.80	11.75
	TM9X080B12MP11	17.5	FC/MC/PC35B	950	28.8	20.7	14.00	11.85
	TM9X080B12MP11	17.5	FC/MC/PC43B	950	29.2	21.3	13.80	11.75
TM9X080C16MP11	21.0	FC/MC/PC35C	1000	29.4	21.7	14.00	12.00	
TM9X080C16MP11	21.0	FC/MC/PC43C	1000	29.6	22.1	14.25	12.00	
TM9X100C16MP11	21.0	FC/MC/PC35C	1000	29.4	21.7	14.00	12.00	
TM9X100C16MP11	21.0	FC/MC/PC43C	1000	29.6	22.1	14.25	12.00	
TM9X100C20MP11	21.0	FC/MC/PC35C	1000	29.0	21.3	13.25	11.25	
TM9X100C20MP11	21.0	FC/MC/PC43C	1000	29.4	21.7	13.80	11.65	
TMLX060A12MP11	14.5	FC/MC/PC32A	1025	28.8	21.3	13.05	11.00	
TMLX060A12MP11	14.5	FC/MC/PC37A	1025	29.0	21.7	13.35	11.30	
TMLX080B12MP11	17.5	FC/MC/PC35B	950	28.8	20.7	14.00	11.50	
TMLX080B12MP11	17.5	FC/MC/PC43B	975	29.6	21.9	14.25	12.00	

For notes see Page 19.

COOLING CAPACITY - With High Efficiency Motor Furnaces (Continued)

UNIT MODEL	FURNACE		COIL MODEL ¹	COOLING				
	MODEL	WIDTH		RATED CFM	NET MBH		SEER	EER
					TOTAL	SENS.		
13 SEER AC WITH HIGH EFFICIENCY MOTOR FURNACES²								
TCJD30S41S1(H)(E)	TMLX080C16MP11	21.0	FC/MC/PC35C	975	29.6	21.7	14.25	12.00
	TMLX080C16MP11	21.0	FC/MC/PC43C	950	29.4	21.5	14.25	12.00
	TMLX100C16MP11	21.0	FC/MC/PC35C	975	29.6	21.7	14.25	12.00
	TMLX100C16MP11	21.0	FC/MC/PC43C	950	29.4	21.5	14.25	12.00
	TMLX100C20MP11	21.0	FC/MC/PC35C	1000	29.4	21.7	14.25	12.00
	TMLX100C20MP11	21.0	FC/MC/PC43C	1000	29.6	22.1	14.50	12.00
	TMLX120C20MP11	21.0	FC/MC/PC35C	1000	29.4	21.7	14.25	12.00
	TMLX120C20MP11	21.0	FC/MC/PC43C	1000	29.6	22.1	14.50	12.00
	C*(8,L)C*A12	14.5	FC/MC/PC32A	1045	29.2	21.8	13.20	11.00
	C*(8,L)C*A12	14.5	FC/MC/PC37A	980	29.8	21.8	13.80	11.50
	C*(8,L)C*B12	17.5	FC/MC/PC35B	995	29.6	21.4	14.00	11.50
	C*(8,L)C*B12	17.5	FC/MC/PC43B	990	30.0	22.0	14.00	12.00
	C*(8,L)C*C16	21.0	FC/MC/PC35C	1025	29.6	22.0	14.00	12.00
	C*(8,L)C*C16	21.0	FC/MC/PC43C	990	30.0	22.1	14.00	12.00
	C*(8,L)C*C20	21.0	FC/MC/PC35C	1080	30.0	22.4	14.00	12.00
	C*(8,L)C*C20	21.0	FC/MC/PC43C	1000	30.0	22.1	14.00	12.00
	C*9C*B12	17.5	FC/MC/PC35B	1045	29.4	22.0	13.50	11.50
	C*9C*B12	17.5	FC/MC/PC43B	1035	30.0	22.0	13.80	11.50
	C*9C*C16	21.0	FC/MC/PC35C	1005	29.6	22.0	14.00	12.00
	C*9C*C16	21.0	FC/MC/PC43C	1030	30.0	22.0	14.00	12.00
	C*9C*C20	21.0	FC/MC/PC35C	985	29.6	22.0	14.00	12.00
	C*9C*C20	21.0	FC/MC/PC43C	995	30.0	22.1	14.00	12.00
	TCJD36S41S1(H)(E)	T*(8,L)V*A12	14.5	FC/MC/PC37A	980	33.8	23.0	13.50
T*(8,L)V*B12		17.5	FC/MC/PC43B	1210	35.2	25.2	13.50	11.00
T*(8,L)V*C16		21.0	FC/MC/PC43C	1205	35.6	25.4	14.00	11.50
T*(8,L)V*C16		21.0	FC/MC/PC48C	1210	36.0	26.0	14.00	12.00
T*(8,L)V*C16		21.0	UC48C	1210	34.6	24.8	13.50	11.50
T*(8,L)V*C20		21.0	FC/MC/PC43C	1190	35.6	25.4	14.00	12.00
T*(8,L)V*C20		21.0	FC/MC/PC48C	1155	36.0	26.1	14.00	12.00
T*(8,L)V*C20		21.0	UC48C	1155	34.8	24.8	14.00	11.50
T*9(C,V)*B12		17.5	FC/MC/PC43B	1200	35.2	25.2	13.50	11.00
T*9(C,V)*C16		21.0	FC/MC/PC43C	1240	35.4	25.2	13.50	11.50
T*9(C,V)*C16		21.0	FC/MC/PC48C	1195	36.0	26.0	14.00	11.50
T*9(C,V)*C16		21.0	UC48C	1195	34.6	24.8	13.50	11.50
T*9(C,V)*C20		21.0	FC/MC/PC43C	1200	35.6	25.4	14.00	11.50
T*9(C,V)*C20		21.0	FC/MC/PC48C	1330	36.0	26.5	14.00	11.50
T*9(C,V)*C20		21.0	UC48C	1305	35.0	25.6	13.30	11.00
T*9(C,V)*D20		24.5	FC/MC/PC48D	1240	36.0	26.2	14.00	12.00
T*9(C,V)*D20		24.5	UC48D	1240	34.8	25.0	13.80	11.50
TM8X060A12MP11		14.5	FC/MC/PC37A	1125	34.8	24.3	13.30	11.50
TM8X080B12MP11		17.5	FC/MC/PC43B	1175	34.8	24.3	13.30	11.50
TM8X080C16MP11		21.0	FC/MC/PC43C	1150	35.0	24.7	14.00	12.00
TM8X080C16MP11		21.0	FC/MC/PC48C	1150	35.2	25.1	14.00	12.00
TM8X080C16MP11		21.0	FC/MC/PC48D	1175	35.2	25.1	14.00	12.25
TM8X080C16MP11		21.0	UC48C	1150	35.2	25.1	14.00	12.00
TM8X080C16MP11	21.0	UC48D	1175	35.2	25.1	14.00	12.25	
TM8X100C16MP11	21.0	FC/MC/PC43C	1150	35.0	24.7	14.00	12.00	
TM8X100C16MP11	21.0	FC/MC/PC48C	1150	35.2	25.1	14.00	12.00	
TM8X100C16MP11	21.0	FC/MC/PC48D	1175	35.2	25.1	14.00	12.25	
TM8X100C16MP11	21.0	UC48C	1150	35.2	25.1	14.00	12.00	

For notes see Page 19.

COOLING CAPACITY - With High Efficiency Motor Furnaces (Continued)

UNIT MODEL	FURNACE		COIL MODEL ¹	COOLING				
	MODEL	WIDTH		RATED CFM	NET MBH		SEER	EER
					TOTAL	SENS.		
13 SEER AC WITH HIGH EFFICIENCY MOTOR FURNACES²								
TCJD36S41S1(H)(E)	TM8X100C16MP11	21.0	UC48D	1175	35.2	25.1	14.00	12.25
	TM8X100C20MP11	21.0	FC/MC/PC43C	1200	35.4	25.5	13.80	12.00
	TM8X100C20MP11	21.0	FC/MC/PC48C	1200	35.8	25.7	14.00	12.25
	TM8X100C20MP11	21.0	FC/MC/PC48D	1200	35.8	25.7	14.00	12.25
	TM8X100C20MP11	21.0	UC48C	1200	35.2	25.1	13.75	12.00
	TM8X100C20MP11	21.0	UC48D	1200	35.2	25.1	13.75	12.00
	TM8X120C20MP11	21.0	FC/MC/PC43C	1200	35.4	25.5	13.80	12.00
	TM8X120C20MP11	21.0	FC/MC/PC48C	1200	35.8	25.7	14.00	12.25
	TM8X120C20MP11	21.0	FC/MC/PC48D	1200	35.8	25.7	14.00	12.25
	TM8X120C20MP11	21.0	UC48C	1200	35.2	25.1	13.75	12.00
	TM8X120C20MP11	21.0	UC48D	1200	35.2	25.1	13.75	12.00
	TM9E060B12MP11	17.5	FC/MC/PC43B	1125	34.8	24.3	13.25	11.50
	TM9E080B12MP11	17.5	FC/MC/PC43B	1125	34.8	24.3	13.25	11.50
	TM9E080C16MP11	21.0	FC/MC/PC43C	1175	35.0	24.5	13.75	11.75
	TM9E080C16MP11	21.0	FC/MC/PC48C	1150	35.2	24.9	13.75	12.00
	TM9E080C16MP11	21.0	FC/MC/PC48D	1175	35.0	24.9	13.75	12.00
	TM9E080C16MP11	21.0	UC48C	1150	35.0	25.1	13.75	12.00
	TM9E080C16MP11	21.0	UC48D	1175	35.0	25.1	13.75	12.00
	TM9E100C16MP11	21.0	FC/MC/PC43C	1175	35.0	24.5	13.75	11.75
	TM9E100C16MP11	21.0	FC/MC/PC48C	1150	35.2	24.9	13.75	12.00
	TM9E100C16MP11	21.0	FC/MC/PC48D	1175	35.0	24.9	13.75	12.00
	TM9E100C16MP11	21.0	UC48C	1150	35.0	25.1	13.75	12.00
	TM9E100C16MP11	21.0	UC48D	1175	35.0	25.1	13.75	12.00
	TM9E100C20MP11	21.0	FC/MC/PC43C	1150	35.0	24.5	13.75	12.00
	TM9E100C20MP11	21.0	FC/MC/PC48C	1150	35.2	24.9	13.75	12.00
	TM9E100C20MP11	21.0	FC/MC/PC48D	1175	35.2	25.1	13.75	12.00
	TM9E100C20MP11	21.0	UC48C	1150	35.2	25.1	13.75	12.00
	TM9E100C20MP11	21.0	UC48D	1175	35.2	25.1	13.75	12.00
	TM9E120D20MP11	24.5	FC/MC/PC48D	1175	35.2	25.1	14.00	12.00
	TM9E120D20MP11	24.5	UC48D	1175	35.2	25.1	14.00	12.00
	TM9X060B12MP11	17.5	FC/MC/PC43B	1125	34.8	24.3	13.25	11.50
	TM9X080B12MP11	17.5	FC/MC/PC43B	1125	34.8	24.3	13.25	11.50
	TM9X080C16MP11	21.0	FC/MC/PC43C	1175	35.0	24.5	13.75	11.75
	TM9X080C16MP11	21.0	FC/MC/PC48C	1150	35.2	24.9	13.75	12.00
	TM9X080C16MP11	21.0	FC/MC/PC48D	1175	35.0	24.9	13.75	12.00
	TM9X080C16MP11	21.0	UC48C	1150	35.0	25.1	13.75	12.00
	TM9X080C16MP11	21.0	UC48D	1175	35.0	25.1	13.75	12.00
	TM9X100C16MP11	21.0	FC/MC/PC43C	1175	35.0	24.5	13.75	11.75
	TM9X100C16MP11	21.0	FC/MC/PC48C	1150	35.2	24.9	13.75	12.00
	TM9X100C16MP11	21.0	FC/MC/PC48D	1175	35.0	24.9	13.75	12.00
TM9X100C16MP11	21.0	UC48C	1150	35.0	25.1	13.75	12.00	
TM9X100C16MP11	21.0	UC48D	1175	35.0	25.1	13.75	12.00	
TM9X100C20MP11	21.0	FC/MC/PC43C	1150	35.0	24.5	13.75	12.00	
TM9X100C20MP11	21.0	FC/MC/PC48C	1150	35.2	24.9	13.75	12.00	
TM9X100C20MP11	21.0	FC/MC/PC48D	1175	35.2	25.1	13.75	12.00	
TM9X100C20MP11	21.0	UC48C	1150	35.2	25.1	13.75	12.00	
TM9X100C20MP11	21.0	UC48D	1175	35.2	25.1	13.75	12.00	
TM9X120D20MP11	24.5	FC/MC/PC48D	1175	35.2	25.1	14.00	12.00	
TM9X120D20MP11	24.5	UC48D	1175	35.2	25.1	14.00	12.00	
TMLX060A12MP11	14.5	FC/MC/PC37A	1125	34.8	24.3	13.30	11.50	

For notes see Page 19.

COOLING CAPACITY - With High Efficiency Motor Furnaces (Continued)

UNIT MODEL	FURNACE		COIL MODEL ¹	COOLING				
	MODEL	WIDTH		RATED CFM	NET MBH		SEER	EER
					TOTAL	SENS.		
13 SEER AC WITH HIGH EFFICIENCY MOTOR FURNACES²								
TCJD36S41S1(H)(E)	TMLX080B12MP11	17.5	FC/MC/PC43B	1175	34.8	24.3	13.30	11.50
	TMLX080C16MP11	21.0	FC/MC/PC43C	1150	35.0	24.7	14.00	12.00
	TMLX080C16MP11	21.0	FC/MC/PC48C	1150	35.2	25.1	14.00	12.00
	TMLX080C16MP11	21.0	FC/MC/PC48D	1175	35.2	25.1	14.00	12.25
	TMLX080C16MP11	21.0	UC48C	1150	35.2	25.1	14.00	12.00
	TMLX080C16MP11	21.0	UC48D	1175	35.2	25.1	14.00	12.25
	TMLX100C16MP11	21.0	FC/MC/PC43C	1150	35.0	24.7	14.00	12.00
	TMLX100C16MP11	21.0	FC/MC/PC48C	1150	35.2	25.1	14.00	12.00
	TMLX100C16MP11	21.0	FC/MC/PC48D	1175	35.2	25.1	14.00	12.25
	TMLX100C16MP11	21.0	UC48C	1150	35.2	25.1	14.00	12.00
	TMLX100C16MP11	21.0	UC48D	1175	35.2	25.1	14.00	12.25
	TMLX100C20MP11	21.0	FC/MC/PC43C	1200	35.4	25.5	13.80	12.00
	TMLX100C20MP11	21.0	FC/MC/PC48C	1200	35.8	25.7	14.00	12.25
	TMLX100C20MP11	21.0	FC/MC/PC48D	1200	35.8	25.7	14.00	12.25
	TMLX100C20MP11	21.0	UC48C	1200	35.2	25.1	13.75	12.00
	TMLX100C20MP11	21.0	UC48D	1200	35.2	25.1	13.75	12.00
	TMLX120C20MP11	21.0	FC/MC/PC43C	1200	35.4	25.5	13.80	12.00
	TMLX120C20MP11	21.0	FC/MC/PC48C	1200	35.8	25.7	14.00	12.25
	TMLX120C20MP11	21.0	FC/MC/PC48D	1200	35.8	25.7	14.00	12.25
	TMLX120C20MP11	21.0	UC48C	1200	35.2	25.1	13.75	12.00
	TMLX120C20MP11	21.0	UC48D	1200	35.2	25.1	13.75	12.00
	C*(8,L)C*A12	14.5	FC/MC/PC37A	980	33.8	23.0	13.50	11.00
	C*(8,L)C*B12	17.5	FC/MC/PC43B	1210	35.2	25.2	13.50	11.00
	C*(8,L)C*C16	21.0	FC/MC/PC43C	1205	35.6	25.4	14.00	11.50
	C*(8,L)C*C16	21.0	FC/MC/PC48C	1210	36.0	26.0	14.00	12.00
	C*(8,L)C*C16	21.0	UC48C	1210	34.6	24.8	13.50	11.50
	C*(8,L)C*C20	21.0	FC/MC/PC43C	1190	35.6	25.4	14.00	12.00
	C*(8,L)C*C20	21.0	FC/MC/PC48C	1155	36.0	26.1	14.00	12.00
	C*(8,L)C*C20	21.0	UC48C	1155	34.8	24.8	14.00	11.50
	C*9C*B12	17.5	FC/MC/PC43B	1200	35.2	25.2	13.50	11.00
	C*9C*C16	21.0	FC/MC/PC43C	1240	35.4	25.2	13.50	11.50
	C*9C*C16	21.0	FC/MC/PC48C	1195	36.0	26.0	14.00	11.50
C*9C*C16	21.0	UC48C	1195	34.6	24.8	13.50	11.50	
C*9C*C20	21.0	FC/MC/PC43C	1200	35.6	25.4	14.00	11.50	
C*9C*C20	21.0	FC/MC/PC48C	1330	36.0	26.5	14.00	11.50	
C*9C*C20	21.0	UC48C	1305	35.0	25.6	13.30	11.00	
C*9C*D20	24.5	FC/MC/PC48D	1240	36.0	26.2	14.00	12.00	
C*9C*D20	24.5	UC48D	1240	34.8	25.0	13.80	11.50	
TCJD42S41S2(H)(E)	T*(8,L)V*B12	17.5	FC/MC/PC43B	1270	41.0	28.8	13.25	11.25
	T*(8,L)V*C16	21.0	FC/MC/PC43C	1390	42.0	30.2	13.50	11.50
	T*(8,L)V*C16	21.0	FC/MC/PC48C	1330	42.0	29.8	13.50	11.50
	T*(8,L)V*C16	21.0	FC/MC/PC48D	1330	42.0	29.8	13.50	11.50
	T*(8,L)V*C16	21.0	FC/MC/PC60D	1420	42.0	30.0	13.50	11.50
	T*(8,L)V*C16	21.0	FC/MC62D	1420	42.0	30.6	13.50	11.50
	T*(8,L)V*C16	21.0	FC/PC60C	1420	42.0	30.0	13.50	11.50
	T*(8,L)V*C16	21.0	FC64D	1420	42.0	30.8	14.25	12.00
	T*(8,L)V*C16	21.0	UC48C	1435	42.0	30.2	13.50	11.50
	T*(8,L)V*C16	21.0	UC60C	1420	42.0	30.0	13.50	11.50
	T*(8,L)V*C20	21.0	FC/MC/PC43C	1450	42.0	30.6	13.25	11.25
	T*(8,L)V*C20	21.0	FC/MC/PC48C	1410	42.0	30.2	13.75	11.50

For notes see Page 19.

COOLING CAPACITY - With High Efficiency Motor Furnaces (Continued)

UNIT MODEL	FURNACE		COIL MODEL ¹	COOLING				
	MODEL	WIDTH		RATED CFM	NET MBH		SEER	EER
					TOTAL	SENS.		
13 SEER AC WITH HIGH EFFICIENCY MOTOR FURNACES²								
TCJD42S41S2(H)(E)	T*(8,L)V*C20	21.0	FC/MC/PC48D	1410	42.0	30.2	13.75	11.50
	T*(8,L)V*C20	21.0	FC/MC/PC60D	1340	42.0	30.2	13.75	11.75
	T*(8,L)V*C20	21.0	FC/MC62D	1365	42.0	30.8	14.00	11.75
	T*(8,L)V*C20	21.0	FC/PC60C	1340	42.0	30.2	13.75	11.75
	T*(8,L)V*C20	21.0	FC64D	1410	42.0	30.8	14.25	12.00
	T*(8,L)V*C20	21.0	UC48C	1410	42.0	30.2	13.75	11.75
	T*(8,L)V*C20	21.0	UC60C	1410	42.0	30.0	13.50	11.50
	T*9(C,V)*C16	21.0	FC/MC/PC43C	1360	42.0	30.0	13.25	11.25
	T*9(C,V)*C16	21.0	FC/MC/PC48C	1395	42.0	30.4	13.50	11.50
	T*9(C,V)*C16	21.0	FC/MC/PC48D	1395	42.0	30.4	13.50	11.50
	T*9(C,V)*C16	21.0	FC/MC/PC60D	1445	41.5	29.8	13.00	11.00
	T*9(C,V)*C16	21.0	FC/MC62D	1445	42.0	30.6	13.25	11.00
	T*9(C,V)*C16	21.0	FC/PC60C	1445	41.5	29.8	13.00	11.00
	T*9(C,V)*C16	21.0	FC64D	1445	42.0	30.8	13.50	11.50
	T*9(C,V)*C16	21.0	UC48C	1395	42.0	30.2	13.50	11.50
	T*9(C,V)*C16	21.0	UC60C	1445	41.5	29.6	13.00	11.00
	T*9(C,V)*C20	21.0	FC/MC/PC43C	1395	42.0	30.0	13.25	11.25
	T*9(C,V)*C20	21.0	FC/MC/PC48C	1430	42.0	30.4	13.25	11.25
	T*9(C,V)*C20	21.0	FC/MC/PC48D	1430	42.0	30.4	13.25	11.25
	T*9(C,V)*C20	21.0	FC/MC/PC60D	1445	42.0	29.8	13.25	11.25
	T*9(C,V)*C20	21.0	FC/MC62D	1445	42.0	30.6	13.50	11.25
	T*9(C,V)*C20	21.0	FC/PC60C	1445	42.0	29.8	13.25	11.25
	T*9(C,V)*C20	21.0	FC64D	1445	42.0	30.8	13.75	11.75
	T*9(C,V)*C20	21.0	UC48C	1430	42.0	30.2	13.25	11.25
	T*9(C,V)*C20	21.0	UC60C	1445	41.5	29.8	13.00	11.25
	T*9(C,V)*D20	24.5	FC/MC/PC48D	1450	42.0	30.2	13.50	11.50
	T*9(C,V)*D20	24.5	FC/MC/PC60D	1445	42.0	30.0	13.50	11.50
	T*9(C,V)*D20	24.5	FC/MC62D	1455	42.0	30.6	13.50	11.50
	T*9(C,V)*D20	24.5	FC64D	1455	42.0	30.6	14.00	11.75
	T*9(C,V)*D20	24.5	UC48D	1450	42.0	30.2	13.50	11.50
	T*9(C,V)*D20	24.5	UC60D	1445	41.5	29.8	13.25	11.25
	TM8X080C16MP11	21.0	FC/MC/PC43C	1350	41.0	29.2	13.45	11.65
	TM8X080C16MP11	21.0	FC/MC/PC48C	1325	41.5	29.4	13.60	11.70
	TM8X080C16MP11	21.0	FC/MC/PC48D	1350	42.0	30.2	13.80	11.85
	TM8X080C16MP11	21.0	FC/MC/PC60D	1375	42.0	29.8	13.75	11.80
	TM8X080C16MP11	21.0	FC/MC62D	1350	42.0	30.8	13.85	11.85
	TM8X080C16MP11	21.0	FC/PC60C	1350	42.0	29.8	13.75	11.75
	TM8X080C16MP11	21.0	FC64D	1375	43.5	31.8	14.25	12.15
	TM8X080C16MP11	21.0	UC48C	1325	40.5	29.0	13.45	11.50
	TM8X080C16MP11	21.0	UC48D	1350	40.5	29.0	13.25	11.25
	TM8X080C16MP11	21.0	UC60C	1350	41.0	29.2	13.55	11.65
	TM8X080C16MP11	21.0	UC60D	1375	41.0	29.2	13.25	11.25
TM8X100C16MP11	21.0	FC/MC/PC43C	1350	41.0	29.2	13.45	11.65	
TM8X100C16MP11	21.0	FC/MC/PC48C	1325	41.5	29.4	13.60	11.70	
TM8X100C16MP11	21.0	FC/MC/PC48D	1350	42.0	30.2	13.80	11.85	
TM8X100C16MP11	21.0	FC/MC/PC60D	1375	42.0	29.8	13.75	11.80	
TM8X100C16MP11	21.0	FC/MC62D	1350	42.0	30.8	13.85	11.85	
TM8X100C16MP11	21.0	FC/PC60C	1350	42.0	29.8	13.75	11.75	
TM8X100C16MP11	21.0	FC64D	1375	43.5	31.8	14.25	12.15	
TM8X100C16MP11	21.0	UC48C	1325	40.5	29.0	13.45	11.50	

For notes see Page 19.

COOLING CAPACITY - With High Efficiency Motor Furnaces (Continued)

UNIT MODEL	FURNACE		COIL MODEL ¹	COOLING				
	MODEL	WIDTH		RATED CFM	NET MBH		SEER	EER
					TOTAL	SENS.		
13 SEER AC WITH HIGH EFFICIENCY MOTOR FURNACES²								
TCJD42S41S2(H)(E)	TM8X100C16MP11	21.0	UC48D	1350	40.5	29.0	13.25	11.25
	TM8X100C16MP11	21.0	UC60C	1350	41.0	29.2	13.55	11.65
	TM8X100C16MP11	21.0	UC60D	1375	41.0	29.2	13.25	11.25
	TM8X100C20MP11	21.0	FC/MC/PC43C	1350	41.0	29.2	13.50	11.70
	TM8X100C20MP11	21.0	FC/MC/PC48C	1350	42.0	30.2	13.80	11.85
	TM8X100C20MP11	21.0	FC/MC/PC48D	1400	42.0	30.2	13.85	11.85
	TM8X100C20MP11	21.0	FC/MC/PC60D	1400	42.0	30.0	13.80	11.80
	TM8X100C20MP11	21.0	FC/MC62D	1400	42.0	30.8	13.95	11.95
	TM8X100C20MP11	21.0	FC/PC60C	1375	42.0	29.8	13.80	11.80
	TM8X100C20MP11	21.0	FC64D	1400	43.5	31.8	14.25	12.20
	TM8X100C20MP11	21.0	UC48C	1350	40.5	29.0	13.50	11.55
	TM8X100C20MP11	21.0	UC48D	1400	41.5	30.0	13.25	11.50
	TM8X100C20MP11	21.0	UC60C	1375	41.0	29.2	13.60	11.65
	TM8X100C20MP11	21.0	UC60D	1400	41.0	29.2	13.25	11.25
	TM8X120C20MP11	21.0	FC/MC/PC43C	1350	41.0	29.2	13.50	11.70
	TM8X120C20MP11	21.0	FC/MC/PC48C	1350	42.0	30.2	13.80	11.85
	TM8X120C20MP11	21.0	FC/MC/PC48D	1400	42.0	30.2	13.85	11.85
	TM8X120C20MP11	21.0	FC/MC/PC60D	1400	42.0	30.0	13.80	11.80
	TM8X120C20MP11	21.0	FC/MC62D	1400	42.0	30.8	13.95	11.95
	TM8X120C20MP11	21.0	FC/PC60C	1375	42.0	29.8	13.80	11.80
	TM8X120C20MP11	21.0	FC64D	1400	43.5	31.8	14.25	12.20
	TM8X120C20MP11	21.0	UC48C	1350	40.5	29.0	13.50	11.55
	TM8X120C20MP11	21.0	UC48D	1400	41.5	30.0	13.25	11.50
	TM8X120C20MP11	21.0	UC60C	1375	41.0	29.2	13.60	11.65
	TM8X120C20MP11	21.0	UC60D	1400	41.0	29.2	13.25	11.25
	TM9E080C16MP11	21.0	FC/MC/PC48C	1400	41.5	29.8	13.10	11.30
	TM9E080C16MP11	21.0	FC/MC/PC48D	1400	41.5	29.8	13.05	11.25
	TM9E080C16MP11	21.0	FC/MC/PC60D	1400	41.5	29.6	13.10	11.25
	TM9E080C16MP11	21.0	FC/MC62D	1400	41.5	30.4	13.15	11.30
	TM9E080C16MP11	21.0	FC/PC60C	1400	41.5	29.6	13.05	11.20
	TM9E080C16MP11	21.0	FC64D	1400	43.0	31.4	13.50	11.60
	TM9E100C16MP11	21.0	FC/MC/PC48C	1400	41.5	29.8	13.10	11.30
	TM9E100C16MP11	21.0	FC/MC/PC48D	1400	41.5	29.8	13.05	11.25
	TM9E100C16MP11	21.0	FC/MC/PC60D	1400	41.5	29.6	13.10	11.25
	TM9E100C16MP11	21.0	FC/MC62D	1400	41.5	30.4	13.15	11.30
	TM9E100C16MP11	21.0	FC/PC60C	1400	41.5	29.6	13.05	11.20
	TM9E100C16MP11	21.0	FC64D	1400	43.0	31.4	13.50	11.60
	TM9E100C20MP11	21.0	FC/MC/PC43C	1325	41.0	29.0	13.50	11.60
	TM9E100C20MP11	21.0	FC/MC/PC48C	1325	41.5	29.4	13.55	11.65
	TM9E100C20MP11	21.0	FC/MC/PC48D	1350	42.0	30.2	13.80	11.75
	TM9E100C20MP11	21.0	FC/MC/PC60D	1350	42.0	29.8	13.75	11.75
	TM9E100C20MP11	21.0	FC/MC62D	1350	42.0	30.8	13.80	11.75
	TM9E100C20MP11	21.0	FC64D	1350	43.5	31.8	14.20	12.15
	TM9E100C20MP11	21.0	UC48C	1325	40.5	29.0	13.40	11.45
	TM9E100C20MP11	21.0	UC48D	1350	40.5	29.0	13.25	11.25
	TM9E100C20MP11	21.0	UC60D	1350	41.0	29.2	13.25	11.25
	TM9E120D20MP11	24.5	FC/MC/PC48D	1325	41.5	29.4	13.70	11.75
	TM9E120D20MP11	24.5	FC/MC/PC60D	1325	41.5	29.1	13.70	11.70
TM9E120D20MP11	24.5	FC/MC62D	1325	41.5	29.8	13.75	11.75	
TM9E120D20MP11	24.5	FC64D	1325	43.0	30.8	14.20	12.10	

For notes see Page 19.

COOLING CAPACITY - With High Efficiency Motor Furnaces (Continued)

UNIT MODEL	FURNACE		COIL MODEL ¹	COOLING				
	MODEL	WIDTH		RATED CFM	NET MBH		SEER	EER
					TOTAL	SENS.		
13 SEER AC WITH HIGH EFFICIENCY MOTOR FURNACES²								
TCJD42S41S2(H)(E)	TM9E120D20MP11	24.5	UC48D	1325	40.5	29.0	13.55	11.60
	TM9E120D20MP11	24.5	UC60D	1325	41.0	29.2	13.65	11.70
	TM9X080C16MP11	21.0	FC/MC/PC48C	1400	41.5	29.8	13.10	11.30
	TM9X080C16MP11	21.0	FC/MC/PC48D	1400	41.5	29.8	13.05	11.25
	TM9X080C16MP11	21.0	FC/MC/PC60D	1400	41.5	29.6	13.10	11.25
	TM9X080C16MP11	21.0	FC/MC62D	1400	41.5	30.4	13.15	11.30
	TM9X080C16MP11	21.0	FC/PC60C	1400	41.5	29.6	13.05	11.20
	TM9X080C16MP11	21.0	FC64D	1400	43.0	31.4	13.50	11.60
	TM9X100C16MP11	21.0	FC/MC/PC48C	1400	41.5	29.8	13.10	11.30
	TM9X100C16MP11	21.0	FC/MC/PC48D	1400	41.5	29.8	13.05	11.25
	TM9X100C16MP11	21.0	FC/MC/PC60D	1400	41.5	29.6	13.10	11.25
	TM9X100C16MP11	21.0	FC/MC62D	1400	41.5	30.4	13.15	11.30
	TM9X100C16MP11	21.0	FC/PC60C	1400	41.5	29.6	13.05	11.20
	TM9X100C16MP11	21.0	FC64D	1400	43.0	31.4	13.50	11.60
	TM9X100C20MP11	21.0	FC/MC/PC43C	1325	41.0	29.0	13.50	11.60
	TM9X100C20MP11	21.0	FC/MC/PC48C	1325	41.5	29.4	13.55	11.65
	TM9X100C20MP11	21.0	FC/MC/PC48D	1350	42.0	30.2	13.80	11.75
	TM9X100C20MP11	21.0	FC/MC/PC60D	1350	42.0	29.8	13.75	11.75
	TM9X100C20MP11	21.0	FC/MC62D	1350	42.0	30.8	13.80	11.75
	TM9X100C20MP11	21.0	FC64D	1350	43.5	31.8	14.20	12.15
	TM9X100C20MP11	21.0	UC48C	1325	40.5	29.0	13.40	11.45
	TM9X100C20MP11	21.0	UC48D	1350	40.5	29.0	13.25	11.25
	TM9X100C20MP11	21.0	UC60D	1350	41.0	29.2	13.25	11.25
	TM9X120D20MP11	24.5	FC/MC/PC48D	1325	41.5	29.4	13.70	11.75
	TM9X120D20MP11	24.5	FC/MC/PC60D	1325	41.5	29.1	13.70	11.70
	TM9X120D20MP11	24.5	FC/MC62D	1325	41.5	29.8	13.75	11.75
	TM9X120D20MP11	24.5	FC64D	1325	43.0	30.8	14.20	12.10
	TM9X120D20MP11	24.5	UC48D	1325	40.5	29.0	13.55	11.60
	TM9X120D20MP11	24.5	UC60D	1325	41.0	29.2	13.65	11.70
	TMLX080C16MP11	21.0	FC/MC/PC43C	1350	41.0	29.2	13.45	11.65
	TMLX080C16MP11	21.0	FC/MC/PC48C	1325	41.5	29.4	13.60	11.70
	TMLX080C16MP11	21.0	FC/MC/PC48D	1350	42.0	30.2	13.80	11.85
	TMLX080C16MP11	21.0	FC/MC/PC60D	1375	42.0	29.8	13.75	11.80
	TMLX080C16MP11	21.0	FC/MC62D	1350	42.0	30.8	13.85	11.85
	TMLX080C16MP11	21.0	FC/PC60C	1350	42.0	29.8	13.75	11.75
	TMLX080C16MP11	21.0	FC64D	1375	43.5	31.8	14.25	12.15
	TMLX080C16MP11	21.0	UC48C	1325	40.5	29.0	13.45	11.50
	TMLX080C16MP11	21.0	UC48D	1350	40.5	29.0	13.25	11.25
	TMLX080C16MP11	21.0	UC60C	1350	41.0	29.2	13.55	11.65
	TMLX080C16MP11	21.0	UC60D	1375	41.0	29.2	13.25	11.25
TMLX100C16MP11	21.0	FC/MC/PC43C	1350	41.0	29.2	13.45	11.65	
TMLX100C16MP11	21.0	FC/MC/PC48C	1325	41.5	29.4	13.60	11.70	
TMLX100C16MP11	21.0	FC/MC/PC48D	1350	42.0	30.2	13.80	11.85	
TMLX100C16MP11	21.0	FC/MC/PC60D	1375	42.0	29.8	13.75	11.80	
TMLX100C16MP11	21.0	FC/MC62D	1350	42.0	30.8	13.85	11.85	
TMLX100C16MP11	21.0	FC/PC60C	1350	42.0	29.8	13.75	11.75	
TMLX100C16MP11	21.0	FC64D	1375	43.5	31.8	14.25	12.15	
TMLX100C16MP11	21.0	UC48C	1325	40.5	29.0	13.45	11.50	
TMLX100C16MP11	21.0	UC48D	1350	40.5	29.0	13.25	11.25	
TMLX100C16MP11	21.0	UC60C	1350	41.0	29.2	13.55	11.65	

For notes see Page 19.

COOLING CAPACITY - With High Efficiency Motor Furnaces (Continued)

UNIT MODEL	FURNACE		COIL MODEL ¹	COOLING				
	MODEL	WIDTH		RATED CFM	NET MBH		SEER	EER
					TOTAL	SENS.		
13 SEER AC WITH HIGH EFFICIENCY MOTOR FURNACES²								
TCJD42S41S2(H)(E)	TMLX100C16MP11	21.0	UC60D	1375	41.0	29.2	13.25	11.25
	TMLX100C20MP11	21.0	FC/MC/PC43C	1350	41.0	29.2	13.50	11.70
	TMLX100C20MP11	21.0	FC/MC/PC48C	1350	42.0	30.2	13.80	11.85
	TMLX100C20MP11	21.0	FC/MC/PC48D	1400	42.0	30.2	13.85	11.85
	TMLX100C20MP11	21.0	FC/MC/PC60D	1400	42.0	30.0	13.80	11.80
	TMLX100C20MP11	21.0	FC/MC62D	1400	42.0	30.8	13.95	11.95
	TMLX100C20MP11	21.0	FC/PC60C	1375	42.0	29.8	13.80	11.80
	TMLX100C20MP11	21.0	FC64D	1400	43.5	31.8	14.25	12.20
	TMLX100C20MP11	21.0	UC48C	1350	40.5	29.0	13.50	11.55
	TMLX100C20MP11	21.0	UC48D	1400	41.5	30.0	13.25	11.50
	TMLX100C20MP11	21.0	UC60C	1375	41.0	29.2	13.60	11.65
	TMLX100C20MP11	21.0	UC60D	1400	41.0	29.2	13.25	11.25
	TMLX120C20MP11	21.0	FC/MC/PC43C	1350	41.0	29.2	13.50	11.70
	TMLX120C20MP11	21.0	FC/MC/PC48C	1350	42.0	30.2	13.80	11.85
	TMLX120C20MP11	21.0	FC/MC/PC48D	1400	42.0	30.2	13.85	11.85
	TMLX120C20MP11	21.0	FC/MC/PC60D	1400	42.0	30.0	13.80	11.80
	TMLX120C20MP11	21.0	FC/MC62D	1400	42.0	30.8	13.95	11.95
	TMLX120C20MP11	21.0	FC/PC60C	1375	42.0	29.8	13.80	11.80
	TMLX120C20MP11	21.0	FC64D	1400	43.5	31.8	14.25	12.20
	TMLX120C20MP11	21.0	UC48C	1350	40.5	29.0	13.50	11.55
	TMLX120C20MP11	21.0	UC48D	1400	41.5	30.0	13.25	11.50
	TMLX120C20MP11	21.0	UC60C	1375	41.0	29.2	13.60	11.65
	TMLX120C20MP11	21.0	UC60D	1400	41.0	29.2	13.25	11.25
	C*(8,L)C*B12	17.5	FC/MC/PC43B	1270	41.0	28.8	13.25	11.25
	C*(8,L)C*C16	21.0	FC/MC/PC43C	1390	42.0	30.2	13.50	11.50
	C*(8,L)C*C16	21.0	FC/MC/PC48C	1330	42.0	29.8	13.50	11.50
	C*(8,L)C*C16	21.0	FC/MC/PC48D	1330	42.0	29.8	13.50	11.50
	C*(8,L)C*C16	21.0	FC/MC/PC60D	1420	42.0	30.0	13.50	11.50
	C*(8,L)C*C16	21.0	FC/MC62D	1420	42.0	30.6	13.50	11.50
	C*(8,L)C*C16	21.0	FC/PC60C	1420	42.0	30.0	13.50	11.50
	C*(8,L)C*C16	21.0	FC64D	1420	42.0	30.8	14.25	12.00
	C*(8,L)C*C16	21.0	UC48C	1435	42.0	30.2	13.50	11.50
	C*(8,L)C*C16	21.0	UC60C	1420	42.0	30.0	13.50	11.50
	C*(8,L)C*C20	21.0	FC/MC/PC43C	1450	42.0	30.6	13.25	11.25
	C*(8,L)C*C20	21.0	FC/MC/PC48C	1410	42.0	30.2	13.75	11.50
	C*(8,L)C*C20	21.0	FC/MC/PC48D	1410	42.0	30.2	13.75	11.50
	C*(8,L)C*C20	21.0	FC/MC/PC60D	1340	42.0	30.2	13.75	11.75
	C*(8,L)C*C20	21.0	FC/MC62D	1365	42.0	30.8	14.00	11.75
	C*(8,L)C*C20	21.0	FC/PC60C	1340	42.0	30.2	13.75	11.75
	C*(8,L)C*C20	21.0	FC64D	1410	42.0	30.8	14.25	12.00
	C*(8,L)C*C20	21.0	UC48C	1410	42.0	30.2	13.75	11.75
	C*(8,L)C*C20	21.0	UC60C	1410	42.0	30.0	13.50	11.50
C*9C*C16	21.0	FC/MC/PC43C	1360	42.0	30.0	13.25	11.25	
C*9C*C16	21.0	FC/MC/PC48C	1395	42.0	30.4	13.50	11.50	
C*9C*C16	21.0	FC/MC/PC48D	1395	42.0	30.4	13.50	11.50	
C*9C*C16	21.0	FC/MC/PC60D	1445	41.5	29.8	13.00	11.00	
C*9C*C16	21.0	FC/MC62D	1445	42.0	30.6	13.25	11.00	
C*9C*C16	21.0	FC/PC60C	1445	41.5	29.8	13.00	11.00	
C*9C*C16	21.0	FC64D	1445	42.0	30.8	13.50	11.50	
C*9C*C16	21.0	UC48C	1395	42.0	30.2	13.50	11.50	

For notes see Page 19.

COOLING CAPACITY - With High Efficiency Motor Furnaces (Continued)

UNIT MODEL	FURNACE		COIL MODEL ¹	COOLING				
	MODEL	WIDTH		RATED CFM	NET MBH		SEER	EER
					TOTAL	SENS.		
13 SEER AC WITH HIGH EFFICIENCY MOTOR FURNACES²								
TCJD42S41S2(H)(E)	C*9C*C16	21.0	UC60C	1445	41.5	29.6	13.00	11.00
	C*9C*C20	21.0	FC/MC/PC43C	1395	42.0	30.0	13.25	11.25
	C*9C*C20	21.0	FC/MC/PC48C	1430	42.0	30.4	13.25	11.25
	C*9C*C20	21.0	FC/MC/PC48D	1430	42.0	30.4	13.25	11.25
	C*9C*C20	21.0	FC/MC/PC60D	1445	42.0	29.8	13.25	11.25
	C*9C*C20	21.0	FC/MC62D	1445	42.0	30.6	13.50	11.25
	C*9C*C20	21.0	FC/PC60C	1445	42.0	29.8	13.25	11.25
	C*9C*C20	21.0	FC64D	1445	42.0	30.8	13.75	11.75
	C*9C*C20	21.0	UC48C	1430	42.0	30.2	13.25	11.25
	C*9C*C20	21.0	UC60C	1445	41.5	29.8	13.00	11.25
	C*9C*D20	24.5	FC/MC/PC48D	1450	42.0	30.2	13.50	11.50
	C*9C*D20	24.5	FC/MC/PC60D	1445	42.0	30.0	13.50	11.50
	C*9C*D20	24.5	FC/MC62D	1455	42.0	30.6	13.50	11.50
	C*9C*D20	24.5	FC64D	1455	42.0	30.6	14.00	11.75
C*9C*D20	24.5	UC48D	1450	42.0	30.2	13.50	11.50	
C*9C*D20	24.5	UC60D	1445	41.5	29.8	13.25	11.25	
TCJD48S41S1(H)(E)	T*(8,L)*V*C16	21.0	FC/MC/PC48C	1565	48.0	35.0	13.30	11.00
	T*(8,L)*V*C16	21.0	FC/PC60C	1600	48.0	35.0	13.30	11.00
	T*(8,L)*V*C20	21.0	FC/MC/PC48C	1640	48.0	35.0	13.20	11.00
	T*(8,L)*V*C20	21.0	FC/PC60C	1625	48.0	35.0	13.50	11.50
	T*9(C,V)*C16	21.0	FC/MC/PC48C	1590	48.0	34.6	13.10	11.00
	T*9(C,V)*C16	21.0	FC/PC60C	1590	48.0	35.2	13.10	11.00
	T*9(C,V)*C20	21.0	FC/MC/PC48C	1655	48.0	34.8	13.20	11.00
	T*9(C,V)*C20	21.0	FC/PC60C	1655	48.0	35.2	13.10	11.00
	T*9(C,V)*D20	24.5	FC/MC/PC48D	1645	48.0	35.2	13.20	11.00
	T*9(C,V)*D20	24.5	FC/MC/PC60D	1615	48.0	35.0	13.20	11.00
	TM8X080C16MP11	21.0	FC/MC/PC48C	1525	48.0	34.2	13.30	11.00
	TM8X080C16MP11	21.0	FC/PC60C	1525	48.0	34.4	13.30	11.00
	TM8X100C16MP11	21.0	FC/MC/PC48C	1525	48.0	34.2	13.30	11.00
	TM8X100C16MP11	21.0	FC/PC60C	1525	48.0	34.4	13.30	11.00
	TM8X100C20MP11	21.0	FC/MC/PC48C	1550	48.0	34.4	13.20	11.50
	TM8X100C20MP11	21.0	FC/MC/PC60D	1575	48.5	34.6	13.30	11.50
	TM8X100C20MP11	21.0	FC/PC60C	1550	48.5	34.6	13.25	11.50
	TM8X120C20MP11	21.0	FC/MC/PC48C	1550	48.0	34.4	13.20	11.50
	TM8X120C20MP11	21.0	FC/MC/PC60D	1575	48.5	34.6	13.30	11.50
	TM8X120C20MP11	21.0	FC/PC60C	1550	48.5	34.6	13.25	11.50
	TM9E100C20MP11	21.0	FC/MC/PC48C	1500	47.5	33.8	13.10	11.25
	TM9E120D20MP11	24.5	FC/MC/PC48D	1525	48.0	34.2	13.20	11.50
	TM9E120D20MP11	24.5	FC/MC/PC60D	1550	48.5	34.6	13.20	11.50
	TM9X100C20MP11	21.0	FC/MC/PC48C	1500	47.5	33.8	13.10	11.25
	TM9X120D20MP11	24.5	FC/MC/PC48D	1525	48.0	34.2	13.20	11.50
	TM9X120D20MP11	24.5	FC/MC/PC60D	1550	48.5	34.6	13.20	11.50
	TMLX080C16MP11	21.0	FC/MC/PC48C	1525	48.0	34.2	13.30	11.00
	TMLX080C16MP11	21.0	FC/PC60C	1525	48.0	34.4	13.30	11.00
	TMLX100C16MP11	21.0	FC/MC/PC48C	1525	48.0	34.2	13.30	11.00
	TMLX100C16MP11	21.0	FC/PC60C	1525	48.0	34.4	13.30	11.00
TMLX100C20MP11	21.0	FC/MC/PC48C	1550	48.0	34.4	13.20	11.50	
TMLX100C20MP11	21.0	FC/MC/PC60D	1575	48.5	34.6	13.30	11.50	
TMLX100C20MP11	21.0	FC/PC60C	1550	48.5	34.6	13.25	11.50	
TMLX120C20MP11	21.0	FC/MC/PC48C	1550	48.0	34.4	13.20	11.50	

For notes see Page 19.

COOLING CAPACITY - With High Efficiency Motor Furnaces (Continued)

UNIT MODEL	FURNACE		COIL MODEL ¹	COOLING				
	MODEL	WIDTH		RATED CFM	NET MBH		SEER	EER
					TOTAL	SENS.		
13 SEER AC WITH HIGH EFFICIENCY MOTOR FURNACES²								
TCJD48S41S1(H)(E)	TMLX120C20MP11	21.0	FC/MC/PC60D	1575	48.5	34.6	13.30	11.50
	TMLX120C20MP11	21.0	FC/PC60C	1550	48.5	34.6	13.25	11.50
	C*(8,L)C*C16	21.0	FC/MC/PC48C	1565	48.0	35.0	13.30	11.00
	C*(8,L)C*C16	21.0	FC/PC60C	1600	48.0	35.0	13.30	11.00
	C*(8,L)C*C20	21.0	FC/MC/PC48C	1640	48.0	35.0	13.20	11.00
	C*(8,L)C*C20	21.0	FC/PC60C	1625	48.0	35.0	13.50	11.50
	C*9C*C16	21.0	FC/MC/PC48C	1590	48.0	34.6	13.10	11.00
	C*9C*C16	21.0	FC/PC60C	1590	48.0	35.2	13.10	11.00
	C*9C*C20	21.0	FC/MC/PC48C	1655	48.0	34.8	13.20	11.00
	C*9C*C20	21.0	FC/PC60C	1655	48.0	35.2	13.10	11.00
	C*9C*D20	24.5	FC/MC/PC48D	1645	48.0	35.2	13.20	11.00
C*9C*D20	24.5	FC/MC/PC60D	1615	48.0	35.0	13.20	11.00	
TCJD60S41S2(E)	T*(8,L)C*C20	21.0	FC/MC/PC60D	1600	54.0	37.6	13.25	11.25
	T*(8,L)C*C20	21.0	FC/MC62D	1620	55.0	39.1	13.50	11.25
	T*(8,L)C*C20	21.0	FC64D	1630	57.0	40.6	14.00	11.75
	T*(8,L)C*C20	21.0	UC60C	1605	54.0	37.6	13.25	11.25
	T*(8,L)V*C20	21.0	FC/MC/PC60D	1600	54.0	37.6	13.25	11.25
	T*(8,L)V*C20	21.0	FC/MC62D	1620	55.0	39.1	13.50	11.25
	T*(8,L)V*C20	21.0	FC64D	1630	57.0	40.6	14.00	11.75
	T*(8,L)V*C20	21.0	UC60C	1605	54.0	37.6	13.25	11.25
	T*9(C,V)*C20	21.0	FC/MC62D	1655	55.0	39.1	13.25	11.00
	T*9(C,V)*C20	21.0	FC64D	1655	57.0	40.6	13.50	11.25
	T*9(C,V)*D20	24.5	FC/MC62D	1630	55.0	39.1	13.25	11.00
	T*9(C,V)*D20	24.5	FC64D	1630	57.0	40.6	13.50	11.50
	TM8X080C16MP11	21.0	FC64D	1550	56.0	39.2	13.25	11.25
	TM8X100C16MP11	21.0	FC64D	1550	56.0	39.2	13.25	11.25
	TM8X100C20MP11	21.0	FC64D	1600	56.5	39.7	13.50	11.50
	TM8X120C20MP11	21.0	FC64D	1600	56.5	39.7	13.50	11.50
	TM9E100C20MP11	21.0	FC64D	1550	56.0	39.2	13.25	11.25
	TM9E120D20MP11	24.5	FC64D	1525	56.0	39.2	13.25	11.25
	TM9X100C20MP11	21.0	FC64D	1550	56.0	39.2	13.25	11.25
	TM9X120D20MP11	24.5	FC64D	1525	56.0	39.2	13.25	11.25
	TMLX080C16MP11	21.0	FC64D	1550	56.0	39.2	13.25	11.25
	TMLX100C16MP11	21.0	FC64D	1550	56.0	39.2	13.25	11.25
	TMLX100C20MP11	21.0	FC64D	1600	56.5	39.7	13.50	11.50
	TMLX120C20MP11	21.0	FC64D	1600	56.5	39.7	13.50	11.50
	C*(8,L)C*C20	21.0	FC/MC/PC60D	1600	54.0	37.6	13.25	11.25
	C*(8,L)C*C20	21.0	FC/MC62D	1620	55.0	39.1	13.50	11.25
	C*(8,L)C*C20	21.0	FC64D	1630	57.0	40.6	14.00	11.75
	C*(8,L)C*C20	21.0	UC60C	1605	54.0	37.6	13.25	11.25
	C*9C*C20	21.0	FC/MC62D	1655	55.0	39.1	13.25	11.00
	C*9C*C20	21.0	FC64D	1655	57.0	40.6	13.50	11.25
C*9C*D20	24.5	FC/MC62D	1630	55.0	39.1	13.25	11.00	
C*9C*D20	24.5	FC64D	1630	57.0	40.6	13.50	11.50	

1. MC coils available with a factory installed horizontal drain pan. See price pages for specific model number.

2. High Efficiency Motor Furnaces have B.O.D (Blower on Delay) standard.

PSC furnaces, such as the TG8S, TGLS, and TG9S, use Coil Only Ratings.

ACCESSORIES & APPLICATIONS

Refer to Price Manual for specific model numbers.

Application Limits		
Maximum Lineset Equivalent Length	75 Ft	
Outdoor Ambient Temperature Limits		
Cooling Operation	Maximum DB	115°F
	Minimum DB	50°F

Long Lineset Applications - For installations with more than 75' of equivalent lineset length, refer to the current version of the **Piping Application Guide 247077-UAD-H-0209**, available in the Application Bulletins section on UPGnet.

Off Cycle Timer Delay - Provides a 5-minute off cycle to prevent rapid recycling of the compressor.

Start Assist Kit (S1-2SA067*) - Provides increased starting torque for areas with low voltage. See Hard Start Kit Accessory Installation Manual for Hard Start Kit part number for each model.

TXV Kits - S1-1TVM series thermal expansion valves precisely meter refrigerant for optimum performance over a wide range of conditions. See System Charge table for TXV part number for each model.

Low Ambient Pressure Switch Kit (S1-2LA06700424) - Allows the use of air conditioning at low outdoor ambient temperatures down to +20°F (-7°C). For use with single-stage models containing R-410A refrigerant only.

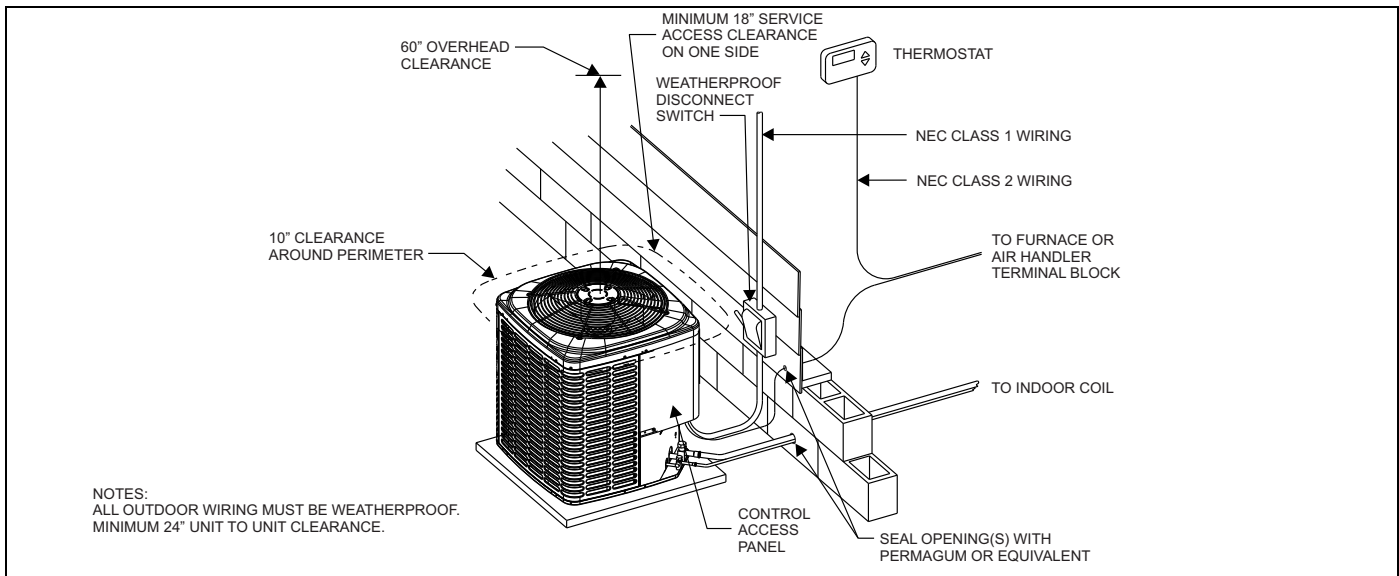
Thermostats - Compatible thermostat controls are available through accessory sourcing. For optimum performance and installation, refer to the UPGNET "Low Voltage Wiring Diagram" document to select and apply controls.

SOUND POWER RATINGS

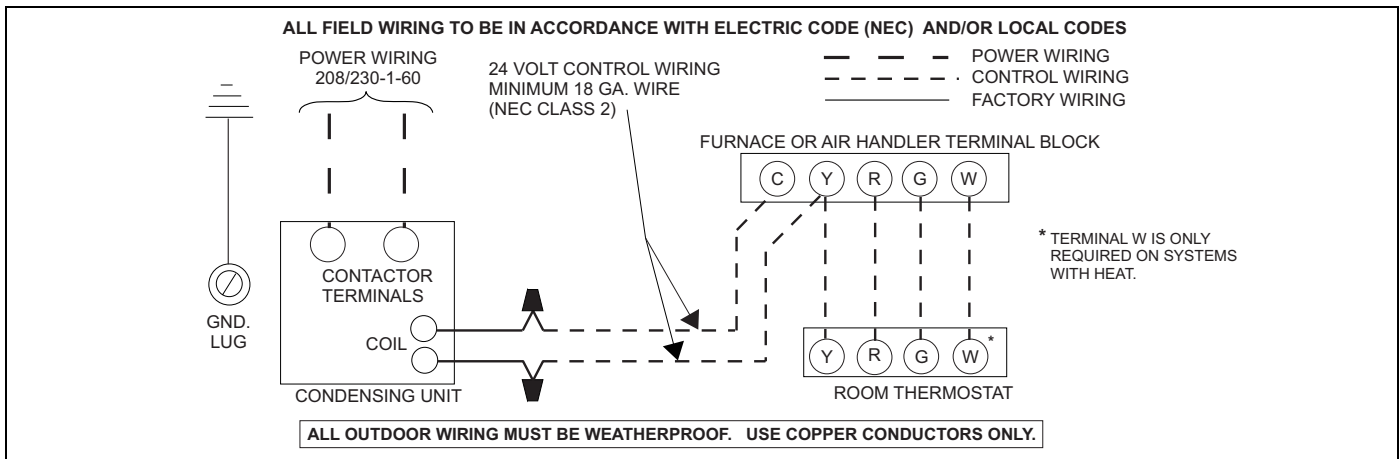
UNIT MODEL	(dBA)
18	75
24	76
30	76
36	76
42	76
48	77
60	75

Rated in accordance with ARI Standard 270-1995.

TYPICAL INSTALLATION



TYPICAL FIELD WIRING



COOLING PERFORMANCE DATA																
AIR CONDITIONER MODEL NO.		TCJD18S41S3(H)(E)														
INDOOR COIL MODEL NO.		FC/MC/PC18														
AIR TEMP. ENTERING OUTDOOR UNIT (°F)	ID CFM	450					600					750				
	ID DB (°F)	80	80	75	80	80	80	80	75	80	80	80	80	75	80	80
	ID WB (°F)	57	62	62	67	72	57	62	62	67	72	57	62	62	67	72
65	T.C.	16.3	18.4	18.3	20.1	20.7	17.5	19.0	18.7	20.2	20.9	18.7	19.6	19.1	20.3	21.1
	S.C.	16.3	14.5	12.7	12.6	9.7	17.5	17.1	14.2	13.6	10.3	18.7	17.2	15.7	14.6	10.9
	KW	1.16	1.16	1.16	1.15	1.14	1.21	1.21	1.21	1.20	1.20	1.26	1.26	1.27	1.26	1.25
75	T.C.	15.6	17.4	17.3	19.0	19.9	16.8	18.1	17.7	19.3	20.1	18.1	18.8	18.2	19.5	20.3
	S.C.	15.6	14.3	12.2	12.2	9.3	16.8	16.3	13.8	13.4	10.1	18.1	18.4	15.4	14.6	10.8
	KW	1.28	1.28	1.28	1.28	1.27	1.34	1.34	1.34	1.33	1.33	1.39	1.39	1.39	1.39	1.39
85	T.C.	14.8	16.4	16.2	18.0	19.2	16.1	17.2	16.7	18.4	19.3	17.4	18.0	17.3	18.8	19.5
	S.C.	14.8	14.0	11.8	11.7	9.0	16.1	15.6	13.5	13.2	9.8	17.4	17.2	15.1	14.6	10.6
	KW	1.40	1.41	1.40	1.41	1.41	1.46	1.46	1.46	1.46	1.47	1.52	1.52	1.52	1.52	1.52
95	T.C.	14.0	15.4	15.1	17.0	18.4	15.4	16.3	15.8	17.5	18.6	16.7	17.2	16.4	18.0	18.7
	S.C.	14.0	13.8	11.3	11.3	8.6	15.4	14.8	13.1	13.0	9.6	16.7	15.9	14.9	14.6	10.5
	KW	1.53	1.53	1.53	1.53	1.54	1.59	1.59	1.59	1.59	1.60	1.65	1.65	1.65	1.65	1.66
105	T.C.	13.0	14.2	13.7	15.6	17.1	14.3	15.1	14.3	16.1	17.3	15.5	16.1	15.0	16.6	17.4
	S.C.	13.0	13.1	10.7	10.8	8.3	14.3	14.0	12.4	12.5	9.3	15.5	14.9	14.0	14.3	10.3
	KW	1.69	1.69	1.69	1.70	1.71	1.75	1.75	1.75	1.76	1.77	1.82	1.82	1.81	1.82	1.83
115	T.C.	12.1	13.0	12.3	14.3	15.9	13.2	14.0	13.0	14.7	16.0	14.3	15.0	13.6	15.2	16.2
	S.C.	12.1	12.4	10.1	10.3	8.0	13.2	13.1	11.7	12.1	9.0	14.3	13.8	13.2	13.9	10.1
	KW	1.85	1.85	1.84	1.85	1.87	1.91	1.91	1.91	1.92	1.94	1.98	1.98	1.97	1.98	2.00
125	T.C.	11.1	11.9	10.9	12.9	14.7	12.1	12.9	11.6	13.4	14.8	13.1	13.9	12.3	13.8	14.9
	S.C.	11.1	11.8	9.5	9.8	7.6	12.1	12.3	10.9	11.7	8.7	13.1	12.8	12.3	13.5	9.8
	KW	2.00	2.00	1.99	2.01	2.04	2.08	2.07	2.06	2.08	2.10	2.15	2.14	2.13	2.15	2.16

NOTE: ALL CAPACITIES INCLUDE INDOOR FAN HEAT. KW VALUES ARE FOR THE SYSTEM (OUTDOOR + INDOOR).

Multipliers for determining the performance with other indoor sections.

NOTE: For dry bulb temperatures different than those listed (between 73-87 °F), sensible capacity increases by 1060 BTUH per 1000 CFM per degree above the listed temperature and decreases by 1060 BTUH per 1000 CFM per degree below the listed temperature.

Air Handlers	Coils	T.C.	S.C.	KW
–	FC/MC/PC18	1.00	1.00	1.00
–	UC18	1.00	1.00	1.00
AHE18B	–	1.02	1.07	0.92
AHR18B	–	1.02	1.07	1.02
AHV18B	–	1.01	1.04	0.90
AHV24B	–	1.02	1.05	0.90
AHV30B	–	1.03	1.12	0.91
AHV36C	–	1.04	1.12	0.90
MV12B	FC/MC18B	1.00	1.03	0.88
MX12BN21	FC/MC18B	1.02	1.04	0.90

Furnaces	Coils	T.C.	S.C.	KW
T*(8,L)V*A12	FC/MC/PC18A	1.00	0.98	0.88
T*(8,L)V*A12	UC18A	1.00	0.98	0.92
T*(8,L)V*B12	FC/MC/PC18B	1.00	0.98	0.92
T*(8,L)V*B12	UC18B	1.00	0.97	0.92
T*9(C,V)*B12	FC/MC/PC18B	1.00	0.99	0.88
T*9(C,V)*B12	UC18B	1.00	0.98	0.88
T*9V*A10	FC/MC/PC18A	1.03	1.03	0.91
TM8X060A12MP11	FC/MC/PC18A	1.02	1.04	0.90
TM8X060A12MP11	UC18A	1.02	1.05	0.92
TM8X080B12MP11	FC/MC/PC18B	1.02	1.03	0.90

Furnaces	Coils	T.C.	S.C.	KW
TM8X080B12MP11	UC18B	1.02	1.05	0.92
TM9E040A10MP11	FC/MC/PC18A	1.00	1.02	0.94
TM9E040A10MP11	UC18A	1.01	1.03	0.97
TM9E060B12MP11	FC/MC/PC18B	1.01	1.03	0.90
TM9E060B12MP11	UC18B	1.02	1.04	0.92
TM9E080B12MP11	FC/MC/PC18B	1.01	1.03	0.90
TM9E080B12MP11	UC18B	1.02	1.04	0.92
TM9X040A10MP11	FC/MC/PC18A	1.00	1.02	0.94
TM9X040A10MP11	UC18A	1.01	1.03	0.97
TM9X060B12MP11	FC/MC/PC18B	1.01	1.03	0.90
TM9X060B12MP11	UC18B	1.02	1.04	0.92
TM9X080B12MP11	FC/MC/PC18B	1.01	1.03	0.90
TM9X080B12MP11	UC18B	1.02	1.04	0.92
TMLX060A12MP11	FC/MC/PC18A	1.02	1.04	0.90
TMLX060A12MP11	UC18A	1.02	1.05	0.92
TMLX080B12MP11	FC/MC/PC18B	1.02	1.03	0.90
TMLX080B12MP11	UC18B	1.02	1.05	0.92
C*(8,L)C*A12	FC/MC/PC18A	1.00	0.98	0.88
C*(8,L)C*A12	UC18A	1.00	0.98	0.92
C*(8,L)C*B12	FC/MC/PC18B	1.00	0.98	0.92
C*(8,L)C*B12	UC18B	1.00	0.97	0.92
C*9C*B12	FC/MC/PC18B	1.00	0.99	0.88
C*9C*B12	UC18B	1.00	0.98	0.88

COOLING PERFORMANCE DATA																
AIR CONDITIONER MODEL NO.		TCJD24S41S3(H)(E)														
INDOOR COIL MODEL NO.		FC/MC/PC36														
AIR TEMP. ENTERING OUTDOOR UNIT (°F)	ID CFM	600					800					1000				
	ID DB (°F)	80	80	75	80	80	80	80	75	80	80	80	80	75	80	80
	ID WB (°F)	57	62	62	67	72	57	62	62	67	72	57	62	62	67	72
65	T.C.	20.5	25.5	25.4	27.0	28.2	22.6	26.7	26.5	28.3	29.5	24.7	28.0	27.7	29.6	30.8
	S.C.	20.5	19.1	16.6	16.3	13.3	22.6	22.0	18.8	18.0	14.2	24.7	24.9	21.0	19.7	15.1
	KW	1.66	1.67	1.67	1.67	1.67	1.73	1.74	1.74	1.74	1.74	1.81	1.81	1.82	1.82	1.82
75	T.C.	19.1	23.5	23.4	25.5	27.2	21.4	25.0	24.7	26.9	28.6	23.7	26.4	26.0	28.2	29.9
	S.C.	19.1	18.5	15.7	15.8	12.8	21.4	21.1	18.0	17.6	13.8	23.7	23.8	20.4	19.4	14.9
	KW	1.79	1.80	1.80	1.81	1.82	1.87	1.87	1.88	1.89	1.90	1.95	1.95	1.95	1.97	1.98
85	T.C.	17.7	21.6	21.3	24.0	26.3	20.2	23.2	22.8	25.4	27.6	22.7	24.8	24.3	26.9	28.9
	S.C.	17.7	17.9	14.9	15.3	12.3	20.2	20.3	17.3	17.2	13.5	22.7	22.7	19.7	19.1	14.6
	KW	1.92	1.92	1.92	1.95	1.98	2.01	2.01	2.01	2.04	2.06	2.09	2.10	2.09	2.12	2.14
95	T.C.	16.3	19.6	19.3	22.5	25.3	19.0	21.5	21.0	24.0	26.7	21.7	23.3	22.6	25.5	28.0
	S.C.	16.3	17.3	14.1	14.7	11.9	19.0	19.5	16.5	16.8	13.1	21.6	21.6	19.0	18.9	14.4
	KW	2.05	2.05	2.05	2.09	2.14	2.14	2.15	2.14	2.18	2.22	2.24	2.24	2.23	2.27	2.30
105	T.C.	15.0	17.7	17.1	20.1	23.1	17.4	19.5	18.8	21.6	24.4	19.8	21.3	20.4	23.1	25.8
	S.C.	15.0	15.9	13.1	13.8	11.1	17.4	17.8	15.3	15.9	12.5	19.8	19.8	17.4	18.0	13.9
	KW	2.17	2.17	2.16	2.22	2.28	2.28	2.28	2.26	2.31	2.37	2.38	2.39	2.36	2.41	2.45
115	T.C.	13.8	15.8	15.0	17.9	20.9	15.9	17.6	16.6	19.3	22.2	18.0	19.4	18.3	20.7	23.6
	S.C.	13.8	14.6	12.1	12.9	10.4	15.9	16.3	14.0	15.0	11.8	17.9	17.9	15.8	17.1	13.3
	KW	2.29	2.29	2.27	2.34	2.41	2.41	2.41	2.38	2.44	2.51	2.53	2.53	2.49	2.54	2.60
125	T.C.	12.5	13.9	12.8	15.7	18.7	14.4	15.7	14.5	17.0	20.1	16.2	17.5	16.2	18.4	21.4
	S.C.	12.5	13.4	11.2	12.0	9.6	14.4	14.7	12.7	14.1	11.2	16.1	16.1	14.3	16.2	12.8
	KW	2.41	2.41	2.38	2.46	2.55	2.54	2.54	2.50	2.56	2.65	2.67	2.67	2.61	2.67	2.75

NOTE: ALL CAPACITIES INCLUDE INDOOR FAN HEAT. KW VALUES ARE FOR THE SYSTEM (OUTDOOR + INDOOR).

Multipliers for determining the performance with other indoor sections.

NOTE: For dry bulb temperatures different than those listed (between 73-87 °F), sensible capacity increases by 1060 BTUH per 1000 CFM per degree above the listed temperature and decreases by 1060 BTUH per 1000 CFM per degree below the listed temperature.

Air Handlers	Coils	T.C.	S.C.	KW
–	FC/MC/PC32	1.00	1.00	1.00
–	FC/MC/PC35	1.00	1.00	1.00
–	FC/MC/PC36	1.00	1.00	1.00
–	FC/MC/PC37	1.00	1.00	1.00
–	FC/MC/PC43	1.00	1.00	1.00
–	UC36	1.00	1.00	1.00
AHE24B	–	1.02	1.04	0.93
AHE30B	–	1.02	1.04	0.93
AHE36C	–	1.05	1.11	0.92
AHR24B	–	0.99	0.99	0.99
AHV24B	–	1.00	0.99	0.92
AHV30B	–	1.00	1.01	0.92
AHV36C	–	1.00	1.02	0.90
MV12B	FC/MC35B	1.00	1.04	0.92
MV12B	FC/MC36B	1.00	1.04	0.92
MV12B	FC/MC43B	1.00	1.04	0.92
MX12BN21	FC/MC35B	1.03	1.05	0.90
MX12BN21	FC/MC36B	1.02	1.04	0.91
MX12BN21	FC/MC43B	1.03	1.06	0.91
MX16CN21	FC/MC35C	1.03	1.04	0.94
MX16CN21	FC/MC36C	1.02	1.04	0.93
MX16CN21	FC/MC43C	1.03	1.06	0.93

Furnaces	Coils	T.C.	S.C.	KW
T*(8,L)V*A12	FC/MC/PC32A	1.00	1.02	0.96
T*(8,L)V*A12	FC/MC/PC36A	1.00	1.01	0.92
T*(8,L)V*A12	FC/MC/PC37A	1.00	1.02	0.92
T*(8,L)V*A12	UC36A	0.98	0.99	0.94
T*(8,L)V*B12	FC/MC/PC35B	1.00	1.01	0.92
T*(8,L)V*B12	FC/MC/PC36B	1.00	1.02	0.92
T*(8,L)V*B12	FC/MC/PC43B	1.00	1.01	0.92
T*(8,L)V*B12	UC36B	0.98	1.00	0.94
T*9(C,V)*B12	FC/MC/PC35B	1.00	1.02	0.92
T*9(C,V)*B12	FC/MC/PC36B	1.00	1.01	0.92
T*9(C,V)*B12	FC/MC/PC43B	1.00	1.02	0.92
T*9(C,V)*B12	UC36B	0.98	1.00	0.94
T*9V*A10	FC/MC/PC32A	1.01	1.01	0.96
T*9V*A10	FC/MC/PC36A	1.00	1.01	0.96
T*9V*A10	FC/MC/PC37A	1.03	1.03	0.96
TM8X060A12MP11	FC/MC/PC32A	1.03	1.04	0.94
TM8X060A12MP11	FC/MC/PC36A	1.03	1.04	0.92
TM8X060A12MP11	FC/MC/PC37A	1.03	1.06	0.93
TM8X060A12MP11	UC36A	1.01	1.02	0.91
TM8X080B12MP11	FC/MC/PC35B	1.00	1.01	0.92
TM8X080B12MP11	FC/MC/PC36B	1.03	1.04	0.92
TM8X080B12MP11	FC/MC/PC43B	1.03	1.07	0.91

Continued on next page.

Furnaces	Coils	T.C.	S.C.	KW
TM8X080B12MP11	UC36B	1.00	1.02	0.92
TM8X080C16MP11	FC/MC/PC35C	1.02	1.04	0.95
TM8X080C16MP11	FC/MC/PC36C	1.02	1.02	0.89
TM8X080C16MP11	FC/MC/PC43C	1.03	1.05	0.96
TM8X080C16MP11	UC36C	1.01	1.03	0.91
TM8X100C16MP11	FC/MC/PC35C	1.02	1.04	0.95
TM8X100C16MP11	FC/MC/PC36C	1.02	1.02	0.89
TM8X100C16MP11	FC/MC/PC43C	1.03	1.05	0.96
TM8X100C16MP11	UC36C	1.01	1.03	0.91
TM8X100C20MP11	FC/MC/PC35C	1.02	1.04	0.97
TM8X100C20MP11	FC/MC/PC36C	1.01	1.03	0.96
TM8X100C20MP11	FC/MC/PC43C	1.03	1.05	0.96
TM8X100C20MP11	UC36C	0.99	1.01	0.97
TM8X120C20MP11	FC/MC/PC35C	1.02	1.04	0.97
TM8X120C20MP11	FC/MC/PC36C	1.01	1.03	0.96
TM8X120C20MP11	FC/MC/PC43C	1.03	1.05	0.96
TM8X120C20MP11	UC36C	0.99	1.01	0.97
TM9E040A10MP11	FC/MC/PC32A	1.01	1.03	0.94
TM9E040A10MP11	FC/MC/PC36A	1.01	1.02	0.94
TM9E040A10MP11	FC/MC/PC37A	1.02	1.05	0.95
TM9E060B12MP11	FC/MC/PC35B	1.02	1.04	0.95
TM9E060B12MP11	FC/MC/PC36B	1.01	1.03	0.92
TM9E060B12MP11	FC/MC/PC43B	1.03	1.05	0.96
TM9E060B12MP11	UC36B	0.99	1.01	0.95
TM9E080B12MP11	FC/MC/PC35B	1.02	1.04	0.95
TM9E080B12MP11	FC/MC/PC36B	1.01	1.03	0.92
TM9E080B12MP11	FC/MC/PC43B	1.03	1.05	0.96
TM9E080B12MP11	UC36B	0.99	1.01	0.95
TM9E080C16MP11	FC/MC/PC35C	1.01	1.03	0.94
TM9E080C16MP11	FC/MC/PC36C	1.01	1.02	0.94
TM9E080C16MP11	FC/MC/PC43C	1.02	1.05	0.97
TM9E100C16MP11	FC/MC/PC35C	1.01	1.03	0.94
TM9E100C16MP11	FC/MC/PC36C	1.01	1.02	0.94
TM9E100C16MP11	FC/MC/PC43C	1.02	1.05	0.97
TM9E100C20MP11	FC/MC/PC35C	1.03	1.04	0.94
TM9E100C20MP11	FC/MC/PC36C	1.02	1.04	0.93
TM9E100C20MP11	FC/MC/PC43C	1.03	1.06	0.95
TM9E100C20MP11	UC36C	1.00	1.02	0.94
TM9X040A10MP11	FC/MC/PC32A	1.01	1.03	0.94
TM9X040A10MP11	FC/MC/PC36A	1.01	1.02	0.94
TM9X040A10MP11	FC/MC/PC37A	1.02	1.05	0.95
TM9X060B12MP11	FC/MC/PC35B	1.02	1.04	0.95
TM9X060B12MP11	FC/MC/PC36B	1.01	1.03	0.92
TM9X060B12MP11	FC/MC/PC43B	1.03	1.05	0.96
TM9X060B12MP11	UC36B	0.99	1.01	0.95
TM9X080B12MP11	FC/MC/PC35B	1.02	1.04	0.95
TM9X080B12MP11	FC/MC/PC36B	1.01	1.03	0.92
TM9X080B12MP11	FC/MC/PC43B	1.03	1.05	0.96
TM9X080B12MP11	UC36B	0.99	1.01	0.95

Furnaces	Coils	T.C.	S.C.	KW
TM9X080C16MP11	FC/MC/PC35C	1.01	1.03	0.94
TM9X080C16MP11	FC/MC/PC36C	1.01	1.02	0.94
TM9X080C16MP11	FC/MC/PC43C	1.02	1.05	0.97
TM9X100C16MP11	FC/MC/PC35C	1.01	1.03	0.94
TM9X100C16MP11	FC/MC/PC36C	1.01	1.02	0.94
TM9X100C16MP11	FC/MC/PC43C	1.02	1.05	0.97
TM9X100C20MP11	FC/MC/PC35C	1.03	1.04	0.94
TM9X100C20MP11	FC/MC/PC36C	1.02	1.04	0.93
TM9X100C20MP11	FC/MC/PC43C	1.03	1.06	0.95
TM9X100C20MP11	UC36C	1.00	1.02	0.94
TMLX060A12MP11	FC/MC/PC32A	1.03	1.04	0.94
TMLX060A12MP11	FC/MC/PC36A	1.03	1.04	0.92
TMLX060A12MP11	FC/MC/PC37A	1.03	1.06	0.93
TMLX060A12MP11	UC36A	1.01	1.02	0.91
TMLX080B12MP11	FC/MC/PC35B	1.00	1.01	0.92
TMLX080B12MP11	FC/MC/PC36B	1.03	1.04	0.92
TMLX080B12MP11	FC/MC/PC43B	1.03	1.07	0.91
TMLX080B12MP11	UC36B	1.00	1.02	0.92
TMLX080C16MP11	FC/MC/PC35C	1.02	1.04	0.95
TMLX080C16MP11	FC/MC/PC36C	1.02	1.02	0.89
TMLX080C16MP11	FC/MC/PC43C	1.03	1.05	0.96
TMLX080C16MP11	UC36C	1.01	1.03	0.91
TMLX100C16MP11	FC/MC/PC35C	1.02	1.04	0.95
TMLX100C16MP11	FC/MC/PC36C	1.02	1.02	0.89
TMLX100C16MP11	FC/MC/PC43C	1.03	1.05	0.96
TMLX100C16MP11	UC36C	1.01	1.03	0.91
TMLX100C20MP11	FC/MC/PC35C	1.02	1.04	0.97
TMLX100C20MP11	FC/MC/PC36C	1.01	1.03	0.96
TMLX100C20MP11	FC/MC/PC43C	1.03	1.05	0.96
TMLX100C20MP11	UC36C	0.99	1.01	0.97
TMLX120C20MP11	FC/MC/PC35C	1.02	1.04	0.97
TMLX120C20MP11	FC/MC/PC36C	1.01	1.03	0.96
TMLX120C20MP11	FC/MC/PC43C	1.03	1.05	0.96
TMLX120C20MP11	UC36C	0.99	1.01	0.97
C*(8,L)C*A12	FC/MC/PC32A	1.00	1.02	0.96
C*(8,L)C*A12	FC/MC/PC36A	1.00	1.01	0.92
C*(8,L)C*A12	FC/MC/PC37A	1.00	1.02	0.92
C*(8,L)C*A12	UC36A	0.98	0.99	0.94
C*(8,L)C*B12	FC/MC/PC35B	1.00	1.01	0.92
C*(8,L)C*B12	FC/MC/PC36B	1.00	1.02	0.92
C*(8,L)C*B12	FC/MC/PC43B	1.00	1.01	0.92
C*(8,L)C*B12	UC36B	0.98	1.00	0.94
C*9C*B12	FC/MC/PC35B	1.00	1.02	0.92
C*9C*B12	FC/MC/PC36B	1.00	1.01	0.92
C*9C*B12	FC/MC/PC43B	1.00	1.02	0.92
C*9C*B12	UC36B	0.98	1.00	0.94

COOLING PERFORMANCE DATA																
AIR CONDITIONER MODEL NO.		TCJD30S41S3(H)(E)														
INDOOR COIL MODEL NO.		FC/MC/PC32														
AIR TEMP. ENTERING OUTDOOR UNIT (°F)	ID CFM	800					1000					1200				
	ID DB (°F)	80	80	75	80	80	80	80	75	80	80	80	80	75	80	80
	ID WB (°F)	57	62	62	67	72	57	62	62	67	72	57	62	62	67	72
65	T.C.	30.2	33.4	32.8	35.2	36.5	31.7	33.9	33.4	35.5	36.7	33.2	34.3	34.1	35.9	36.9
	S.C.	28.9	26.3	22.1	21.6	16.3	30.3	29.5	24.0	23.0	17.4	31.8	32.6	25.9	24.4	18.5
	KW	2.18	2.20	2.20	2.21	2.23	2.27	2.28	2.29	2.42	2.32	2.37	2.36	2.38	2.63	2.41
75	T.C.	28.0	30.7	30.0	32.9	34.7	29.7	31.5	30.7	33.3	34.8	31.3	32.4	31.5	33.8	35.0
	S.C.	26.9	25.2	20.9	20.7	15.6	28.4	27.6	23.0	22.4	16.7	30.0	30.1	25.1	24.1	17.8
	KW	2.36	2.37	2.37	2.40	2.43	2.46	2.47	2.47	2.49	2.53	2.56	2.56	2.56	2.58	2.62
85	T.C.	25.9	28.0	27.2	30.6	32.8	27.7	29.2	28.0	31.2	33.0	29.5	30.5	28.8	31.7	33.1
	S.C.	24.8	24.0	19.8	19.8	15.0	26.5	25.8	22.0	21.8	16.1	28.2	27.5	24.3	23.8	17.1
	KW	2.54	2.54	2.54	2.59	2.64	2.65	2.65	2.64	2.56	2.73	2.76	2.75	2.74	2.54	2.83
95	T.C.	23.8	25.3	24.5	28.3	31.0	25.7	26.9	25.3	29.0	31.1	27.6	28.6	26.2	29.7	31.3
	S.C.	22.8	22.9	18.6	18.9	14.4	24.6	23.9	21.0	21.2	15.4	26.5	25.0	23.5	23.5	16.5
	KW	2.72	2.72	2.71	2.78	2.84	2.84	2.83	2.81	2.64	2.94	2.95	2.94	2.92	2.49	3.04
105	T.C.	21.8	23.1	21.7	25.2	27.9	23.4	24.6	22.6	25.8	28.0	25.0	26.1	23.5	26.4	28.1
	S.C.	20.9	21.1	17.4	17.7	13.4	22.4	22.2	19.3	19.3	14.5	24.0	23.3	21.3	20.8	15.7
	KW	2.91	3.02	2.88	2.96	3.04	3.03	3.08	2.99	2.90	3.14	3.15	3.14	3.10	2.84	3.24
115	T.C.	19.8	21.1	19.1	22.2	25.0	21.2	22.4	19.9	22.7	25.0	22.6	23.6	20.8	23.2	25.0
	S.C.	19.0	19.3	16.2	16.7	12.5	20.3	20.5	17.7	17.4	13.7	21.6	21.6	19.2	18.2	14.9
	KW	3.10	3.31	3.05	3.14	3.23	3.22	3.33	3.17	3.16	3.33	3.34	3.34	3.29	3.18	3.43
125	T.C.	17.8	19.0	16.4	19.2	22.0	19.0	20.1	17.3	19.6	22.0	20.1	21.2	18.2	20.0	22.0
	S.C.	17.1	17.5	15.1	15.6	11.6	18.2	18.7	16.1	15.6	12.9	19.2	20.0	17.1	15.6	14.2
	KW	3.28	3.61	3.22	3.31	3.42	3.41	3.57	3.34	3.42	3.52	3.53	3.54	3.47	3.53	3.63

NOTE: ALL CAPACITIES INCLUDE INDOOR FAN HEAT. KW VALUES ARE FOR THE SYSTEM (OUTDOOR + INDOOR).

Multipliers for determining the performance with other indoor sections.

NOTE: For dry bulb temperatures different than those listed (between 73-87 °F), sensible capacity increases by 1060 BTUH per 1000 CFM per degree above the listed temperature and decreases by 1060 BTUH per 1000 CFM per degree below the listed temperature.

Air Handlers	Coils	T.C.	S.C.	KW
–	FC/MC/PC32	1.00	1.00	1.00
–	FC/MC/PC35	1.00	1.00	1.00
–	FC/MC/PC37	1.00	1.00	1.00
–	FC/MC/PC43	1.00	1.00	1.00
AHE30B	–	1.01	1.02	0.95
AHE36C	–	1.04	1.05	0.94
AHR30B	–	1.01	1.06	1.01
AHR36B	–	1.03	1.05	1.03
AHV30B	–	1.00	1.01	0.96
AHV36C	–	1.00	1.00	0.92
AHV42D	–	1.03	1.09	0.93
MV12B	FC/MC35B	1.00	1.03	0.92
MV12B	FC/MC43B	1.00	1.03	0.92
MV16C	FC/MC35C	1.03	1.03	0.95
MV16C	FC/MC43C	1.03	1.03	0.95
MX12BN21	FC/MC35B	1.01	1.03	0.93
MX12BN21	FC/MC43B	1.02	1.05	0.92
MX16CN21	FC/MC35C	1.01	1.03	0.91
MX16CN21	FC/MC43C	1.02	1.02	0.90

Continued on next page.

Furnaces	Coils	T.C.	S.C.	KW
T*(8,L)V*A12	FC/MC/PC32A	1.01	1.04	1.01
T*(8,L)V*A12	FC/MC/PC37A	1.03	1.04	0.98
T*(8,L)V*B12	FC/MC/PC35B	1.02	1.02	0.98
T*(8,L)V*B12	FC/MC/PC43B	1.03	1.05	0.95
T*(8,L)V*C16	FC/MC/PC35C	1.02	1.05	0.94
T*(8,L)V*C16	FC/MC/PC43C	1.03	1.05	0.95
T*(8,L)V*C20	FC/MC/PC35C	1.03	1.07	0.95
T*(8,L)V*C20	FC/MC/PC43C	1.03	1.05	0.95
T*9(C,V)*B12	FC/MC/PC35B	1.01	1.05	0.97
T*9(C,V)*B12	FC/MC/PC43B	1.03	1.05	0.99
T*9(C,V)*C16	FC/MC/PC35C	1.02	1.05	0.94
T*9(C,V)*C16	FC/MC/PC43C	1.03	1.05	0.95
T*9(C,V)*C20	FC/MC/PC35C	1.02	1.05	0.94
T*9(C,V)*C20	FC/MC/PC43C	1.03	1.05	0.95
TM8X060A12MP11	FC/MC/PC32A	0.99	1.01	0.99
TM8X060A12MP11	FC/MC/PC37A	1.00	1.03	0.97
TM8X080B12MP11	FC/MC/PC35B	0.99	0.99	0.95
TM8X080B12MP11	FC/MC/PC43B	1.02	1.04	0.94
TM8X080C16MP11	FC/MC/PC35C	1.02	1.03	0.94
TM8X080C16MP11	FC/MC/PC43C	1.01	1.02	0.93
TM8X100C16MP11	FC/MC/PC35C	1.02	1.03	0.94
TM8X100C16MP11	FC/MC/PC43C	1.01	1.02	0.93
TM8X100C20MP11	FC/MC/PC35C	1.01	1.03	0.93
TM8X100C20MP11	FC/MC/PC43C	1.02	1.05	0.94
TM8X120C20MP11	FC/MC/PC35C	1.01	1.03	0.93
TM8X120C20MP11	FC/MC/PC43C	1.02	1.05	0.94
TM9E060B12MP11	FC/MC/PC35B	0.99	0.99	0.92
TM9E060B12MP11	FC/MC/PC43B	1.01	1.01	0.94
TM9E080B12MP11	FC/MC/PC35B	0.99	0.99	0.92
TM9E080B12MP11	FC/MC/PC43B	1.01	1.01	0.94
TM9E080C16MP11	FC/MC/PC35C	1.01	1.03	0.93
TM9E080C16MP11	FC/MC/PC43C	1.02	1.05	0.94
TM9E100C16MP11	FC/MC/PC35C	1.01	1.03	0.93
TM9E100C16MP11	FC/MC/PC43C	1.02	1.05	0.94
TM9E100C20MP11	FC/MC/PC35C	1.00	1.01	0.98
TM9E100C20MP11	FC/MC/PC43C	1.01	1.03	0.96

Furnaces	Coils	T.C.	S.C.	KW
TM9X060B12MP11	FC/MC/PC35B	0.99	0.99	0.92
TM9X060B12MP11	FC/MC/PC43B	1.01	1.01	0.94
TM9X080B12MP11	FC/MC/PC35B	0.99	0.99	0.92
TM9X080B12MP11	FC/MC/PC43B	1.01	1.01	0.94
TM9X080C16MP11	FC/MC/PC35C	1.01	1.03	0.93
TM9X080C16MP11	FC/MC/PC43C	1.02	1.05	0.94
TM9X100C16MP11	FC/MC/PC35C	1.01	1.03	0.93
TM9X100C16MP11	FC/MC/PC43C	1.02	1.05	0.94
TM9X100C20MP11	FC/MC/PC35C	1.00	1.01	0.98
TM9X100C20MP11	FC/MC/PC43C	1.01	1.03	0.96
TMLX060A12MP11	FC/MC/PC32A	0.99	1.01	0.99
TMLX060A12MP11	FC/MC/PC37A	1.00	1.03	0.97
TMLX080B12MP11	FC/MC/PC35B	0.99	0.99	0.95
TMLX080B12MP11	FC/MC/PC43B	1.02	1.04	0.94
TMLX080C16MP11	FC/MC/PC35C	1.02	1.03	0.94
TMLX080C16MP11	FC/MC/PC43C	1.01	1.02	0.93
TMLX100C16MP11	FC/MC/PC35C	1.02	1.03	0.94
TMLX100C16MP11	FC/MC/PC43C	1.01	1.02	0.93
TMLX100C20MP11	FC/MC/PC35C	1.01	1.03	0.93
TMLX100C20MP11	FC/MC/PC43C	1.02	1.05	0.94
TMLX120C20MP11	FC/MC/PC35C	1.01	1.03	0.93
TMLX120C20MP11	FC/MC/PC43C	1.02	1.05	0.94
C*(8,L)C*A12	FC/MC/PC32A	1.01	1.04	1.01
C*(8,L)C*A12	FC/MC/PC37A	1.03	1.04	0.98
C*(8,L)C*B12	FC/MC/PC35B	1.02	1.02	0.98
C*(8,L)C*B12	FC/MC/PC43B	1.03	1.05	0.95
C*(8,L)C*C16	FC/MC/PC35C	1.02	1.05	0.94
C*(8,L)C*C16	FC/MC/PC43C	1.03	1.05	0.95
C*(8,L)C*C20	FC/MC/PC35C	1.03	1.07	0.95
C*(8,L)C*C20	FC/MC/PC43C	1.03	1.05	0.95
C*9C*B12	FC/MC/PC35B	1.01	1.05	0.97
C*9C*B12	FC/MC/PC43B	1.03	1.05	0.99
C*9C*C16	FC/MC/PC35C	1.02	1.05	0.94
C*9C*C16	FC/MC/PC43C	1.03	1.05	0.95
C*9C*C20	FC/MC/PC35C	1.02	1.05	0.94
C*9C*C20	FC/MC/PC43C	1.03	1.05	0.95

COOLING PERFORMANCE DATA																
AIR CONDITIONER MODEL NO.		TCJD36S41S3(H)(E)														
INDOOR COIL MODEL NO.		FC/MC/PC37														
AIR TEMP. ENTERING OUTDOOR UNIT (°F)	ID CFM	1000					1200					1400				
	ID DB (°F)	80	80	75	80	80	80	80	75	80	80	80	80	75	80	80
	ID WB (°F)	57	62	62	67	72	57	62	62	67	72	57	62	62	67	72
65	T.C.	35.3	37.4	37.0	39.3	40.4	36.3	38.1	37.4	39.7	40.2	37.3	38.8	37.8	40.1	40.1
	S.C.	33.1	29.8	25.3	24.2	18.1	34.1	31.8	26.8	25.2	18.5	35.2	33.8	28.3	26.1	18.9
	KW	2.40	2.42	2.41	2.44	2.44	2.49	2.50	2.50	2.53	2.53	2.58	2.58	2.60	2.61	2.63
75	T.C.	33.8	35.6	35.1	37.7	39.3	34.9	36.4	35.6	38.1	39.3	36.1	37.2	36.1	38.5	39.3
	S.C.	31.7	29.4	24.8	23.9	17.9	32.9	31.4	26.5	25.1	18.5	34.1	33.3	28.2	26.3	19.1
	KW	2.61	2.63	2.62	2.66	2.67	2.71	2.72	2.71	2.75	2.77	2.80	2.80	2.80	2.83	2.86
85	T.C.	32.4	33.8	33.3	36.2	38.1	33.6	34.7	33.8	36.6	38.3	34.8	35.6	34.4	37.0	38.4
	S.C.	30.4	29.0	24.3	23.5	17.7	31.7	30.9	26.1	25.0	18.5	33.0	32.8	28.0	26.5	19.3
	KW	2.82	2.84	2.84	2.88	2.91	2.92	2.93	2.92	2.96	3.00	3.02	3.03	3.01	3.05	3.09
95	T.C.	31.0	32.0	31.5	34.6	37.0	32.3	33.0	32.1	35.0	37.3	33.6	34.0	32.7	35.4	37.6
	S.C.	29.0	28.6	23.7	23.1	17.5	30.5	30.5	25.8	24.9	18.5	31.9	32.3	27.9	26.6	19.5
	KW	3.04	3.05	3.05	3.09	3.14	3.14	3.15	3.13	3.18	3.23	3.24	3.25	3.22	3.27	3.32
105	T.C.	28.0	28.9	27.8	31.1	34.3	28.9	29.9	28.5	31.6	34.6	29.9	30.9	29.2	32.0	34.9
	S.C.	26.3	26.2	22.0	21.9	16.6	27.4	27.8	23.8	23.8	17.7	28.5	29.4	25.6	25.7	18.9
	KW	3.25	3.25	3.23	3.30	3.37	3.36	3.36	3.33	3.39	3.47	3.47	3.47	3.43	3.49	3.56
115	T.C.	25.0	25.9	24.3	27.8	31.7	25.7	26.9	25.1	28.2	32.0	26.4	27.9	25.9	28.7	32.3
	S.C.	23.7	23.9	20.3	20.8	15.8	24.4	25.2	21.8	22.8	17.0	25.2	26.6	23.4	24.7	18.3
	KW	3.45	3.46	3.42	3.50	3.60	3.57	3.57	3.52	3.60	3.70	3.68	3.69	3.63	3.70	3.79
125	T.C.	22.1	22.9	20.7	24.4	29.0	22.5	23.9	21.7	24.9	29.3	22.9	24.9	22.6	25.4	29.6
	S.C.	21.1	21.5	18.6	19.7	15.0	21.5	22.7	19.9	21.7	16.3	21.9	23.8	21.1	23.8	17.7
	KW	3.65	3.66	3.60	3.70	3.83	3.78	3.78	3.71	3.80	3.93	3.90	3.91	3.83	3.91	4.03

NOTE: ALL CAPACITIES INCLUDE INDOOR FAN HEAT. KW VALUES ARE FOR THE SYSTEM (OUTDOOR + INDOOR).

Multipliers for determining the performance with other indoor sections.

NOTE: For dry bulb temperatures different than those listed (between 73-87 °F), sensible capacity increases by 1060 BTUH per 1000 CFM per degree above the listed temperature and decreases by 1060 BTUH per 1000 CFM per degree below the listed temperature.

Air Handlers	Coils	T.C.	S.C.	KW
-	FC/MC/PC37	1.00	1.00	1.00
-	FC/MC/PC43	1.00	1.00	1.00
-	FC/MC/PC48	1.00	1.00	1.00
-	UC48	1.00	1.00	1.00
AHE36C	-	1.02	1.02	0.93
AHE42D	-	1.02	1.04	0.92
AHR36B	-	0.99	0.99	0.99
AHR42C	-	1.02	1.02	0.99
AHV36C	-	1.02	1.04	0.94
AHV42D	-	1.03	1.04	0.92
AHV48D	-	1.02	1.02	0.91
MV12B	FC/MC43B	1.01	1.02	0.95
MV12D	FC/MC48D	1.00	1.02	0.92
MV16C	FC/MC43C	1.03	1.02	0.94
MV16C	FC/MC48C	1.03	1.02	0.94
MV20D	FC/MC48D	1.03	1.03	0.94
MX12BN21	FC/MC43B	1.00	0.99	0.92
MX12DN21	FC/MC48D	1.01	1.02	0.89
MX16CN21	FC/MC43C	1.01	1.03	0.91
MX16CN21	FC/MC48C	1.02	1.04	0.91
MX20DN21	FC/MC48D	1.03	1.05	0.89

Furnaces	Coils	T.C.	S.C.	KW
T*(8,L)V*A12	FC/MC/PC37A	0.97	0.93	0.97
T*(8,L)V*B12	FC/MC/PC43B	1.01	1.02	1.01
T*(8,L)V*C16	FC/MC/PC43C	1.02	1.02	0.97
T*(8,L)V*C16	FC/MC/PC48C	1.03	1.05	0.94
T*(8,L)V*C16	UC48C	0.99	1.00	0.95
T*(8,L)V*C20	FC/MC/PC43C	1.02	1.02	0.93
T*(8,L)V*C20	FC/MC/PC48C	1.03	1.05	0.94
T*(8,L)V*C20	UC48C	0.99	1.00	0.95
T*9(C,V)*B12	FC/MC/PC43B	1.01	1.02	1.01
T*9(C,V)*C16	FC/MC/PC43C	1.01	1.02	0.97
T*9(C,V)*C16	FC/MC/PC48C	1.03	1.05	0.98
T*9(C,V)*C16	UC48C	0.99	1.00	0.95
T*9(C,V)*C20	FC/MC/PC43C	1.02	1.02	0.97
T*9(C,V)*C20	FC/MC/PC48C	1.03	1.07	0.98
T*9(C,V)*C20	UC48C	1.00	1.03	1.00
T*9(C,V)*D20	FC/MC/PC48D	1.03	1.06	0.94
T*9(C,V)*D20	UC48D	0.99	1.01	0.95
TM8X060A12MP11	FC/MC/PC37A	0.99	0.98	0.95
TM8X080B12MP11	FC/MC/PC43B	0.99	0.98	0.95
TM8X080C16MP11	FC/MC/PC43C	1.00	1.00	0.92
TM8X080C16MP11	FC/MC/PC48C	1.01	1.01	0.92
TM8X080C16MP11	FC/MC/PC48D	1.01	1.01	0.90

Continued on next page.

Furnaces	Coils	T.C.	S.C.	KW
TM8X080C16MP11	UC48C	1.01	1.01	0.92
TM8X080C16MP11	UC48D	1.01	1.01	0.90
TM8X100C16MP11	FC/MC/PC43C	1.00	1.00	0.92
TM8X100C16MP11	FC/MC/PC48C	1.01	1.01	0.92
TM8X100C16MP11	FC/MC/PC48D	1.01	1.01	0.90
TM8X100C16MP11	UC48C	1.01	1.01	0.92
TM8X100C16MP11	UC48D	1.01	1.01	0.90
TM8X100C20MP11	FC/MC/PC43C	1.01	1.03	0.93
TM8X100C20MP11	FC/MC/PC48C	1.02	1.04	0.92
TM8X100C20MP11	FC/MC/PC48D	1.02	1.04	0.92
TM8X100C20MP11	UC48C	1.01	1.01	0.92
TM8X100C20MP11	UC48D	1.01	1.01	0.92
TM8X120C20MP11	FC/MC/PC43C	1.01	1.03	0.93
TM8X120C20MP11	FC/MC/PC48C	1.02	1.04	0.92
TM8X120C20MP11	FC/MC/PC48D	1.02	1.04	0.92
TM8X120C20MP11	UC48C	1.01	1.01	0.92
TM8X120C20MP11	UC48D	1.01	1.01	0.92
TM9E060B12MP11	FC/MC/PC43B	0.99	0.98	0.95
TM9E080B12MP11	FC/MC/PC43B	0.99	0.98	0.95
TM9E080C16MP11	FC/MC/PC43C	1.00	0.99	0.94
TM9E080C16MP11	FC/MC/PC48C	1.01	1.00	0.92
TM9E080C16MP11	FC/MC/PC48D	1.00	1.00	0.92
TM9E080C16MP11	UC48C	1.00	1.01	0.92
TM9E080C16MP11	UC48D	1.00	1.01	0.92
TM9E100C16MP11	FC/MC/PC43C	1.00	0.99	0.94
TM9E100C16MP11	FC/MC/PC48C	1.01	1.00	0.92
TM9E100C16MP11	FC/MC/PC48D	1.00	1.00	0.92
TM9E100C16MP11	UC48C	1.00	1.01	0.92
TM9E100C16MP11	UC48D	1.00	1.01	0.92
TM9E100C20MP11	FC/MC/PC43C	1.00	0.99	0.92
TM9E100C20MP11	FC/MC/PC48C	1.01	1.00	0.92
TM9E100C20MP11	FC/MC/PC48D	1.01	1.01	0.92
TM9E100C20MP11	UC48C	1.01	1.01	0.92
TM9E100C20MP11	UC48D	1.01	1.01	0.92
TM9E120D20MP11	FC/MC/PC48D	1.01	1.01	0.92
TM9E120D20MP11	UC48D	1.01	1.01	0.92
TM9X060B12MP11	FC/MC/PC43B	0.99	0.98	0.95
TM9X080B12MP11	FC/MC/PC43B	0.99	0.98	0.95
TM9X080C16MP11	FC/MC/PC43C	1.00	0.99	0.94
TM9X080C16MP11	FC/MC/PC48C	1.01	1.00	0.92
TM9X080C16MP11	FC/MC/PC48D	1.00	1.00	0.92
TM9X080C16MP11	UC48C	1.00	1.01	0.92
TM9X080C16MP11	UC48D	1.00	1.01	0.92
TM9X100C16MP11	FC/MC/PC43C	1.00	0.99	0.94
TM9X100C16MP11	FC/MC/PC48C	1.01	1.00	0.92
TM9X100C16MP11	FC/MC/PC48D	1.00	1.00	0.92
TM9X100C16MP11	UC48C	1.00	1.01	0.92
TM9X100C16MP11	UC48D	1.00	1.01	0.92
TM9X100C20MP11	FC/MC/PC43C	1.00	0.99	0.92
TM9X100C20MP11	FC/MC/PC48C	1.01	1.00	0.92

Furnaces	Coils	T.C.	S.C.	KW
TM9X100C20MP11	FC/MC/PC48D	1.01	1.01	0.92
TM9X100C20MP11	UC48C	1.01	1.01	0.92
TM9X100C20MP11	UC48D	1.01	1.01	0.92
TM9X120D20MP11	FC/MC/PC48D	1.01	1.01	0.92
TM9X120D20MP11	UC48D	1.01	1.01	0.92
TMLX060A12MP11	FC/MC/PC37A	0.99	0.98	0.95
TMLX080B12MP11	FC/MC/PC43B	0.99	0.98	0.95
TMLX080C16MP11	FC/MC/PC43C	1.00	1.00	0.92
TMLX080C16MP11	FC/MC/PC48C	1.01	1.01	0.92
TMLX080C16MP11	FC/MC/PC48D	1.01	1.01	0.90
TMLX080C16MP11	UC48C	1.01	1.01	0.92
TMLX080C16MP11	UC48D	1.01	1.01	0.90
TMLX100C16MP11	FC/MC/PC43C	1.00	1.00	0.92
TMLX100C16MP11	FC/MC/PC48C	1.01	1.01	0.92
TMLX100C16MP11	FC/MC/PC48D	1.01	1.01	0.90
TMLX100C16MP11	UC48C	1.01	1.01	0.92
TMLX100C16MP11	UC48D	1.01	1.01	0.90
TMLX100C20MP11	FC/MC/PC43C	1.01	1.03	0.93
TMLX100C20MP11	FC/MC/PC48C	1.02	1.04	0.92
TMLX100C20MP11	FC/MC/PC48D	1.02	1.04	0.92
TMLX100C20MP11	UC48C	1.01	1.01	0.92
TMLX100C20MP11	UC48D	1.01	1.01	0.92
TMLX120C20MP11	FC/MC/PC43C	1.01	1.03	0.93
TMLX120C20MP11	FC/MC/PC48C	1.02	1.04	0.92
TMLX120C20MP11	FC/MC/PC48D	1.02	1.04	0.92
TMLX120C20MP11	UC48C	1.01	1.01	0.92
TMLX120C20MP11	UC48D	1.01	1.01	0.92
C*(8,L)*A12	FC/MC/PC37A	0.97	0.93	0.97
C*(8,L)*B12	FC/MC/PC43B	1.01	1.02	1.01
C*(8,L)*C16	FC/MC/PC43C	1.02	1.02	0.97
C*(8,L)*C16	FC/MC/PC48C	1.03	1.05	0.94
C*(8,L)*C16	UC48C	0.99	1.00	0.95
C*(8,L)*C20	FC/MC/PC43C	1.02	1.02	0.93
C*(8,L)*C20	FC/MC/PC48C	1.03	1.05	0.94
C*(8,L)*C20	UC48C	0.99	1.00	0.95
C*9C*B12	FC/MC/PC43B	1.01	1.02	1.01
C*9C*C16	FC/MC/PC43C	1.01	1.02	0.97
C*9C*C16	FC/MC/PC48C	1.03	1.05	0.98
C*9C*C16	UC48C	0.99	1.00	0.95
C*9C*C20	FC/MC/PC43C	1.02	1.02	0.97
C*9C*C20	FC/MC/PC48C	1.03	1.07	0.98
C*9C*C20	UC48C	1.00	1.03	1.00
C*9C*D20	FC/MC/PC48D	1.03	1.06	0.94
C*9C*D20	UC48D	0.99	1.01	0.95

COOLING PERFORMANCE DATA																
AIR CONDITIONER MODEL NO.		TCJD42S41S4(H)(E)														
INDOOR COIL MODEL NO.		FC/MC/PC43														
AIR TEMP. ENTERING OUTDOOR UNIT (°F)	ID CFM	1200					1400					1600				
	ID DB (°F)	80	80	75	80	80	80	80	75	80	80	80	80	75	80	80
	ID WB (°F)	57	62	62	67	72	57	62	62	67	72	57	62	62	67	72
65	T.C.	41.8	43.9	43.7	47.2	49.9	43.3	45.0	44.7	47.9	50.9	44.7	46.0	45.7	48.5	51.9
	S.C.	41.6	36.4	30.9	29.8	23.8	43.0	38.5	32.5	31.0	24.2	44.3	40.7	34.0	32.2	24.5
	KW	2.79	2.81	2.82	2.82	2.85	2.80	2.82	2.82	2.83	2.85	2.80	2.83	2.82	2.84	2.86
75	T.C.	39.8	41.2	41.3	45.1	48.2	41.4	42.3	42.2	45.7	49.0	42.9	43.3	43.2	46.4	49.8
	S.C.	39.5	35.2	29.8	29.1	23.1	41.0	37.4	31.6	30.6	23.8	42.5	39.7	33.5	32.1	24.5
	KW	3.08	3.10	3.10	3.13	3.17	3.10	3.11	3.11	3.14	3.18	3.12	3.13	3.12	3.15	3.19
85	T.C.	37.8	38.6	38.8	43.0	46.5	39.4	39.6	39.7	43.6	47.1	41.0	40.6	40.7	44.3	47.7
	S.C.	37.5	34.1	28.7	28.4	22.4	39.1	36.4	30.8	30.2	23.4	40.7	38.7	32.9	32.0	24.5
	KW	3.38	3.39	3.39	3.44	3.50	3.41	3.41	3.41	3.46	3.51	3.43	3.42	3.42	3.47	3.52
95	T.C.	35.8	35.9	36.3	40.9	44.8	37.5	36.9	37.3	41.5	45.2	39.2	37.9	38.2	42.1	45.6
	S.C.	35.4	33.0	27.6	27.7	21.7	37.1	35.3	30.0	29.8	23.0	38.8	37.6	32.3	31.9	24.4
	KW	3.67	3.68	3.68	3.76	3.82	3.71	3.70	3.70	3.77	3.83	3.75	3.72	3.72	3.79	3.84
105	T.C.	33.1	33.1	32.6	37.0	41.6	34.7	34.2	33.5	37.6	42.0	36.3	35.4	34.4	38.2	42.4
	S.C.	32.7	31.0	26.3	26.4	20.7	34.3	33.1	28.4	28.6	22.1	35.9	35.2	30.5	30.8	23.5
	KW	3.98	3.98	3.96	4.05	4.14	4.02	4.01	3.98	4.07	4.16	4.06	4.05	4.01	4.09	4.18
115	T.C.	30.5	30.2	28.9	33.3	38.4	32.0	31.6	29.8	33.8	38.8	33.4	33.0	30.8	34.4	39.3
	S.C.	30.2	29.1	25.0	25.1	19.8	31.6	30.9	26.8	27.4	21.3	33.1	32.7	28.7	29.6	22.7
	KW	4.27	4.27	4.22	4.33	4.45	4.32	4.31	4.26	4.36	4.48	4.37	4.36	4.29	4.39	4.51
125	T.C.	27.9	27.4	25.2	29.5	35.2	29.2	29.0	26.2	30.0	35.7	30.6	30.5	27.1	30.5	36.2
	S.C.	27.6	27.3	23.7	23.8	18.9	28.9	28.8	25.3	26.2	20.4	30.3	30.3	26.9	28.5	21.8
	KW	4.57	4.56	4.49	4.62	4.77	4.62	4.62	4.53	4.65	4.80	4.67	4.67	4.57	4.68	4.84

NOTE: ALL CAPACITIES INCLUDE INDOOR FAN HEAT. KW VALUES ARE FOR THE SYSTEM (OUTDOOR + INDOOR).

Multipliers for determining the performance with other indoor sections.

NOTE: For dry bulb temperatures different than those listed (between 73-87 °F), sensible capacity increases by 1060 BTUH per 1000 CFM per degree above the listed temperature and decreases by 1060 BTUH per 1000 CFM per degree below the listed temperature.

Air Handlers	Coils	T.C.	S.C.	KW
–	FC/MC/PC43	1.00	1.00	1.00
–	FC/MC/PC48	1.01	1.01	1.01
–	FC/MC/PC60	1.00	0.99	1.00
–	FC/MC62	1.01	1.02	1.01
–	FC64	1.01	1.03	0.99
–	UC48	1.01	1.01	1.01
AHE42D	–	1.01	1.03	0.93
AHE48D	–	1.01	1.02	0.93
AHE60D	–	1.01	1.04	0.93
AHR42C	–	1.01	1.03	1.01
AHR48D	–	0.99	0.97	0.99
AHR60D	–	1.01	1.01	1.01
AHV42D	–	1.01	1.01	0.95
AHV48D	–	1.00	0.98	0.92
AHV60D	–	1.01	1.01	0.93
MV16C	FC/MC43C	1.01	1.01	0.93
MV16C	FC/MC48C	1.01	1.02	0.95
MV16C	FC60C	1.01	1.01	0.97
MV20D	FC/MC48D	1.01	1.04	0.93
MV20D	FC/MC60D	1.01	1.01	0.95
MV20D	FC/MC62D	1.01	1.03	0.93
MV20D	FC64D	1.01	1.03	0.91
MX16CN21	FC/MC43C	1.00	1.01	0.94

Air Handlers	Coils	T.C.	S.C.	KW
MX16CN21	FC/MC48C	1.01	1.01	0.94
MX16CN21	FC60C	1.01	1.01	0.94
MX20DN21	FC/MC48D	1.02	1.02	0.94
MX20DN21	FC/MC60D	1.01	1.01	0.93
MX20DN21	FC/MC62D	1.02	1.04	0.92
MX20DN21	FC64D	1.06	1.07	0.93

Furnaces	Coils	T.C.	S.C.	KW
T*(8,L)V*B12	FC/MC/PC43B	0.99	0.97	0.97
T*(8,L)V*C16	FC/MC/PC43C	1.01	1.01	0.97
T*(8,L)V*C16	FC/MC/PC48C	1.01	1.00	0.97
T*(8,L)V*C16	FC/MC/PC48D	1.01	1.00	0.97
T*(8,L)V*C16	FC/MC/PC60D	1.01	1.01	0.97
T*(8,L)V*C16	FC/MC62D	1.01	1.03	0.97
T*(8,L)V*C16	FC/PC60C	1.01	1.01	0.97
T*(8,L)V*C16	FC64D	1.01	1.03	0.93
T*(8,L)V*C16	UC48C	1.01	1.01	0.97
T*(8,L)V*C16	UC60C	1.01	1.01	0.97
T*(8,L)V*C20	FC/MC/PC43C	1.01	1.03	0.99
T*(8,L)V*C20	FC/MC/PC48C	1.01	1.01	0.97
T*(8,L)V*C20	FC/MC/PC48D	1.01	1.01	0.97
T*(8,L)V*C20	FC/MC/PC60D	1.01	1.01	0.95

Continued on next page.

Furnaces	Coils	T.C.	S.C.	KW
T*(8,L)V*C20	FC/MC62D	1.01	1.03	0.95
T*(8,L)V*C20	FC/PC60C	1.01	1.01	0.95
T*(8,L)V*C20	FC64D	1.01	1.03	0.93
T*(8,L)V*C20	UC48C	1.01	1.01	0.95
T*(8,L)V*C20	UC60C	1.01	1.01	0.97
T*9(C,V)*C16	FC/MC/PC43C	1.01	1.01	0.99
T*9(C,V)*C16	FC/MC/PC48C	1.01	1.02	0.97
T*9(C,V)*C16	FC/MC/PC48D	1.01	1.02	0.97
T*9(C,V)*C16	FC/MC/PC60D	1.00	1.00	1.00
T*9(C,V)*C16	FC/MC62D	1.01	1.03	1.01
T*9(C,V)*C16	FC/PC60C	1.00	1.00	1.00
T*9(C,V)*C16	FC64D	1.01	1.03	0.97
T*9(C,V)*C16	UC48C	1.01	1.01	0.97
T*9(C,V)*C16	UC60C	1.00	0.99	1.00
T*9(C,V)*C20	FC/MC/PC43C	1.01	1.01	0.99
T*9(C,V)*C20	FC/MC/PC48C	1.01	1.02	0.99
T*9(C,V)*C20	FC/MC/PC48D	1.01	1.02	0.99
T*9(C,V)*C20	FC/MC/PC60D	1.01	1.00	0.99
T*9(C,V)*C20	FC/MC62D	1.01	1.03	0.99
T*9(C,V)*C20	FC/PC60C	1.01	1.00	0.99
T*9(C,V)*C20	FC64D	1.01	1.03	0.95
T*9(C,V)*C20	UC48C	1.01	1.01	0.99
T*9(C,V)*C20	UC60C	1.00	1.00	0.98
T*9(C,V)*D20	FC/MC/PC48D	1.01	1.01	0.97
T*9(C,V)*D20	FC/MC/PC60D	1.01	1.01	0.97
T*9(C,V)*D20	FC/MC62D	1.01	1.03	0.97
T*9(C,V)*D20	FC64D	1.01	1.03	0.95
T*9(C,V)*D20	UC48D	1.01	1.01	0.97
T*9(C,V)*D20	UC60D	1.00	1.00	0.98
TM8X080C16MP11	FC/MC/PC43C	0.99	0.98	0.93
TM8X080C16MP11	FC/MC/PC48C	1.00	0.99	0.94
TM8X080C16MP11	FC/MC/PC48D	1.01	1.01	0.94
TM8X080C16MP11	FC/MC/PC60D	1.01	1.00	0.94
TM8X080C16MP11	FC/MC62D	1.01	1.03	0.94
TM8X080C16MP11	FC/PC60C	1.01	1.00	0.95
TM8X080C16MP11	FC64D	1.05	1.07	0.95
TM8X080C16MP11	UC48C	0.98	0.97	0.93
TM8X080C16MP11	UC48D	0.98	0.97	0.95
TM8X080C16MP11	UC60C	0.99	0.98	0.93
TM8X080C16MP11	UC60D	0.99	0.98	0.97
TM8X100C16MP11	FC/MC/PC43C	0.99	0.98	0.93
TM8X100C16MP11	FC/MC/PC48C	1.00	0.99	0.94
TM8X100C16MP11	FC/MC/PC48D	1.01	1.01	0.94
TM8X100C16MP11	FC/MC/PC60D	1.01	1.00	0.94
TM8X100C16MP11	FC/MC62D	1.01	1.03	0.94
TM8X100C16MP11	FC/PC60C	1.01	1.00	0.95
TM8X100C16MP11	FC64D	1.05	1.07	0.95
TM8X100C16MP11	UC48C	0.98	0.97	0.93
TM8X100C16MP11	UC48D	0.98	0.97	0.95
TM8X100C16MP11	UC60C	0.99	0.98	0.93
TM8X100C16MP11	UC60D	0.99	0.98	0.97
TM8X100C20MP11	FC/MC/PC43C	0.99	0.98	0.93
TM8X100C20MP11	FC/MC/PC48C	1.01	1.01	0.94
TM8X100C20MP11	FC/MC/PC48D	1.01	1.01	0.94
TM8X100C20MP11	FC/MC/PC60D	1.01	1.01	0.94

Furnaces	Coils	T.C.	S.C.	KW
TM8X100C20MP11	FC/MC62D	1.01	1.03	0.93
TM8X100C20MP11	FC/PC60C	1.01	1.00	0.94
TM8X100C20MP11	FC64D	1.05	1.07	0.95
TM8X100C20MP11	UC48C	0.98	0.97	0.93
TM8X100C20MP11	UC48D	1.00	1.01	0.96
TM8X100C20MP11	UC60C	0.99	0.98	0.93
TM8X100C20MP11	UC60D	0.99	0.98	0.97
TM8X120C20MP11	FC/MC/PC43C	0.99	0.98	0.93
TM8X120C20MP11	FC/MC/PC48C	1.01	1.01	0.94
TM8X120C20MP11	FC/MC/PC48D	1.01	1.01	0.94
TM8X120C20MP11	FC/MC/PC60D	1.01	1.01	0.94
TM8X120C20MP11	FC/MC62D	1.01	1.03	0.93
TM8X120C20MP11	FC/PC60C	1.01	1.00	0.94
TM8X120C20MP11	FC64D	1.05	1.07	0.95
TM8X120C20MP11	UC48C	0.98	0.97	0.93
TM8X120C20MP11	UC48D	1.00	1.01	0.96
TM8X120C20MP11	UC60C	0.99	0.98	0.93
TM8X120C20MP11	UC60D	0.99	0.98	0.97
TM9E080C16MP11	FC/MC/PC48C	1.00	1.00	0.97
TM9E080C16MP11	FC/MC/PC48D	1.00	1.00	0.98
TM9E080C16MP11	FC/MC/PC60D	1.00	0.99	0.98
TM9E080C16MP11	FC/MC62D	1.00	1.02	0.97
TM9E080C16MP11	FC/PC60C	1.00	0.99	0.98
TM9E080C16MP11	FC64D	1.04	1.05	0.98
TM9E100C16MP11	FC/MC/PC48C	1.00	1.00	0.97
TM9E100C16MP11	FC/MC/PC48D	1.00	1.00	0.98
TM9E100C16MP11	FC/MC/PC60D	1.00	0.99	0.98
TM9E100C16MP11	FC/MC62D	1.00	1.02	0.97
TM9E100C16MP11	FC/PC60C	1.00	0.99	0.98
TM9E100C16MP11	FC64D	1.04	1.05	0.98
TM9E100C20MP11	FC/MC/PC43C	0.99	0.97	0.94
TM9E100C20MP11	FC/MC/PC48C	1.00	0.99	0.94
TM9E100C20MP11	FC/MC/PC48D	1.01	1.01	0.95
TM9E100C20MP11	FC/MC/PC60D	1.01	1.00	0.95
TM9E100C20MP11	FC/MC62D	1.01	1.03	0.95
TM9E100C20MP11	FC64D	1.05	1.07	0.95
TM9E100C20MP11	UC48C	0.98	0.97	0.94
TM9E100C20MP11	UC48D	0.98	0.97	0.95
TM9E100C20MP11	UC60D	0.99	0.98	0.97
TM9E120D20MP11	FC/MC/PC48D	1.00	0.99	0.94
TM9E120D20MP11	FC/MC/PC60D	1.00	0.98	0.94
TM9E120D20MP11	FC/MC62D	1.00	1.00	0.94
TM9E120D20MP11	FC64D	1.04	1.03	0.94
TM9E120D20MP11	UC48D	0.98	0.97	0.93
TM9E120D20MP11	UC60D	0.99	0.98	0.93
TM9X080C16MP11	FC/MC/PC48C	1.00	1.00	0.97
TM9X080C16MP11	FC/MC/PC48D	1.00	1.00	0.98
TM9X080C16MP11	FC/MC/PC60D	1.00	0.99	0.98
TM9X080C16MP11	FC/MC62D	1.00	1.02	0.97
TM9X080C16MP11	FC/PC60C	1.00	0.99	0.98
TM9X080C16MP11	FC64D	1.04	1.05	0.98
TM9X100C16MP11	FC/MC/PC48C	1.00	1.00	0.97
TM9X100C16MP11	FC/MC/PC48D	1.00	1.00	0.98
TM9X100C16MP11	FC/MC/PC60D	1.00	0.99	0.98

Continued on next page.

Furnaces	Coils	T.C.	S.C.	KW
TM9X100C16MP11	FC/MC62D	1.00	1.02	0.97
TM9X100C16MP11	FC/PC60C	1.00	0.99	0.98
TM9X100C16MP11	FC64D	1.04	1.05	0.98
TM9X100C20MP11	FC/MC/PC43C	0.99	0.97	0.94
TM9X100C20MP11	FC/MC/PC48C	1.00	0.99	0.94
TM9X100C20MP11	FC/MC/PC48D	1.01	1.01	0.95
TM9X100C20MP11	FC/MC/PC60D	1.01	1.00	0.95
TM9X100C20MP11	FC/MC62D	1.01	1.03	0.95
TM9X100C20MP11	FC64D	1.05	1.07	0.95
TM9X100C20MP11	UC48C	0.98	0.97	0.94
TM9X100C20MP11	UC48D	0.98	0.97	0.95
TM9X100C20MP11	UC60D	0.99	0.98	0.97
TM9X120D20MP11	FC/MC/PC48D	1.00	0.99	0.94
TM9X120D20MP11	FC/MC/PC60D	1.00	0.98	0.94
TM9X120D20MP11	FC/MC62D	1.00	1.00	0.94
TM9X120D20MP11	FC64D	1.04	1.03	0.94
TM9X120D20MP11	UC48D	0.98	0.97	0.93
TM9X120D20MP11	UC60D	0.99	0.98	0.93
TMLX080C16MP11	FC/MC/PC43C	0.99	0.98	0.93
TMLX080C16MP11	FC/MC/PC48C	1.00	0.99	0.94
TMLX080C16MP11	FC/MC/PC48D	1.01	1.01	0.94
TMLX080C16MP11	FC/MC/PC60D	1.01	1.00	0.94
TMLX080C16MP11	FC/MC62D	1.01	1.03	0.94
TMLX080C16MP11	FC/PC60C	1.01	1.00	0.95
TMLX080C16MP11	FC64D	1.05	1.07	0.95
TMLX080C16MP11	UC48C	0.98	0.97	0.93
TMLX080C16MP11	UC48D	0.98	0.97	0.95
TMLX080C16MP11	UC60C	0.99	0.98	0.93
TMLX080C16MP11	UC60D	0.99	0.98	0.97
TMLX100C16MP11	FC/MC/PC43C	0.99	0.98	0.93
TMLX100C16MP11	FC/MC/PC48C	1.00	0.99	0.94
TMLX100C16MP11	FC/MC/PC48D	1.01	1.01	0.94
TMLX100C16MP11	FC/MC/PC60D	1.01	1.00	0.94
TMLX100C16MP11	FC/MC62D	1.01	1.03	0.94
TMLX100C16MP11	FC/PC60C	1.01	1.00	0.95
TMLX100C16MP11	FC64D	1.05	1.07	0.95
TMLX100C16MP11	UC48C	0.98	0.97	0.93
TMLX100C16MP11	UC48D	0.98	0.97	0.95
TMLX100C16MP11	UC60C	0.99	0.98	0.93
TMLX100C16MP11	UC60D	0.99	0.98	0.97
TMLX100C20MP11	FC/MC/PC43C	0.99	0.98	0.93
TMLX100C20MP11	FC/MC/PC48C	1.01	1.01	0.94
TMLX100C20MP11	FC/MC/PC48D	1.01	1.01	0.94
TMLX100C20MP11	FC/MC/PC60D	1.01	1.01	0.94
TMLX100C20MP11	FC/MC62D	1.01	1.03	0.93
TMLX100C20MP11	FC/PC60C	1.01	1.00	0.94
TMLX100C20MP11	FC64D	1.05	1.07	0.95
TMLX100C20MP11	UC48C	0.98	0.97	0.93
TMLX100C20MP11	UC48D	1.00	1.01	0.96
TMLX100C20MP11	UC60C	0.99	0.98	0.93
TMLX100C20MP11	UC60D	0.99	0.98	0.97
TMLX120C20MP11	FC/MC/PC43C	0.99	0.98	0.93
TMLX120C20MP11	FC/MC/PC48C	1.01	1.01	0.94
TMLX120C20MP11	FC/MC/PC48D	1.01	1.01	0.94

Furnaces	Coils	T.C.	S.C.	KW
TMLX120C20MP11	FC/MC/PC60D	1.01	1.01	0.94
TMLX120C20MP11	FC/MC62D	1.01	1.03	0.93
TMLX120C20MP11	FC/PC60C	1.01	1.00	0.94
TMLX120C20MP11	FC64D	1.05	1.07	0.95
TMLX120C20MP11	UC48C	0.98	0.97	0.93
TMLX120C20MP11	UC48D	1.00	1.01	0.96
TMLX120C20MP11	UC60C	0.99	0.98	0.93
TMLX120C20MP11	UC60D	0.99	0.98	0.97
C*(8,L)C*B12	FC/MC/PC43B	0.99	0.97	0.97
C*(8,L)C*C16	FC/MC/PC43C	1.01	1.01	0.97
C*(8,L)C*C16	FC/MC/PC48C	1.01	1.00	0.97
C*(8,L)C*C16	FC/MC/PC48D	1.01	1.00	0.97
C*(8,L)C*C16	FC/MC/PC60D	1.01	1.01	0.97
C*(8,L)C*C16	FC/MC62D	1.01	1.03	0.97
C*(8,L)C*C16	FC/PC60C	1.01	1.01	0.97
C*(8,L)C*C16	FC64D	1.01	1.03	0.93
C*(8,L)C*C16	UC48C	1.01	1.01	0.97
C*(8,L)C*C16	UC60C	1.01	1.01	0.97
C*(8,L)C*C20	FC/MC/PC43C	1.01	1.03	0.99
C*(8,L)C*C20	FC/MC/PC48C	1.01	1.01	0.97
C*(8,L)C*C20	FC/MC/PC48D	1.01	1.01	0.97
C*(8,L)C*C20	FC/MC/PC60D	1.01	1.01	0.95
C*(8,L)C*C20	FC/MC62D	1.01	1.03	0.95
C*(8,L)C*C20	FC/PC60C	1.01	1.01	0.95
C*(8,L)C*C20	FC64D	1.01	1.03	0.93
C*(8,L)C*C20	UC48C	1.01	1.01	0.95
C*(8,L)C*C20	UC60C	1.01	1.01	0.97
C*9C*C16	FC/MC/PC43C	1.01	1.01	0.99
C*9C*C16	FC/MC/PC48C	1.01	1.02	0.97
C*9C*C16	FC/MC/PC48D	1.01	1.02	0.97
C*9C*C16	FC/MC/PC60D	1.00	1.00	1.00
C*9C*C16	FC/MC62D	1.01	1.03	1.01
C*9C*C16	FC/PC60C	1.00	1.00	1.00
C*9C*C16	FC64D	1.01	1.03	0.97
C*9C*C16	UC48C	1.01	1.01	0.97
C*9C*C16	UC60C	1.00	0.99	1.00
C*9C*C20	FC/MC/PC43C	1.01	1.01	0.99
C*9C*C20	FC/MC/PC48C	1.01	1.02	0.99
C*9C*C20	FC/MC/PC48D	1.01	1.02	0.99
C*9C*C20	FC/MC/PC60D	1.01	1.00	0.99
C*9C*C20	FC/MC62D	1.01	1.03	0.99
C*9C*C20	FC/PC60C	1.01	1.00	0.99
C*9C*C20	FC64D	1.01	1.03	0.95
C*9C*C20	UC48C	1.01	1.01	0.99
C*9C*C20	UC60C	1.00	1.00	0.98
C*9C*D20	FC/MC/PC48D	1.01	1.01	0.97
C*9C*D20	FC/MC/PC60D	1.01	1.01	0.97
C*9C*D20	FC/MC62D	1.01	1.03	0.97
C*9C*D20	FC64D	1.01	1.03	0.95
C*9C*D20	UC48D	1.01	1.01	0.97
C*9C*D20	UC60D	1.00	1.00	0.98

COOLING PERFORMANCE DATA																
AIR CONDITIONER MODEL NO.		TCJD48S41S3(H)(E)														
INDOOR COIL MODEL NO.		FC/MC/PC48														
AIR TEMP. ENTERING OUTDOOR UNIT (°F)	ID CFM	1400					1600					1800				
	ID DB (°F)	80	80	75	80	80	80	80	75	80	80	80	80	75	80	80
	ID WB (°F)	57	62	62	67	72	57	62	62	67	72	57	62	62	67	72
65	T.C.	49.7	51.4	50.5	55.8	54.6	52.0	53.1	51.9	56.3	55.4	54.4	54.7	53.2	56.9	56.3
	S.C.	46.9	42.8	35.7	35.7	25.9	48.8	45.6	37.9	37.1	27.3	50.8	48.3	40.1	38.5	28.8
	KW	3.36	3.41	3.42	3.45	3.50	3.38	3.42	3.43	3.46	3.52	3.41	3.43	3.45	3.47	3.53
75	T.C.	47.5	48.6	47.7	52.8	52.3	49.8	50.3	48.9	53.6	53.1	52.0	52.1	50.1	54.3	53.8
	S.C.	44.6	41.7	34.7	34.6	25.2	46.6	44.5	36.9	36.3	26.6	48.6	47.2	39.0	37.9	27.9
	KW	3.65	3.68	3.68	3.74	3.82	3.67	3.70	3.70	3.76	3.83	3.70	3.72	3.72	3.77	3.85
85	T.C.	45.4	45.8	44.8	49.9	50.1	47.5	47.6	46.0	50.8	50.7	49.7	49.4	47.1	51.7	51.3
	S.C.	42.3	40.6	33.7	33.5	24.6	44.4	43.4	35.8	35.4	25.8	46.4	46.1	37.9	37.3	27.0
	KW	3.93	3.95	3.95	4.04	4.14	3.97	3.98	3.97	4.06	4.15	4.00	4.01	3.99	4.08	4.17
95	T.C.	43.2	42.9	42.0	46.9	47.9	45.3	44.8	43.0	48.0	48.4	47.3	46.7	44.1	49.1	48.9
	S.C.	40.1	39.6	32.7	32.4	23.9	42.1	42.3	34.8	34.6	25.0	44.2	45.0	36.9	36.7	26.1
	KW	4.22	4.22	4.22	4.34	4.46	4.26	4.26	4.24	4.36	4.47	4.30	4.30	4.27	4.39	4.49
105	T.C.	39.8	39.3	37.3	42.4	43.5	41.6	41.1	38.4	43.4	44.0	43.4	42.8	39.5	44.3	44.5
	S.C.	36.8	36.7	30.7	30.7	22.7	38.6	39.0	32.7	32.8	23.7	40.5	41.2	34.7	34.9	24.8
	KW	4.52	4.52	4.49	4.62	4.77	4.57	4.57	4.52	4.65	4.79	4.61	4.61	4.55	4.67	4.81
115	T.C.	36.4	35.9	32.7	37.9	39.3	38.0	37.5	33.9	38.9	39.7	39.6	39.0	35.1	39.8	40.2
	S.C.	33.6	34.0	28.7	29.0	21.5	35.2	35.7	30.6	31.1	22.5	36.9	37.4	32.5	33.1	23.6
	KW	4.82	4.82	4.76	4.89	5.07	4.87	4.86	4.79	4.92	5.10	4.92	4.91	4.82	4.95	5.13
125	T.C.	33.1	32.4	28.1	33.5	35.0	34.5	33.8	29.4	34.4	35.5	35.9	35.3	30.6	35.2	35.9
	S.C.	30.4	31.2	26.7	27.3	20.3	31.9	32.5	28.5	29.3	21.3	33.3	33.7	30.4	31.3	22.3
	KW	5.11	5.11	5.02	5.17	5.38	5.17	5.16	5.06	5.20	5.41	5.22	5.21	5.09	5.23	5.44

NOTE: ALL CAPACITIES INCLUDE INDOOR FAN HEAT. KW VALUES ARE FOR THE SYSTEM (OUTDOOR + INDOOR).

Multipliers for determining the performance with other indoor sections.

NOTE: For dry bulb temperatures different than those listed (between 73-87 °F), sensible capacity increases by 1060 BTUH per 1000 CFM per degree above the listed temperature and decreases by 1060 BTUH per 1000 CFM per degree below the listed temperature.

Air Handlers	Coils	T.C.	S.C.	KW
–	FC/MC/PC48	1.00	1.00	1.00
–	FC/MC/PC60	1.00	1.00	1.00
–	UC48	1.00	1.00	1.00
–	UC60	1.00	1.00	1.00
AHE48D	–	0.98	1.01	0.94
AHR48D	–	1.00	1.01	1.00
AHV48D	–	0.99	0.99	0.95
AHV60D	–	1.00	1.02	0.92
MV16C	FC/MC48C	1.00	1.02	0.92
MV16C	FC60C	0.99	1.01	0.95
MV20D	FC/MC48D	1.00	1.02	0.92
MV20D	FC/MC60D	1.00	1.02	0.92
MX16CN21	FC/MC48C	1.01	1.02	0.95
MX16CN21	FC60C	1.01	1.01	0.95
MX20DN21	FC/MC48D	1.01	1.01	0.93
MX20DN21	FC/MC60D	1.02	1.02	0.92

Continued on next page.

Furnaces	Coils	T.C.	S.C.	KW
T*(8,L)V*C16	FC/MC/PC48C	1.00	1.02	1.00
T*(8,L)V*C16	FC/PC60C	1.00	1.02	1.00
T*(8,L)V*C20	FC/MC/PC48C	1.00	1.02	1.00
T*(8,L)V*C20	FC/PC60C	1.00	1.02	0.96
T*9(C,V)*C16	FC/MC/PC48C	1.00	1.01	1.00
T*9(C,V)*C16	FC/PC60C	1.00	1.02	1.00
T*9(C,V)*C20	FC/MC/PC48C	1.00	1.01	1.00
T*9(C,V)*C20	FC/PC60C	1.00	1.02	1.00
T*9(C,V)*D20	FC/MC/PC48D	1.00	1.02	1.00
T*9(C,V)*D20	FC/MC/PC60D	1.00	1.02	1.00
TM8X080C16MP11	FC/MC/PC48C	1.00	0.99	1.00
TM8X080C16MP11	FC/PC60C	1.00	1.00	1.00
TM8X100C16MP11	FC/MC/PC48C	1.00	0.99	1.00
TM8X100C16MP11	FC/PC60C	1.00	1.00	1.00
TM8X100C20MP11	FC/MC/PC48C	1.00	1.00	0.96
TM8X100C20MP11	FC/MC/PC60D	1.01	1.01	0.97
TM8X100C20MP11	FC/PC60C	1.01	1.01	0.97
TM8X120C20MP11	FC/MC/PC48C	1.00	1.00	0.96
TM8X120C20MP11	FC/MC/PC60D	1.01	1.01	0.97
TM8X120C20MP11	FC/PC60C	1.01	1.01	0.97
TM9E100C20MP11	FC/MC/PC48C	0.99	0.98	0.97
TM9E120D20MP11	FC/MC/PC48D	1.00	0.99	0.96
TM9E120D20MP11	FC/MC/PC60D	1.01	1.01	0.97

Furnaces	Coils	T.C.	S.C.	KW
TM9X100C20MP11	FC/MC/PC48C	0.99	0.98	0.97
TM9X120D20MP11	FC/MC/PC48D	1.00	0.99	0.96
TM9X120D20MP11	FC/MC/PC60D	1.01	1.01	0.97
TMLX080C16MP11	FC/MC/PC48C	1.00	0.99	1.00
TMLX080C16MP11	FC/PC60C	1.00	1.00	1.00
TMLX100C16MP11	FC/MC/PC48C	1.00	0.99	1.00
TMLX100C16MP11	FC/PC60C	1.00	1.00	1.00
TMLX100C20MP11	FC/MC/PC48C	1.00	1.00	0.96
TMLX100C20MP11	FC/MC/PC60D	1.01	1.01	0.97
TMLX100C20MP11	FC/PC60C	1.01	1.01	0.97
TMLX120C20MP11	FC/MC/PC48C	1.00	1.00	0.96
TMLX120C20MP11	FC/MC/PC60D	1.01	1.01	0.97
TMLX120C20MP11	FC/PC60C	1.01	1.01	0.97
C*(8,L)C*C16	FC/MC/PC48C	1.00	1.02	1.00
C*(8,L)C*C16	FC/PC60C	1.00	1.02	1.00
C*(8,L)C*C20	FC/MC/PC48C	1.00	1.02	1.00
C*(8,L)C*C20	FC/PC60C	1.00	1.02	0.96
C*9C*C16	FC/MC/PC48C	1.00	1.01	1.00
C*9C*C16	FC/PC60C	1.00	1.02	1.00
C*9C*C20	FC/MC/PC48C	1.00	1.01	1.00
C*9C*C20	FC/PC60C	1.00	1.02	1.00
C*9C*D20	FC/MC/PC48D	1.00	1.02	1.00
C*9C*D20	FC/MC/PC60D	1.00	1.02	1.00

COOLING PERFORMANCE DATA																
AIR CONDITIONER MODEL NO.		TCJD60S41S4(E)														
INDOOR COIL MODEL NO.		FC/MC/PC60														
AIR TEMP. ENTERING OUTDOOR UNIT (°F)	ID CFM	1600					1800					2000				
	ID DB (°F)	80	80	75	80	80	80	80	75	80	80	80	80	75	80	80
	ID WB (°F)	57	62	62	67	72	57	62	62	67	72	57	62	62	67	72
65	T.C.	55.5	61.1	59.4	62.4	64.9	57.7	62.9	60.1	63.8	66.9	59.9	64.7	60.8	65.3	68.8
	S.C.	54.5	49.8	40.0	39.7	28.6	56.4	52.4	42.4	41.2	30.8	58.3	54.9	44.9	42.7	32.9
	KW	3.68	3.73	3.74	3.76	3.80	3.77	3.81	3.81	3.85	3.88	3.86	3.90	3.89	3.94	3.95
75	T.C.	54.5	58.5	56.4	60.1	63.1	56.6	60.3	57.4	61.6	65.0	58.8	62.2	58.4	63.1	66.8
	S.C.	52.1	48.7	39.2	38.7	28.5	53.9	51.3	41.6	40.4	30.4	55.8	53.9	44.1	42.1	32.4
	KW	4.14	4.17	4.17	4.21	4.26	4.23	4.25	4.25	4.29	4.34	4.31	4.34	4.33	4.38	4.42
85	T.C.	53.4	55.9	53.3	57.7	61.4	55.5	57.8	54.7	59.3	63.1	57.7	59.7	56.0	60.8	64.8
	S.C.	49.7	47.6	38.3	37.7	28.4	51.5	50.2	40.8	39.6	30.1	53.2	52.8	43.2	41.5	31.8
	KW	4.59	4.61	4.60	4.66	4.71	4.68	4.69	4.69	4.74	4.80	4.77	4.77	4.77	4.82	4.89
95	T.C.	52.4	53.4	50.3	55.4	59.6	54.4	55.3	51.9	57.0	61.2	56.5	57.2	53.6	58.6	62.7
	S.C.	47.3	46.5	37.5	36.7	28.4	49.0	49.1	40.0	38.8	29.8	50.6	51.8	42.4	40.9	31.2
	KW	5.05	5.05	5.03	5.10	5.17	5.13	5.13	5.12	5.18	5.26	5.22	5.21	5.21	5.26	5.35
105	T.C.	49.4	50.0	46.7	51.7	55.4	51.7	52.0	48.3	53.3	57.2	54.0	53.9	50.0	54.9	58.9
	S.C.	44.6	44.4	36.2	35.2	26.9	46.3	46.6	38.6	37.4	28.4	48.0	48.9	41.0	39.5	29.8
	KW	5.64	5.63	5.61	5.70	5.78	5.73	5.72	5.70	5.78	5.87	5.83	5.81	5.80	5.86	5.97
115	T.C.	46.6	46.7	43.3	48.1	51.4	49.1	48.7	44.8	49.7	53.3	51.5	50.8	46.4	51.3	55.2
	S.C.	42.0	42.3	34.9	33.8	25.4	43.7	44.2	37.3	36.1	27.0	45.5	46.1	39.7	38.3	28.5
	KW	6.21	6.20	6.17	6.29	6.37	6.32	6.30	6.27	6.37	6.47	6.42	6.40	6.36	6.45	6.57
125	T.C.	43.7	43.5	39.8	44.5	47.3	46.4	45.5	41.3	46.1	49.4	49.1	47.6	42.9	47.7	51.5
	S.C.	39.3	40.3	33.7	32.5	24.0	41.1	41.8	36.0	34.7	25.6	43.0	43.2	38.3	37.0	27.2
	KW	6.79	6.77	6.73	6.87	6.96	6.90	6.88	6.83	6.95	7.06	7.01	6.98	6.93	7.03	7.16

NOTE: ALL CAPACITIES INCLUDE INDOOR FAN HEAT. KW VALUES ARE FOR THE SYSTEM (OUTDOOR + INDOOR).

Multipliers for determining the performance with other indoor sections.

NOTE: For dry bulb temperatures different than those listed (between 73-87 °F), sensible capacity increases by 1060 BTUH per 1000 CFM per degree above the listed temperature and decreases by 1060 BTUH per 1000 CFM per degree below the listed temperature.

Air Handlers	Coils	T.C.	S.C.	KW
-	FC/MC/PC60	1.00	1.00	1.00
-	FC/MC62	1.01	1.03	1.01
-	FC64	1.05	1.08	1.02
-	UC60	0.97	0.95	1.00
AHE60D	-	1.03	1.05	0.98
AHR60D	-	1.00	1.00	1.00
AHV60D	-	1.00	1.00	0.96
MV20D	FC/MC60D	1.01	1.01	0.99
MV20D	FC/MC62D	1.02	1.04	1.00
MV20D	FC64D	1.05	1.08	1.00
MX20DN21	FC/MC60D	1.00	0.99	0.96
MX20DN21	FC/MC62D	1.02	1.03	0.95
MX20DN21	FC64D	1.05	1.07	0.95

Furnaces	Coils	T.C.	S.C.	KW
T*(8,L)C*C20	FC/MC/PC60D	0.98	0.96	0.96
T*(8,L)C*C20	FC/MC62D	1.00	1.00	0.98
T*(8,L)C*C20	FC64D	1.04	1.04	0.97
T*(8,L)C*C20	UC60C	0.98	0.96	0.96
T*(8,L)V*C20	FC/MC/PC60D	0.98	0.96	0.96
T*(8,L)V*C20	FC/MC62D	1.00	1.00	0.98
T*(8,L)V*C20	FC64D	1.04	1.04	0.97
T*(8,L)V*C20	UC60C	0.98	0.96	0.96
T*9(C,V)*C20	FC/MC62D	1.00	1.00	1.00

Furnaces	Coils	T.C.	S.C.	KW
T*9(C,V)*C20	FC64D	1.04	1.04	1.01
T*9(C,V)*D20	FC/MC62D	1.00	1.00	1.00
T*9(C,V)*D20	FC64D	1.04	1.04	0.99
TM8X080C16MP11	FC64D	1.02	1.00	1.00
TM8X100C16MP11	FC64D	1.02	1.00	1.00
TM8X100C20MP11	FC64D	1.03	1.02	0.98
TM8X120C20MP11	FC64D	1.03	1.02	0.98
TM9E100C20MP11	FC64D	1.02	1.00	1.00
TM9E120D20MP11	FC64D	1.02	1.00	1.00
TM9X100C20MP11	FC64D	1.02	1.00	1.00
TM9X120D20MP11	FC64D	1.02	1.00	1.00
TMLX080C16MP11	FC64D	1.02	1.00	1.00
TMLX100C16MP11	FC64D	1.02	1.00	1.00
TMLX100C20MP11	FC64D	1.03	1.02	0.98
TMLX120C20MP11	FC64D	1.03	1.02	0.98
C*(8,L)C*C20	FC/MC/PC60D	0.98	0.96	0.96
C*(8,L)C*C20	FC/MC62D	1.00	1.00	0.98
C*(8,L)C*C20	FC64D	1.04	1.04	0.97
C*(8,L)C*C20	UC60C	0.98	0.96	0.96
C*9C*C20	FC/MC62D	1.00	1.00	1.00
C*9C*C20	FC64D	1.04	1.04	1.01
C*9C*D20	FC/MC62D	1.00	1.00	1.00
C*9C*D20	FC64D	1.04	1.04	0.99

NOTES