



www.Source1Parts.com

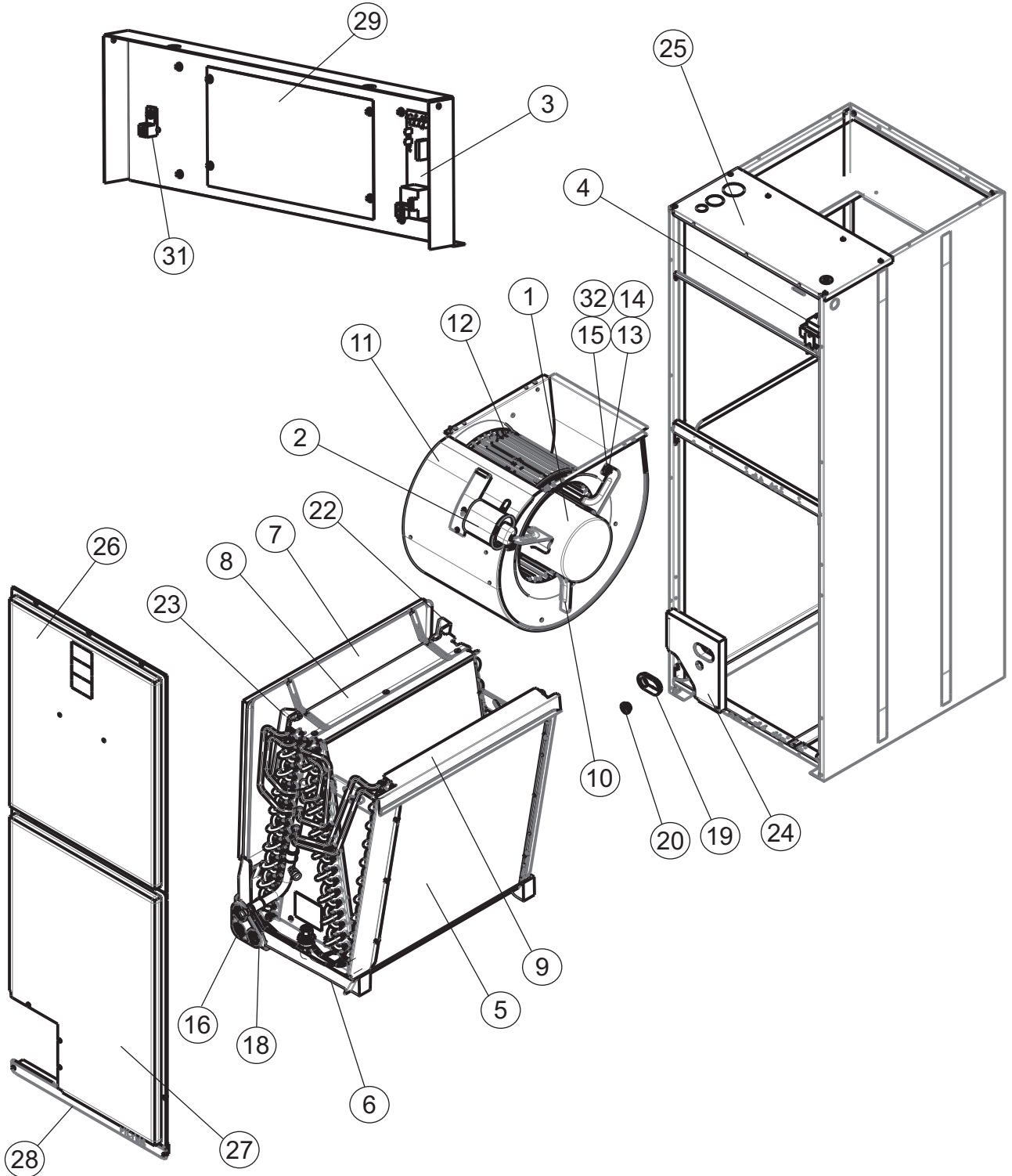
AP SERIES SINGLE PIECE AIR HANDLER PSC MOTOR, FLEX COIL MODELS (STYLE A)

HVAC SERVICE PARTS

Supersedes:035-24199-001 Rev. E (0216)

035-24199-001 Rev. F (0216)

1 of 4



ITEM	DESCRIPTION	AP18BX21A	AP24BX21A	AP30BX21A	AP36BX21A
1	Blower Motor, PSC	S1-02436261000	S1-02436031000	S1-02436302000	S1-02436258000
2	Capacitor, Run (10 MFD,370V)	S1-02420046700	S1-02420046700	---	---
	Capacitor, Run (15 MFD,370V)	---	---	S1-02425900000	---
	Capacitor, Run (20 MFD,440V)	---	---	---	S1-02436267000
3	Control Board, PSC	S1-03102986000	S1-03102986000	S1-03102986000	S1-03102986000
4	Transformer	S1-02518452700	S1-02518452700	S1-02518452700	S1-02518452700
5	Coil, Flex (w/Drain Pan)	S1-37339405006	S1-37339405008	S1-37339405018	S1-37339405018
6	Drain Pan, Vertical	S1-02817091000	S1-02817091000	S1-02817091000	S1-02817091000
7	Drain Pan, Horizontal	S1-37339404001	S1-37339404001	S1-37339404005	S1-37339404005
8	Baffle, Coil	S1-37339407003	S1-37339407003	S1-37339407002	S1-37339407002
9	Shield, Blow-Off	S1-07339408001	S1-07339408001	S1-07339408001	S1-07339408001
10	Motor Mount	S1-32631480000	S1-32631480000	S1-32631480000	S1-32631480000
11	Housing, Blower	S1-37327931001	S1-37327931001	S1-37327931001	S1-37327931001
12	Wheel, Blower	S1-02634005000	S1-02634005000	S1-02634005000	S1-02634005000
13	Sleeve, Isolator Steel (3 Req'd)	S1-02809412003	S1-02809412003	S1-02809412003	S1-02809412003
14	Tube, Isolator Rubber (3 Req'd)	S1-02809412001	S1-02809412001	S1-02809412001	S1-02809412001
15	Washer, Neoprene (3 Req'd)	S1-02809412002	S1-02809412002	S1-02809412002	S1-02809412002
16	Plug, Drain Pan (2 Req'd)	S1-02812480000	S1-02812480000	S1-02812480000	S1-02812480000
17*	Line, Liquid	S1-02322464000	S1-02322464000	S1-02322465000	S1-02322465000
18	Gasket, Drain Pan	S1-02817104000	S1-02817104000	S1-02817104000	S1-02817104000
19	Grommet, Oval	S1-02817078001	S1-02817077000	S1-02817077000	S1-02817077000
20	Grommet, 3/8"	S1-02813209000	S1-02813209000	S1-02813209000	S1-02813209000
21*	Gasket, Door	S1-02817061000	S1-02817061000	S1-02817061000	S1-02817061000
22	Channel, Condensate, Rear	S1-02817103000	S1-02817103000	S1-02817103000	S1-02817103000
23	Channel, Condensate, Front	S1-02817102000	S1-02817102000	S1-02817102000	S1-02817102000
24	Panel, Tubing Access	S1-37339403001	S1-37339403001	S1-37339403001	S1-37339403001
25	Top, Panel	S1-37339409001	S1-37339409001	S1-37339409001	S1-37339409001
26	Assy, Top Door	S1-37339410001	S1-37339410001	S1-37339410001	S1-37339410001
27	Assy, Bottom Door	S1-37339402004	S1-37339402004	S1-37339402006	S1-37339402006
28	Assy, Filter Door	S1-37339411001	S1-37339411001	S1-37339411001	S1-37339411001
29	Cover, Heat	S1-07339412001	S1-07339412001	S1-07339412001	S1-07339412001
30*	Harness, Wiring	S1-02544094000	S1-02544094000	S1-02544094000	S1-02544094000
31	Lug, Ground	S1-02521798000	S1-02521798000	S1-02521798000	S1-02521798000
32	Screws, Slotted (3 Req'd)	S1-02117174000	S1-02117174000	S1-02117174000	S1-02117174000
33*	Cap, Knurled	S1-02310745000	S1-02310745000	S1-02310745000	S1-02310745000
34*	Valve, Schraeder	S1-02202475700	S1-02202475700	S1-02202475700	S1-02202475700
35*	Wiring Diagram	1199995	1199995	1199995	1199995
36*	Washer, Rubber (O-Ring)	S1-02131419000	S1-02131419000	S1-02131419000	S1-02131419000

<

NOTE: *Not ShownNew replacement parts shown in **bold** face type at the first printing of parts list dated 2/16.

Major components and suggested stocking items are shown with shaded item number.

"-" Across from row indicates a change in that row. Changed part numbers are in red.

--- Not applicable to specified model.

ITEM	DESCRIPTION	AP36CX21A	AP37CX21A	AP42CX21A	AP48CX21A
1	Blower Motor, PSC	S1-02436265000	S1-02436265000	S1-02436264000	S1-02436263000
2	Capacitor, Run (15 MFD,370V)	S1-02425900000	S1-02425900000	S1-02425900000	S1-02425900000
3	Control Board, PSC	S1-03102986000	S1-03102986000	S1-03102986000	S1-03102986000
4	Transformer	S1-02518452700	S1-02518452700	S1-02518452700	S1-02518452700
5	Coil, Flex (w/Drain Pan)	S1-37339405022	S1-37339405024	S1-37339405022	S1-37339405024
6	Drain Pan, Vertical	S1-02817092000	S1-02817092000	S1-02817092000	S1-02817092000
7	Drain Pan, Horizontal	S1-37339404008	S1-37339404009	S1-37339404008	S1-37339404009
8	Baffle, Coil	S1-37339407003	S1-37339407002	S1-37339407003	S1-37339407002
9	Shield, Blow-Off	S1-07339408001	S1-07339408001	S1-07339408001	S1-07339408001
10	Motor Mount	S1-32631480000	S1-32631480000	S1-32631480000	S1-32631480000
11	Housing, Blower	S1-37327931002	S1-37327931002	S1-37327931002	S1-37327931002
12	Wheel, Blower	S1-02635471000	S1-02635471000	S1-02635471000	S1-02635471000
13	Sleeve, Isolator Steel (3 Req'd)	S1-02809412003	S1-02809412003	S1-02809412003	S1-02809412003
14	Tube, Isolator Rubber (3 Req'd)	S1-02809412001	S1-02809412001	S1-02809412001	S1-02809412001
15	Washer, Neoprene (3 Req'd)	S1-02809412002	S1-02809412002	S1-02809412002	S1-02809412002
16	Plug, Drain Pan (2 Req'd)	S1-02812480000	S1-02812480000	S1-02812480000	S1-02812480000
17*	Line, Liquid	S1-02322470000	S1-02322470000	S1-02322470000	S1-02322470000
18	Gasket, Drain Pan	S1-02817104000	S1-02817104000	S1-02817104000	S1-02817104000
19	Grommet, Oval	S1-02817077000	S1-02817077000	S1-02817077000	S1-02817077000
20	Grommet, 3/8"	S1-02813209000	S1-02813209000	S1-02813209000	S1-02813209000
21*	Gasket, Door	S1-02817061000	S1-02817061000	S1-02817061000	S1-02817061000
22	Channel, Condensate, Rear	S1-02817103000	S1-02817103000	S1-02817103000	S1-02817103000
23	Channel, Condensate, Front	S1-02817102000	S1-02817102000	S1-02817102000	S1-02817102000
24	Panel, Tubing Access	S1-37339403001	S1-37339403001	S1-37339403001	S1-37339403001
25	Top, Panel	S1-37339409002	S1-37339409002	S1-37339409002	S1-37339409002
26	Assy, Top Door	S1-37339410002	S1-37339410002	S1-37339410002	S1-37339410002
27	Assy, Bottom Door	S1-37339402012	S1-37339402012	S1-37339402012	S1-37339402012
28	Assy, Filter Door	S1-37339411002	S1-37339411002	S1-37339411002	S1-37339411002
29	Cover, Heat	S1-07339412001	S1-07339412001	S1-07339412001	S1-07339412001
30*	Harness, Wiring	S1-02544094000	S1-02544094000	S1-02544094000	S1-02544094000
31	Lug, Ground	S1-02521798000	S1-02521798000	S1-02521798000	S1-02521798000
32	Screws, Slotted (3 Req'd)	S1-02117174000	S1-02117174000	S1-02117174000	S1-02117174000
33*	Cap, Knurled	S1-02310745000	S1-02310745000	S1-02310745000	S1-02310745000
34*	Valve, Schraeder	S1-02202475700	S1-02202475700	S1-02202475700	S1-02202475700
35*	Wiring Diagram	1199995	1199995	1199995	1199995
36*	Washer, Rubber (O-Ring)	S1-02131419000	S1-02131419000	S1-02131419000	S1-02131419000

NOTE: *Not ShownNew replacement parts shown in **bold** face type at the first printing of parts list dated 2/16.

Major components and suggested stocking items are shown with shaded item number.

"←" Across from row indicates a change in that row. Changed part numbers are in red.

--- Not applicable to specified model.

ITEM	DESCRIPTION	AP48DX21A	AP60CX21A	AP60DX21A	
1	Blower Motor, PSC	S1-02436263000	S1-02436260000	S1-02436260000	
2	Capacitor, Run (20 MFD,440V)	S1-02425900000	S1-02436267000	S1-02436267000	
3	Control Board, PSC	S1-03102986000	S1-03102986000	S1-03102986000	
4	Transformer	S1-02518452700	S1-02518452700	S1-02518452700	
5	Coil, Flex (w/Drain Pan)	S1-37339405025	S1-37339405001	S1-37339405002	
6	Drain Pan, Vertical	S1-02817093000	S1-02817092000	S1-02817093000	
7	Drain Pan, Horizontal	S1-37339404009	S1-37339404010	S1-37339404010	
8	Baffle, Coil	S1-37339407003	S1-37339407002	S1-37339407002	
9	Shield, Blow-Off	S1-07339408001	S1-07339408001	S1-07339408001	
10	Motor Mount	S1-32631480000	S1-32631480000	S1-32631480000	
11	Housing, Blower	S1-37327931002	S1-37327931002	S1-37327931002	
12	Wheel, Blower	S1-02635471000	S1-02635471000	S1-02635471000	
13	Sleeve, Isolator Steel (3 Req'd)	S1-02809412003	S1-02809412003	S1-02809412003	
14	Tube, Isolator Rubber (3 Req'd)	S1-02809412001	S1-02809412001	S1-02809412001	
15	Washer, Neoprene (3 Req'd)	S1-02809412002	S1-02809412002	S1-02809412002	
16	Plug, Drain Pan (2 Req'd)	S1-02812480000	S1-02812480000	S1-02812480000	
17*	Line, Liquid	S1-02322463000	S1-02322470000	S1-02322463000	
18	Gasket, Drain Pan	S1-02817104000	S1-02817104000	S1-02817104000	
19	Grommet, Oval	S1-02817077000	S1-02817077000	S1-02817077000	
20	Grommet, 3/8"	S1-02813209000	S1-02813209000	S1-02813209000	
21*	Gasket, Door	S1-02817061000	S1-02817061000	S1-02817061000	
22	Channel, Condensate, Rear	S1-02817103000	S1-02817103000	S1-02817103000	
23	Channel, Condensate, Front	S1-02817102000	S1-02817102000	S1-02817102000	
24	Panel, Tubing Access	S1-37339403001	S1-37339403001	S1-37339403001	
25	Top, Panel	S1-37339409003	S1-37339409002	S1-37339409003	
26	Assy, Top Door	S1-37339410003	S1-37339410002	S1-37339410003	
27	Assy, Bottom Door	S1-37339402015	S1-37339402011	S1-37339402015	
28	Assy, Filter Door	S1-37339411003	S1-37339411002	S1-37339411003	
29	Cover, Heat	S1-07339412001	S1-07339412001	S1-07339412001	
30*	Harness, Wiring	S1-02544094000	S1-02544094000	S1-02544094000	
31	Lug, Ground	S1-02521798000	S1-02521798000	S1-02521798000	
32	Screws, Slotted (3 Req'd)	S1-02117174000	S1-02117174000	S1-02117174000	
33*	Cap, Knurled	S1-02310745000	S1-02310745000	S1-02310745000	
34*	Valve, Schraeder	S1-02202475700	S1-02202475700	S1-02202475700	
35*	Wiring Diagram	1199995	1199995	1199995	
36*	Washer, Rubber (O-Ring)	S1-02131419000	S1-02131419000	S1-02131419000	

NOTE: *Not ShownNew replacement parts shown in **bold** face type at the first printing of parts list dated 2/16.

Major components and suggested stocking items are shown with shaded item number.

"←" Across from row indicates a change in that row. Changed part numbers are in red.

--- Not applicable to specified model.

TO ORDER AUTHORIZED FACTORY REPLACEMENT PARTS - Contact your Source1 HVAC Parts Distributor or visit our website at www.Source1Parts.com for a Distributor and Dealer listing.