



## Features

- » Durable polyethylene construction
- » Two-piece design with easy lift-off access
- » ASSE approval for all three classifications
- » Built-in double-locking hasp design
- » Metal insert vents included standard
- » Mount to concrete or base grade

## For Outdoor Installations

Our Dekorrra enclosures are designed primarily for the backflow market and fit 3/4" - 2" backflow assemblies and pressure vacuum breakers. Available in three configurations; **1)** Dekorrra enclosure and base only with hardware **2)** Dekorrra back-flow enclosure and base, with approved R-13 insulated blanket, or **3)** Dekorrra enclosure and base with insulated blanket and self-regulating heat source.

Job Name \_\_\_\_\_

Contractor \_\_\_\_\_

Job Location \_\_\_\_\_

Approval \_\_\_\_\_

Engineer \_\_\_\_\_

Contractor's PO Number \_\_\_\_\_

Approval \_\_\_\_\_

Representative \_\_\_\_\_

Model \_\_\_\_\_

Options \_\_\_\_\_

## Specifications

Dekorrra Backflow Enclosures incorporate features to provide for positive drainage, security, and accessibility for monitoring, testing, repairing and replacing components. The enclosure provides freeze protection, freeze retardant or non-freeze protection of the components inside.

### ASSE Classes

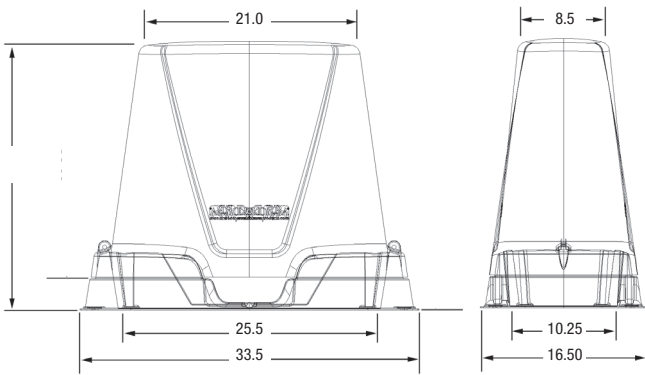
**CLASS I (C1)** - Freeze protection. Dekorrra Enclosures Class I and I-V shall have a minimum thermal resistance value of eight and a positive means of heat. Dekorrra Backflow enclosures have been designed and constructed to maintain a minimum internal temperature of 40°F.

**CLASS II (C2)** - Freeze retardant. Dekorrra Enclosures Class II and II-V shall have a minimum thermal resistance value of eight. Dekorrra Backflow enclosures have been designed and constructed to be installed in minimum external temperatures of 33°F.

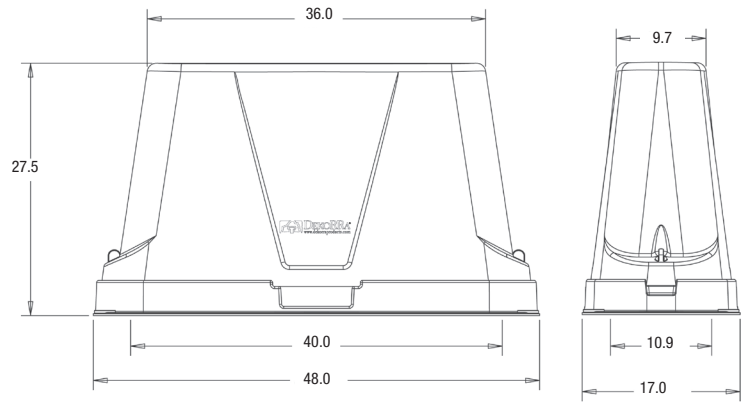
**CLASS III (C3)** - Non-freeze protection. Dekorrra Enclosures Class III and III-V are designed and constructed to provide system security for components when freezing temperatures are not a consideration.

# Model 301

# Model 302



Recommended Concrete Pad: 38" x 21"



Recommended Concrete Pad: 52" x 21"

### ASSE CLASSIFICATIONS:

- CLASS III & III-V (C3) (non-insulated)
- CLASS II & II-V (C2) (insulated)
- CLASS I & I-V (C1) (insulated & heated)



## Model 301

## Model 302



### Model 301 GT

### Model 301 BG

### Model 302 BG

### Model 302 GT

Model 301-GT-C3  
UPC 6 56803 33011 2

Model 301-BG-C3  
UPC 6 56803 33012 9

Model 302-BG-C3  
UPC 6 56803 33022 8

Model 302-GT-C3  
UPC 6 56803 33021 1

Model 301-GT-C2  
UPC 6 56803 23011 5

Model 301-BG-C2  
UPC 6 56803 23012 2

Model 302-BG-C2  
UPC 6 56803 23022 1

Model 302-GT-C2  
UPC 6 56803 23021 4

Model 301-GT-C1  
UPC 6 56803 13011 8

Model 301-BG-C1  
UPC 6 56803 13012 5

Model 302-BG-C1  
UPC 6 56803 13022 4

Model 302-GT-C1  
UPC 6 56803 13021 7

### Color Options

### Also Included



Brown Granite (BG)

Green Granite (GT)

Metal vents are included with each enclosure. Hardware is also included for anchoring to a concrete pad. Stakes included for situations where no concrete pad is available.



Website: [dekorraproducts.com](http://dekorraproducts.com)  
 Email: [info@dekorraproducts.com](mailto:info@dekorraproducts.com)  
 Toll-Free: 888.635.8585

