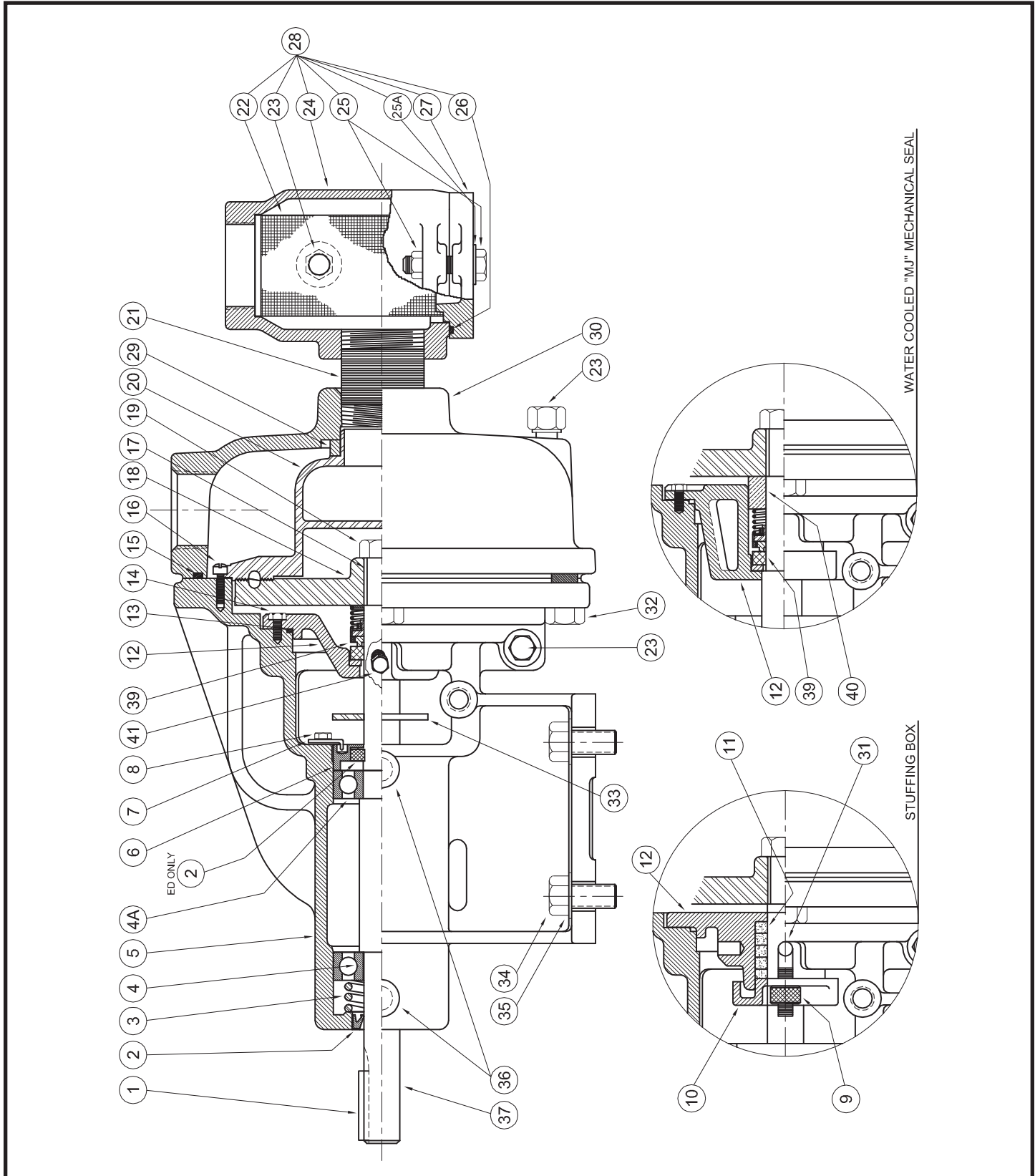


Turbines - Base Mounted



SECTION TBMP
PAGE 88
DATE 11/07

CRANE[®]

A Crane Co. Company

PUMPS & SYSTEMS

USA: (937) 778-8947 • Canada: (905) 457-6223 • International: (937) 615-3598

Turbines - Base Mounted

SYMBOL NUMBER	PART NUMBER	QTY	DESCRIPTION
18	SA07215	1	Impeller - 1/4" - EC4
	SA02034	1	Impeller - 5/16" - EC5
	SA07216	1	Impeller - 3/8" - EC6
	SA01806	1	Impeller - 7/16" - EC7
	SA01807	1	Impeller - 1/2" - EC8
	SA02545	1	Impeller - 9/16" - EC9
	SA01477	1	Impeller - 5/8" - EC10
	SA07217	1	Impeller - 1/2" - ED8
	SA05600	1	Impeller - 9/16" - ED9
	SA05237	1	Impeller - 5/8" - ED10
	SA07218	1	Impeller - 11/16" - ED11
SA05582	1	Impeller - 3/4" - ED12	
SA07219	1	Impeller - 7/8" - ED14	
19	01404	1	Locknut, Impeller - EC
	05037	1	Locknut, Impeller - ED
20	07203	1	Raceway - 1/4" - EC4
	07204	1	Raceway - 5/16" - EC5
	07205	1	Raceway - 3/8" - EC6
	07206	1	Raceway - 7/16" - EC7
	07207	1	Raceway - 1/2" - EC8
	07208	1	Raceway - 9/16" - EC9
	07209	1	Raceway - 5/8" - EC10
	05603	1	Raceway - 1/2" - ED8
21	05604	1	Raceway - 9/16" - ED9
	07210	1	Raceway - 5/8" - ED10
	05529	1	Raceway - 11/16" ED11
	05583	1	Raceway - 3/4" - ED12
	05585	1	Raceway - 7/8" - ED14
	02866	1	Nipple - EC
	05540	1	Nipple - ED
22	01407	1	Screen - EC
	04646	1	Screen - ED
23	04236	4	Plug
	05514	1	Body Strainer - EC
24	05380	1	Body Strainer - ED
	08683	2	Bolt w/Nut - EC
25	05383	2	Bolt w/Nut - ED
	01609-A	2	Washer - EC
25A	01609-B	2	Washer - EC
	002553	2	Washer - ED
	082209	2	Washer - ED

NOTE 1: Impeller and raceway must be ordered as a repair kit.
NOT available individually.

"CONTINUED ON NEXT PAGE"

SYMBOL NUMBER	PART NUMBER	QTY	DESCRIPTION
1	01420	1	Key - EC
	03234	1	Key - ED
2	20939	1	Oil Seal - EC
	21332	2	Oil Seal - ED
3	20922	1	Spring - EC
	21373	1	Spring - ED
4	21463	1	Bearing - EC
	21473	1	Bearing - ED
4A	21463	1	Bearing - EC
	625-00719	1	Bearing - ED
5	21302	1	Housing, Bearing - EC
	21325	1	Housing, Bearing - ED
6	09781	1	Adjusting Screw - EC
	21323	1	Adjusting Screw - ED
7	07576	1	Lock, Adjusting Screw
	07577	1	Screw
8	04211	2	Nut
	05812-B	1	Gland, Stuffing Box - EC
9	04643	1	Gland, Stuffing Box - ED
	05468	5	Packing - EC
10	05539	6	Packing - ED
	21306	1	Housing, Stuffing Box - EC
11	21319	1	Housing, Stuffing Box - ED
	21308	1	Housing, Mechanical Seal - EC
12	21320	1	Housing, Mechanical Seal - ED
	21309	1	Housing, Water Cooled Mech. Seal - EC-MJ
13	21318	1	Housing, Water Cooled Mech. Seal - ED-MJ
	21337	1	Gasket, Housing - Buna-N - EC (Std)
14	21547	1	Gasket, Housing - Viton - EC
	22131	1	Gasket, Housing - EPT - EC
15	22057	1	Gasket, Housing - Teflon - EC-MJ
	21333	1	Gasket, Housing - Buna-N - ED (Std)
16	21546	1	Gasket, Housing - Viton - ED
	22132	1	Gasket, Housing - EPT - ED
17	22058	1	Gasket, Housing - Teflon - ED-MJ
	21339	6	Screw
18	21338	1	Gasket, Case - Buna-N - EC (Std)
	21548	1	Gasket, Case - Viton - EC
19	22136	1	Gasket, Case - EPT - EC
	22059	1	Gasket, Case - Teflon - EC-MJ
20	21328	1	Gasket, Case - Buna-N - ED (Std)
	21545	1	Gasket, Case - Viton - ED
21	22137	1	Gasket, Case - EPT - ED
	22060	1	Gasket, Case - Teflon - ED-MJ
22	04227	2	Screw
	21748-A	1	Key - EC
23	21749-A	1	Key - ED

WARNING:
CANCER AND REPRODUCTIVE HARM -
WWW.P65WARNINGS.CA.GOV



Turbines - Base Mounted

SYMBOL NUMBER	PART NUMBER	QTY	DESCRIPTION
40	21353	1	Shaft Sleeve - EC-MJ
	21352	1	Shaft Sleeve - ED-MJ
41	01691-A	1	Plug 1/8"
	21549	1	Power Frame Assy - EC
	21551	1	Power Frame Assy - ED
DIFFERING PARTS FOR ALL BRONZE CONSTRUCTION			
5	21302-A	1	Housing, Bearing - EC
	21325-A	1	Housing, Bearing - ED
12	21306-A	1	Housing, Stuffing Box - EC
	21319-A	1	Housing, Stuffing Box - ED
1	21308-A	1	Housing, Mech. Seal - EC
	21320-A	1	Housing, Mech. Seal - ED
1	21309-A	1	Housing, Water-Cooled Mech. Seal - EC-MJ
	21318-A	1	Housing, Water-Cooled Mech. Seal - ED-MJ
21	07277	1	Nipple - EC
	05538	1	Nipple - ED
28	07183-A	1	Strainer Assy - EC
	07184-A	1	Strainer Assy - ED
30	21304-A	1	Case - EC
	21317-A	1	Case - ED
32	08771	6	Cap Screw - EC (SS)
	03106-A	6	Cap Screw - ED
	21550	1	Power Frame Assy - EC
	21552	1	Power Frame Assy - ED

NOTE 1: Impeller and raceway must be ordered as a repair kit.
NOT available individually..

REPAIR KITS FOR EC & ED SERIES PUMPS			
REPAIR KIT P/N	MODEL	REPAIR KIT P/N	MODEL
21707-04	EC4	21710-08	ED8
21707-05	EC5	21710-09	ED9
21707-06	EC6	21710-10	ED10
21707-07	EC7	21710-11	ED11
21707-08	EC8	21710-12	ED12
21707-09	EC9	21710-14	ED14
21707-10	EC10		

KIT INCLUDES: Impeller, Raceway and Instructions.

SYMBOL NUMBER	PART NUMBER	QTY	DESCRIPTION
26	21732	1	Gasket, Strainer - Buna-N - EC (Std)
	21733	1	Gasket, Strainer - Viton - EC
	22130	1	Gasket, Strainer - EPT - EC
	22056	1	Gasket, Strainer - Teflon - EC-MJ
	21337	1	Gasket, Strainer - Buna-N - ED (Std)
27	21547	1	Gasket, Strainer - Viton - ED
	22131	1	Gasket, Strainer - EPT - ED
	22057	1	Gasket, Strainer - Teflon - ED-MJ
	05125	1	Cap - EC
	05381	1	Cap - ED
28	07183	1	Strainer Assy - EC
	07184	1	Strainer Assy - ED
29	04231	1	Suction Sleeve - Buna-N - EC (Std)
	09695	1	Suction Sleeve - Viton - EC
	20285	1	Suction Sleeve - EPT - EC
	22100	1	Suction Sleeve - Teflon - EC-MJ
	09853	1	Retainer, Suction Sleeve - EC-MJ (Not Shown)
	04652	1	Suction Sleeve - Buna-N - ED (Std)
	09844	1	Suction Sleeve - Viton - ED
	22222	1	Suction Sleeve - EPT - ED
22061	1	Suction Sleeve - Teflon - ED-MJ	
30	22062	1	Retainer, Suction Sleeve - ED-MJ (Not Shown)
	21304	1	Case - EC
	21317	1	Case - ED
	07003	2	Gland Bolt
	01931	6	Cap Screw - EC
	03106	6	Cap Screw - ED
	08324	1	Slinger Washer - EC
	02831	1	Slinger Washer - ED
	1-68-6	4	Cap Screw
	20059	4	Washer
37	01691	2	Pipe Plug, 1/8"
	20921	1	Shaft - EC
39	21324	1	Shaft - ED
	08991	1	Mechanical Seal - Buna-N - EC (Std)
	09813-C	1	Mechanical Seal - Viton - EC
	21934	1	Mechanical Seal - EPT - EC
	20499-C	1	Mechanical Seal - Viton/Ni-Resist - EC-MJ
39	21942	1	Mechanical Seal - Buna-N - ED (Std)
	21943	1	Mechanical Seal - Viton - ED
	21935	1	Mechanical Seal - EPT - ED
	21857	1	Mechanical Seal - Viton/Ni-Resist - ED-MJ

WARNING:
CANCER AND REPRODUCTIVE HARM -
WWW.P65WARNINGS.CA.GOV

