



BASO Gas Products LLC

PRODUCT CATALOG 2019

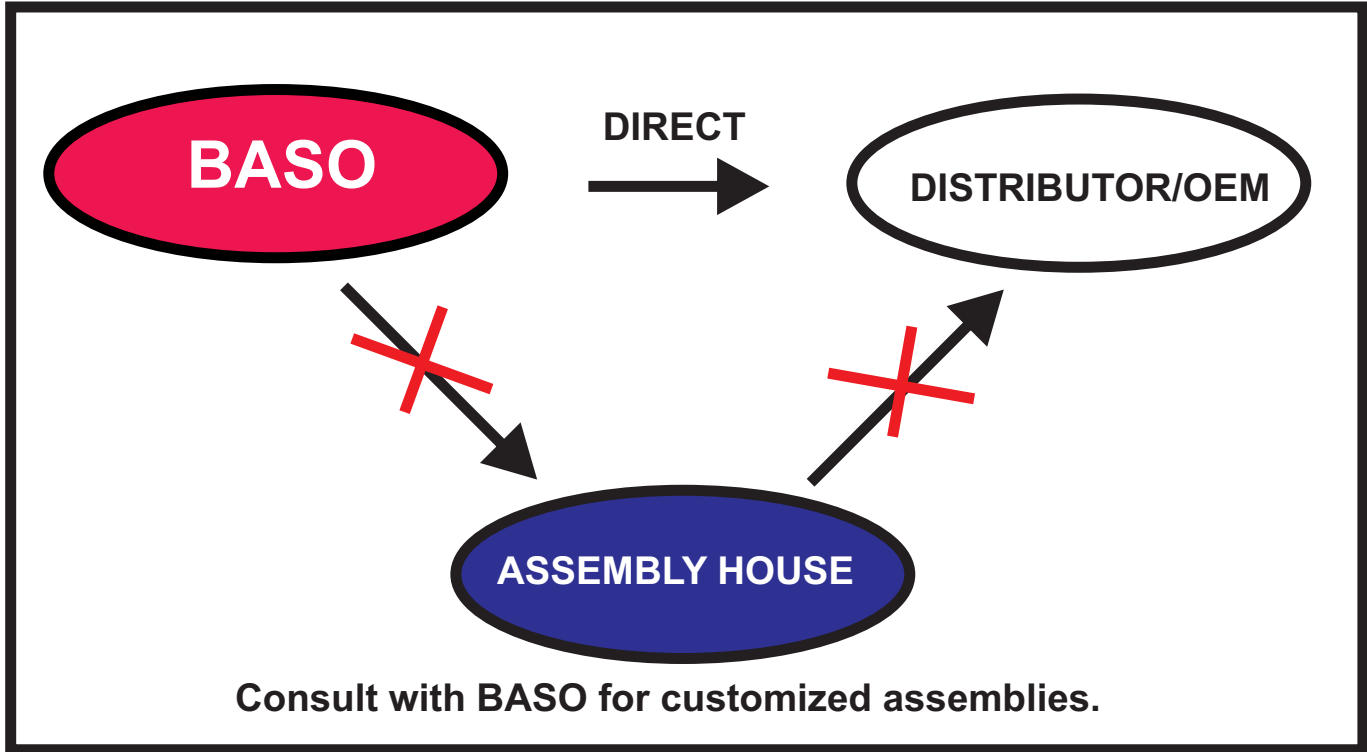


| | |
|---|---|
|   | Electrically Operated Gas Valves |
|   | Thermocouple Operated Gas Valves |
|   | Accessories |
|   | Ignition Control Modules |
|   | Pilot Burners |

VALUE ADDED ASSEMBLIES

As a value-added service, BASO will build and package custom assembly items to your specification, providing all components, using customer supplied items, or any combination thereof.

BASO Gas Products LLC has many years of experience in the application of gas valves and pilot burner assemblies. Let us put our experience to work for you. We welcome the opportunity to assist you in your applications.



Contents

Electrically Operated Gas Valves 2

| | |
|--|----|
| BGA158 Series Class A | 3 |
| BGA158 Series Class B | 4 |
| BGA171 Series Class B | 5 |
| BGA158, BGA171 and BGA110 Series | 6 |
| BGA109 Series | 8 |
| H91-Rev B Series BASOTROL® Automatic Gas Valve | 9 |
| H96 Series BASOTROL® Gas Valve Class B | 14 |
| H96 Cross Reference to BGA Series | 15 |
| BGC258 Series Combination Gas Valve | 16 |
| BGC258 Series Combination Gas Valve Class B | 17 |
| BGC278 Series Combination Gas Valve | 18 |
| BGC278 Series Combination Gas Valve Class B | 19 |
| BGD258 Series Redundant Gas Valve Class A | 20 |
| BGD258 Series Redundant Gas Valve Class B | 21 |
| BGD278 Series Redundant Gas Valve Class B | 22 |
| GM-7000 Series Redundant Gas Valve Class B | 23 |
| G960 Series Redundant Gas Valve Class B | 24 |
| G96 Series | 25 |
| G96 Series Hi/Lo Solenoid Gas Valve | 27 |
| BGE378 Series or BGF378 Series Hi/Lo Solenoid Gas Valve | 28 |
| G96 Series Redundant Gas Valve Class B | 29 |
| G195 Series Combination Gas Valve With Manual "A" Shut-off Valve | 30 |
| G196 Series Redundant Gas Valve With Manual "A" Shut-Off Valve | 31 |
| BGQ15HAA-1 Retrofit Gas Control System | 33 |
| VLV Series Universal Replacement Gas Valve | 34 |
| KIT-VLV Universal Replacement Gas Valve Mounting Plate | 35 |
| B21 Series Redundant Gas Valve | 36 |

Thermocouple Operated Gas Valves 37

| | |
|---|----|
| G292 Series Dual Pilot Valve | 38 |
| G92 Series BASOTROL® Non-Regulated Combination Gas Valve | 39 |
| H25 Series Dual Independent Outlets 100% Automatic Shut-off Pilot Safety Valve | 41 |
| G93 Series Regulated Combination Gas Valve | 42 |
| H15 Series Automatic Shut-Off Pilot Gas Valve | 44 |
| H17 Series Automatic Shut-Off Pilot Gas Valve | 46 |
| H19 Series Automatic Shut-Off Pilot Gas Valve | 48 |
| H19 Series High Pressure Automatic Shut-Off Pilot Gas Valve | 49 |
| H43 Series Automatic Shut-Off Pilot Gas Valve with Manual Shut-off | 50 |
| BGX583N Series Non-Explosion Proof Valve | 52 |
| BE58 Series Explosion Proof Valve | 53 |
| L61 Series BASO® Pilot Switch | 54 |
| L62 Series BASO® Pilot Switch | 55 |
| K14 Series Thermocouples | 56 |
| K15DA Series Thermocouples | 57 |
| K15DQ Series Thermocouples | 58 |
| K15FA Series Thermocouples | 59 |
| K16BA Series Thermocouples | 60 |
| K16BT Series Thermocouples | 61 |
| K16CA Series Thermocouples | 62 |
| K16FA Series Thermocouples | 63 |
| K16JA and K16KA Series Thermocouples | 64 |
| K16NA Series Thermocouples | 65 |
| K16RA Series Nickel-Plated Thermocouples | 66 |
| K16RM Series Nickel-Plated Thermocouples | 67 |
| K16WT Series Thermocouples | 68 |
| 63499-WT Series "WT" Extension Kits | 68 |
| K16SA and K19SA Series Thermocouples with Metric Thread | 69 |
| K17AJ Series Universal Thermocouple with Junction Block | 70 |

| | |
|--|----|
| K17 Series Universal Thermocouple | 71 |
| K17DA, K17LM, K17RA, and K17SL Series Low Mass Thermocouples | 72 |
| K19 Series Universal Thermocouple | 73 |
| T36A1 Series Universal Thermopile T36B0 Series Universal Coaxial Thermopile | 74 |
| Thermocouple and Thermopile (Millivolt Generator) Accessories | 75 |
| Y99AN Series Junction Block | 76 |
| Y99AL Series Test Couple | 77 |

Accessories 78

| | |
|---|----|
| Y99AB-4 BASO® Test Kit / Y99TB-1 Thermocouple Quick Tester | 79 |
| BGD258 or GM7000 Series Combination Gas Valve Regulator Conversion Kits | 80 |
| Replacement Potted Coils | 81 |
| SVC Series Connector | 82 |
| BDG100A-600 Series In-Line Rectifier | 82 |
| KT Series Flange Assembly Kits | 83 |
| Y57 Series High Voltage Flame Sensor Wire Harness | 84 |
| Y70 Series Gas Valve Thread Grease | 85 |
| Y71 Series Combination Gas Valve Regulator Conversion Kits | 86 |
| Y75 Series Replacement Flame Sensor Rod | 87 |
| Y80 Series Ignition Glow Coils | 88 |
| Y99AX Series Pressure Test Fittings/Y99AP BASO® Valve Connection Reducer | 89 |
| Y99AY and Y99HY Series Manually Operated Pilot Adjust Adapter | 90 |
| R23244-391 Red Button Replacement | 91 |
| Y99AR BASO® Pilot Burner Tubing | 91 |
| BR Series Convertible Regulators | 92 |
| R48629 BASO® Thermocouple Connector | 93 |

Ignition Control Modules 94

| | |
|--|-----|
| Spark Igniters (Pilot Relite Control) CS100, CS300 and CS600 | 95 |
| Continuous Spark Block Igniters CS222, CS322 and CS422 | 96 |
| 24- and 120-Volt Direct Spark Ignition Control | 97 |
| BGN891-1 24-Volt Direct Spark Ignition Control | 99 |
| 24- and 120-Volt Intermittent Pilot Ignition Control | 100 |
| C610U-1 24-VAC Universal Intermittent Pilot Ignition Control (replaces BG1600M51EF-1AA) | 103 |
| Model C107U-1 Universal Direct Spark Ignition | 108 |
| Direct Spark Dual Spark/Sense 24 Volt | 110 |
| BGH2UNCNTRLHT-01 Universal Hot Surface Ignition Control | 111 |
| BGH Series Hot Surface Ignition Control | 113 |
| WHA40 Wire Harness Series& RAA Adapter Terminal | 114 |
| ZP Series Piezo Spark Generator WHA Series Wire Harness | 115 |
| DC and DD Series Spark Igniter/Flame Sensors | 116 |
| B03M-5E067 Universal Kit Hot Surface Igniter | 117 |
| B04C-5E033 Series Hot Surface Igniter | 118 |
| B06C-5E035 Universal Kit Hot Surface Igniters | 119 |
| B04S Series Hot Surface Igniters | 120 |
| Micro Igniter 24 VAC Hot Surface Igniter | 121 |
| B19N Series 120 VAC Hot Surface Igniters | 122 |

Pilot Burners 123

| | |
|---|-----|
| J Series Stainless Steel Combination Standing Pilot Burners | 124 |
| J Series Universal Multi-Mount Standing Pilot Burners | 125 |
| J Series Pilot Burner Assemblies | 126 |
| Q90 Series Pilot Burner Assemblies | 128 |
| Fittings | 129 |
| Y90 Series Inlets | 130 |

OEM Cross Reference 131

Electrically Operated
Gas Valves

Thermocouple Operated
Gas Valves

Accessories

Ignition Control Modules

Pilot Burners

Electrically Operated Gas Valves





BASO Gas Products LLC

BGA158 Series Class A

Electrically Operated
Gas Valves

Description

BGA158 Series Class A automatic gas valves are electrically operated shut-off valves that are normally in the closed position and open on an electrical demand signal from a thermostat or other controlling device. The BGA158 can be used with natural gas or LP at pressures up to 138 mbar (2.0 psi). Typical applications include agricultural heater equipment, commercial cooking equipment, wall furnaces and other heating equipment. Its compact size permits installation in space-restrictive applications.

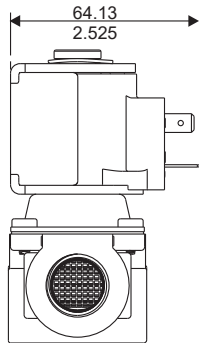


Specifications

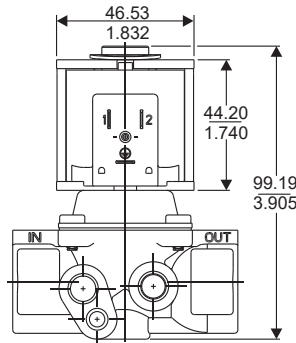
- Maximum working pressure: 138 mbar
- Available voltages: 12 VDC, 25 VDC, 25 VAC, 120 VAC, 240 VAC
- Inlet/outlet sizes: 1/8, 1/4, 3/8, 1/2 NPT or BSPP
- Pilot/Pressure tap sizes: 1/8 NPT or BSPP
- Permissible ambient (surface) temperature: -29° to 79°C (-20° to 175°F)

Agency Listing

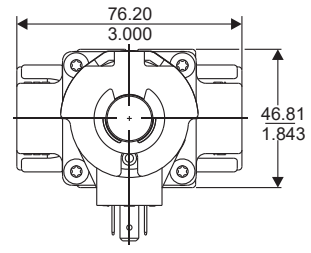
- EC Type Examination Certification number 692406 GAR
- CSA (AGA/CGA) Certificate number 229521-1656058
- UL Recognized File number MH5939



Inlet View



Right Side View



Top View

BGA158 Dimensions (mm/in.)

Selection Chart

| Part Number | Inlet and Outlet Female NPT | Natural Gas Capacity Btu/hr at 0.2 PSI Pressure Drop | With Inlet Screen | Voltage (50/60 Hz) | Pilot Tap NPT | Pressure Tap NPT |
|-------------------|-----------------------------|--|-------------------|--------------------|---------------|------------------|
| ▲ BGA158CAH-1CAAC | 1/8 in. x 1/8 in. | 150,000 | Yes | 25 VAC | None | None |
| ▲ BGA158CAJ-1CAAC | | | | 120 VAC | | |
| ▲ BGA158CBH-1CAAC | 1/4 in. x 1/4 in. | 260,000 | | 25 VAC | | |
| ▲ BGA158CBJ-1CAAC | | | | 120 VAC | | |
| ▲ BGA158CCH-1CAAC | 3/8 in. x 3/8 in. | 380,000 | | 25 VAC | | |
| ▲ BGA158CCJ-1CAAC | | | | 120 VAC | | |
| ▲ BGA158CDF-1CAAC | 1/2 in. x 1/2 in. | 560,000 | | 12 VDC | | |
| ▲ BGA158CDH-1CAAC | | | | 25 VAC | | |
| ▲ BGA158CDJ-1CAAC | | | | 120 VAC | | |
| ▲ BGA158GDH-1CAAC | | | | No | | |

▲ means bulk pack is available upon request.

Notes: DIN connectors are available; see Accessory section page 82.
Inlet screen available upon request.



BASO Gas Products LLC

BGA158 Series Class B

Description

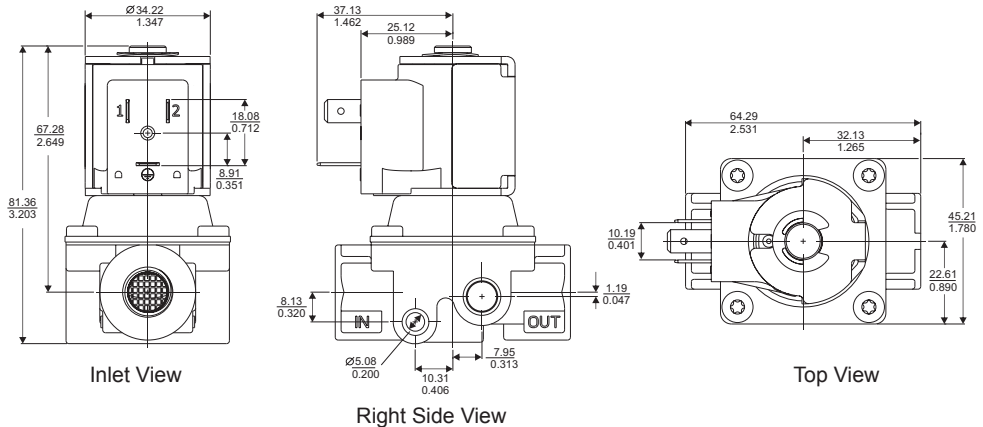
BGA158 Series Class B automatic gas valves are electrically operated shut-off valves that are normally in the closed position and open on an electrical demand signal from a thermostat or another controlling device. The BGA158 Series can be operated with natural gas, LP or LP-mixed gas at pressures up to 35 mbar (0.5 psi). Typical applications are agricultural heating equipment, commercial cooking equipment, wall furnaces or other heating equipment. Its compact size permits installation in space-restrictive applications.

Specifications

- Maximum working pressure: 50 mbar
- Available voltages: 12 VDC, 25 VDC, 25 VAC, 120 VAC, 240 VAC
- Inlet/Outlet sizes: 1/8, 1/4, 3/8, 1/2 NPT or BSPP / 1/2 BSPT
- Pilot pressure tap sizes: 1/8 NPT or BSPP
- Permissible ambient (surface) temperature: -29° to 79°C (-20° to 175°F)

Agency Listing

- EC Type Examination Certification number CE 692406 GAR
- CSA (AGA/CGA) Certificate number 229521-1656058
- UL Recognized File number MH5939



BGA158 Dimensions (mm/in.)

Selection Chart

| Part Number | Inlet and Outlet Female NPT | Natural Gas Capacity Btu/hr at 1 in. Pressure Drop | Voltage (50/60 Hz) | Pilot Tap NPT | Pressure Tap NPT |
|-------------------|-----------------------------|--|--------------------|---------------|-----------------------|
| ▲ BGA158AAC-1CAAC | 1/8 in. x 1/8 in. | 70,000 | 25 VAC | None | None |
| ▲ BGA158AAD-1CAAC | | | 120 VAC | None | None |
| ▲ BGA158ABC-1CAAC | 1/4 in. x 1/4 in. | 100,000 | 25 VAC | None | None |
| ▲ BGA158ABD-1CAAC | | | 120 VAC | None | None |
| ▲ BGA158ACC-1CAAC | 3/8 in. x 3/8 in. | 115,000 | 25 VAC | None | None |
| ▲ BGA158ACC-1CDAC | | | 25 VAC | None | 1/8-27 left and right |
| ▲ BGA158ACD-1CAAC | | | 120 VAC | None | None |

▲ means bulk pack is available upon request.

Notes: DIN connectors are available; see Accessory section page 82.

Inlet screen available upon request.



BASO Gas Products LLC

BGA171 Series Class B

Description

BGA171 Series Class B automatic gas valves are electrically operated shut-off valves that are normally in the closed position and open on an electrical demand signal from a thermostat or another controlling device. The BGA171 Series can be operated with natural gas, LP or LP-mixed gas at pressures up to 35 mbar (0.5 psi). Typical applications are agricultural heating equipment, commercial cooking equipment, wall furnaces or other heating equipment. Its compact size permits installation in space-restrictive applications.

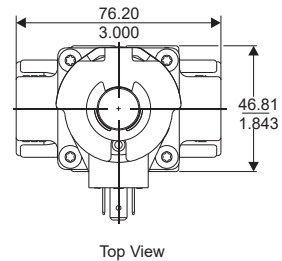
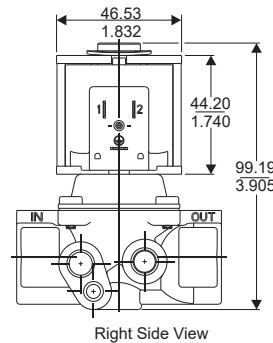
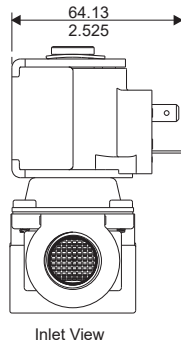


Specifications

- Maximum working pressure: 100 mbar
- Available voltages: 12 VDC, 25 VDC, 25 VAC, 120 VAC, 240 VAC
- Inlet/Outlet sizes: 1/2, 3/4 NPT or BSPP
- Pilot/pressure tap sizes: 1/8 NPT or BSPP
- Permissible ambient (surface) temperature: -29° to 79°C (-20° to 175°F)

Agency Listing

- EC Type Examination Certification number CE 692406 GAR
- CSA (AGA/CGA) Certificate number 229521-1656058
- UL Recognized File number MH5939



BGA171 Dimensions (mm/in.)

Selection Chart

| Part Number | Inlet and Outlet Female NPT | Natural Gas Capacity Btu/hr at 1 in. Pressure Drop | Voltage (50/60 Hz) | Pilot Tap NPT | Pressure Tap NPT |
|-------------------|-----------------------------|--|--------------------|---------------|-----------------------|
| ▲ BGA171ADD-1CAAC | 1/2 in. x 1/2 in. | 265,000 | 120 VAC | None | None |
| ▲ BGA171ADD-1CABC | | | 120 VAC | 1/8-27 left | None |
| ▲ BGA171AEH-1CAAC | | | 25 VAC | None | None |
| ▲ BGA171AEJ-1CAAC | | | 120 VAC | None | None |
| ▲ BGA171AEK-1CABC | | | 240 VAC | 1/8-27 left | None |
| ▲ BGA171AEK-1CDAC | | | 240 VAC | None | 1/8-27 left and right |
| ▲ BGA171AEK-1DAAC | | | 240 VAC | None | None |
| ▲ BGA171AGH-1CAAC | 3/4 in. x 3/4 in. | 290,000 | 25 VAC | None | None |
| ▲ BGA171AGJ-1CAAC | | | 120 VAC | None | None |

▲ means bulk pack is available upon request.

Notes: DIN connectors are available; see Accessory section page 82.
Inlet screen available upon request.



BASO Gas Products LLC

BGA158, BGA171 and BGA110 Series

Description

BGA158, 171 and 110 Series automatic gas valves are electrically operated shut-off valves that are normally in the closed position and open on an electrical demand signal from a thermostat or other controlling device. The BGA158, BGA171 and BGA110 can be operated with natural gas or LP at pressures up to 0.5 psi. Typical applications are agricultural heating equipment, commercial cooking equipment, wall furnaces or other heating equipment. Their compact size permits installation in space-restrictive applications.

Specifications

- Rated inlet pressure: 0.5 psi
- Available voltages: 12 VDC, 25 VDC, 25 VAC, 120 VAC, 240 VAC
- Inlet/Outlet sizes: 1/4 cc, 3/8 cc, 1/2 cc, 1/8, 1/4, 3/8, 1/2, 3/4, 1 NPT or BSPP



- Pilot/pressure tap sizes: 1/8 NPT or BSPP
- Permissible ambient (surface) temperature: -20° to 175°F (-29° to 79°C)

Agency Listing

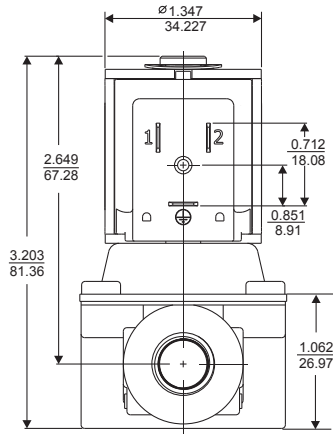
- CSA (AGA/CGA) Certificate number 229521-1656058
- UL Recognized File number MH5939
- Australian Gas Association Certificate number 4235

Selection Chart

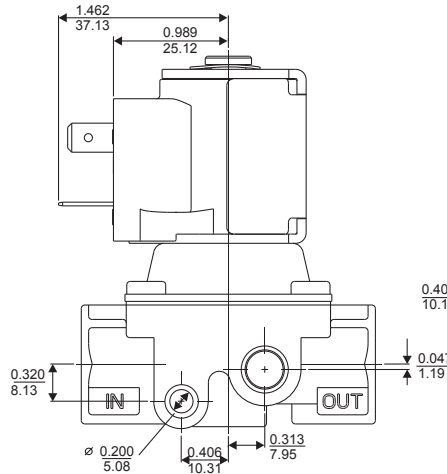
| Part Number | Inlet and Outlet Female NPT | Natural Gas Capacity Btu/hr at 1 in. Pressure Drop | Voltage (50/60 Hz) | Pilot Tap NPT | Pressure Tap NPT |
|-------------------|-----------------------------|--|--------------------|---------------|------------------|
| ▲ BGA158EAA-1CAAC | 1/8 in. x 1/8 in. | 70,000 | 12 VDC | None | None |
| ▲ BGA158EAC-1CAAC | | | 25 VAC | None | None |
| ▲ BGA158EAD-1CAAC | | | 120 VAC | None | None |
| ▲ BGA158EBA-1CAAC | 1/4 in. x 1/4 in. | 100,000 | 12 VDC | None | None |
| ▲ BGA158EBC-1CBAC | | | 25 VAC | None | 1/8-27 NPT left |
| ▲ BGA158EMC-1CAAC | 1/4 in. cc x 1/4 in. cc | 42,000 | 25 VAC | None | None |
| ▲ BGA158ECA-1CAAC | 3/8 in. x 3/8 in. | 115,000 | 12 VDC | None | None |
| ▲ BGA158ECD-1CAAC | | | 120 VAC | None | None |
| ▲ BGA158ECE-1CAAC | | | 240 VAC | None | None |
| ▲ BGA171EDA-1CAAC | 1/2 in. x 1/2 in. | 265,000 | 12 VDC | None | None |
| ▲ BGA171EDC-1CAAC | | | 25 VAC | None | None |
| ▲ BGA171EDD-1CAAC | | | 120 VAC | None | None |
| ▲ BGA171EDD-1DAAC | | | 120 VAC | None | None |
| ▲ BGA171EFA-1CAAC | 3/4 in. x 3/4 in. | 290,000 | 12 VDC | None | None |
| ▲ BGA171EFC-1CAAC | | | 25 VAC | None | None |
| ▲ BGA171EFD-1CAAC | | | 120 VAC | None | None |
| ▲ BGA171EFE-1CAAC | | | 240 VAC | None | None |
| ▲ BGA110EHF-1CAAC | 3/4 in. x 3/4 in. | 430,000 | 12 VDC | None | None |
| ▲ BGA110EHH-1CAAC | | | 25 VAC | None | None |
| ▲ BGA110EHJ-1CAAC | | | 120 VAC | None | None |
| ▲ BGA110EJH-1CAAC | 1 in. x 1 in. | 500,000 | 25 VAC | None | None |
| ▲ BGA110EJJ-1CAAC | | | 120 VAC | None | None |
| ▲ BGA110EJK-1CAAC | | | 240 VAC | None | None |

▲ means bulk pack is available upon request.

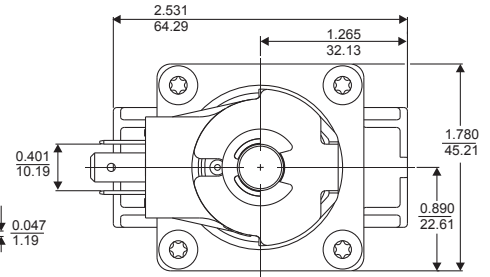
Notes: DIN connectors are available; see Accessory section page 82.
Inlet screen available upon request.



Inlet View

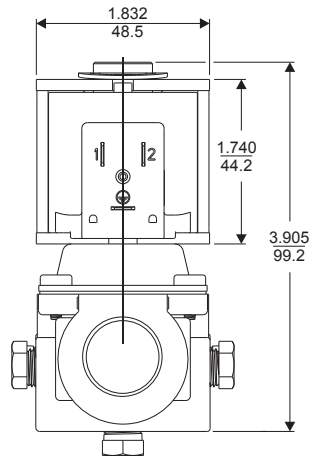


Right Side View

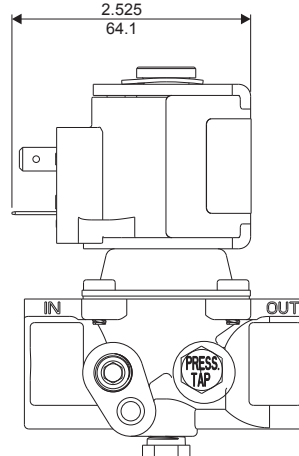


Top View

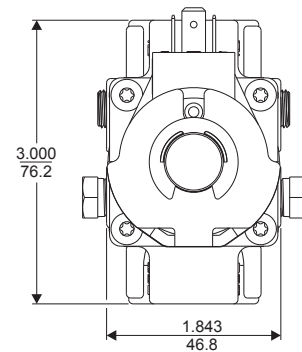
BGA158 dimensions



Inlet View

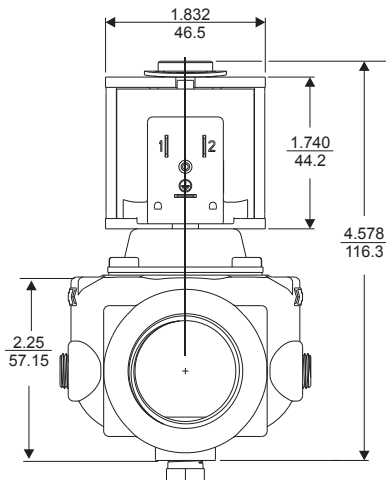


Right Side View

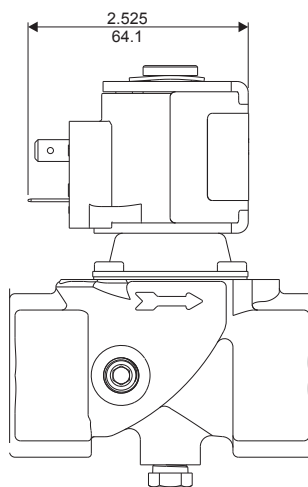


Top View

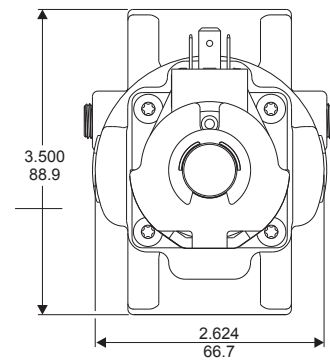
BGA171 dimensions



Inlet View



Right Side View



Top View

BGA110 dimensions



BASO Gas Products LLC

BGA109 Series

Description

The BA109 Series automatic gas valve is electrically operated which will open on a demand signal from a controlling device and automatically close once the electrical signal is removed. The BGA109 Series can be operated with natural or LP pressures up to 0.5 psi. Typical applications are fire pits to control pilot flow, or any other heating equipment looking for a low flow application.

Specifications

- Rated inlet pressure 0.5 psi
- Available voltages: 12VDC, 25VDC, 25VAC, 120VAC and 240VAC.
- Inlet/Outlet sizes: 1/8 NPT
- Permissible Ambient (surface temperature): 0 to 175 (-18 to 79)

Agency Listing

- CSA (AGA/CGA) Certification number 229521-1656058
- Australian Gas Association Certification number 4235

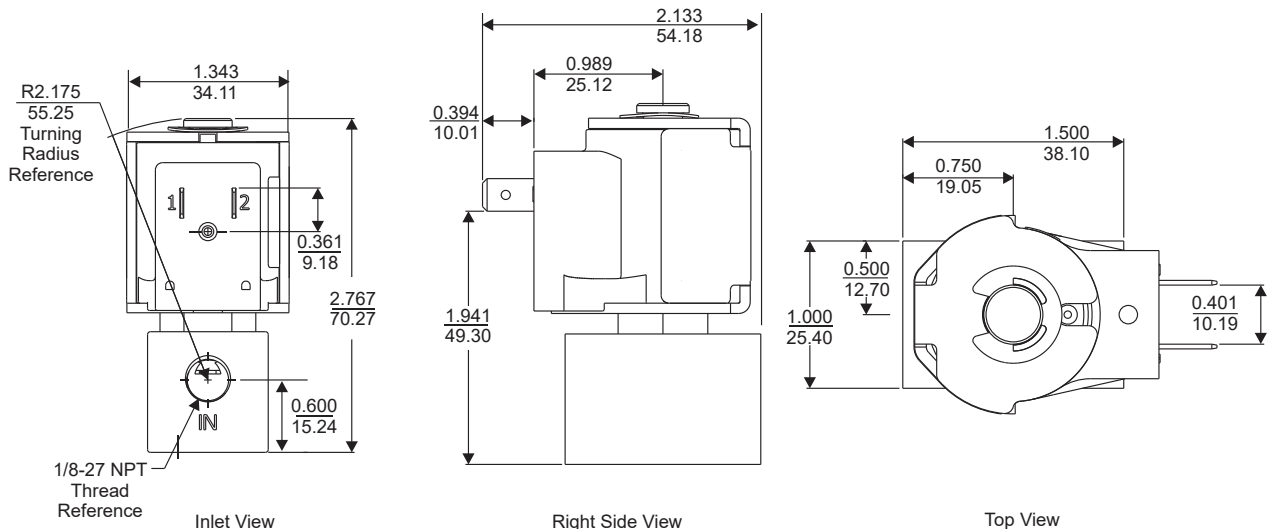


Selection Chart

| Part Number | Inlet and Outlet Female NPT | Natural Gas Capacity Btu/hr. at 1 in. Pressure Drop | Voltage (50/60 Hz) |
|-------------------|-----------------------------|---|--------------------|
| ▲ BGA109FNA-1DAAC | 1/8 in. x 1/8 in. | 8,000 | 12VDC |
| BGA109FNB-1DAAC | 1/8 in. x 1/8 in. | 8,000 | 25VDC |
| BGA109FNC-1CAAC | 1/8 in. x 1/8 in. | 8,000 | 25VDC |

▲ means bulk pack is available upon request.

Note: DIN connectors are available; see Accessory section page 82.





BASO Gas Products LLC

H91-Rev B Series BASOTROL® Automatic Gas Valve

Electrically Operated Gas Valves

Description

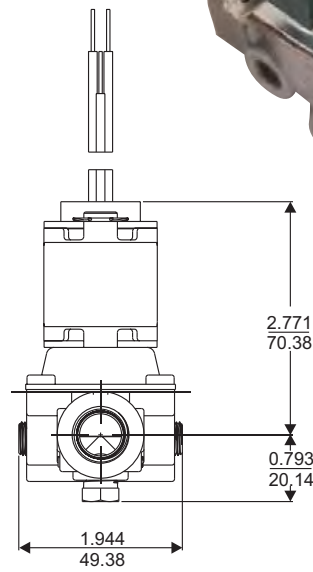
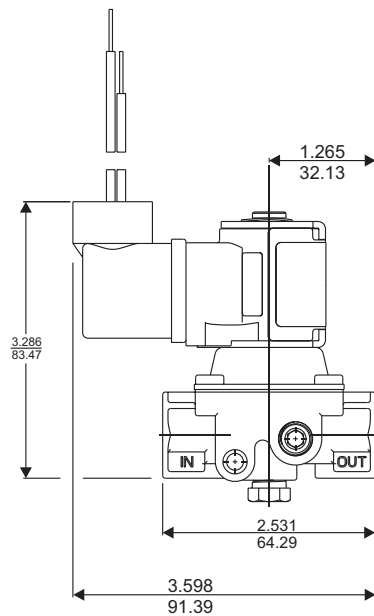
H91-Rev B Series automatic gas valves are electrically operated shut-off valves that automatically open and close on an electrical demand signal from a thermostat or other controlling device. Typical applications include heaters, wall furnaces, commercial cooking equipment, water heaters, boilers, generators, commercial dryers and similar applications. The H91 can be used with natural gas or LP at pressures up to 0.5 psi. Several cover options are available.

Specifications

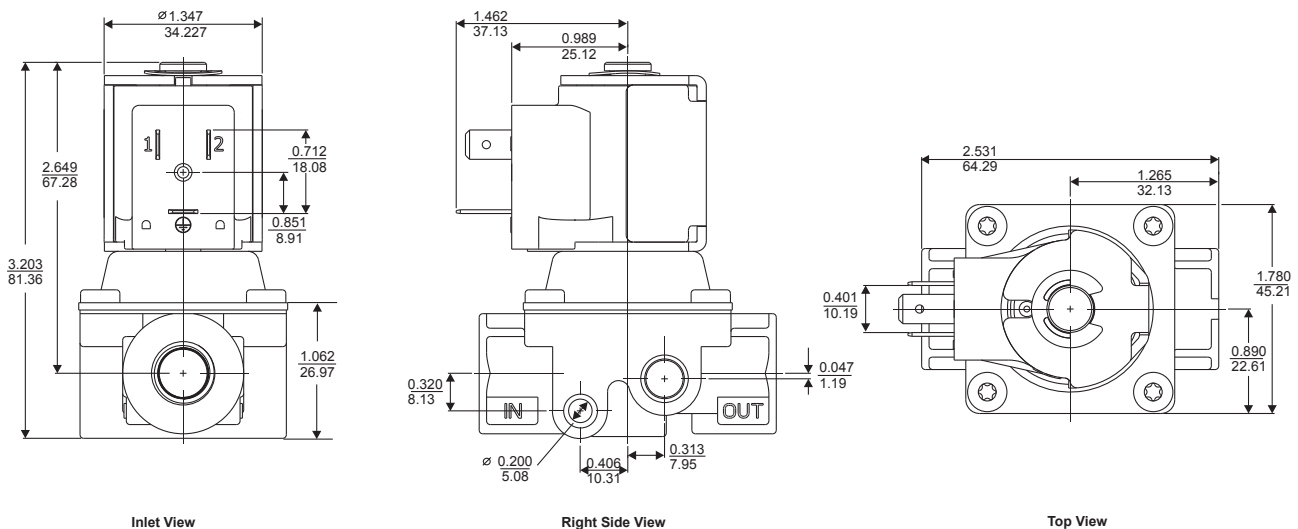
- Rated inlet pressure: 0.5 psi
- Permissible ambient (surface) temperature:
 - 20° to 175°F (-40° to 79°C) CSA
 - 20° to 140°F (-40° to 60°C) UL
- -20° to 125°F (-40° to 52°C) UL for H91E_, H91L_, H91M_ and H91R_ only.

Agency Listing

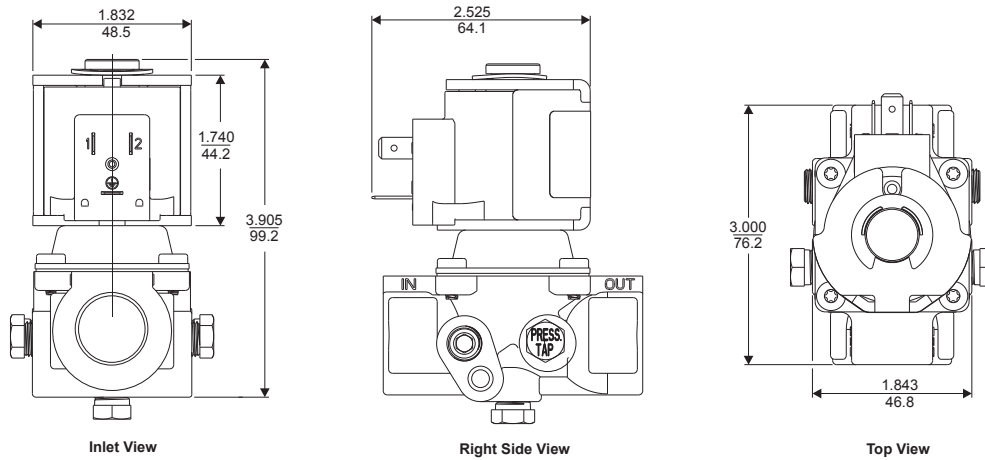
- CSA (AGA/CGA) Certificate number 229521-1656058
- Australian Gas Association Certificate number 4235 (H91A_, B_, C_, D_, E_, L_ and M_ models only [excludes models H91_V])
- UL Recognized File number MH5939, H91AAA, AAG, ABA, ABG, ACA, ACG, ADA, ADG, AMA, AMG, ARA, ARG



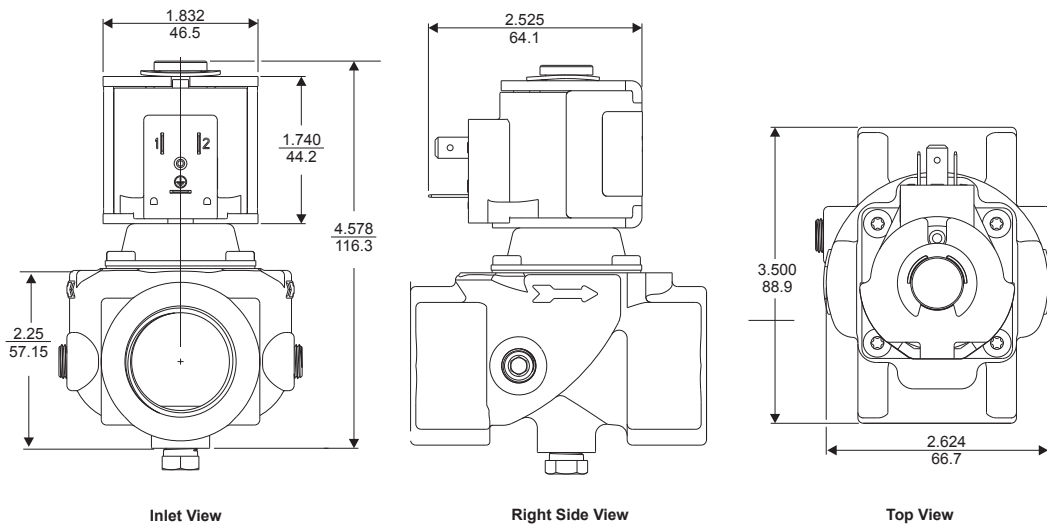
Note: DIN connectors are available; see Accessory section page 82.



H91AA, AG, BA, CA, CG, CS, SA, SG, VA, WA, WG, WS, AAA, AAG, ABA, ABG, ACA, ACG Dimensions (in./mm)



H91DA, DB, DG, DS, EA, EG, ES, EV, JV, RS, RV, ADA, ADG, ARA, ARG Dimensions (in./mm)



H91LA, LG, MA, MG, AMA, AMG Dimensions (in./mm)

Selection Chart

| Part Number | Inlet/Outlet NPT | Natural Gas Capacity Btu/hr at 1 in. Pressure Drop | Voltage (AC unless noted) | Pilot Tap NPT | Pressure Tap NPT | Leads/Tabs (when looking at the inlet) |
|-------------|-------------------|--|---------------------------|---------------|------------------|--|
| H91AA-4C | 1/8 in. x 1/8 in. | 70,000 | 120V | None | None | 30"/Conduit DIN |
| H91AA-5C | 1/8 in. x 1/8 in. | 70,000 | 120V | None | None | 30"/Conduit DIN |
| H91AA-6C | 1/8 in. x 1/8 in. | 70,000 | 120V | None | 1/8-27 L | 30"/Conduit DIN |
| H91AA-7C | 1/8 in. x 1/8 in. | 70,000 | 120V | None | None | 60"/Conduit DIN |
| H91AG-2C | 1/8 in. x 1/8 in. | 70,000 | 25V | None | None | 1/4 Tab |
| H91BA-11C | 1/4 in. x 1/4 in. | 100,000 | 120V | None | None | 90"/Conduit DIN |
| H91BA-3C | 1/4 in. x 1/4 in. | 100,000 | 120V | None | None | 30"/Conduit DIN |
| H91BA-7C | 1/4 in. x 1/4 in. | 100,000 | 120V | None | None | 40"/Conduit DIN |
| H91BG-2C | 1/4 in. x 1/4 in. | 100,000 | 25V | None | 1/8-27 R | 20"/Conduit DIN |
| H91BG-6C | 1/4 in. x 1/4 in. | 100,000 | 25V | None | 1/8-27 R | 1/4 Tab |
| H91BG-7C | 1/4 in. x 1/4 in. | 100,000 | 25V | None | 1/8-27 R | 1/4 Tab |
| H91CA-12C | 3/8 in. x 3/8 in. | 115,000 | 120V | None | None | 50"/Conduit DIN |
| H91CA-15C | 3/8 in. x 3/8 in. | 115,000 | 120V | 1/8-27 L&R | 1/8-27 Bottom | 30"/Conduit DIN |
| H91CA-16C | 3/8 in. x 3/8 in. | 115,000 | 120V | None | None | 30"/Straight DIN |
| H91CA-18C | 3/8 in. x 3/8 in. | 115,000 | 120V | None | 1/8-27 R | 30"/Conduit DIN |
| H91CA-21C | 3/8 in. x 3/8 in. | 115,000 | 120V | None | None | 1/4 Tab |
| H91CA-23C | 3/8 in. x 3/8 in. | 115,000 | 120V | None | 1/8-27 L&R | 1/4 Tab |
| H91CA-24C | 3/8 in. x 3/8 in. | 115,000 | 120V | None | 1/8-27 L | 10"/Conduit DIN |
| H91CA-27C | 3/8 in. x 3/8 in. | 115,000 | 120V | None | 1/8-27 L&R | 1/4 Tab |
| H91CA-28C | 3/8 in. x 3/8 in. | 115,000 | 120V | None | None | 50"/Straight DIN |
| H91CA-32C | 3/8 in. x 3/8 in. | 115,000 | 120V | None | 1/8-27 L | 10"/Straight DIN |
| H91CA-33C | 3/8 in. x 3/8 in. | 115,000 | 120V | None | 1/8-27 L | 10"/Straight DIN |
| H91CA-34C | 3/8 in. x 3/8 in. | 115,000 | 120V | None | 1/8-27 L | 10"/Straight DIN |
| H91CA-35C | 3/8 in. x 3/8 in. | 115,000 | 120V | None | 1/8-27 T L | 10"/Straight DIN |
| H91CA-36C | 3/8 in. x 3/8 in. | 115,000 | 120V | None | None | 10"/Straight DIN |
| H91CA-37C | 3/8 in. x 3/8 in. | 115,000 | 120V | None | None | 10"/Straight DIN |
| H91CA-38C | 3/8 in. x 3/8 in. | 115,000 | 120V | None | 1/8-27 L | 10"/Straight DIN |
| H91CA-39C | 3/8 in. x 3/8 in. | 115,000 | 120V | None | 1/8-27 L | 10"/Straight DIN |
| H91CA-40C | 3/8 in. x 3/8 in. | 115,000 | 120V | None | None | 10"/Straight DIN |
| H91CG-12C | 3/8 in. x 3/8 in. | 115,000 | 25V | 1/8-27 L&R | 1/8-27 Bottom | 30"/Conduit DIN |
| H91CG-15C | 3/8 in. x 3/8 in. | 115,000 | 25V | None | 1/8-27 Bottom | 1/4 Tab |
| H91CG-17C | 3/8 in. x 3/8 in. | 115,000 | 25V | None | None | 50"/Conduit DIN |
| H91CG-8C | 3/8 in. x 3/8 in. | 115,000 | 25V | None | None | 1/4 Tab |
| H91CS-10C | 3/8 in. x 3/8 in. | 115,000 | 240V | 1/8-27 L&R | None | 10"/Conduit DIN |
| H91CS-9C | 3/8 in. x 3/8 in. | 115,000 | 240V | None | None | 30"/Conduit DIN |
| H91DA-11C | 1/2 in. x 1/2 in. | 240,000 | 120V | None | None | 30"/Conduit DIN |
| H91DA-12C | 1/2 in. x 1/2 in. | 240,000 | 120V | None | None | 1/4 Tab |
| H91DA-13C | 1/2 in. x 1/2 in. | 240,000 | 120V | None | None | 1/4 Tab |
| H91DA-1C | 1/2 in. x 1/2 in. | 240,000 | 120V | None | None | 30"/Conduit DIN |
| H91DA-6C | 1/2 in. x 1/2 in. | 240,000 | 120V | None | 1/8-27 L | 10"/Conduit DIN |
| H91DA-7C | 1/2 in. x 1/2 in. | 240,000 | 120V | None | 1/8-27 Bottom | 1/4 Tab |
| H91DA-8C | 1/2 in. x 1/2 in. | 240,000 | 120V | 1/8-27 R | 1/8-27 L | 50"/Conduit DIN |
| H91DB-2C | 1/2 in. x 1/2 in. | 240,000 | 240V | None | None | 1/4 Tab |
| H91DG-11C | 1/2 in. x 1/2 in. | 240,000 | 25V | 1/8-27 R | 1/8-27 R | 1/4 Tab |
| H91DG-12C | 1/2 in. x 1/2 in. | 240,000 | 25V | None | None | 30"/Conduit DIN |

| Part Number | Inlet/Outlet NPT | Natural Gas Capacity Btu/hr at 1 in. Pressure Drop | Voltage (AC unless noted) | Pilot Tap NPT | Pressure Tap NPT | Leads/Tabs (when looking at the inlet) |
|-------------|-------------------|--|---------------------------|---------------|------------------|--|
| H91DG-13C | 1/2 in. x 1/2 in. | 240,000 | 25V | None | None | 30"/Conduit DIN |
| H91DG-2C | 1/2 in. x 1/2 in. | 240,000 | 25V | None | None | 1/4 Tab |
| H91DG-4C | 1/2 in. x 1/2 in. | 240,000 | 25V | None | None | 30"/Conduit DIN |
| H91DS-1C | 1/2 in. x 1/2 in. | 240,000 | 208/240V | None | None | 30"/Conduit DIN |
| H91DS-3C | 1/2 in. x 1/2 in. | 240,000 | 208/240V | 1/8-27 R | 1/8-27 L | 50"/Conduit DIN |
| H91EA-1C | 1/2 in. x 1/2 in. | 311,000 | 120V | None | None | 30"/Conduit DIN |
| H91EA-3C | 1/2 in. x 1/2 in. | 311,000 | 120V | None | None | 30"/Straight DIN |
| H91EA-5C | 1/2 in. x 1/2 in. | 311,000 | 120V | 1/8-27 L&R | 1/8-27 L&R | 30"/Conduit DIN |
| H91EA-6C | 1/2 in. x 1/2 in. | 311,000 | 120V | None | None | 30"/Conduit DIN |
| H91EA-8C | 1/2 in. x 1/2 in. | 311,000 | 120V | 1/8-27 L&R | 1/8-27 L&R | 40"/Conduit DIN |
| H91EG-7C | 1/2 in. x 1/2 in. | 311,000 | 25V | 1/8-27 L&R | 1/8-27 L&R | 1/4 Tab |
| H91ES-1C | 1/2 in. x 1/2 in. | 311,000 | 208/240V | 1/8-27 L&R | 1/8-27 L&R | 30"/Conduit DIN |
| H91ES-3C | 1/2 in. x 1/2 in. | 311,000 | 208/240V | 1/8-27 L&R | 1/8-27 L&R | 40"/Conduit DIN |
| H91EV-1C | 1/2 in. x 1/2 in. | 311,000 | 12VDC | None | None | 1/4 Tab |
| H91EV-3C | 1/2 in. x 1/2 in. | 311,000 | 12VDC | None | 1/8-27 L | 1/4 Tab |
| H91JV-1C | 1/2 in. x 1/2 in. | 240,000 | 12VDC | None | None | 1/4 Tab |
| H91JV-2C | 1/2 in. x 1/2 in. | 240,000 | 12VDC | None | None | 1/4 Tab |
| H91LA-13C | 3/4 in. x 3/4 in. | 430,000 | 120V | None | None | 30"/Conduit DIN 4 pin term |
| H91LA-1C | 3/4 in. x 3/4 in. | 430,000 | 120V | None | None | 30"/Conduit DIN |
| H91LA-2C | 3/4 in. x 3/4 in. | 430,000 | 120V | None | None | 30"/Conduit DIN |
| H91LA-6C | 3/4 in. x 3/4 in. | 430,000 | 120V | None | 1/8-27 L | 10"/Conduit DIN |
| H91LA-8C | 3/4 in. x 3/4 in. | 430,000 | 120V | None | None | 50"/Conduit DIN |
| H91LG-12C | 3/4 in. x 3/4 in. | 430,000 | 25V | 1/8-27 R | 1/8-27 Bottom | 30"/Conduit DIN |
| H91LG-14C | 3/4 in. x 3/4 in. | 430,000 | 25V | 1/8-27 R | 1/8-27 Bottom | 1/4 Tab |
| H91LG-15C | 3/4 in. x 3/4 in. | 430,000 | 25V | None | None | 30"/Conduit DIN |
| H91LG-7C | 3/4 in. x 3/4 in. | 430,000 | 25V | None | 1/8-27 Bottom | 30"/Straight DIN |
| H91LG-8C | 3/4 in. x 3/4 in. | 430,000 | 25V | None | 1/8-27 L | 1/4 Tab |
| H91LG-9C | 3/4 in. x 3/4 in. | 430,000 | 25V | None | 1/8-27 R | 1/4 Tab |
| H91MA-2C | 1 in. x 1 in. | 505,000 | 120V | None | None | 40"/Conduit DIN |
| H91MA-4C | 1 in. x 1 in. | 505,000 | 120V | 1/8-27 L&R | 1/8-27 Bottom | 30"/Conduit DIN |
| H91MA-5C | 1 in. x 1 in. | 505,000 | 120V | None | None | 30"/Conduit DIN |
| H91MB-1C | 1 in. x 1 in. | 505,000 | 240V | 1/8-27 L&R | 1/8-27 Bottom | 30"/Conduit DIN |
| H91MG-1C | 1 in. x 1 in. | 505,000 | 25V | None | None | 1/4 Tab |
| H91MG-3C | 1 in. x 1 in. | 505,000 | 25V | None | 1/8-27 Bottom | 30"/Straight DIN |
| H91MG-6C | 1 in. x 1 in. | 505,000 | 25V | None | 1/8-27 Bottom | 30"/Conduit DIN |
| H91MG-8C | 1 in. x 1 in. | 505,000 | 25V | 1/8-27 L&R | 1/8-27 Bottom | 1/4 Tab |
| H91MG-9C | 1 in. x 1 in. | 505,000 | 25V | None | None | 30"/Conduit DIN |
| H91RA-1C | 3/4 in. x 3/4 in. | 325,000 | 120V | 1/8-27 R | 1/8-27 L | 50"/Conduit DIN |
| H91RA-2C | 3/4 in. x 3/4 in. | 325,000 | 120V | 1/8-27 L&R | None | 30"/Conduit DIN |
| H91RA-4C | 3/4 in. x 3/4 in. | 325,000 | 120V | 1/8-27 L&R | None | 30"/Conduit DIN |
| H91RA-5C | 3/4 in. x 3/4 in. | 325,000 | 120V | 1/8-27 L&R | 1/8-27 L&R | 30"/Conduit DIN |
| H91RA-6C | 3/4 in. x 3/4 in. | 325,000 | 120V | None | None | 1/4 Tab |
| H91RB-1C | 3/4 in. x 3/4 in. | 325,000 | 240 | None | None | 30"/Conduit DIN |
| H91RG-1C | 3/4 in. x 3/4 in. | 325,000 | 25V | 1/8-27 L&R | 1/8-27 Bottom | 1/4 Tab |
| H91RG-2C | 3/4 in. x 3/4 in. | 325,000 | 25V | None | 1/8-27 L&R | 1/4 Tab |

| Part Number | Inlet/Outlet NPT | Natural Gas Capacity Btu/hr at 1 in. Pressure Drop | Voltage (AC unless noted) | Pilot Tap NPT | Pressure Tap NPT | Leads/Tabs (when looking at the inlet) |
|-----------------|-------------------------|--|---------------------------|---------------|------------------|--|
| H91RG-3C | 3/4 in. x 3/4 in. | 325,000 | 25V | None | None | 30"/Conduit DIN |
| H91RS-1C | 3/4 in. x 3/4 in. | 325,000 | 208/240V | 1/8-27 L&R | None | 30"/Conduit DIN |
| H91RS-2C | 3/4 in. x 3/4 in. | 325,000 | 208/240V | 1/8-27 L&R | None | 30"/Conduit DIN |
| H91RS-3C | 3/4 in. x 3/4 in. | 325,000 | 208/240V | 1/8-27 L&R | 1/8-27 L&R | 30"/Conduit DIN |
| H91RS-4C | 3/4 in. x 3/4 in. | 325,000 | 208/240V | 1/8-27 L&R | None | 30"/Conduit DIN |
| H91RV-1C | 3/4 in. x 3/4 in. | 325,000 | 12VDC | 1/8-27 L&R | 1/8-27 Bottom | 1/4 Tab |
| H91RV-2C | 3/4 in. x 3/4 in. | 325,000 | 12VDC | 1/8-27 L&R | 1/8-27 Bottom | 1/4 Tab |
| H91SA-2C | 1/2 in. cc x 1/2 in. cc | 160,000 | 120V | 1/8-27 L&R | None | 1/4 Tab |
| H91SG-1C | 1/2 in. cc x 1/2 in. cc | 160,000 | 25V | 1/8-27 R | None | 1/4 Tab |
| H91VA-1C | 3/8 in. cc x 3/8 in. cc | 55,000 | 120V | None | None | 1/4 Tab |
| H91WA-4C | 1/4 in. cc x 1/4 in. cc | 42,000 | 120V | None | 1/8-27 L | 30"/Conduit DIN |
| H91WG-1C | 1/4 in. cc x 1/4 in. cc | 42,000 | 25V | None | None | 1/4 Tab |
| H91WG-6C | 1/4 in. cc x 1/4 in. cc | 42,000 | 25V | None | None | 30"/Conduit DIN |
| H91WG-7C | 1/4 in. cc x 1/4 in. cc | 42,000 | 25V | None | None | 20"/Straight DIN |
| H91WS-2C | 1/4 in. cc x 1/4 in. cc | 42,000 | 208/240V | None | None | 20"/Straight DIN |



BASO Gas Products LLC

H96 Series BASOTROL® Gas Valve Class B

Description

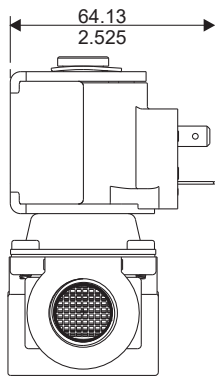
H96 Series automatic gas valves are electrically operated shut-off valves that automatically open and close on an electrical demand signal from a thermostat or other controlling device. Typical applications include heaters, wall furnaces, commercial cooking equipment and similar applications. The H96 can be used with natural gas or LP at pressures up to 35 mbar (0.5 psi). Its compact size permits installation in space-restrictive applications.

Specifications

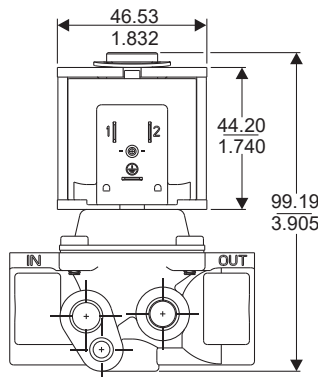
- Maximum working pressure: 100 mbar
- Permissible ambient (surface) temperature:
-29° to 79°C (-20° to 175°F)

Agency Listing

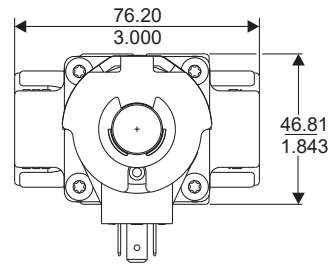
- CE Approval EC-87/05/041
- CSA (AGA/CGA) Certificate number 229521-1656058



Inlet View



Right Side View



Top View

H96 Dimensions (mm/in.)

Selection Chart

| Part Number | Inlet and Outlet Female NPT | Natural Gas Capacity Btu/hr at 1 in. Pressure Drop | Voltage (50/60 Hz) | Pilot Tap NPT | Pressure Tap NPT |
|-------------|-----------------------------|--|--------------------|-----------------------|------------------|
| H96BADE-1C | 1/2 in. x 1/2 in. | 240,000 | 25 | 1/8-27 left and right | 1/8-27 bottom |
| H96BEDE-1C | | | 120 | | |
| H96CADE-1C | 3/4 in. x 3/4 in. | 325,000 | 25 | | |
| H96CEDE-1C | | | 120 | | |
| ▲ H96CAA-1C | 3/4 in. x 3/4 in. | 325,000 | 240 | None | None |
| ▲ H96CAC-1C | | | | | 1/8-27 right |

▲ means bulk pack is available upon request.

Note: DIN connectors are available; see Accessory section page 82.



BASO Gas Products LLC

H96 Cross Reference to BGA Series

Electrically Operated Gas Valves

H96 to BGA171 Conversion

| Part Number | Inlet and Outlet Female NPT | Voltage (50/60 Hz) | Pilot Tap NPT | Pressure Tap NPT | BGA Replacement | Functional or Exact Replacement |
|-------------|-----------------------------|--------------------|-----------------------|------------------|-----------------|---------------------------------|
| H96BADE-1C | 1/2 in. x 1/2 in. | 25 | 1/8-27 left and right | 1/8-27 bottom | BGA171AEH-1ADDC | Exact |
| H96BEDE-1C | | 120 | | | BGA171AEJ-1ADDC | Exact |
| H96CADE-1C | 3/4 in. x 3/4 in. | 25 | | | BGA171AGH-1ADDC | Exact |
| H96CEDE-1C | | 120 | | | BGA171AGJ-1ADDC | Exact |
| H96CAA-1C | 3/4 in. x 3/4 in. | 240 | None | None | BGA171AGK-1DAAC | Exact |
| H96CMAC-1C | | | | 1/8-27 right | BGA171AGK-1DACC | Exact |



BASO Gas Products LLC

BGC258 Series Combination Gas Valve

Electrically Operated Gas Valves

Description

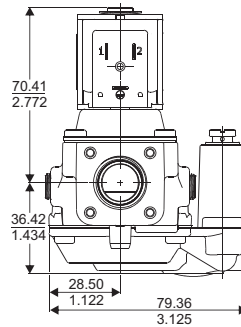
BGC258 Series combination gas valves have a single operator combined with a pressure regulator for gas systems that want the capability to regulate with a single coil operator. Pilot gas is regulated based on the valve regulation setting. The BGC258 Series can be used with natural gas, LP or LP-mixed gas at pressures up to 0.5 psi. Typical applications are heater equipment, commercial cooking equipment, rooftops and agricultural equipment. Field-serviceable regulator conversion kits are available to switch from LP to natural gas or natural gas to LP; see page 80.

Specifications

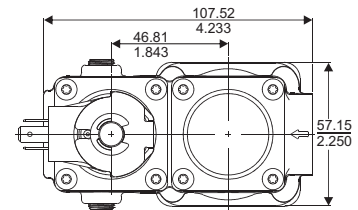
- Rated inlet pressure: 0.5 psi
- Available voltages: 12 VDC, 25 VDC, 25 VAC, 120 VAC, 240 VAC
- Inlet/Outlet sizes: 3/8, 1/2 NPT or BSPT
- Pilot/Pressure tap sizes: 1/8 NPT or BSPT
- Permissible ambient (surface) temperature: -20° to 175°F (-29° to 79°C)
- Natural gas capacity Btu/hr at 1 in. pressure drop: 95,000 for 3/8 NPT
100,000 for 1/2 NPT

Agency Listing

- CSA (AGA/CGA) Certificate number 229521-1656041
- Australian Gas Association certificate number 7934

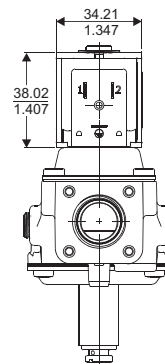


Outlet View

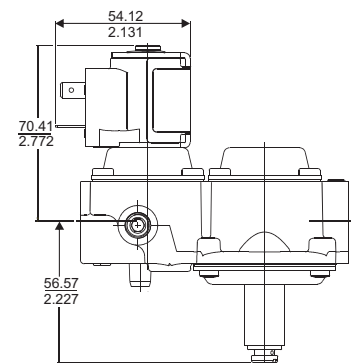


Top View

Top Adjust Regulator



Outlet View



Left Side View

Bottom Adjust Regulator

Selection Chart

| Part Number | Inlet and Outlet Female NPT | Voltage (50/60 Hz) | Pilot Tap NPT | Pressure Tap | Regulator Adjustment |
|---------------------------|-----------------------------|--------------------|-----------------------|-----------------|----------------------|
| BGC258HFC-1CAGDC | 1/2 in. x 1/2 in. | 25 | 1/8-27 left and right | M5 x 0.8 bottom | Bottom |
| ▲ BGC258HFE-1CBGDC | 1/2 in. x 1/2 in. | 25 | 1/8-27 left and right | M5 x 0.8 bottom | Top |

▲ means bulk pack is available upon request.

Notes: DIN connectors are available; see Accessory section on page 82.

Inlet screen available upon request.



BASO Gas Products LLC

BGC258 Series Combination Gas Valve Class B

Description

BGC258 Series combination gas valves have a single operator combined with a pressure regulator for gas systems that want the capability to regulate with a single coil operator. Pilot gas is regulated based on the valve regulation setting. The BGC258 Series can be used with natural gas, LP or LP-mixed gas at pressures up to 35 mbar (0.5 psi). Typical applications are heater equipment, commercial cooking equipment, rooftops and agricultural equipment. Field-serviceable regulator conversion kits are available to switch from LP to natural gas or natural gas to LP; see page 80.

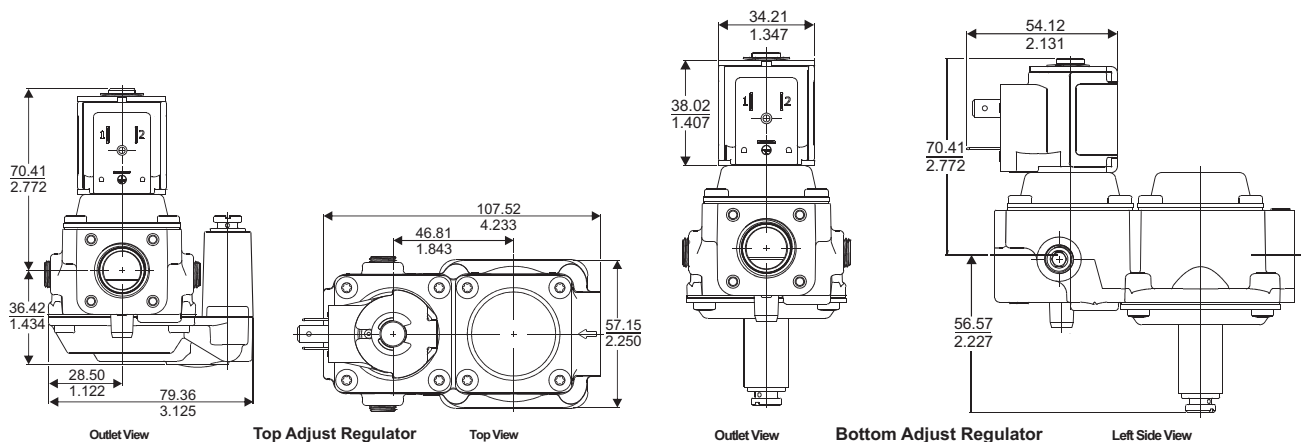
Specifications

- Maximum working pressure: 50 mbar
- Available voltages: 12 VDC, 25 VDC, 25 VAC, 120 VAC, 240 VAC
- Inlet/Outlet sizes: 3/8, 1/2 NPT or BSPT
- Pilot/Pressure tap sizes: 1/8 NPT or BSPT
- Permissible ambient (surface) temperature: -29° to 79°C (-20° to 175°F)
- Natural gas capacity Btu/hr at 1 in. pressure drop: 95,000 for 3/8 NPT
100,000 for 1/2 NPT



Agency Listing

- EC Type Examination Certification number CE 689492 GAR
- CSA (AGA/CGA) Certificate number 229521-1656041
- Australian Gas Association certificate number 7934



Selection Chart

| Part Number | Inlet and Outlet Female NPT | Voltage (50/60 Hz) | Pilot Tap NPT | Pressure Tap | Regulator Adjustment |
|-------------------------|-----------------------------|--------------------|-----------------------|-----------------|----------------------|
| BGC258BBC-1CAGDC | 1/2 in. x 1/2 in. | 25 | 1/8-27 left and right | M5 x 0.8 bottom | bottom |
| BGC258BBE-1CBGDC | 1/2 in. x 1/2 in. | 25 | 1/8-27 left and right | M5 x 0.8 bottom | top |

Notes: DIN connectors are available; see Accessory section on page 82.
Inlet screen available upon request.



BASO Gas Products LLC

BGC278 Series Combination Gas Valve

Description

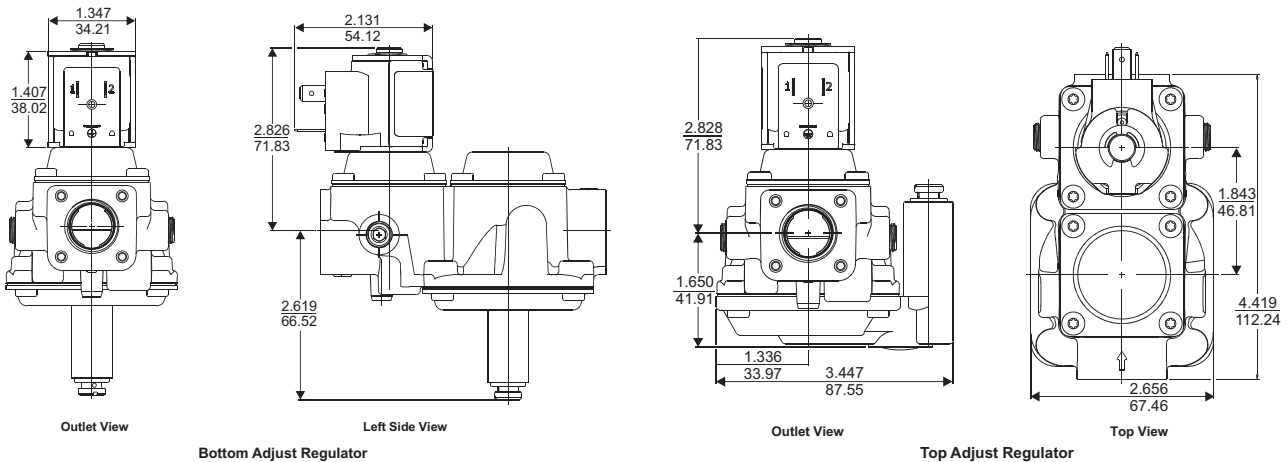
BGC278 Series combination gas valves have a single operator combined with a pressure regulator for gas systems that want the capability to regulate with a single coil operator. Pilot gas is regulated based on the valve regulation setting. Typical applications are heater equipment, commercial cooking equipment, rooftops and agricultural equipment. The BGC278 Series can be used with natural gas, LP or LP-mixed gas at pressures up to 0.5 psi. Field-serviceable regulator conversion kits are available to switch from LP to natural gas or natural gas to LP; see page 86.

Specifications

- Rated inlet pressure: 0.5 psi
- Available voltages: 12 VDC, 25 VDC, 25 VAC, 120 VAC, 240 VAC
- Inlet/Outlet sizes: 1/2, 3/4 NPT or BSPT
- Pilot/Pressure tap sizes: 1/8 NPT or BSPT
- Permissible ambient (surface) temperature: -20° to 175°F (-29° to 79°C)
- Natural gas capacity Btu/hr at 1 in. pressure drop: 190,000

Agency Listing

- CSA (AGA/CGA) Certificate number 229521-1656041
- Australian Gas Association certificate number 7934



BGC278 Dimensions (in./mm)

Selection Chart

| Part Number | Inlet and Outlet Female NPT | Voltage (50/60 Hz) | Pilot Tap NPT | Pressure Tap | Regulator Adjustment |
|-------------------------|-----------------------------|--------------------|-----------------------|-----------------|----------------------|
| BGC278BBC-1CAGDC | 1/2 in. x 1/2 in. | 25 | 1/8-27 left and right | M5 x 0.8 bottom | bottom |
| BGC278BBE-1CBGDC | 1/2 in. x 1/2 in. | 25 | 1/8-27 left and right | M5 x 0.8 bottom | top |

Notes: DIN connectors are available; see Accessory section on page 82.
Inlet screen available upon request.



BASO Gas Products LLC

BGC278 Series Combination Gas Valve Class B

Description

BGC278 Series combination gas valves have a single operator combined with a pressure regulator for gas systems that want the capability to regulate with a single coil operator. Pilot gas is regulated based on the valve regulation setting. Typical applications are heater equipment, commercial cooking equipment, rooftops and agricultural equipment. The BGC278 Series can be used with natural gas, LP or LP-mixed gas at pressures up to 35 mbar (0.5 psi). Field-serviceable regulator conversion kits are available to switch from LP to natural gas or natural gas to LP; see page 86.

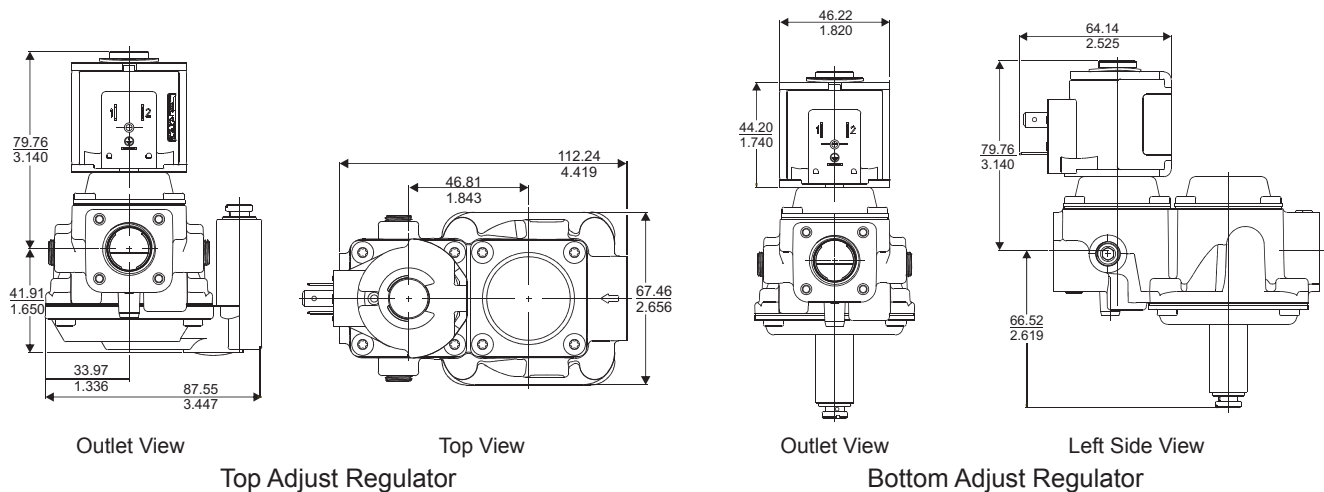
Specifications

- Maximum working pressure: 100 mbar
- Available voltages: 12 VDC, 25 VDC, 25 VAC, 120 VAC, 240 VAC
- Inlet/Outlet sizes: 1/2, 3/4 NPT or BSPT
- Pilot/Pressure tap sizes: 1/8 NPT or BSPT
- Permissible ambient (surface) temperature: -29° to 79°C (-20° to 175°F)
- Natural gas capacity Btu/hr at 1 in. pressure drop: 190,000



Agency Listing

- EC Type Examination Certification number CE 689492 GAR
- CSA (AGA/CGA) Certificate number 229521-1656041
- Australian Gas Association certificate number 7934



BGC278 Dimensions (mm/in.)

Selection Chart

| Part Number | Inlet and Outlet Female NPT | Voltage (50/60 Hz) | Pilot Tap NPT | Pressure Tap | Regulator Adjustment |
|-------------------------|-----------------------------|--------------------|-----------------------|-----------------|----------------------|
| BGC278BFC-1CAGDC | 1/2 in. x 1/2 in. | 25 | 1/8-27 left and right | M5 x 0.8 bottom | bottom |
| BGC278BFE-1CBGDC | 1/2 in. x 1/2 in. | 25 | 1/8-27 left and right | M5 x 0.8 bottom | top |

Notes: DIN connectors are available; see Accessory section on page 82.
Inlet screen available upon request.



BASO Gas Products LLC

BGD258 Series Redundant Gas Valve Class A

Description

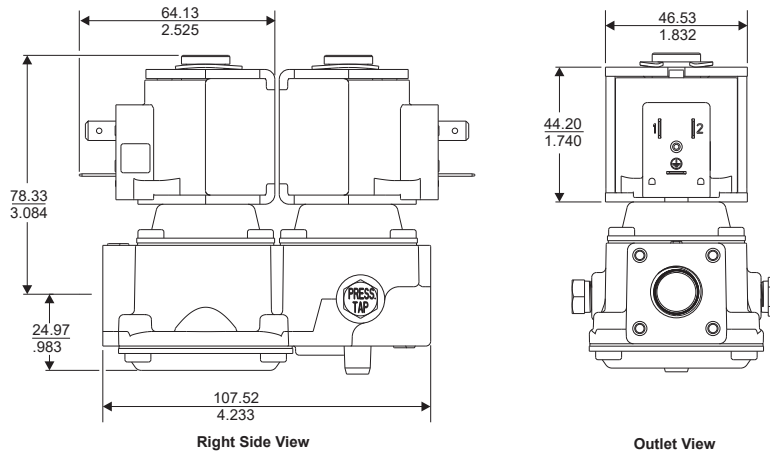
BGD258 Series redundant gas valves operate at a higher gas pressure than our traditional valve series. BASO® offers this valve series only in non-regulated versions. The BGD258 Series can be used with natural gas or LP at pressures up to 138 mbar (2.0 psi). Typical applications are cooking equipment and other heating equipment that require higher flow rates.

Specifications

- Maximum working pressure: 138 mbar
- Available voltages: 12 VDC, 25 VDC, 25 VAC, 120 VAC, 240 VAC
- Inlet/Outlet sizes: 3/8, 1/2 NPT or BSPT
- Pilot/Pressure tap sizes: 1/8 NPT or BSPT
- Permissible ambient (surface) temperature: -29° to 79°C (-20° to 175°F)

Agency Listing

- EC Type Examination Certification number CE 689492 GAR
- CSA (AGA/CGA) Certificate number 229521-1656041
- UL Recognized File number MH5939
- Australian Gas Association Certificate number 7934



BGD258 Dimensions (mm/in.)

Selection Chart

| Part Number | Inlet and Outlet Female NPT | Natural Gas Capacity Btu/hr at 0.2 PSI Pressure Drop | Voltage (50/60 Hz) | Pilot Tap NPT | Pressure Tap NPT |
|--------------------|-----------------------------|--|--------------------|---------------|---------------------|
| ▲ BGD258AGA-1AAAGC | 3/8 in. x 3/8 in. | 300,000 | 120 VAC | None | 1/8-27 right & left |
| ▲ BGD258BHA-1AAAGC | 1/2 in. x 1/2 in. | 350,000 | 240 VAC | None | 1/8-27 right & left |
| ▲ BGD258HFA-1AAAGC | 1/2 in. x 1/2 in. | 350,000 | 25 VAC | None | 1/8-27 right & left |

▲ means bulk pack is available upon request.

Notes: DIN connectors are available; see Accessory section on page 82.

Inlet screen available upon request.



BASO Gas Products LLC

BGD258 Series Redundant Gas Valve Class B

Description

BGD258 Series redundant combination automatic shut-off gas valves can be provided with or without regulation. Pilot gas is regulated based on the valve regulation setting. The BGD258 Series can be used with natural gas, LP or LP-mixed gas at pressures up to 35 mbar (0.5 psi) maximum. Typical applications are cooking equipment, wall heaters, gas dryers, agricultural heaters and other heating equipment. Field-serviceable regulator conversion kits are available to switch from LP to natural gas or natural gas to LP; see page 80.

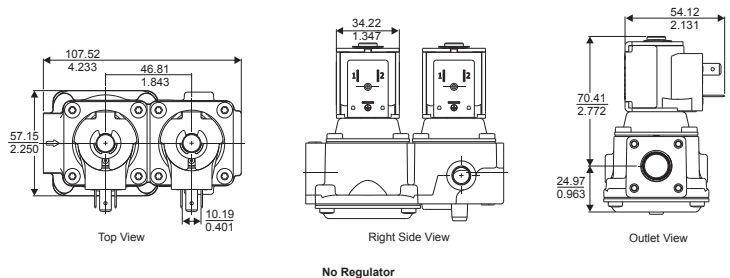
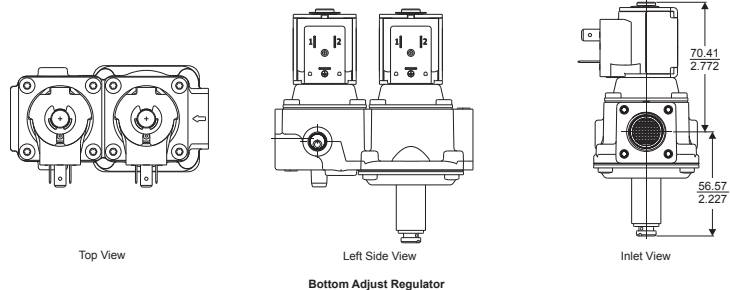
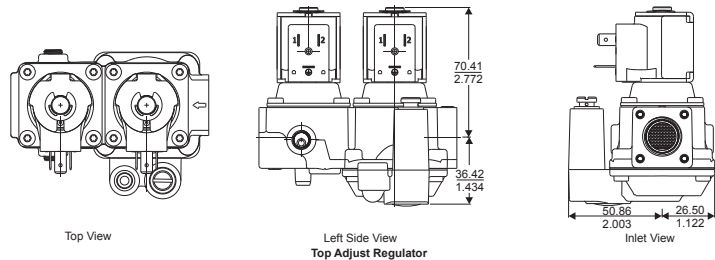


Specifications

- Maximum working pressure: 50 mbar
- Available voltages: 12 VDC, 25 VDC, 25 VAC, 120 VAC, 240 VAC
- Inlet/Outlet sizes: 3/8, 1/2 NPT or BSPT
- Pilot/Pressure tap sizes: 1/8 NPT or BSPT
- Permissible ambient (surface) temperature: -29° to 79°C (-20° to 175°F)
- Natural gas capacity Btu/hr at 1 in. pressure drop:
95,000 for 3/8 NPT
100,000 for 1/2 NPT

Agency Listing

- EC Type Examination Certification number CE 689492 GAR
- CSA (AGA/CGA) Certificate number 229521-1656041
- UL Recognized Certification MH5939
- Australian Gas Association Certificate number 7934



Selection Chart

| | Part Number | Inlet and Outlet Female NPT | Voltaged (50/60 Hz) | Pilot Tap | Pressure Tap | Regulator Adjustment |
|---|-------------------------|-----------------------------|---------------------|-------------------|-----------------|----------------------|
| ▲ | BGD258ABC-1CADD | 3/8 in. x 3/8 in. | 25 | 1/4 in. cc bottom | M5 x 0.8 bottom | Bottom/Natural |
| ▲ | BGD258ACA-1BACBC | 3/8 in. x 3/8 in. | 25 | 1/8-27 NPT right | 1/8-27 NPT left | Bottom/Natural |

▲ means bulk pack is available upon request.

Notes: DIN connectors are available; see Accessory section on page 82.
Inlet screen available upon request.



BASO Gas Products LLC

BGD278 Series Redundant Gas Valve Class B

Description

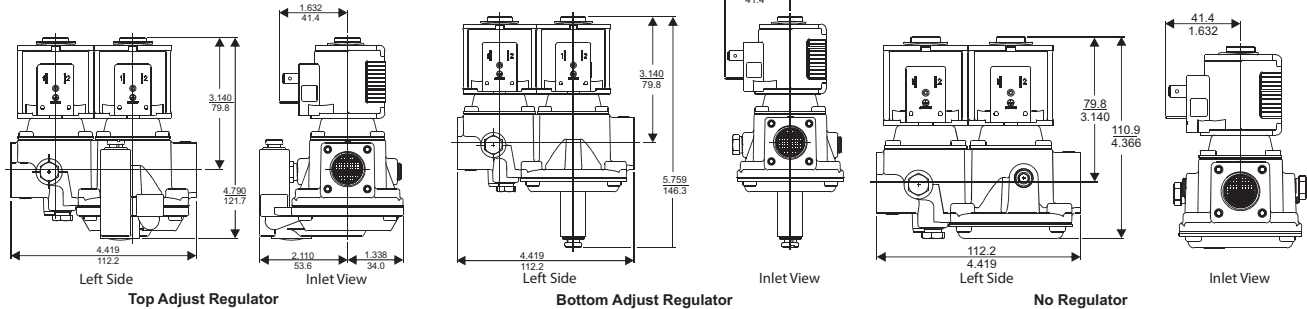
BGD278 Series redundant combination automatic shut-off gas valves can be provided with or without regulation. Pilot gas is regulated based on the valve regulation setting. The BGD278 Series can be used with natural gas, LP or LP-mixed gas at pressures up to 35 mbar (0.5 psi) maximum. Typical applications are cooking equipment, wall heaters, gas dryers, agricultural heaters and other heating equipment. Field-serviceable regulator conversion kits are available to switch from LP to natural gas or natural gas to LP; see page 86.

Specifications

- Maximum working pressure: 100 mbar
- Available voltages: 12 VDC, 25 VDC, 25 VAC, 120 VAC, 240 VAC
- Inlet/Outlet sizes: 1/2, 3/4 NPT or BSPT
- Pilot/Pressure tap sizes: 1/8 NPT or BSPT
- Permissible ambient (surface) temperature: -29° to 79°C (-20° to 175°F)
- Natural gas capacity Btu/hr at 1 in. pressure drop: 190,000

Agency Listing

- EC Type Examination Certification number CE 689492 GAR
- CSA (AGA/CGA) Certificate number 229521-1656041
- Australian Gas Association certificate number 7934



Selection Chart

| Part Number | Inlet and Outlet Female NPT | Voltage (50/60 Hz) | Pilot Tap NPT | Pressure Tap | Regulator Adjustment |
|--------------------|-----------------------------|--------------------|-----------------------|-------------------------------------|----------------------|
| ▲ BGD278BFA-1AAAAC | 1/2 in. x 1/2 in. | 25 | None | None | None |
| ▲ BGD278BFC-1AAFDC | 1/2 in. x 1/2 in. | 25 | 1/8-27 right | 1/8-27 NPT right, 1/4 in. cc bottom | Bottom/Natural |
| ▲ BGD278BFE-1ABGDC | 1/2 in. x 1/2 in. | 25 | 1/8-27 left and right | M5 x 0.8 bottom | Top/Natural |

▲ means bulk pack is available upon request.

Notes: DIN connectors are available; see Accessory section on page 82.
Inlet screen available upon request.



BASO Gas Products LLC

GM-7000 Series Redundant Gas Valve Class B

Electrically Operated
Gas Valves

Description

GM-7000 Series gas valves provide fully automatic control for light commercial heating, commercial cooking appliances, commercial tumbler dryers and similar applications. Pilot gas is regulated based on the valve regulation setting. The GM-7000 can be used with natural gas, LP or LP-air mixed gas at pressures up to 35 mbar (0.5 psi). Field-serviceable regulator conversion kits are available to switch from LP to natural gas or natural gas to LP; see page 80.

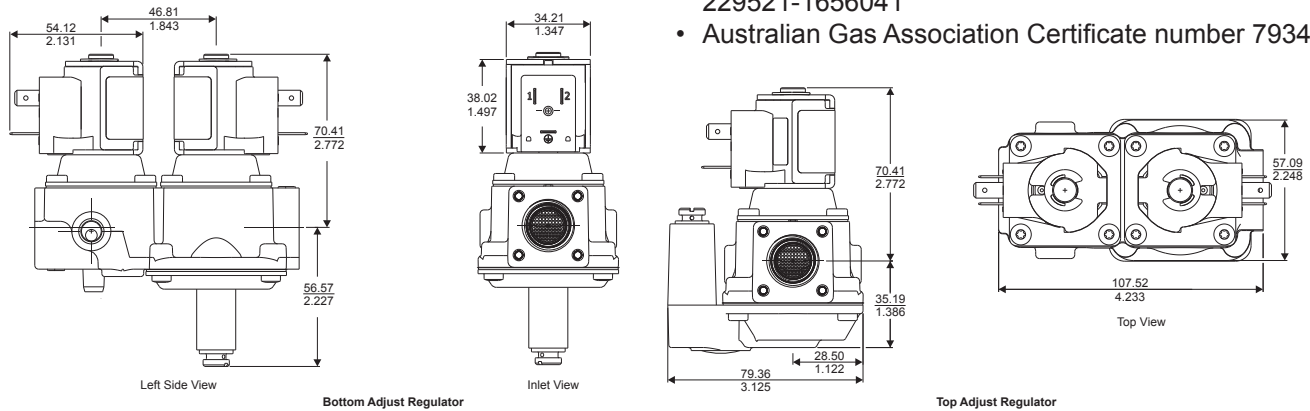
Specifications

- Maximum working pressure: 50 mbar
- Natural gas capacity Btu/hr at 1 in. pressure drop: 100,000
- Permissible ambient (surface) temperature: -29° to 79°C (-20° to 175°F)



Agency Listing

- EC Certificate number CE 692401 GAR
- CSA (AGA/CGA) Certificate number 229521-1656041
- Australian Gas Association Certificate number 7934



GM-7000 Dimensions (mm/in.)

Selection Chart

| Part Number | Inlet and Outlet Female | Voltage (50/60 Hz) | Pilot Tap | Pressure Tap | Regulator Location |
|-----------------|-------------------------|--------------------|------------------------|-----------------|--------------------|
| ▲ GM-7532-3856C | 1/2 BSPT x 1/2 in. BSPT | 25 | 7/16-24 UNS-2B plugged | M5 x 0.8 Bottom | Bottom |
| ▲ GM-7532-3858C | 1/2 BSPT x 1/2 in. BSPT | | | | |
| ▲ GM-7532-3860C | 1/2 BSPT x 1/2 in. BSPT | | | | |
| ▲ GM-7514-3850C | 1/2 in. x 1/2 in. NPT | | | | |
| ▲ GM-7534-3850C | 1/2 in. x 1/2 in. NPT | | | | |

▲ means bulk pack is available upon request.

Note: DIN connectors are available; see Accessory section page 82.

GM7000 to BGD258 Conversion

| Part Number | BGD Replacement | Functional or Exact Replacement |
|--------------------------|-------------------|---------------------------------|
| GM-7532-3856C | BGD258VBC-1CADDCC | Exact |
| GM-7532-3858C | BGD258VBC-1CADDCC | Exact |
| GM-7532-3860C | BGD258BBC-1CADDCC | Exact |
| GM-7514-3850C (70457302) | BGD258BBA-1CADDCC | Exact |
| GM-7534-3850C (70457301) | BGD258VBC-1CADDCC | Exact |



BASO Gas Products LLC

G960 Series Redundant Gas Valve Class B

Description

G960 Series multi-function gas valves are a combination main and pilot valve designed to use in conjunction with solid-state sequence control units on direct burner or intermittent pilot ignition systems. Pilot gas is regulated based on the valve regulation setting. The G960 valve can be used with natural gas, LP and LP-mixed gas. Typical applications include central heating units, makeup air heaters, process burners, commercial cooking equipment and similar applications. Field-serviceable regulator conversion kits are available to switch from LP to natural gas or natural gas to LP; see page 86.

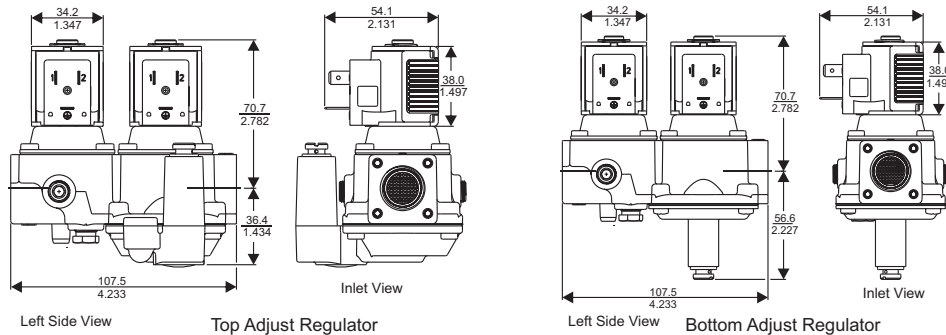
Specifications

- Maximum working pressure: 50 mbar
- Available voltage: 25 VAC
- Inlet/Outlet size: 1/2 NPT or BSPT
- Pilot/Pressure Tap size: 1/8 NPT or BSPT
- Permissible ambient (surface) temperature: -29° to 79°C (-20° to 175°F)
- Natural gas capacity Btu/hr at 1 in. pressure drop: 130,000



Agency Listing

- EC Type Examination Certification number CE 692401 GAR
- CSA (AGA/CGA) Certificate number 229521-1656041



G960 Dimensions (mm/in.)

Selection Chart

| Part Number | Inlet and Outlet Female NPT | Voltage (50/60 Hz) | Pilot Tap NPT | Pressure Tap NPT | Regulator Adjustment |
|-----------------|-----------------------------|--------------------|---------------|-----------------------|----------------------|
| ▲ G960BAADEA-1C | 1/2 in. x 1/2 in. | 25 | None | 1/8-27 left and right | None |
| ▲ G960BBCBGA-1C | | 25 | 1/8-27 right | 1/8-27 left | Top Right |
| ▲ G960BCCBCA-1C | | 25 | 1/8-27 right | 1/8-27 left | Bottom |

▲ means bulk pack is available upon request.

Note: DIN connectors are available; see Accessories section page 82.

G960 to BGD278 Conversion

| Part Number | BGD Replacement | Functional or Exact Replacement |
|---------------|------------------|---------------------------------|
| G960BAADEA-1C | BGD278BFE-1ABAGC | Functional |
| G960BBCBGA-1C | BGD278BFE-1BCCBC | Functional |
| G960BCCBCA-1C | BGD278BFC-1CACBC | Functional |



BASO Gas Products LLC

G96 Series

Description

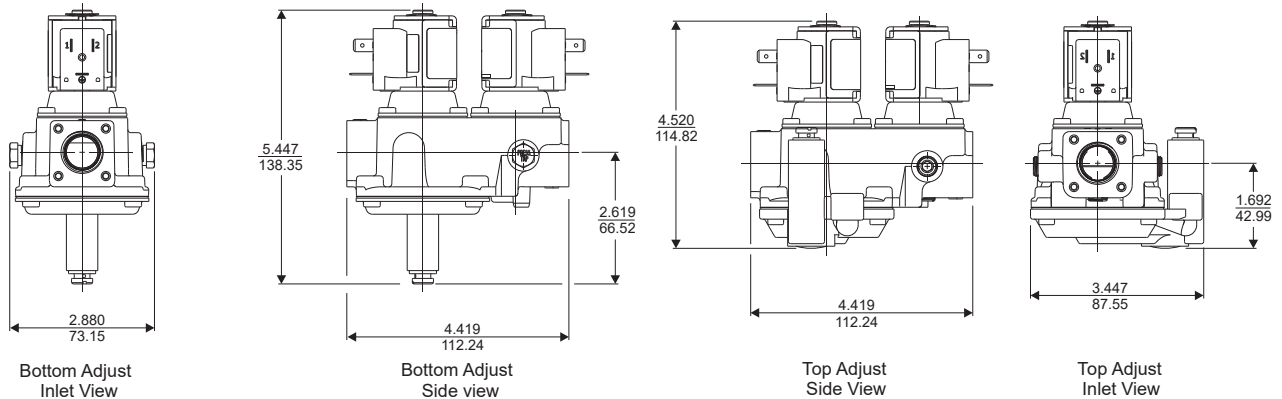
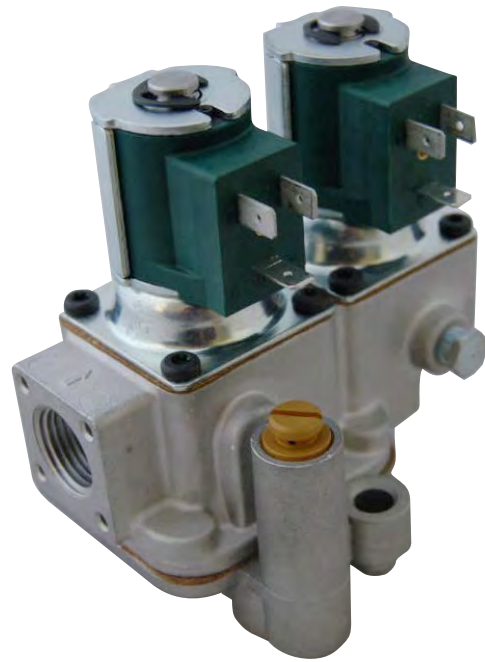
G96 Series combination valves have a dual operator combined with a pressure regulator. Pilot gas is regulated based on the valve regulation setting. Typical applications include heaters, rooftop units, commercial dryers, commercial cooking equipment and similar applications. The G96 can be used with natural gas or LP at pressures up to 0.5 psi and comes with an adjustable regulator. Field-serviceable regulator conversion kits are available to switch from LP to natural gas or natural gas to LP; see page 86. The G96 is available with various cover options.

Specifications

- Rated inlet pressure: 0.5 psi
- Available voltages: 25 VAC, 120 VAC, 240 VAC
- Inlet/Outlet sizes: 1/2, 3/4 NPT
- Pilot/Pressure tap size: 1/8 NPT
- Permissible ambient (surface) temperature: -20° to 175°F (-29° to 79°C)
- Natural gas capacity Btu/hr at 1 in. pressure drop: 190,000

Agency Listing

- CSA (AGA/CGA) Certificate number 229521-1656041
- Australian Gas Association Certificate number 3495 (G96HGA, G96HAA, G96HGC, G96SHA)



G96 Series Dimensions (mm/in.)

Selection Chart

| | Part Number | Inlet and Outlet Female NPT | Voltage (60 Hz) | Pilot Tap NPT | Pressure Tap NPT | Regulator Adjustment Location | Electrical Connection |
|---|-------------|-----------------------------|-----------------|-----------------------|------------------|-------------------------------|-----------------------|
| ▲ | G96AAQ-4C | 1/2 in. x 1/2 in. | 120 | 1/8-27 left | 1/8-27 bottom | None | 1/4 tab |
| ▲ | G96HAA-2C | | 120 | None | 1/8-27 left | Top left | 1/4 tab |
| ▲ | G96HAA-4C | | 120 | 1/8-27 left and right | 1/8-27 bottom | Top right | 30" leads |
| ▲ | G96HAA-5C | | 120 | 1/8-27 left | None | Top left | 1/4 tab |
| ▲ | G96HAA-8C | | 120 | 1/8-27 left and right | 1/8-27 bottom | Top right | 1/4 tab |
| ▲ | G96HAC-1C | | 120 | 1/8-27 left | None | Top left | 1/4 tab |
| ▲ | G96HGA-1C | | 25 | 1/8-27 right | 1/8-27 bottom | Top right | 30" leads |
| ▲ | G96HGA-4C | | 25 | 1/8-27 left and right | 1/8-27 bottom | Top right | 1/4 tab |
| ▲ | G96HGA-7C | | 25 | 1/8-27 left | 1/8-27 bottom | Top left | 1/4 tab |
| ▲ | G96HGA-17C | | 25 | 1/8-27 right | 1/8-27 left | Top right | 1/4 tab |
| ▲ | G96HGA-25C | | 25 | 1/8-27 right | 1/8-27 left | Top right | 1/4 tab |
| ▲ | G96HGC-9C | | 25 | 1/8-27 left and right | 1/8-27 bottom | Top right | 1/4 tab |
| ▲ | G96HGH-3C | | 25 | 1/8-27 right | 1/8-27 bottom | Bottom | 40" leads |
| ▲ | G96HGH-5C | | 25 | 1/8-27 left | 1/8-27 bottom | Bottom | 20" leads |
| ▲ | G96HGK-1C | | 25 | 1/8-27 left | 1/8-27 bottom | Bottom | 20" leads |
| | G96JGA-2C | 1/2 in. x 3/4 in. | 25 | 1/8-27 left and right | 1/8-27 bottom | Top left | 1/4 tab |

▲ means bulk pack is available upon request.

Note: DIN connectors are available; see Accessories section page 82.



BASO Gas Products LLC

G96 Series Hi/Lo Solenoid Gas Valve

Electrically Operated
Gas Valves

Description

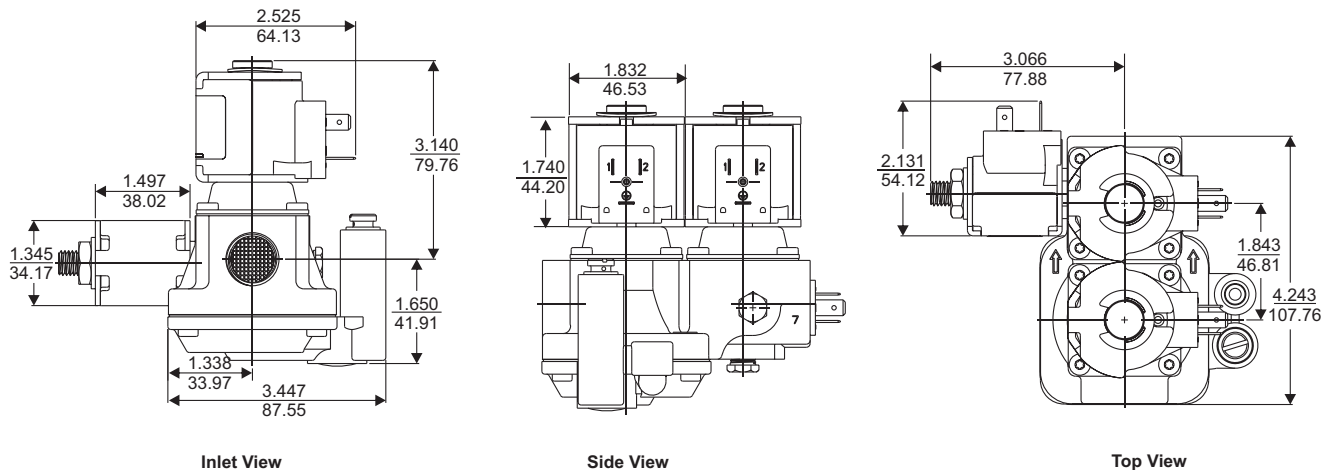
G96 Series Hi/Lo Solenoid combination gas valves have an adjustable low fire feature. Pilot gas is regulated based on the valve regulation setting. This gas valve can have either bottom or top-adjust regulation. The high/low fire feature provides a low BTU fire and hi fire as needed when opening the main coil to increase BTU output and smoother light-off when starting the main burner. Contact BASO Gas Products for other configurations. Field servicable regulator conversion kits available to switch from LP to natural gas or natural gas to LP; see page 86.

Specifications

- Rated inlet pressure: 0.5 psi
- Available voltage: 12 VDC, 25 VDC, 25 VAC, 120 VAC, 240 VAC
- Inlet/Outlet sizes: 1/2, 3/4 NPT or BSPP
- Pilot/Pressure tap sizes: 1/8 NPT or BSPP
- Permissible ambient (surface) temperature: -29° to 79°C (-20° to 175°F)

Agency Listing

- None



G96 Hi/Lo Dimensions (in./mm)

Selection Chart

| Part Number | Inlet and Outlet Female | Voltage (50/60 Hz) | Pilot Tap | Pressure Tap | Regulator Adjustment Location |
|----------------|-------------------------|--------------------|-------------------|--------------------|-------------------------------|
| G96EW04KBR-2AC | 1/2 BSPP x 1/2 BSPP | 240 | 1/8-28 BSPP right | 1/8-28 BSPP bottom | Top right |
| G96EW04MBR-2AC | | 120 | | | |
| G96MW04KBR-2AC | | 240 | | | |
| G96MW04MBR-2AC | | 120 | | | |

Notes: DIN connectors are available; see Accessories section page 82.
 Inlet screen available upon request.



BASO Gas Products LLC

BGE378 Series or BGF378 Series Hi/Lo Solenoid Gas Valve

Description

The BGE378 series has a selectable group of bypass seats available for the low flow ranges between 10,000 to 70,000 Btu/Hr. which is controlled by the pilot solenoid.

The BGF378 series has a selectable group of bypass seats available for the low flow ranges between 10,000 to 70,000 Btu/Hr. which is controlled by a third solenoid, which gives you the redundancy, but also lets you control the Lo flow independently from the pilot solenoid.

Both of these models can have either top or bottom adjust regulation. Both pilot and main gas will be regulated based on the valve regulation setting. Field serviceable regulator conversion kits are available to switch from natural gas to LP or LP to natural gas; see page 86.



BGE378 (Internal Bypass)



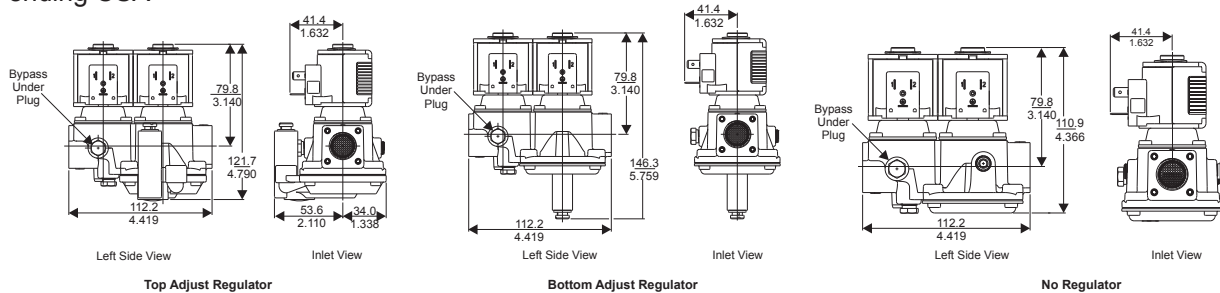
BGF378

Specifications

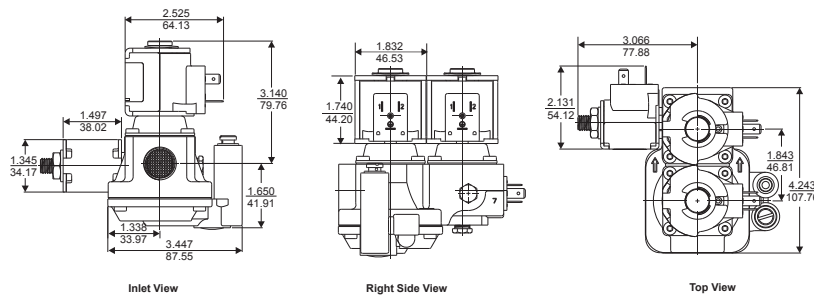
- Rated inlet pressure: 0.5 psi
- Available voltage: 12 VDC, 25 VDC, 25 VAC, 120 VAC, 240 VAC
- Inlet/Outlet sizes: 1/2, 3/4 NPT
- Pilot/Pressure tap sizes: 1/8 NPT
- Permissible ambient (surface) temperature: -29° to 79°C (-20° to 175°F)

Agency Listing

- Pending CSA



BGE378 Series Dimensions (in./mm)



BGF378 Series Dimensions (in./mm)

Notes: DIN connectors are available; see Accessories section page 82.
Inlet screen available upon request.



BASO Gas Products LLC

G96 Series Redundant Gas Valve Class B

Electrically Operated
Gas Valves

Description

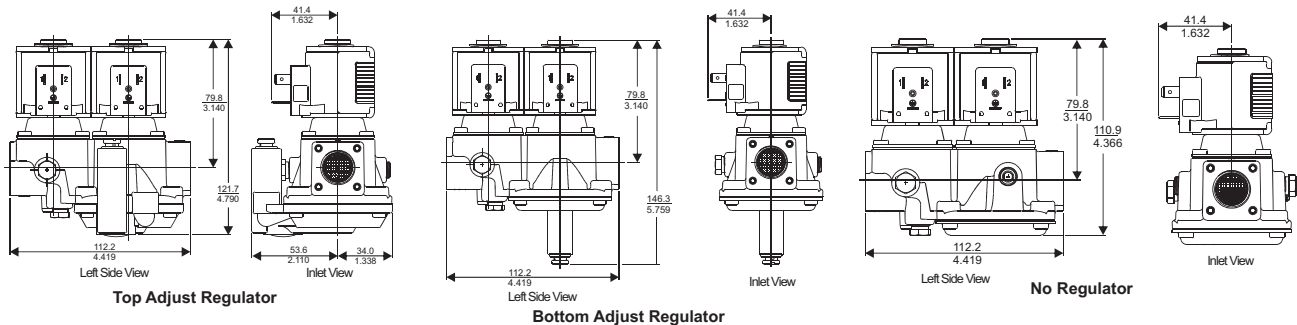
G96 Series combination gas valves have a dual operator combined with a pressure regulator for intermittent pilot ignition systems. Pilot gas is regulated based on the valve regulation setting. Typical applications include heaters, process burners, commercial dryers, commercial cooking equipment, rooftop units and similar applications. The G96 can be used with natural gas or LP, at pressures up to 35 mbar (0.5 psi). Field-serviceable regulator conversion kit available; see page 86.

Specifications

- Maximum working pressure: 100 mbar
- Available voltage: 25 VAC
- Inlet/Outlet size: 1/2 NPT or BSPP
- Pilot/Pressure tap size: 1/8 NPT or BSPP
- Permissible ambient (surface) temperature: -29° to 79°C (-20° to 175°F)
- Natural gas capacity Btu/hr at 1 in. pressure drop: 190,000

Agency Listing

- EC Type Examination Certification number CE 689492 GAR
- CSA (AGA/CGA) Certificate number 229521-1656041



G96 Dimensions (mm/in.)

Selection Chart

| Part Number | Inlet and Outlet Female | Voltage (50/60 Hz) | Pilot Tap NPT | Pressure Tap | Regulator Adjustment Location |
|------------------|-------------------------|--------------------|-----------------------|----------------------------|-------------------------------|
| ▲ G96LT04HBL-7HC | 1/2 in. x 1/2 in. NPT | 25 | None | 1/8-27 NPT left and right | None |
| ▲ G96LT04HBR-7HC | 1/2 BSPP x 1/2 BSPP | 25 | None | 1/8-28 BSPP left and right | None |
| ▲ G96MG04HBL-8NC | 1/2 in. x 1/2 in. NPT | 25 | 1/8-27 left and right | 1/8-27 NPT bottom | Top |
| ▲ G96TG04HBR-7AC | 1/2 BSPP x 1/2 BSPP | 25 | 1/8-27 left and right | 1/8-27 NPT bottom | Top |

▲ means bulk pack is available upon request.

Note: DIN connectors are available; see Accessories section page 82.



BASO Gas Products LLC

G195 Series Combination Gas Valve With Manual "A" Shut-off Valve

Description

G195 Series automatic combination valves have a single operator combined with a pressure regulator and manual "A" valve. Pilot gas is regulated based on the valve regulation setting. Typical applications include unit heaters, rooftop units, agricultural heaters, commercial cooking equipment and similar applications. The G195 can be used with natural gas or LP at pressures up to 0.5 psi and comes with an adjustable regulator. Field-serviceable regulator conversion kits are available to switch from LP to natural gas or natural gas to LP; see page 86.

Specifications

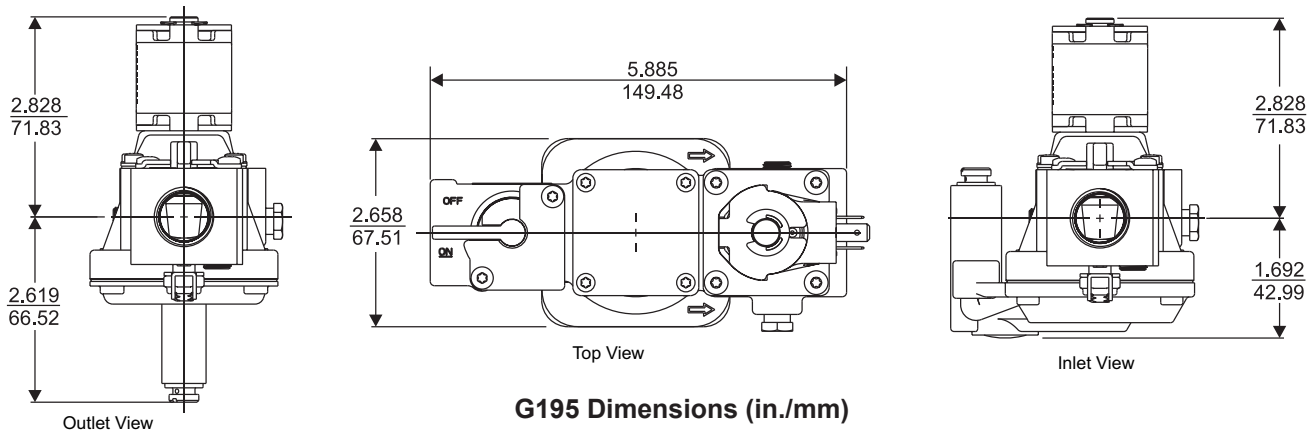
- Rated inlet pressure: 0.5 psi
- Available voltages: 25 VAC, 120 VAC
- Inlet/Outlet sizes: 3/8, 1/2 NPT
- Pilot/Pressure tap size: 1/8 NPT
- Permissible ambient (surface) temperature: -20° to 175°F (-29° to 79°C)
- Natural gas capacity Btu/hr at 1 in. pressure drop: 150,000

Agency Listing

- CSA (AGA/CGA) Certificate number 229521-1656041

Electrical Connections

- #18 AWG stranded wire or 1/4 in. male quick-connect terminals



Selection Chart

| Part Number | Inlet and Outlet Female NPT | Voltage (60 Hz) | Pilot Tap NPT | Pressure Tap NPT | Regulator Adjustment Location | Electrical Connection |
|-------------------|-----------------------------|-----------------|---------------|-------------------|-------------------------------|-----------------------|
| G195KGA-1C | 3/8 in. x 3/8 in. | 25 | None | (2) 1/8-27 Bottom | Top | 30" leads |

Note: DIN connectors are available; see Accessories section page 82.



BASO Gas Products LLC

G196 Series Redundant Gas Valve With Manual “A” Shut-Off Valve

Description

G196 Series combination gas valves have a dual operator combined with a pressure regulator and manual “A” valve. Pilot gas is regulated based on the valve regulation setting. The G196 can be used with natural gas or LP at pressures up to 0.5 psi and comes with an adjustable regulator. Typical applications include unit heaters, rooftop units, agricultural heaters, commercial cooking equipment and similar applications. Field-serviceable regulator conversion kits are available to switch from LP to natural gas or natural gas to LP; see page 86.



Specifications

- Rated inlet pressure: 0.5 psi
- Available voltages: 25 VAC, 120 VAC
- Inlet/Outlet size: 1/2 NPT
- Pilot/Pressure tap size: 1/8 NPT
- Permissible ambient (surface) temperature: -20° to 175°F (-29° to 79°C)
- Natural gas capacity Btu/hr at 1 in. pressure drop:
175,000
155,000 for G196NGH-1

- CSA (AGA/CGA) Certificate number 229521-1656041
- Australian Gas Association Certificate number 3495 (G196HGH, G196NGH)

Electrical Connections

- #18 AWG stranded wire or 1/4 in. male quick-connect terminals

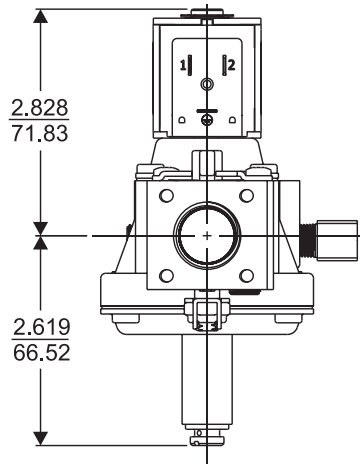
Agency Listing

Selection Chart

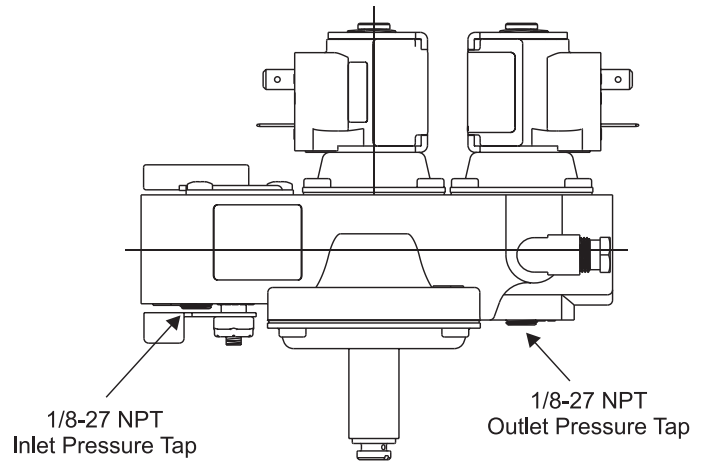
| | Part Number | Inlet and Outlet Female NPT | Voltage (50/60 Hz) | Pilot Tap | Pressure Tap NPT | Regulator Adjustment Location | Electrical Connection |
|---|-------------|-----------------------------|--------------------|---------------------------|------------------|-------------------------------|-----------------------|
| ▲ | G196HGH-2C | 1/2 in. x 1/2 in. | 25 | 1/4 in. cc right | 1/8-27 bottom | Bottom | 1/4 tab |
| ▲ | G196HGH-7C | | 25 | 1/8-27 NPT left and right | 1/8-27 bottom | Bottom | 18" leads |
| ▲ | G196HGK-2C | | 25 | 1/8-27 NPT left and right | 1/8-27 bottom | Bottom | 18" leads |
| ▲ | G196JGA-1C | 1/2 in. x 3/4 in. | 25 | 1/8-27 NPT left and right | 1/8-27 bottom | Top right | 1/4 tab |
| ▲ | G196NGH-1C | 1/2 in. x 3/8 in. | 25 | 1/4 in. cc right | 1/8-27 bottom | Bottom | 1/4 tab |

▲ means bulk pack is available upon request.

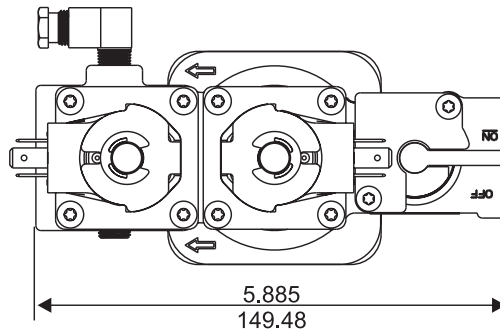
Note: DIN connectors are available; see Accessories section page 82.



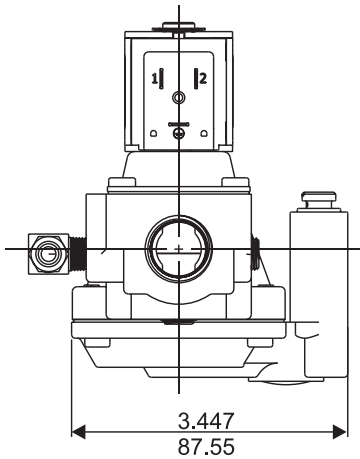
**Inlet View
Bottom Adjust Regulator**



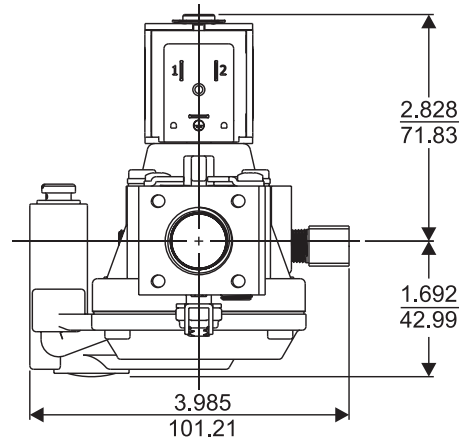
**Right Side View
Bottom Adjust Regulator**



**Top View
Bottom Adjust Regulator**



**Inlet View
Top Adjust Right Regulator**



**Inlet View
Top Adjust Left Regulator**

G196 Dimensions (in./mm)



BASO Gas Products LLC

BGQ15HAA-1 Retrofit Gas Control System

Description

The BGQ15 system uses a solid-state electronic ignition control to light a pilot burner by spark. Pilot gas is regulated based on the valve regulation setting. Pilot gas ignites and burns during each running cycle. The BGQ15 is typically used when converting a standing pilot application to a more fuel-efficient intermittent spark pilot system. It permits the main gas valve to open only when the pilot burner is proven to be lit. The BGQ15 can be used with gas burning equipment that uses a proven pilot (natural gas applications only). With its fast response to flame loss, the BGQ15 is ideal for power vent or gravity vent equipment.

Parts Included

- (1) BGD278JBE-20BCGD gas valve
- (1) C64AHA-1 spark ignition control
- (1) Rajah adapter
- (4) 1/4 inch female quick connects
- (1) Sensing probe cable
- (1) 1/8 inch NPT to 1/4 cc elbow fitting
- (1) Reducer bushing (3/4 to 1/2 NPT)
- (1) Y75RJ-1 retrofit sensor probe kit:
 - (1) Sensor probe extension
 - (1) Bushing
 - (2) Spacers
 - (1) Cone shaped nut

retrofit package installation diagram and a pressure sensitive lighting Caution sticker

Specifications

- Rated inlet pressure: 0.5 psi
- Available voltage: 25 VAC, 50/60 Hz
- Inlet/Outlet size: 1/2 NPT inlet x 3/4 NPT outlet
- Pilot/Pressure tap size: 1/8 NPT
- Permissible ambient (surface) temperature: -20° to 175°F (-29° to 79°C)
- Natural gas capacity Btu/hr at 1 in. pressure drop: 190,000

Agency Listing

- None

Electrical Connections

- 1/4 in. male quick-connect terminals





BASO Gas Products LLC

VLV Series Universal Replacement Gas Valve

Description

VLV Series universal replacement gas valves provide an electronic-proven pilot ignition combined with a valve (for example, G60 and Q15 which have an ignition control with an exposed bottom). Pilot gas is regulated based on the valve regulation setting. The VLV can be used on appliances burning natural gas or LP at pressures up to 0.5 psi, and comes with or without an adjustable regulator. Field-serviceable regulator conversion kits are available to switch from LP to natural gas or natural gas to LP; see page 86. All VLV replacement valves are factory set for use with natural gas.

Specifications

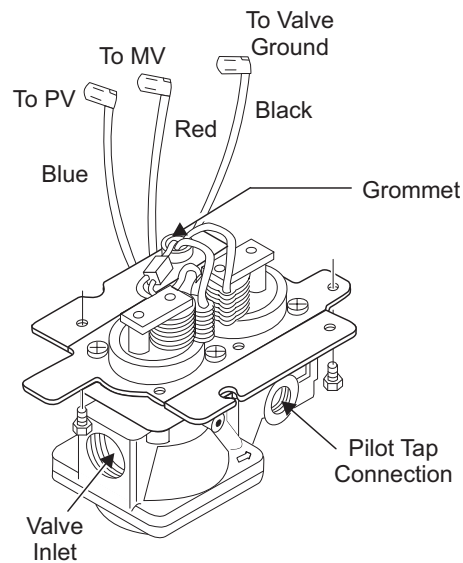
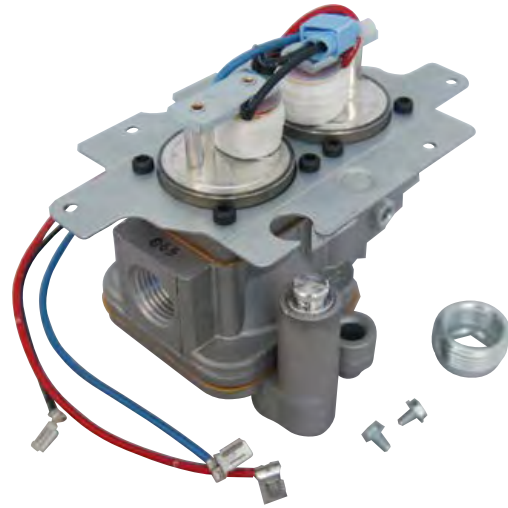
- Rated inlet pressure: 0.5 psi
- VLV34A permissible ambient (surface) temperature: -20° to 175°F (-29° to 79°C)
- VLV49A permissible ambient (surface) temperature: -40° to 175°F (-40° to 79°C)
- Natural gas capacity Btu/hr at 1 in. pressure drop: 190,000
- Includes a 3/4 to 1/2 NPT reducer bushing

Agency Listing

- None

Electrical Connections

- #18 AWG stranded wire with 1/4 in. female quick-connect terminals.



Typical VLV Wiring

Selection Chart

| Part Number | Inlet and Outlet Female NPT | Voltage (60 Hz) | Pilot Tap NPT | Pressure Tap NPT | Regulator Adjustment Location | Electrical Connection |
|-------------|-----------------------------|-----------------|-----------------------|------------------|-------------------------------|-----------------------|
| VLV34A-609R | 1/2 in. x 1/2 in. | 25 | 1/8-27 left | 1/8-27 bottom | Top | 13" leads |
| VLV34A-648R | 1/2 in. x 3/4 in. | 25 | 1/8-27 left and right | 1/8-27 bottom | Top | 13" leads |
| VLV49A-600R | | 25 | 1/8-27 left and right | 1/8-27 bottom | Bottom | 8.5" leads |
| VLV49A-601R | | 25 | 1/8-27 left and right | 1/8-27 bottom | Top | 8.5" leads |
| VLV49A-602R | | 25 | 1/8-27 left and right | 1/8-27 bottom | None | 8.5" leads |



BASO Gas Products LLC

KIT-VLV Universal Replacement Gas Valve Mounting Plate

Description

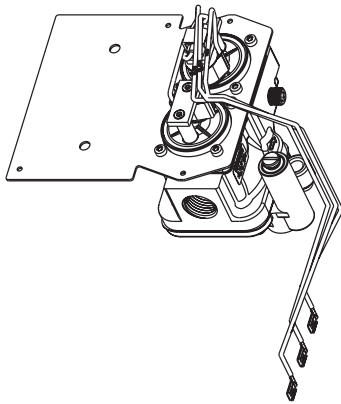
KIT-VLV is used for replacing a Johnson Controls Ignition module with a new BASO® ignition module.

Kit Includes:

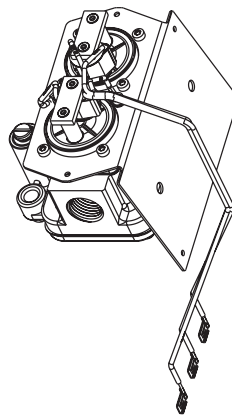
- Flat, Downward or Upward Mounting Plate
- Black Cover
- Black Grommet
- Blue Connector
- (2) #6 x 5/16" Screws (Mount Cover)
- (2) #6 x 5/8" Screws (Mount Ignition)
- Installation instructions

Agency Listing

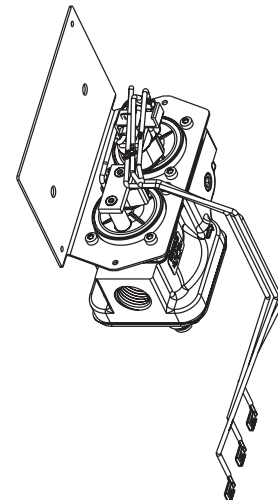
- None



KIT-VLV10A-600
Flat Mounting Plate
(Generic Replacement)



KIT-VLV10A-601
Downward Mounting Plate



KIT-VLV10A-602
Upward Mounting Plate

Mounting Plate Options for Ignition



BASO Gas Products LLC

B21 Series Redundant Gas Valve

Description

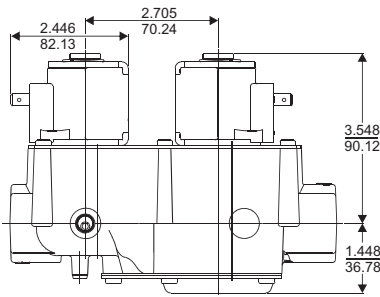
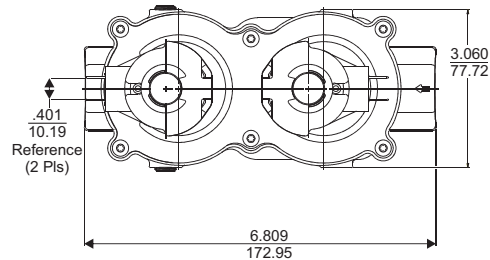
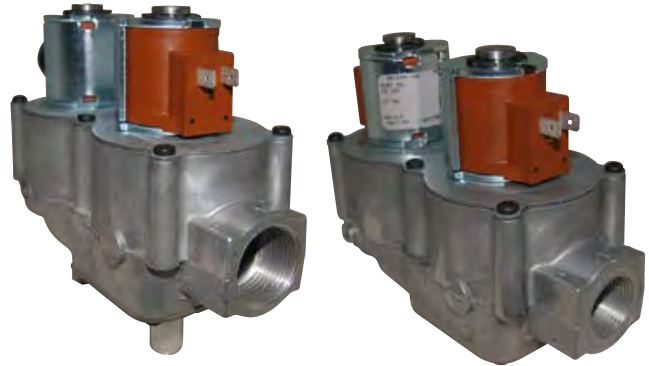
B21 Series redundant combination gas valves are the largest capacity valve BASO® manufactures. The valve comes with or without a bottom adjust pressure regulator and can be used with natural gas or LP at pressures up to 0.5 psi. Field-serviceable regulator conversion kits are available to switch from natural gas to LP or LP to natural gas. Call BASO® Gas Products for more information concerning the valve configuration.

Specifications

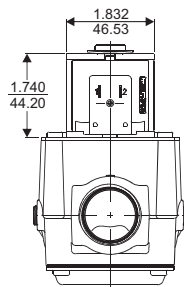
- Rated inlet pressure: 0.5 psi
- Available voltages: 12 VDC, 24 VDC
- Inlet/Outlet sizes: 3/4 or 1 NPT or BSPT
- Pilot/Pressure tap sizes: 1/8 NPT or BSPT
- Permissible ambient (surface) temperature: -40° to 175°F (-40° to 79°C)

Agency Listing

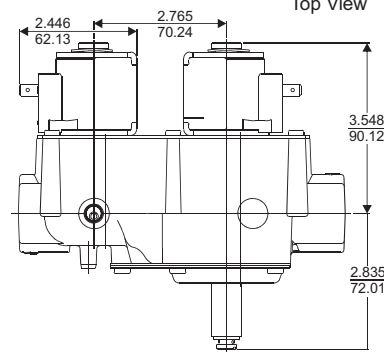
- UL recognized (pending) on the regulator version; call BASO® for availability.
- UL Recognized File number MH5939 B21XXA only.



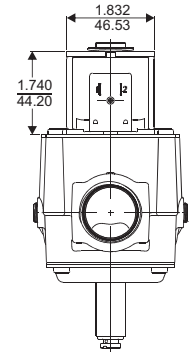
No Regulator
Left Side View



No Regulator
Inlet View



Bottom Adjust
Left Side View



Bottom Adjust
Inlet View

B21 Dimensions (in./mm)

Selection Chart

| Part Number | Inlet and Outlet Female NPT | Natural Gas Capacity Btu/hr at 1 in. Pressure Drop | Voltage | Pilot Tap NPT | Pressure Tap NPT | Regulator Adjustment |
|---------------|-----------------------------|--|---------|---------------|--------------------------|----------------------|
| ▲ B21EAA-1AGC | 3/4 in. x 3/4 in. | TBD | 12 VDC | None | Main 1/8-27 right & left | None |
| ▲ B21FAA-1AGC | 1 in. x 1 in. | TBD | 12 VDC | None | Main 1/8-27 right & left | None |
| ▲ B21EAC-1AGC | 3/4 in. x 3/4 in. | TBD | 12 VDC | None | Main 1/8-27 right & left | Bottom |
| ▲ B21FAC-1AGC | 1 in. x 1 in. | TBD | 12 VDC | None | Main 1/8-27 right & left | Bottom |

▲ means bulk pack is available upon request.

Notes: DIN connectors are available; see Accessory section page 82.

Inlet screens available upon request.



Thermocouple Operated Gas Valves





BASO Gas Products LLC

G292 Series Dual Pilot Valve

Description

G292 Series are redundant pilot gas valves designed to use with a dual burner system that requires a continuously burning standing pilot at two burners. The valves are in series so when one valve goes out they both go out. The G292 valve can be used with natural gas or LP at pressures up to 0.5 psi. Typical applications include commercial cooking equipment and similar applications.

Specifications

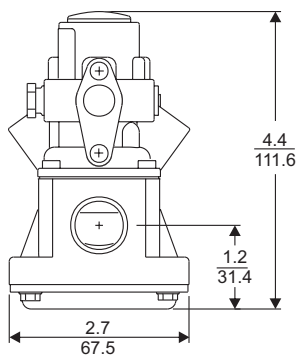
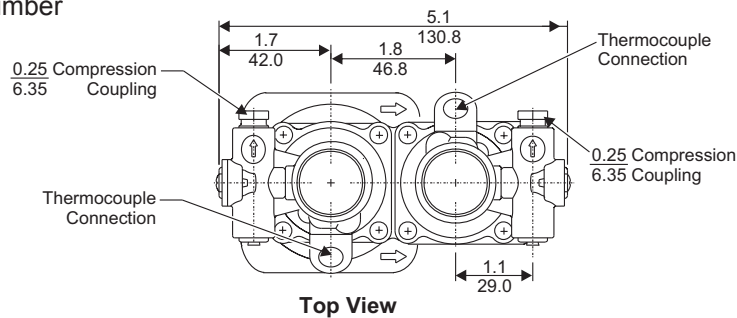
- Rated inlet pressure: 0.5 psi
- Natural gas capacity Btu/hr at 1 in. pressure drop: 240,000
- Permissible ambient (surface) temperature: -30° to 175°F (-34° to 79°C)

Agency Listing

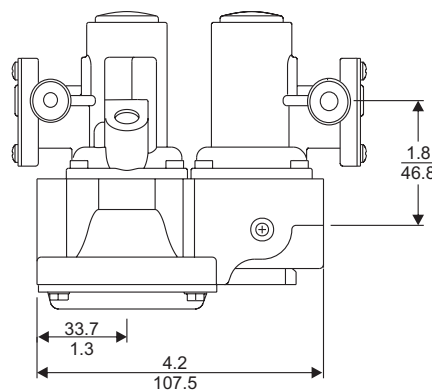
- CSA (AGA/CGA) Certificate number 229521-1656050



Thermocouple Operated Gas Valves



Inlet View



Right Side View

G292 Dimensions (in./mm)

Selection Chart

| Part Number | Inlet and Outlet Female NPT | Pilot Tap | Pressure Tap |
|-------------|-----------------------------|-----------------|--------------|
| ▲ G292AA-1C | 1/2 in. x 1/2 in. | 1/4 in. cc left | None |

▲ means bulk pack is available upon request.

Note: R23244-3H Red Button Replacement, bulk pack of 4; see page 91.

BASO recommends using only BASO thermocouples that come from the original equipment manufacturer to provide optimum performance for your safety shutoff valve.



BASO Gas Products LLC

G92 Series BASOTROL® Non-Regulated Combination Gas Valve

Description

G92 Series gas valves combine automatic pilot valve and automatic gas valve functions into one valve. The G92 valve can be used with natural gas or LP at pressures up to 0.5 psi. Typical applications include commercial dryers, heaters, agricultural equipment and similar applications. The G92 is available with various cover options. The optional pilot adjust valve allows for pilot flame adjustment.

Specifications

- Rated inlet pressure: 0.5 psi
- Natural gas capacity Btu/hr at 1 in. pressure drop: 240,000
- Permissible ambient (surface) temperature:
-30° to 175°F (-34° to 79°C) models without pilot adjust
32° to 175°F (0, to 79°C) models with pilot adjust

Agency Listing

- CSA (AGA/CGA) Certificate number 229521-1656050 (*excludes G92CSA-5)
- UL Recognized File number MH2926

Electrical Connections

- #18 AWG stranded wire or 1/4 in. male quick-connect terminals



Thermocouple Operated Gas Valves

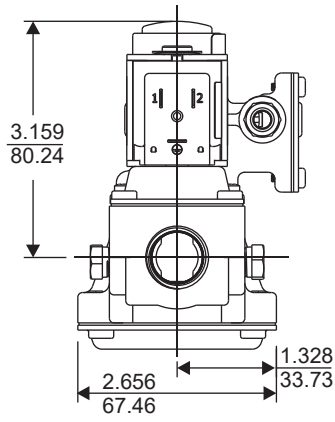
Selection Chart

| | Part Number | Inlet and Outlet Female NPT | Voltage (60 Hz) | Pilot Tap | Pressure Tap NPT | Pilot Gas Flow/Pilot Adjust Valve | Electrical Connection | |
|---|-------------|-----------------------------|-------------------|--------------------------------|-----------------------|-----------------------------------|-----------------------|-----------|
| ▲ | G92CAA-19C | 1/2 in. x 1/2 in. | 120 | 1/4 in. cc left | 1/8-27 left and right | Internal/No | 18" leads | |
| ▲ | G92CAB-14C | | 120 | 1/4 in. cc left | 1/8-27 left and right | Internal/Yes | 30" leads | |
| ▲ | G92CAC-5C | | 120 | 1/8-27 NPT and 1/4 in. cc left | None | External/No | 30" leads | |
| ▲ | G92CAC-7C | | 120 | (2) 1/4 in. cc left | None | External/No | 30" leads | |
| ▲ | G92CBA-9C | | 240 | 1/4 in. cc left | 1/8-27 bottom | Internal/No | 1/4 tab | |
| ▲ | G92CBA-10C | | 240 | 1/4 in. cc left | 1/8-27 left and right | Internal/No | 30" leads | |
| | G92CBB-4C | | 240 | 1/4 in. cc left | 1/8-27 left and right | Internal/Yes | 30" leads | |
| | G92CGB-1C | | 25 | 1/4 in. cc right | None | Internal/Yes | 1/4 tab | |
| | G92CGB-11C | | 25 | 1/4 in. cc left | 1/8-27 left and right | Internal/Yes | 1/4 tab | |
| ▲ | G92CSA-5C | | 208/240 | 1/4 in. cc left | 1/8-27 bottom | Internal/No | 30" leads | |
| | G92DAB-1C | | 1/2 in. x 3/4 in. | 120 | 1/4 in. cc left | None | Internal/Yes | 30" leads |

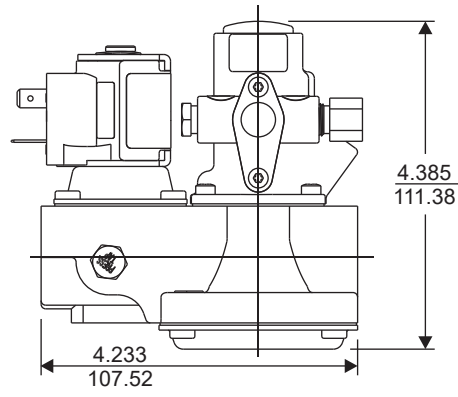
▲ means bulk pack is available upon request.

Note: R23244-3H Red Button Replacement, bulk pack of 4; see page 91.

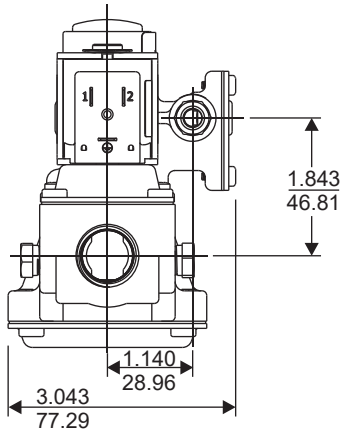
BASO recommends using only BASO thermocouples that come from the original equipment manufacturer to provide optimum performance for your safety shutoff valve.



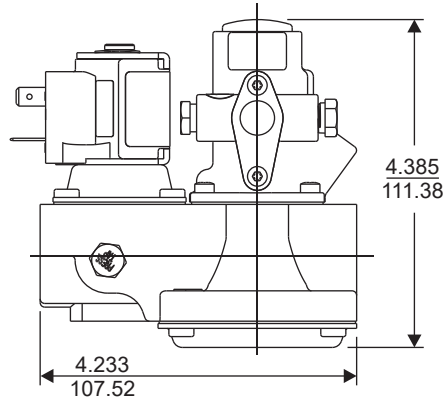
Inlet View
External Pilot Flow Valve



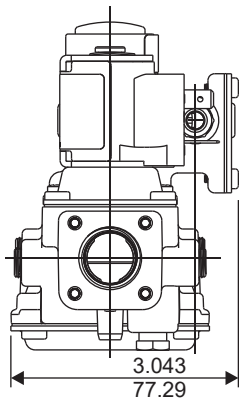
Left Side View
External Pilot Flow Valve



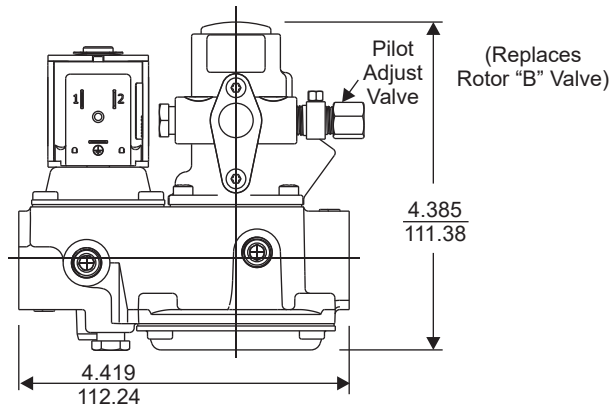
Inlet View
Internal Pilot Flow Valve



Left Side View
Internal Pilot Flow Valve



Inlet View
Internal Pilot Flow Valve w/Pilot Adjust Valve



Left Side View
Internal Pilot Flow Valve w/Pilot Adjust Valve



BASO Gas Products LLC

H25 Series Dual Independent Outlets 100% Automatic Shut-off Pilot Safety Valve

Description

The H25 Series valve is designed to be used in applications where you can control two independent burners with one input. Both outputs are controlled by two independent flame supervised safety shut-off valves. Applications for this valve are in commercial cooking, heating equipment and other applications where controlling two independent burners are a necessity for heat control. Mounting of the valve can be in any convenient position. Optional 3/8" or 1/2" side porting available (contact BASO for more information).

Specifications:

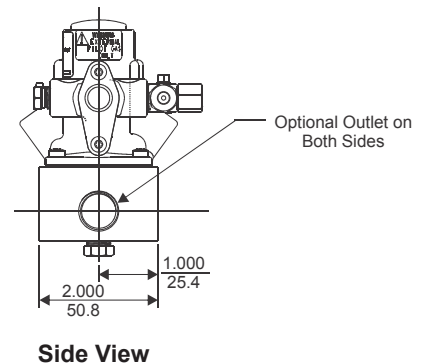
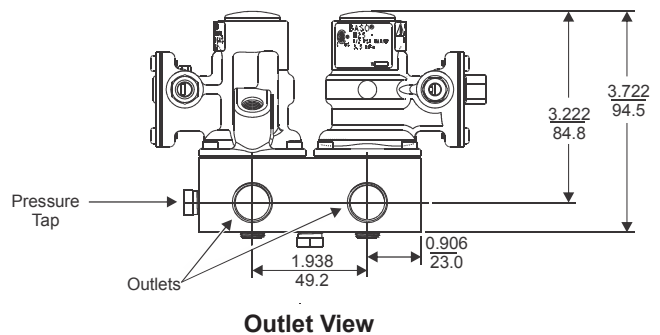
- Pressure rating: 0.5 psi (3.5kPa)
- Ambient surface temperatures:
 - 30 to 175° F for Models H25_A or H25_B.
 - 32 to 300° F for Models H25_C or H25_D.
- Inlet and Outlet body connections: 3/8-18 NPT, 3/8-19 BSPT; 1/2-14 NPT, 1/2-14 BSPT
- Pilot connections: 1/8-27 NPT or compression for tubing sizes 1/8" to 1/4", also available with pilot adjustment.
- Flow Capacity @ 1.0" wc pressure drop:
 - 3/8" NPT or BSPT 178,000 single port or 329,000 dual port
 - 1/2" NPT or BSPT 189,000 single port or 374,000 dual port
- Types of gases: Natural, liquefied petroleum (LP), and LP gas-air mixtures.

Agency Listing

- CSA (AGA/CGA) 229521-1656080



Note: R23244-3H Red Button Replacement, bulk pack of 4; see page 91.



Thermocouple Operated
Gas Valves

BASO recommends using only BASO thermocouples that come from the original equipment manufacturer to provide optimum performance for your safety shutoff valve.



BASO Gas Products LLC

G93 Series Regulated Combination Gas Valve

Description

G93 Series gas valves combine automatic pilot valve, pressure regulator and automatic gas valve functions into one valve. The G93 valve can be used with natural gas or LP at pressures up to 0.5 psi and comes with an adjustable regulator. Typical applications include commercial cooking equipment, heaters, agricultural equipment and similar applications. Field-serviceable regulator conversion kits are available to switch from natural gas to LP or LP to natural gas; see page 86. The G93 is available with various cover options. The optional pilot adjust valve allows for pilot flame adjustment.

Specifications

- Rated inlet pressure: 0.5 psi
- G93AXX Natural gas capacity Btu/hr at 1 in. pressure drop: 190,000
- G93HSB-1 Natural gas capacity Btu/hr at 1 in. pressure drop: 170,000
- Permissible ambient (surface) temperature: 32° to 155°F (0° to 68°C)

Agency Listing

- CSA (AGA/CGA) Certificate number 229521-1656066 (*excludes G93HSB-1)
- UL Recognized File number MH2926

Electrical Connections

- #18 AWG stranded wire or 1/4 in. male quick-connect terminals

Selection Chart

| Part Number | Inlet and Outlet Female NPT | Voltage (60 Hz) | Pilot Tap | Pressure Tap NPT | Regulator Adjustment Location/Pilot Adjust Valve | Electrical Connection |
|--------------|-----------------------------|-----------------|------------------|------------------|--|-----------------------|
| ▲ G93AAA-16C | 1/2 in. x 1/2 in. | 120 | 1/4 in. cc left | 1/8-27 bottom | Top/No | 1/4 tab |
| ▲ G93AAB-2C | | 120 | 1/4 in. cc left | None | Top/Yes | 30" leads |
| ▲ G93AAB-6C | | 120 | 1/4 in. cc left | 1/8-27 bottom | Top/Yes | 30" leads |
| ▲ G93ABA-6C | | 240 | 1/8-27 NPT left | None | Top/No | 24" leads |
| ▲ G93ABA-9C | | 240 | 1/4 in. cc left | None | Top/No | 20" leads |
| ▲ G93ABA-11C | | 240 | 1/4 in. cc left | 1/8-27 bottom | Top/No | 1/4 tab |
| ▲ G93AGB-1C | | 25 | 1/4 in. cc right | None | Top/Yes | 1/4 tab |
| ▲ G93AGB-6C | | 25 | 1/4 in. cc right | 1/8-27 bottom | Top/Yes | 30" leads |
| ▲ G93ASL-4C | | 208/240 | 1/4 in. cc left | 1/8-27 bottom | Bottom/No | 30" leads |
| ▲ G93HSB-1C | | 208/240 | 1/4 in. cc right | None | Top/Yes | 30" leads |

▲ means bulk pack is available upon request.

Note: R23244-3H Red Button Replacement, bulk pack of 4; see page 91.

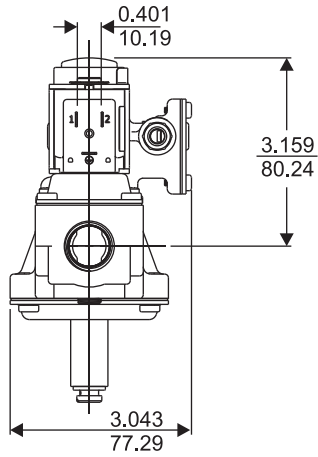
BASO recommends using only BASO thermocouples that come from the original equipment manufacturer to provide optimum performance for your safety shutoff valve.



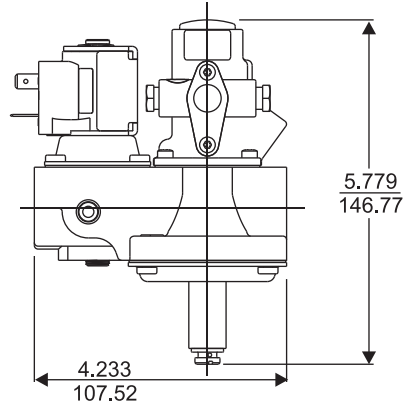
G93 with no Pilot Adjust Valve



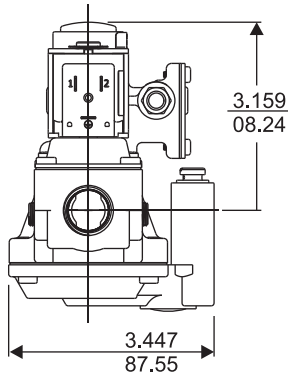
G93 with Pilot Adjust Valve



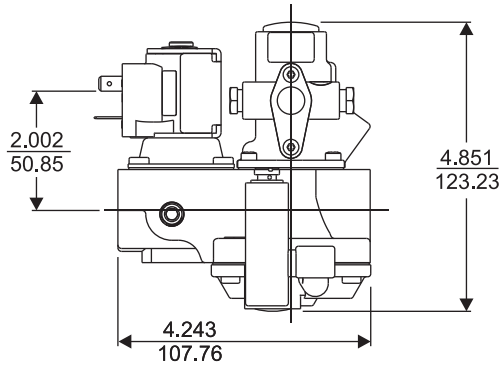
**Outlet View
Bottom Adjust Regulator**



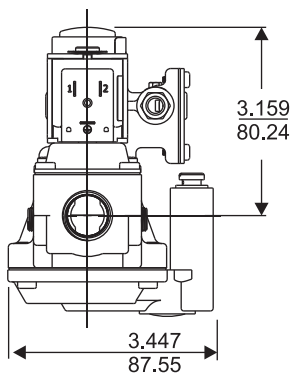
**Left Side View
Bottom Adjust Regulator**



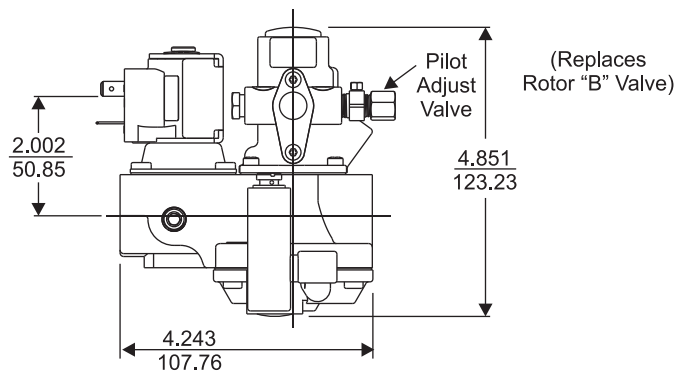
**Outlet View
Top Adjust Regulator**



**Left Side View
Top Adjust Regulator**



**Outlet View
Top Adjust Regulator**



**Left Side View
Top Adjust Regulator w/Pilot Adjust Valve**



BASO Gas Products LLC

H15 Series Automatic Shut-Off Pilot Gas Valve

Description

H15 Series automatic pilot valves provide safe lighting and complete shut-off of pilot and main burner gas if the flame heating the thermocouple is extinguished. They are designed for standing pilot applications and can be used with natural gas or LP at pressures up to 35 mbar (0.5 psi). Typical applications include commercial cooking equipment, heaters, kilns, dishwashing equipment, industrial ovens and similar applications. Sizes range from 1/4 to 1 NPT and both standard and high temperature models are available. The optional pilot adjust valve allows for pilot flame adjustment.

Specifications

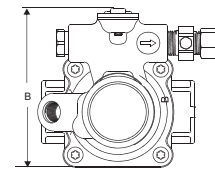
- Maximum working pressure: 35 mbar
- Permissible ambient (surface) temperature standard models:
-34° to 79°C (-30° to 175°F)
0° to 149°C (32° to 300°F) H15_B and H15_R models only
- High temperature model allows for use in valve surface temperatures up to 300°F

Agency Listing

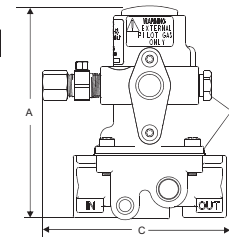
- CE Approval CE 692405 (models without pilot adjust valve)
- CSA (AGA/CGA) Certificate number 229521-1656080
- UL Recognized File number MH2926 (H15CA and -DA models only)
- Australian Gas Association Certificate number 4236 (models H15AA, -AR, -CA, -CQ, -DA, -DQ, -EQ, -FA, -FQ, -HQ and -HR only)

Dimensions

| Part Number | A Height | | B Width | | C Length | |
|---------------------------|----------|-------|---------|------|----------|------|
| | in. | mm | in. | mm | in. | mm |
| H15AB-3, -6, -7 | 3.50 | 89 | 2.22 | 56.4 | 2.95 | 75 |
| H15AR-3, -4, -6, -A9, -10 | 3.50 | 89 | 2.25 | 57 | 2.95 | 75 |
| H15CA-1 | 3.93 | 100 | 2.25 | 57 | 3.17 | 80.5 |
| H15CB-2 | 3.93 | 100 | 2.25 | 57 | 3.17 | 80.5 |
| H15CQ-3, -6 | 3.93 | 100 | 2.59 | 66 | 3.00 | 76 |
| H15DA-3, -4 | 3.93 | 100 | 2.25 | 57 | 3.17 | 80.5 |
| H15DB-1 | 3.93 | 100 | 2.25 | 57 | 3.17 | 80.5 |
| H15DQ-2 | 3.93 | 100 | 2.59 | 66 | 3.00 | 76 |
| H15DH-3 | 3.53 | 89.8 | 2.58 | 65.5 | 3.1 | 78.6 |
| H15EQ-3 | 4.30 | 109.3 | 3.00 | 76 | 3.50 | 89 |
| H15FA-1 | 4.65 | 118 | 2.69 | 68 | 3.50 | 89 |
| H15FQ-1 | 4.65 | 118 | 2.69 | 68 | 3.50 | 89 |
| H15HQ-5 | 3.53 | 90 | 2.56 | 65 | 2.53 | 64 |
| H15HR-2, -3, -6 | 3.53 | 90 | 2.56 | 65 | 2.53 | 64 |
| H15QR-4, -5 | 3.53 | 90 | 2.56 | 65 | 2.53 | 64 |

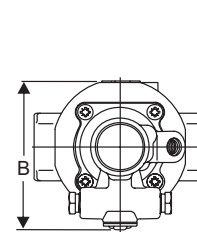


Top View

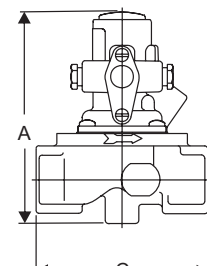


Right Side View

Internal Pilot Gas with Pilot Adjust Valve



Top View



Right Side View

External Pilot Gas Valve

Selection Chart

| Part Number | Inlet and Outlet Female NPT | Natural Gas Capacity Btu/hr @ 1 in. Pressure Drop | Pilot Tap NPT | Pressure Tap NPT | Pilot Gas Flow/Pilot Adjust Valve | |
|-------------|-----------------------------|--|--------------------------------|--------------------------|-----------------------------------|-------------|
| ▲ H15AB-3C | 3/8 in. x 3/8 in. | 160,000 | (2) 1/8-27 over inlet | None | Internal/No | |
| ▲ H15AB-6C | | 160,000 | (2) 1/8-27 left of inlet | None | Internal/No | |
| ▲ H15AB-7C | | 160,000 | (2) 1/8-27 left of inlet | None | Internal/No | |
| ▲ H15AR-3C | | 163,000 | 1/8-27 over inlet | None | External/No | |
| ▲ H15AR-4C | | 163,000 | (2) 1/8-27 right of inlet | None | External/No | |
| ▲ H15AR-6C | | 163,000 | 1/8-27 left of inlet | None | External/No | |
| ▲ H15AR-A9C | | 163,000 | 1/8-27, 3/16 cc right of inlet | None | External/Yes | |
| ▲ H15AR-10C | 1/2 in. x 1/2 in. | 163,000 | (2) 1/8-27 left of inlet | None | External/No | |
| ▲ H15CA-1C | | 322,000 | 1/8-27 over inlet | None | Internal/No | |
| ▲ H15CB-2C | | 322,000 | 1/4 in. cc right of inlet | None | Internal/No | |
| ▲ H15CQ-3C | | 322,000 | (2) 1/4 in. cc left of inlet | None | External/No | |
| ▲ H15CQ-6C | | 322,000 | (2) 1/4 in. cc right of inlet | 1/8-27 left and right | External/No | |
| ▲ *H15DA-3C | | 3/4 in. x 3/4 in. *packaged with 3/4 to 1/2 in. and 3/4 to 3/8 in. reducer bushings | 335,000 | 1/8-27 over inlet | None | Internal/No |
| ▲ H15DA-4C | | | 335,000 | 1/8-27 over inlet | 1/8-27 left and right | Internal/No |
| ▲ H15DB-1C | 335,000 | | 1/8-27 over inlet | None | Internal/No | |
| ▲ *H15DH-3C | 335,000 | | 1/4 in. cc over outlet | None | Internal/Yes | |
| ▲ H15DQ-2C | 335,000 | | (2) 1/4 in. cc right of inlet | 1/8-27 left and right | External/No | |
| ▲ *H15EQ-3C | 480,000 | | (2) 1/4 in. cc right of inlet | None | External/No | |
| ▲ H15FA-1C | 1 in. x 1 in. | 610,000 | 1/8-27 over inlet | None | Internal/No | |
| ▲ H15FQ-1C | | 610,000 | (2) 1/4 in. cc right of inlet | None | External/No | |
| ▲ H15HQ-5C | 3/8 in. x 3/8 in. | 160,000 | 1/4 in. cc left of inlet | None | External/No | |
| ▲ H15HR-2C | | 160,000 | (2) 3/16 cc left of inlet | None | External/No | |
| ▲ H15HR-3C | | 160,000 | (2) 1/4 in. cc right of inlet | None | External/No | |
| ▲ H15HR-6C | | 160,000 | (2) 1/4 in. cc right of inlet | None | External/No | |
| ▲ H15QR-4C | | 1/4 in. x 1/4 in. | 93,000 | (2) 1/8-27 left of inlet | None | External/No |

▲ means bulk pack is available upon request.

Note: R23244-3H Red Button Replacement, bulk pack of 4; see page 91.

Optional pilot adjust valve; see page 90.

To convert pilots with 1/8-27 NPT threads to compression, use 42653-1H, sold 2 per package; see page 129.

BASO recommends using only BASO thermocouples that come from the original equipment manufacturer to provide optimum performance for your safety shutoff valve.



“Old” Pilot Adjust Roto Knob Version



“New” Pilot Adjust Valve Version



BASO Gas Products LLC

H17 Series Automatic Shut-Off Pilot Gas Valve

Description

H17 Series automatic pilot valves provide safe lighting and complete shut-off if the flame heating the thermocouple is extinguished. They are designed for standing pilot applications and can be used with natural gas or LP at pressures up to 0.5 psi. Pressing and holding the reset button allows gas to flow to the pilot only. Typical applications include room heaters, infrared heaters, stand-alone portable heaters, catalytic heaters, refrigerators and similar applications. Sizes range from 1/8 to 1/2 NPT and both standard and high temperature models are available.



Specifications

- Rated inlet pressure: 0.5 psi
- Permissible ambient (surface) temperature:
 - 40° to 150°F (-40° to 66°C) standard models
 - 40° to 300°F (-40° to 149°C) high temperature models

Agency Listing

- CSA (AGA/CGA) Certificate number 229521-1656088
- UL Recognized File number MH2926 (H17AA, BA and CA models only)

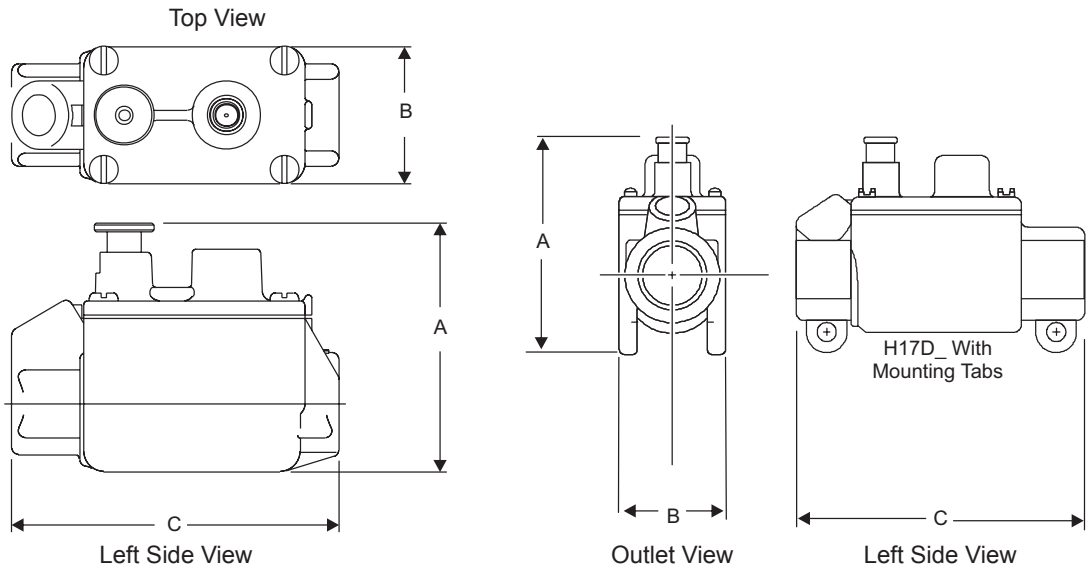
Selection Chart

| Part Number | Inlet and Outlet Female NPT | Natural Gas Capacity Btu/hr at 1 in. Pressure Drop | Pilot Tap NPT | Temperature Range |
|-------------|-----------------------------|--|--------------------|--------------------------|
| ▲ H17AA-2C | 1/8 in. x 1/8 in. | 54,000 | 1/8-27 over outlet | Standard (150°F) |
| ▲ H17AB-2C | | | | High Temperature (300°F) |
| H17BA-2C | 1/4 in. x 1/4 in. | 94,000 | | Standard (150°F) |
| H17BA-6C | | | | Standard (150°F) |
| ▲ H17BB-1C | | | | High Temperature (300°F) |
| H17CA-2C | | | | Standard (150°F) |
| ▲ H17CB-3C | 3/8 in. x 3/8 in. | 133,000 | | High Temperature (300°F) |
| ▲ H17CB-5C | | | | High Temperature (300°F) |
| H17DA-4C | | | | Standard (150°F) |
| ▲ H17DB-5C | 1/2 in. x 1/2 in. | 165,000 | | High Temperature (300°F) |

▲ means bulk pack is available upon request.

To convert pilots with 1/8-27 NPT threads to compression, use 42653-1H, sold 2 per package; see page 129.

BASO recommends using only BASO thermocouples that come from the original equipment manufacturer to provide optimum performance for your safety shutoff valve.



Dimensions

| Part Number | A Height | | B Width | | C Length | |
|-------------|----------|----|---------|----|----------|----|
| | in. | mm | in. | mm | in. | mm |
| H17AA-2 | 2.28 | 58 | 1.25 | 32 | 3.00 | 76 |
| H17AB-2 | 2.28 | 58 | 1.25 | 32 | 3.00 | 76 |
| H17BA-2 | 2.28 | 58 | 1.25 | 32 | 3.00 | 76 |
| H17BA-6 | 2.28 | 58 | 1.25 | 32 | 3.00 | 76 |
| H17BB-1 | 2.28 | 58 | 1.25 | 32 | 3.00 | 76 |
| H17CA-2 | 2.28 | 58 | 1.25 | 32 | 3.00 | 76 |
| H17CB-3 | 2.28 | 58 | 1.25 | 32 | 3.00 | 76 |
| H17CB-5 | 2.28 | 58 | 1.25 | 32 | 3.00 | 76 |
| H17DA-4 | 2.62 | 67 | 1.25 | 32 | 3.43 | 87 |
| H17DB-5 | 2.62 | 67 | 1.25 | 32 | 3.43 | 87 |



BASO Gas Products LLC

H19 Series Automatic Shut-Off Pilot Gas Valve

Description

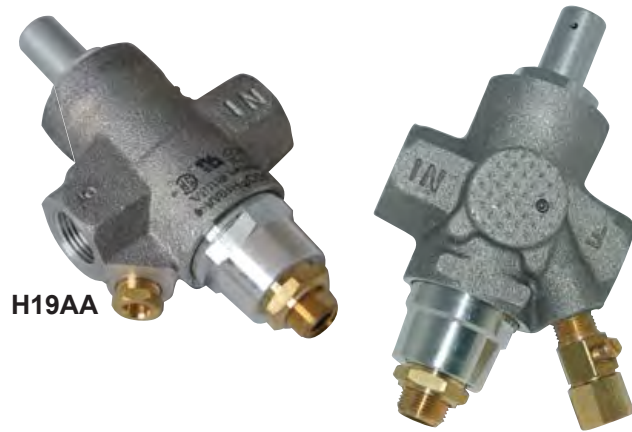
H19 Series gas valves provide complete shut-off if the flame heating the thermocouple is extinguished. The H19ME valve is for use in catalytic heater applications only and provides a lower milliamp dropout range. The H19 valve can be used with natural gas or LP at pressures up to 0.5 psi. Typical applications include heaters, commercial cooking equipment and similar applications. The optional pilot adjust valve allows for pilot flame adjustment.

Specifications

- Rated inlet pressure: 0.5 psi
- Permissible ambient (surface) temperature:
H19A_ is 32° to 150°F (0° to 66°C)
H19ME is -40° to 150°F (-40° to 66°C)

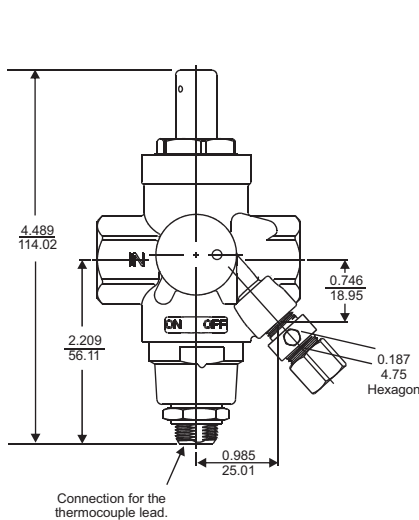
Agency Listing

- CSA (AGA/CGA) Certificate number 229521-1656106
- UL Recognized File number MH2926 (H19AA only)

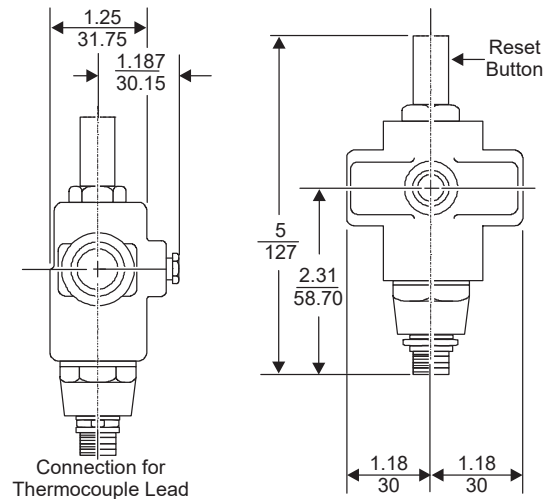


H19AA

H19AL
with Pilot
Adjust Valve



H19A_ Dimensions (in./mm)



H19ME Dimensions (in./mm)

Selection Chart

| Part Number | Inlet and Outlet Female NPT | Natural Gas Capacity Btu/hr at 1 in. Pressure Drop. | Pilot Tap | Pilot Adjust Valve |
|-------------|-----------------------------|---|-----------------|--------------------|
| ▲ H19AA-4C | 3/8 in. x 3/8 in. | 140,000 | 1/4 in. cc left | No |
| ▲ H19AL-2C | | 140,000 | 1/4 in. cc left | Yes |
| ▲ H19ME-1C | | 75,000 | Plugged | No |

▲ means bulk pack is available upon request.

To convert pilots with 1/8-27 NPT threads to compression, use 42653-1H, sold 2 per package. See page 129. BASO recommends using only BASO thermocouples that come from the original equipment manufacturer to provide optimum performance for your safety shutoff valve.



BASO Gas Products LLC

H19 Series High Pressure Automatic Shut-Off Pilot Gas Valve

Description

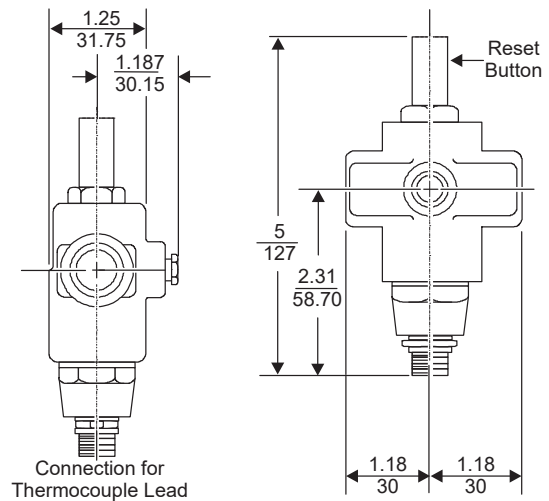
H19 Series high pressure gas valves provide safe lighting and complete shut-off if the flame heating the thermocouple is extinguished. The H19 valve can be used with natural gas or LP at pressures up to and including 25 psi. Typical applications include commercial and industrial heaters, crop dryers and similar applications. The H19LA and H19NA models with flow interruption feature allow gas flow only to the pilot during the lighting operation. The H19RA and H19TA models without flow interruption permit gas to flow to both the pilot and main burner. Sizes available are 1/4 and 3/8 NPT.

Specifications

- Rated inlet pressure: 25 psi
- H19TB only 15 psi
- Permissible ambient (surface) temperature:
-40° to 150°F (-40° to 66°C)
-40° to 225°F (-40° to 107°C) H19TB only

Agency Listing

- CSA (AGA/CGA) Certificate number 229521-1656106
- UL Recognized File number MH2926 (not H19TB)
- Australian Gas Association Certificate number 6734 (not H19TB)



H19 Dimensions (in./mm)

Selection Chart

| Part Number | Inlet and Outlet Female NPT | Natural Gas Capacity Btu/hr at 2.5 psi Pressure Drop | Pilot Tap NPT | Flow Interrupter |
|-------------|-----------------------------|--|---------------|------------------|
| ▲ H19LA-1C | 3/8 in. x 3/8 in. | 600,000 | 1/8-27 right | Yes |
| ▲ H19NA-4C | 1/4 in. x 1/4 in. | | 1/8-27 right | Yes |
| ▲ H19RA-2C | 3/8 in. x 3/8 in. | | 1/8-27 right | No |
| ▲ H19TA-3C | 1/4 in. x 1/4 in. | | 1/8-27 right | No |
| H19TB-1C | 1/4 in. x 1/4 in. | | 1/8-27 top | No |

▲ means bulk pack is available upon request.

BASO recommends using only BASO thermocouples that come from the original equipment manufacturer to provide optimum performance for your safety shutoff valve.

Thermocouple Operated Gas Valves



BASO Gas Products LLC

H43 Series Automatic Shut-Off Pilot Gas Valve with Manual Shut-off

Description

H43 Series automatic pilot valves provide safe lighting and complete shut-off of pilot and main burner gas if the flame heating the thermocouple is extinguished. A manual valve handle with Pilot, On and Off positions allows operation of the valve without a thermostat. The H43 can be used with natural gas or LP at pressures up to 0.5 psi. Typical applications include heaters, wall furnaces, commercial cooking equipment, cater truck equipment and similar applications. Sizes available are 3/8 and 1/2 NPT and both standard and high temperature models are available.

Specifications

- Rated inlet pressure: 0.5 psi
- Permissible ambient (surface) temperature:
H43_A is 32° to 175°F (0° to 79°C)
H43_B is 32° to 250°F (0° to 121°C)

Agency Listing

- CSA (AGA/CGA) Certificate number 229521-1656111
- UL Recognized File number MH2926 (H43AA and BA models only)

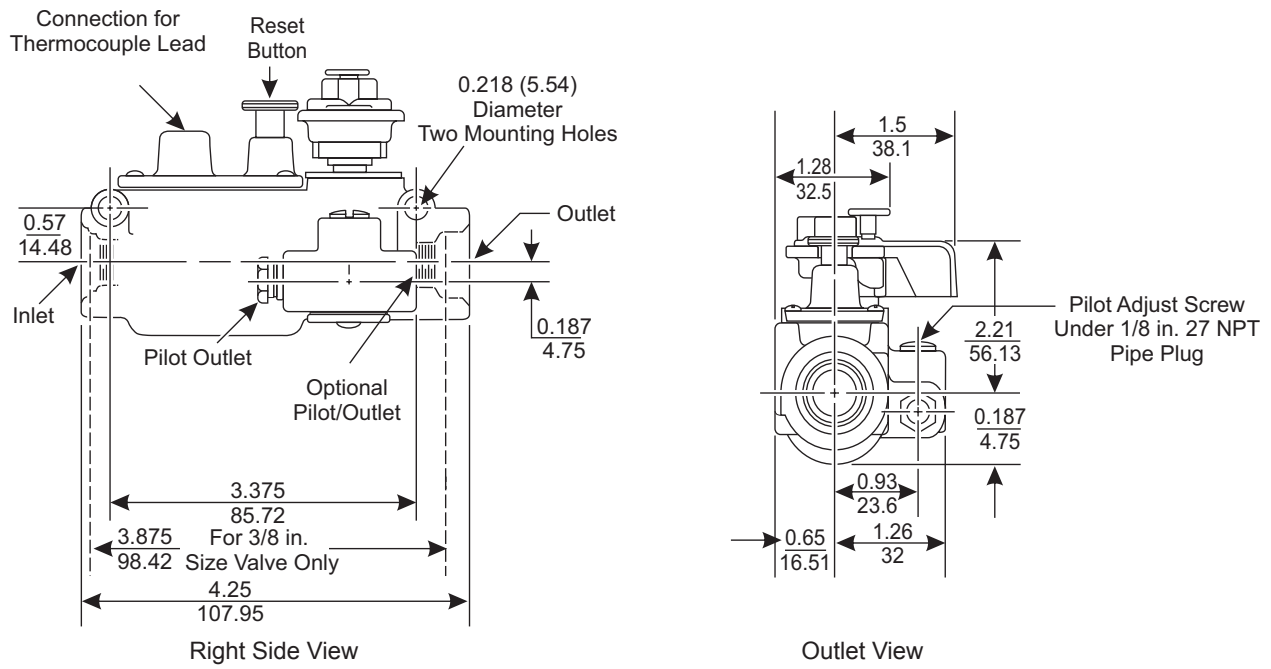


Selection Chart

| Part Number | Inlet and Outlet Female NPT | Manual Valve Handle or Rod | Natural Gas Capacity Btu/hr at 1 in. Pressure Drop | Pilot Tap/ Pilot Gas Flow | Temperature Range |
|-------------|-----------------------------|----------------------------|--|---------------------------------|--------------------------|
| ▲ H43AA-1C | 3/8 in. x 3/8 in. | Handle | 122,000 | 1/4 in. cc right/ same as main | Standard (175°F) |
| ▲ H43AA-12C | | | | 1/4 in. cc right/ opposite main | Standard (175°F) |
| ▲ H43AB-4C | | | | 1/4 in. cc right/ same as main | High Temperature (250°F) |
| ▲ H43BA-2C | 1/2 in. x 1/2 in. | | 150,000 | 1/4 in. cc right/ opposite main | Standard (175°F) |
| ▲ H43BA-5C | | | | 1/4 in. cc right/ opposite main | Standard (175°F) |
| ▲ H43BB-2C | | | | 1/4 in. cc right/ same as main | High Temperature (250°F) |
| H43GA-3C | | 1/4 in. Sq Rod | 1/4 in. cc right/ same as main | Standard (175°F) | |

▲ means bulk pack is available upon request.

BASO recommends using only BASO thermocouples that come from the original equipment manufacturer to provide optimum performance for your safety shutoff valve.



H43 Dimensions (in./mm)



BASO Gas Products LLC

BGX583N Series Non-Explosion Proof Valve

Description

BGX583N Series Non-Explosion Proof gas valves incorporate a solenoid operator with a thermoelectric operator. When used in conjunction with a momentary switch, this valve can be operated remotely, removing the liability of having to manually reset the valve. The BGX583N Series valve is typically used in catalytic heater applications and provides a lower milliamp dropout range. The BGX583N Series valve can be used with natural gas or LP at pressures up to 0.5 psi. The optional manual override feature is for restarts if power is lost to the solenoid. Typical applications include catalytic heaters, infrared heaters, agricultural heaters and other heating equipment.

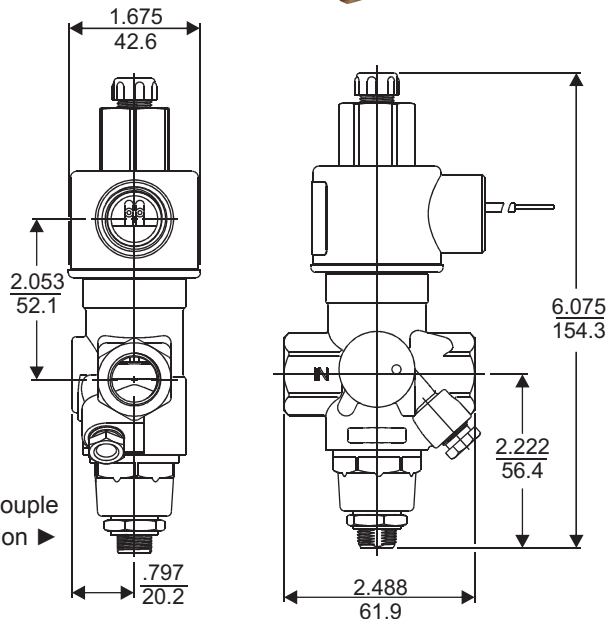
Specifications

- Rated inlet pressure: 0.5 psi
- Available voltages: 12 VDC or 24 VDC
- Inlet/Outlet sizes: 1/4 or 3/8 NPT
- Permissible ambient (surface) temperature: -40° to 149°F (-40° to 65°C)

Agency Listing

- UL Recognized File number MH2926

Note: If you have “AC” voltages, you can use our in-line rectifier to convert to “DC” voltage. If you have 120 or 220 VAC, you will need to step down the voltage to the 12 or 24 VAC along with using the in-line rectifier; see page 82.



BGX583N Dimensions (in./mm)

Selection Chart

| Part Number | Inlet and Outlet Female NPT | Voltage | Natural Gas Capacity Btu/hr at 1 in. Pressure Drop | Pilot Tap | Manual Override Option |
|-----------------|-----------------------------|---------|--|-----------|------------------------|
| BGX583NMAE-1AAC | 3/8 in. x 3/8 in. | 12 VDC | 140,000 | Plugged | Yes |
| BGX583NNAE-1AAC | | 12 VDC | 140,000 | Plugged | No |

BASO recommends using only BASO thermocouples that come from the original equipment manufacturer to provide optimum performance for your safety shutoff valve.



BASO Gas Products LLC

BE58 Series Explosion Proof Valve

Description

BE58 Series Explosion Proof gas valves incorporate a solenoid operator with a thermoelectric operator. Used in conjunction with a momentary switch, this valve can be operated remotely, removing the liability of having to manually reset the valve. The BE58 Series valve is for use in catalytic heater applications and provides a lower milliamp dropout range. The BE58 Series valve can be used with natural gas or LP at pressures up to 0.5 psi. The optional manual override feature is for restarts if power is lost to the solenoid. Typical applications include catalytic heaters, infrared heaters, agricultural heaters and other heating equipment.

Specifications

- Rated inlet pressure: 0.5 psi
- Available voltages: 12 VDC or 24 VDC
- Inlet/Outlet sizes: 1/4 or 3/8 NPT
- Can be used in Class I, Division I, Groups C and D; Class II, Division I, Groups E, F and G Hazardous Locations.
- Permissible ambient (surface) temperature: -40° to 149°F (-40° to 65°C)



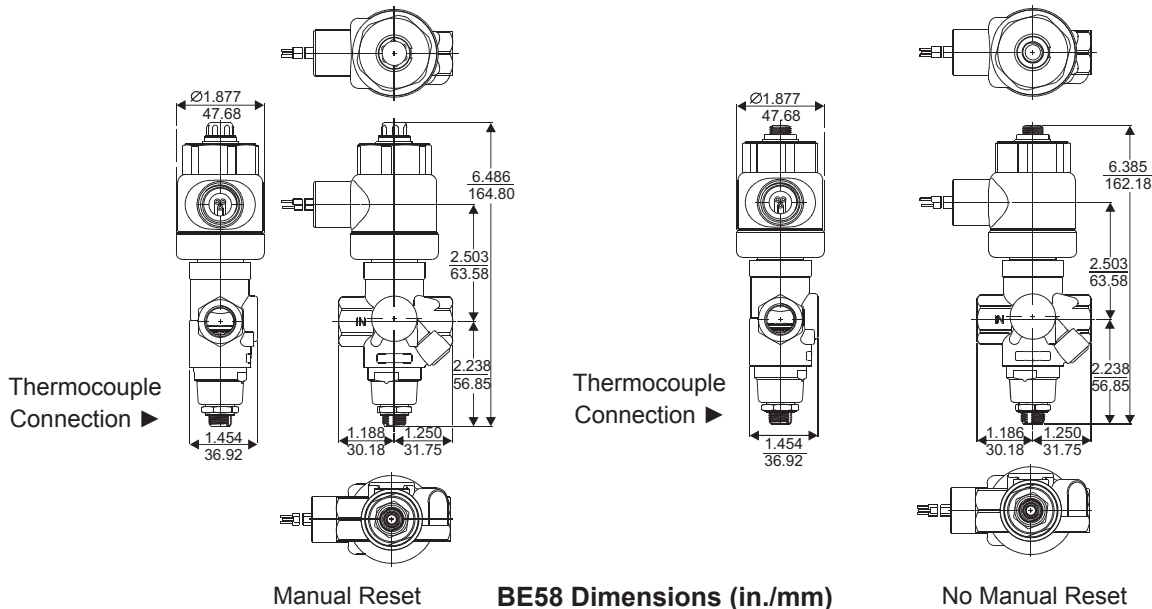
Patented 2013

Agency Listing

- UL Recognized File number MH2926

Note: BASO recommends using only BASO thermocouples that come from the original equipment manufacturer to provide optimum performance for your safety shutoff valve.

Note: If you have "AC" voltages, you can use our in-line rectifier to convert to "DC" voltage. If you have 120 or 220 VAC, you will need to step down the voltage to the 12 or 24 VAC along with using the in-line converter; see page 82.



Selection Chart

| Part Number | Inlet and Outlet Female NPT | Voltage | Natural Gas Capacity Btu/hr at 1 in. Pressure Drop | Pilot Tap | Manual Override Option |
|--------------|-----------------------------|---------|--|-----------|------------------------|
| BE58BTA-1AAC | 3/8 in. x 3/8 in. | 12 VDC | 140,000 | Plugged | Yes |
| BE58DTA-1AAC | | 12 VDC | 140,000 | Plugged | No |



BASO Gas Products LLC

L61 Series BASO® Pilot Switch

Description

L61 Series pilot switches are for use on standing pilot equipment that require main burner shut-off when the pilot flame heating the thermocouple is extinguished. The L61LL-1 can be used with natural gas only at pressures up to 0.5 psi. Typical applications include domestic central heating, commercial space heating appliances, industrial processing equipment, commercial cooking equipment and similar applications.

Specifications

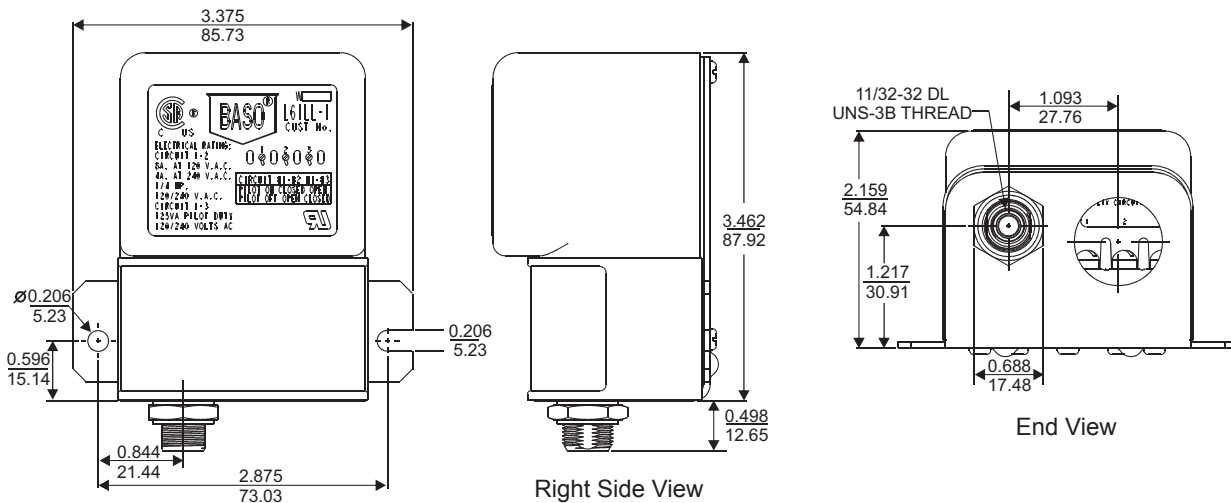
- Permissible ambient (surface) temperature: -40° to 150°F (-40° to 66°C)

Agency Listing

- CSA (AGA/CGA) Certificate number 229521-1656085
- UL Recognized File number MH2926



Thermocouple Operated Gas Valves



L61 Dimensions (in./mm)

Selection Chart

| Part Number | Reset | 100% Shut-off | Switch Action | Electrical Ratings |
|-------------|-----------|---------------|---------------|--|
| ▲ L61LL-1C | Automatic | No | SPDT | At normally closed contact-125 VA pilot duty @120/240 VAC. At normally open contact-8 amp, 120 VAC; 4 amp, 240 VAC; 1/4 hp @ 120/240 VAC |

▲ means bulk pack is available upon request.

The L61LL-1 is the universal replacement for BASO® 860-1, 861-1, 960-1, 961-1 and L61LL-2 and 3 controls.

BASO recommends using only BASO thermocouples that come from the original equipment manufacturer to provide optimum performance for your safety shutoff valve.



BASO Gas Products LLC

L62 Series BASO® Pilot Switch

Description

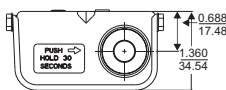
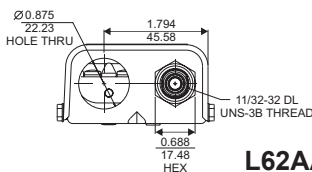
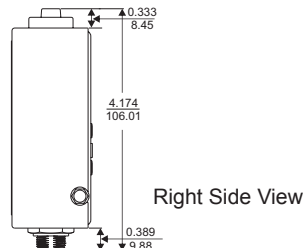
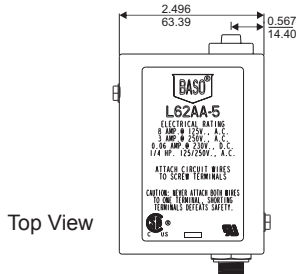
L62 Series pilot switches are for use on standing pilot equipment that require main burner shut-off when the pilot flame heating the thermocouple is extinguished. The L62AA can be used with natural gas only. The L62GB may be used with natural gas or LP at pressures up to 0.5 psi. Typical applications include domestic central heating, commercial space heating appliances, industrial processing equipment, commercial cooking equipment and similar applications.

Specifications

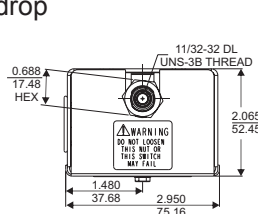
- Rated inlet pressure: 0.5 psi for L62GB
- Permissible ambient (surface) temperature:
-40° to 150°F (-40° to 66°C) for L62AA
-40° to 175°F (-40° to 79°C) for L62GB
- Natural gas capacity Btu/hr at 1 in. pressure drop rating: 7,300 for the L62GB

Agency Listing

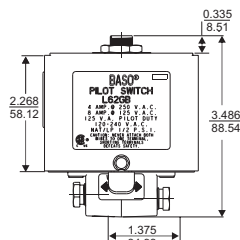
- CSA (AGA/CGA) Certificate number 229521-1656085
- UL Recognized File number MH2926 (excludes L62GB)



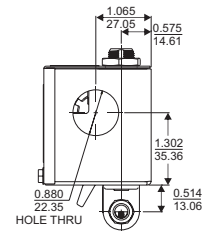
L62AA Dimensions (in./mm)



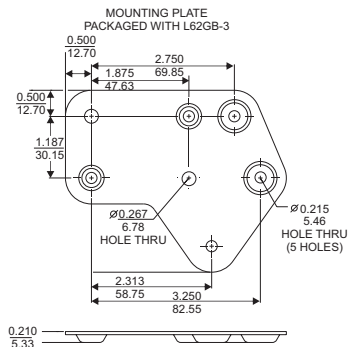
End View



Top View



Right Side View



L62GB Dimensions (in./mm)



L62AA

L62GB

Thermocouple Operated Gas Valves

Selection Chart

| Part Number | Reset | 100% Shut-off | Switch Action | Electrical Ratings |
|---------------|--------|---------------|---------------|---|
| ▲ L62AA-5C(a) | Manual | No | SPST | 8 amp, 125 VAC; 3 amp, 250 VAC; 0.06 amp, 230VDC; 1/4 hp @125/250 VAC |
| ▲ L62GB-3C(b) | Manual | Yes | SPST | 8 amp, 125 VAC; 4 amp, 250 VAC; 125 VA pilot duty @ 120/240 VAC |

▲ means bulk pack is available upon request.

BASO recommends using only BASO thermocouples that come from the original equipment manufacturer to provide optimum performance for your safety shutoff valve.

The L62AA replaces BASO® 850-1 and L62AA-1 through 8. The L62GB replaces BASO® 853-1 through 6 and L62EA models. A universal mounting bracket is included with the L62GB to permit replacing other competitive models.

(a) Replaces Honeywell C434A; ITT/General A100G542; White-Rodgers 30E02-1.

(b) Replaces Honeywell C591A; ITT/General A100G543, A100G544 and A100G564.



BASO Gas Products LLC

K14 Series Thermocouples

Description

K14 Series thermocouples are designed to be used in catalytic heater applications where the longer length tip allows for better operation.

Agency Listing

- CSA (AGA/CGA) Certificate number 229521-1656071



Thermocouple Operated Gas Valves

Selection Chart

| Part Number | Length | Replaces Johnson Controls | Open Circuit mV Range | |
|--------------------|------------------|---------------------------|-----------------------|----------------|
| | | | Pilot Flame | Catalytic Heat |
| ▲ K14MA-36H | 36 in. (601 mm) | K14MA-8036D | 20 – 28 mV | 12–18 mV |
| ▲ K14MA-72H | 72 in. (1829 mm) | N/A | 20 – 28 mV | N/A |

▲ means bulk pack is available upon request.

- Notes: Connects to valves with 11/32-32 male nut connector
 Open Circuit: 15 mV minimum (pilot flame), 5 mV minimum (catalytic heat)
 Closed Circuit: 8 mV minimum
 Maximum Hot Junction Temperature: 1400°F (760°C)



BASO Gas Products LLC

K15DA Series Thermocouples

Description

K15DA Series thermocouples are designed to be used in many thermoelectric applications where standing pilots are needed. This style of thermocouple can also be used with other manufacturers' standing pilots.

Agency Listing

- CSA (AGA/CGA) Certificate number 229521-1656071



Selection Chart

| | Part Number | Length | Replaces Johnson Controls | Open Circuit mV Range |
|---|-------------|------------------|---------------------------|-----------------------|
| ▲ | K15DA-12H | 12 in. (305 mm) | N/A | 20 – 28 mV |
| ▲ | K15DA-18H | 18 in. (457 mm) | K15DS-18H, K15DS-1818H | 20 – 28 mV |
| ▲ | K15DA-24H | 24 in. (610 mm) | K15DS-24H, K15DS-1824H | 20 – 28 mV |
| ▲ | K15DA-30H | 30 in. (762 mm) | K15DS-30H, K15DS-1830H | 20 – 28 mV |
| ▲ | K15DA-36H | 36 in. (914 mm) | K15DS-36H, K15DS-1836H | 20 – 28 mV |
| ▲ | K15DA-48H | 48 in. (1219 mm) | N/A | 20 – 28 mV |

▲ means bulk pack is available upon request.

Notes: Connects to valves with 11/32-32 male nut connector
 Open Circuit: 15 mV minimum
 Closed Circuit: 8 mV minimum
 Maximum Hot Junction Temperature: 1500°F (816°C)



BASO Gas Products LLC

K15DQ Series Thermocouples

Description

K15DQ Series thermocouples are designed to be used in many thermoelectric applications where standing pilots are needed. This thermocouple has a short element tip for designed applications. This style of thermocouple can also be used with other manufacturers' standing pilots.

Agency Listing

- CSA (AGA/CGA) Certificate number 229521-1656071



Selection Chart

| | Part Number | Length | Replaces Johnson Controls | Open Circuit mV Range |
|---|-------------|-----------------|---------------------------|-----------------------|
| ▲ | K15DQ-30H | 30 in. (762 mm) | N/A | 20 – 28 mV |
| ▲ | K15DQ-36H | 36 in. (914 mm) | N/A | 20 – 28 mV |

▲ means bulk pack is available upon request.

Notes: Connects to valves with 11/32-32 male nut connector
 Open Circuit: 15 mV minimum
 Closed Circuit: 8 mV minimum
 Maximum Hot Junction Temperature: 1500°F (816°C)

Thermocouples



BASO Gas Products LLC

K15FA Series Thermocouples

Description

K15FA Series thermocouples are designed to be used where the pilot bracket accepts a fast and easy snap-in style clip to hold the thermocouple. This thermocouple can also be used with other manufacturers' standing pilots where a snap-in clip is accepted.

Agency Listing

- CSA (AGA/CGA) Certificate number 229521-1656071



Thermocouple Accessories

Selection Chart

| | Part Number | Length | Replaces Honeywell / Robertshaw | Open Circuit mV Range |
|---|------------------|------------------|---------------------------------|-----------------------|
| ▲ | K15FA-12H | 12 in. (305 mm) | Q309A2192 / T46S12 | 20 – 28 mV |
| ▲ | K15FA-18H | 18 in. (457 mm) | Q309A2143 / T46S18 | 20 – 28 mV |
| ▲ | K15FA-24H | 24 in. (610 mm) | Q309A2119 / T46S24 | 20 – 28 mV |
| ▲ | K15FA-30H | 30 in. (762 mm) | Q309A2150 / T46S30 | 20 – 28 mV |
| ▲ | K15FA-36H | 36 in. (914 mm) | Q309A2200 / T46S36 | 20 – 28 mV |
| ▲ | K15FA-48H | 48 in. (1219 mm) | Q309A2010 / T46S48 | 20 – 28 mV |

▲ means bulk pack is available upon request.

Notes: Connects to valves with 11/32-32 male nut connector
 Open Circuit: 15 mV minimum
 Closed Circuit: 8 mV minimum
 Maximum Hot Junction Temperature: 1500°F (816°C)



BASO Gas Products LLC

Husky™

K16BA Series Thermocouples

Description

K16BA Series thermocouples are designed to be used in many thermoelectric applications where standing pilots are needed. This thermocouple does not come with a split sleeve and nut. This style of thermocouple can be used with other manufacturers' standing pilots.

Agency Listing

- CSA (AGA/CGA) Certificate number 229521-1656071



Selection Chart

| | Part Number | Length | Replaces Johnson Controls | Open Circuit mV Range |
|---|-------------|------------------|---------------------------|-----------------------|
| ▲ | K16BA-12H | 12 in. (305 mm) | N/A | 25 – 35 mV |
| ▲ | K16BA-18H | 18 in. (457 mm) | N/A | 25 – 35 mV |
| ▲ | K16BA-24H | 24 in. (610 mm) | N/A | 25 – 35 mV |
| ▲ | K16BA-30H | 30 in. (762 mm) | N/A | 25 – 35 mV |
| ▲ | K16BA-36H | 36 in. (914 mm) | N/A | 25 – 35 mV |
| ▲ | K16BA-48H | 48 in. (1219 mm) | K15WS-48H | 25 – 35 mV |
| ▲ | K16BA-60H | 60 in. (1524 mm) | N/A | 25 – 35 mV |
| ▲ | K16BA-72H | 72 in. (1829 mm) | N/A | 25 – 35 mV |

▲ means bulk pack is available upon request.

Notes: Connects to valves with 11/32-32 male nut connector
 Open Circuit: 17 mV minimum
 Closed Circuit: 8 mV minimum
 Maximum Hot Junction Temperature: 1500°F (816°C)

Thermocouples



BASO Gas Products LLC

Husky™

K16BT Series Thermocouples

Description

K16BA Series thermocouples are designed to be used in many thermoelectric applications where standing pilots are needed. This style of thermocouple comes with a split sleeve and nut. This style of thermocouple can be used with other manufacturers' standing pilots.

Agency Listing

- CSA (AGA/CGA) Certificate number 229521-1656071



Thermocouple Accessories

Selection Chart

| Part Number | Length | Replaces Johnson Controls | Open Circuit mV Range |
|------------------|-----------------|---------------------------|-----------------------|
| K16BT-18H | 18 in. (457 mm) | N/A | 25 – 35 mV |
| K16BT-24H | 24 in. (610 mm) | N/A | 25 – 35 mV |
| K16BT-30H | 30 in. (762 mm) | N/A | 25 – 35 mV |
| K16BT-36H | 36 in. (914 mm) | N/A | 25 – 35 mV |

Notes: Connects to valves with 11/32-32 male nut connector
 Open Circuit: 17 mV minimum
 Closed Circuit: 8 mV minimum
 Maximum Hot Junction Temperature: 1500°F (816°C)



BASO Gas Products LLC

Husky™

K16CA Series Thermocouples

Description

K16CA Series thermocouples are designed to be used where the pilot bracket accepts a fast and easy snap-in style clip to hold the thermocouple. This style of thermocouple can also be used with other manufacturers' standing pilots where a snap-in clip is accepted.

Agency Listing

- CSA (AGA/CGA) Certificate number 229521-1656071



Selection Chart

| | Part Number | Length | Replaces Johnson Controls | Open Circuit mV Range |
|---|------------------|-----------------|---------------------------|-----------------------|
| ▲ | K16CA-18H | 18 in. (457 mm) | N/A | 25 – 35 mV |
| ▲ | K16CA-30H | 30 in. (762 mm) | N/A | 25 – 35 mV |
| ▲ | K16CA-36H | 36 in. (914 mm) | N/A | 25 – 35 mV |

▲ means bulk pack is available upon request.

Notes: Connects to valves with 11/32-32 male nut connector
 Open Circuit: 17 mV minimum
 Closed Circuit: 8 mV minimum
 Maximum Hot Junction Temperature: 1500°F (816°C)

Thermocouples



BASO Gas Products LLC

Husky™

K16FA Series Thermocouples

Description

K16FA Series thermocouples are designed to be used where a junction block connection is needed. This style of thermocouple can also be used with other manufacturers' standing pilots where a thread-in bracket connection is accepted. The addition of a junction block allows for a high limit switch connection. This places the power unit of the pilot control in series with the limit switch and thermocouple. If pilot flame is lost or a high limit switch occurs, the gas valve will shut off.



Agency Listing

- CSA (AGA/CGA) Certificate number 229521-1656071

Selection Chart

| | Part Number | Length | Replaces Johnson Controls | Open Circuit mV Range |
|---|-------------|-----------------|---------------------------|-----------------------|
| ▲ | K16FA-18H | 18 in. (457 mm) | N/A | 25 – 35 mV |
| ▲ | K16FA-24H | 24 in. (610 mm) | N/A | 25 – 35 mV |
| ▲ | K16FA-36H | 36 in. (914 mm) | N/A | 25 – 35 mV |

▲ means bulk pack is available upon request.

Notes: Connects to valves with 11/32-32 male nut connector
 Open Circuit: 17 mV minimum
 Closed Circuit: 8 mV minimum
 Maximum Hot Junction Temperature: 1500°F (816°C)

Thermocouple Accessories



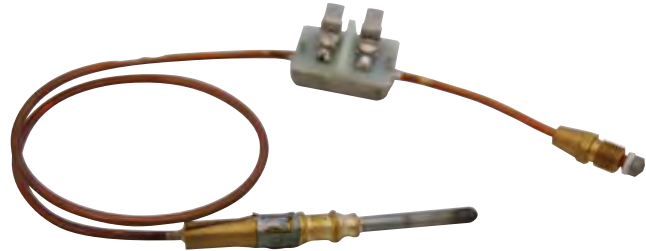
BASO Gas Products LLC

Husky™ K16JA and K16KA Series Thermocouples

Thermocouples

K16JA Description

K16JA Series thermocouples are designed to be used where the pilot bracket accepts a fast and easy snap-in style slip to hold the thermocouple. This style of thermocouple can also be used with other manufacturers' standing pilots where a snap-in clip is accepted. The addition of a junction block allows for a high limit switch connection. The places the power unit of the pilot control in series with the limit switch and thermocouple. If pilot flame is lost or a high limit switch occurs, the gas valve will shut off.



K16JA

K16KA Description

K16KA Series thermocouples are designed to be used where a junction block connection is needed. This style of thermocouple can also be used with other manufacturers' standing pilots where a thread-in bracket connection is accepted. The addition of a junction block allows for a high limit switch connection. This places the power unit of the pilot control in series with the limit switch and thermocouple. If pilot flame is lost or a high limit switch occurs, the gas valve will shut off.



K16KA

Agency Listing

- CSA (AGA/CGA) Certificate number 229521-1656071

Selection Chart

| | Part Number | Length | Replaces Johnson Controls | Open Circuit mV Range |
|---|-------------|-----------------|---------------------------|-----------------------|
| ▲ | K16JA-24H | 24 in. (610 mm) | N/A | 25 – 35 mV |
| ▲ | K16KA-24H | 24 in. (610 mm) | N/A | 25 – 35 mV |

▲ means bulk pack is available upon request.

Notes: Connects to valves with 11/32-32 male nut connector
 Open Circuit: 17 mV minimum
 Closed Circuit: 8 mV minimum
 Maximum Hot Junction Temperature: 1500°F (816°C)



BASO Gas Products LLC

Husky™

K16NA Series Thermocouples

Description

K16NA Series thermocouples are designed to be used in many thermoelectric applications where standing pilots are needed. This style of thermocouple can also be used with other manufacturers' standing pilots.

Agency Listing

- CSA (AGA/CGA) Certificate number 229521-1656071



Selection Chart

| | Part Number | Length | Replaces Johnson Controls | Open Circuit mV Range |
|---|-------------|------------------|---------------------------|-----------------------|
| ▲ | K16NA-30H | 30 in. (762 mm) | N/A | 25 – 35 mV |
| ▲ | K16NA-48H | 48 in. (1219 mm) | N/A | 25 – 35 mV |

▲ means bulk pack is available upon request.

Notes: Connects to valves with 11/32-32 male nut connector
 Open Circuit: 17 mV minimum
 Closed Circuit: 8 mV minimum
 Maximum Hot Junction Temperature: 1500°F (816°C)

Thermocouple Accessories



BASO Gas Products LLC

Husky™ K16RA Series Nickle-Plated Thermocouples

Description

K16RA Series thermocouples are designed to be used in many thermoelectric applications where standing pilots are needed. The K16RA Series has nickel plating added for applications where corrosion resistance is needed to extend the life of the thermocouple. This style thermocouple can also be used with other manufacturers' standing pilots.

Agency Listing

- CSA (AGA/CGA) Certificate number 229521-1656071



Selection Chart

| | Part Number | Length | Replaces Johnson Controls | Open Circuit mV Range |
|---|-------------|------------------|---------------------------|-----------------------|
| ▲ | K16RA-24H | 24 in. (610 mm) | N/A | 25 – 35 mV |
| ▲ | K16RA-30H | 30 in. (762 mm) | N/A | 25 – 35 mV |
| ▲ | K16RA-36H | 36 in. (914 mm) | N/A | 25 – 35 mV |
| ▲ | K16RA-48H | 48 in. (1219 mm) | N/A | 25 – 35 mV |
| ▲ | K16RA-60H | 60 in. (1524 mm) | N/A | 25 – 35 mV |
| ▲ | K16RA-72H | 72 in. (1829 mm) | N/A | 25 – 35 mV |

▲ means bulk pack is available upon request.

Notes: Connects to valves with 11/32-32 male nut connector
 Open Circuit: 17 mV minimum
 Closed Circuit: 8 mV minimum
 Maximum Hot Junction Temperature: 1500°F (816°C)



BASO Gas Products LLC

Husky™

K16RM Series Nickle-Plated Thermocouples

Description

K16RM Series thermocouples are designed to be used in many thermoelectric applications where standing pilots are needed. The K16RM Series has nickel plating added for applications where corrosion resistance is needed to extend the life of the thermocouple. This style thermocouple can also be used with other manufacturers' standing pilots. This thermocouple includes a split sleeve and nut. The K16RM Series is your solution where distance in your application is required.



Agency Listing

- CSA (AGA/CGA) Certificate number 229521-1656071

Selection Chart

| Part Number | Length | Replaces Johnson Controls | Open Circuit mV Range |
|-------------------|-------------------|---------------------------|-----------------------|
| K16RM-96H | 96 in. (2438 mm) | N/A | 25 – 35 mV |
| K16RM-120H | 120 in. (3048 mm) | N/A | 25 – 35 mV |
| K16RM-144H | 144 in. (3658 mm) | N/A | 25 – 35 mV |
| K16RM-180H | 180 in. (4572 mm) | N/A | 25 – 35 mV |
| K16RM-240H | 240 in. (6096 mm) | N/A | 25 – 35 mV |

Notes: Connects to valves with 11/32-32 male nut connector
 Open Circuit: 17 mV minimum
 Closed Circuit: 8 mV minimum
 Maximum Hot Junction Temperature: 1500°F (816°C)

Thermocouple Accessories



BASO Gas Products LLC

Husky™

K16WT Series Thermocouples

Description

K16WT Series thermocouples are heavy duty larger gauge copper tubing for lower load currents to operate. This thermocouple includes an adapter that attaches to a male terminal connector. This style of thermocouple can also be used with other manufacturers' standing pilots.

Agency Listing

- CSA (AGA/CGA) Certificate number 229521-1656071



Selection Chart

| Part Number | Length | Replaces | Open Circuit mV Range |
|-------------|------------------|----------|-----------------------|
| K16WT-48H | 48 in. (1219 mm) | N/A | 25 – 35 mV |
| K16WT-60H | 60 in. (1524 mm) | N/A | 25 – 35 mV |
| K16WT-72H | 72 in. (1829 mm) | N/A | 25 – 35 mV |

Notes: Connects to valves with 11/32-32 female nut connector

Open Circuit: 17 mV minimum

Closed Circuit: 8 mV minimum

Maximum Hot Junction Temperature: 1500°F (816°C)

The K16WT works better for situations where millivolt line loss needs to be kept to a minimum.

63499-WT Series "WT" Extension Kits

Description

63499-WT Series are used where additional length is needed. These kits adapt directly to the K16WT series only.

Agency Listing

- None

Selection Chart

| Part Number | Length |
|-------------|------------------|
| 63499-WT48H | 48 in. (1219 mm) |
| 63499-WT60H | 60 in. (1524 mm) |
| 63499-WT72H | 72 in. (1829 mm) |



Thermocouples



BASO Gas Products LLC

Husky™

K16SA and K19SA Series Thermocouples with Metric Thread

Description

The K16SA thermocouple is designed to be used in many thermoelectric applications where the connections need metric threads. They are also designed to be used where the pilot bracket accepts a fast and easy snap-in style clip to hold the thermocouple. This style of thermocouple can also be used with other manufacturers' standing pilots where a snap-in clip is accepted.



K16SA

Agency Listing

- CSA (AGA/CGA) Certificate number 229521-1656071

K16SA Selection Chart

| Part Number | Length | Replaces | Open Circuit mV Range |
|-------------|-----------------|------------------|-----------------------|
| ▲ K16SA-36H | 36 in. (914 mm) | Norcold 61436322 | 25 – 35 mV |

▲ means bulk pack is available upon request.

Notes: Connects to valves with M8 x 1-6g male nut connector

Open Circuit: 17 mV minimum

Closed Circuit: 8 mV minimum

Maximum Hot Junction Temperature: 1500°F (816°C)

Description

K19SA Series thermocouples are designed to be used in many thermoelectric applications where the connections need metric threads. This style of thermocouple can also be used with other manufacturers' standing pilots. Typically used in the RV industry.



K19SA

Agency Listing

- CSA (AGA/CGA) Certificate number 229521-1656071

K19SA Selection Chart

| Part Number | Length | Replaces | Open Circuit mV Range |
|-------------|------------------|----------------|-----------------------|
| ▲ K19SA-18H | 18 in. (457 mm) | Norcold 618445 | 25 – 35 mV |
| ▲ K19SA-48H | 48 in. (1219 mm) | Norcold 617983 | 25 – 35 mV |
| ▲ K19SA-60H | 60 in. (1524 mm) | Norcold 619154 | 25 – 35 mV |
| ▲ K19SA-78H | 78 in. (1981 mm) | Norcold 620424 | 25 – 35 mV |

▲ means bulk pack is available upon request.

Notes: Connects to valves with M8 x 1-6g male nut connector

Open Circuit: 17 mV minimum

Closed Circuit: 8 mV minimum

Maximum Hot Junction Temperature: 1300°F (704°C)

Thermocouple Accessories

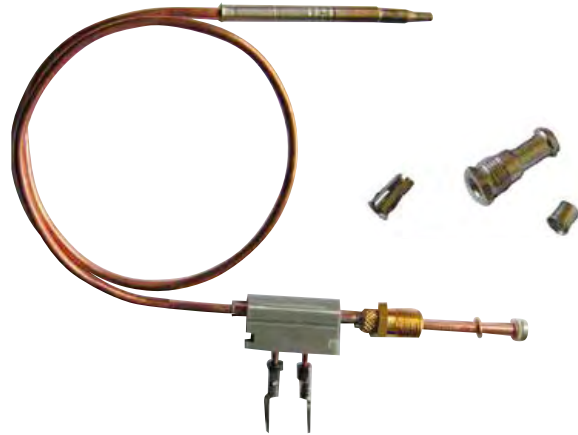


BASO Gas Products LLC

K17AJ Series Universal Thermocouple with Junction Block

Description

K17AJ Series thermocouples are designed to be used where a junction block connection is needed. This thermocouple can be used with the BASO® brand or other thermoelectric type valves and standing pilot burners. The addition of a junction block allows for a high limit switch connection. This places the power unit of the pilot control in series with the limit switch and thermocouple. If pilot flame is lost or a high limit switch occurs, the gas valve will shut off. This style of thermocouple, based on the fact that it is a universal adaption design, makes it a compatible replacement with other manufacturers' standing pilots. The K17AJ Series comes with two adapters and a spring clip.



Agency Listing

- None

Selection Chart

| Part Number | Length | Replaces Johnson Controls | Open Circuit mV Range |
|------------------|-----------------|---|-----------------------|
| K17AJ-18H | 18 in. (457 mm) | White-Rodgers H06F-18, Reddy Heater 099538-01 | 30 – 40 mV |
| K17AJ-24H | 24 in. (610 mm) | White-Rodgers H06F-24 | 30 – 40 mV |
| K17AJ-36H | 36 in. (914 mm) | White-Rodgers H06F-36, Jade Controls TK5-36J, Comfort Glo 115793-01 | 30 – 40 mV |

Notes: Connects to valves with 11/32-32 male nut connector
Open Circuit: 25 mV minimum
Closed Circuit: 8 mV minimum
Maximum Hot Junction Temperature: 700°C (1292°F)

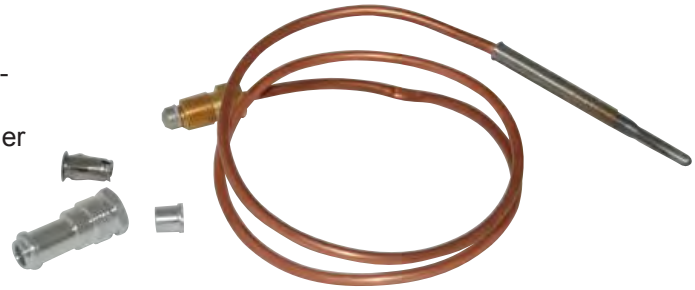


BASO Gas Products LLC

K17 Series Universal Thermocouple

Description

K17 Universal thermocouples are designed to be used in many thermoelectric applications where standing pilots are needed. This style of thermocouple, based on the fact that it is a universal adaption design, makes it a compatible replacement with other manufacturers' standing pilots. The universal kit comes with two adapters and a spring clip.



Agency Listing

- CSA Certificate number 266008-70058298

Selection Chart

| Part Number | Length | Replaces | Open Circuit mV Range | Agency |
|------------------|---------------------|--|-----------------------|--------|
| K17AT-18H | 18 in. (457 mm) | Honeywell Q337, Robertshaw T26, BASO K19AT Series, Johnson Controls K19AA Series, K19AT Series, K19BA Series, K19CA Series and White Rodgers H06E-18 | 30 – 40 mV | None |
| K17AT-24H | 24 in. (610 mm) | Honeywell Q337, Robertshaw T26, BASO K19AT Series, Johnson Controls K19AA Series, K19AT Series, K19BA Series, K19CA Series and White Rodgers H06E-24 | 30 – 40 mV | None |
| K17AT-30H | 30 in. (762 mm) | Honeywell Q337, Robertshaw T26, BASO K19AT Series, Johnson Controls K19AA Series, K19AT Series, K19BA Series, K19CA Series and White Rodgers H06E-30 | 30 – 40 mV | None |
| K17AT-36H | 36 in. (914 mm) | Honeywell Q337, Robertshaw T26, BASO K19AT Series, Johnson Controls K19AA Series, K19AT Series, K19BA Series, K19CA Series and White Rodgers H06E-36 | 30 – 40 mV | None |
| K17AT-48H | 48 in. (1219 mm) | Honeywell Q337, Robertshaw T26, BASO K19AT Series, Johnson Controls K19AA Series, K19AT Series, K19BA Series, K19CA Series and White Rodgers H06E-48 | 30 – 40 mV | None |
| K17AT-60H | 60 in. (1524 mm) | Honeywell Q337, Robertshaw T26, BASO K19AT Series, Johnson Controls K19AA Series, K19AT Series, K19BA Series and K19CA Series | 30 – 40 mV | None |
| K17AT-72H | 72 in. (1829 mm) | Honeywell Q337, Robertshaw T26, BASO K19AT Series, Johnson Controls K19AA Series, K19AT Series, K19BA Series, K19CA Series and White Rodgers H06E-72 | 30 – 40 mV | None |

Notes: Connects to valves with 11/32-32 male nut connector
 Open Circuit: 25 mV minimum
 Closed Circuit: 8 mV minimum
 Maximum Hot Junction Temperature: 700°C (1292°F)



BASO Gas Products LLC

K17DA, K17LM, K17RA, and K17SL Series Low Mass Thermocouples

Description

Our K17DA, K17RA and K17LM Series are all low mass, quick drop out thermocouples with standard threads and the K17SL Series are metric threads all used with natural or LP gases. Applications are fireplaces, fire pits, and BBQ units that require a quick response thermocouple to shut down the safety valves.

Agency Listing

- None

Note:

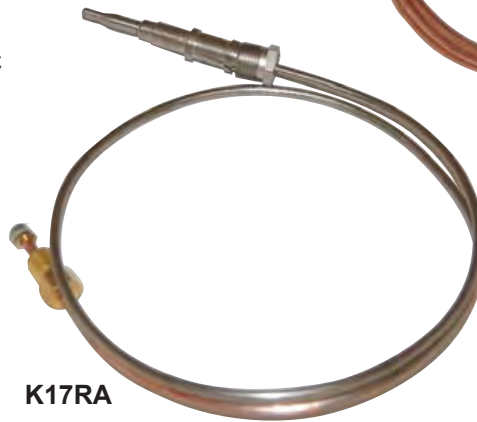
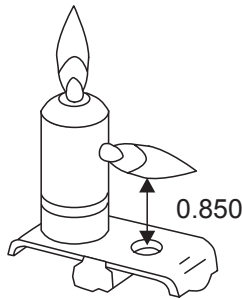
- The optimum distance for proper flame reading is 0.850 in. (21.6 mm). Anything over that will not function properly, causing malfunction of equipment.
- K17RA series are nickel plated for protection from corrosive elements.
- K17SL series is the same as the K17LM series except with metric threads M8
- Models K17DA and K17RA cannot be used with J990MDA-2H pilot burner.
- Open circuit: 17 mV minimum
- Closed circuit: 8 mV minimum
- Maximum Hot junction temperature: 700°C (1292°F)



K17DA



K17LM



K17RA

Selection Chart

| Part Number | Length | Replaces | Open Circuit mV Range |
|-------------|-----------------|--|-----------------------|
| K17DA-27H | 27 in. (686mm) | Robertshaw 1960-027 Mendota 05-07-00062 | 30 – 40 mV |
| K17DA-36H | 36 in. (914 mm) | N/A | 30 – 40 mV |
| K17RA-27H | 27 in. (686mm) | N/A | 30 – 40 mV |
| K17RA-36H | 36 in. (914 mm) | N/A | 30 – 40 mV |
| K17LM-27H | 27 in. (686mm) | N/A | 30 – 40 mV |
| K17LM-36H | 36 in. (914 mm) | N/A | 30 – 40 mV |
| K17SL-27H | 27 in. (686mm) | SIT 0.200.044 | 30 – 40 mV |
| K17SL-36H | 36 in. (914 mm) | SIT 0.200.047 | 30 – 40 mV |



BASO Gas Products LLC

K19 Series Universal Thermocouple

Description

K19 Universal thermocouples are designed to be used in many thermoelectric applications where standing pilots are needed. This style of thermocouple, based on the fact that it is a universal adaption design, makes it a compatible replacement with other manufacturers' standing pilots. The universal kit comes with two adapters and a spring clip.



Agency Listing

- CSA (AGA/CGA) Certificate number 229521-1656071

Selection Chart

| Part Number | Length | Replaces | Open Circuit mV Range | Agency |
|------------------|---------------------|--|-----------------------|--------|
| K19AT-18H | 18 in. (457 mm) | Honeywell Q337, Robertshaw T26, BASO K17, Johnson Controls K19AA, K19AT-1000, -2000, -3000, -4000, -5000, -6000, -7000, -8000, -9000, K19BA, K19CA | 25 – 35 mV | CSA |
| K19AT-24H | 24 in. (610 mm) | Honeywell Q337, Robertshaw T26, BASO K17, Johnson Controls K19AA, K19AT-1000, -2000, -3000, -4000, -5000, -6000, -7000, -8000, -9000, K19BA, K19CA | 25 – 35 mV | CSA |
| K19AT-30H | 30 in. (762 mm) | Honeywell Q337, Robertshaw T26, BASO K17, Johnson Controls K19AA, K19AT-1000, -2000, -3000, -4000, -5000, -6000, -7000, -8000, -9000, K19BA, K19CA | 25 – 35 mV | CSA |
| K19AT-36H | 36 in. (914 mm) | Honeywell Q337, Robertshaw T26, BASO K17, Johnson Controls K19AA, K19AT-1000, -2000, -3000, -4000, -5000, -6000, -7000, -8000, -9000, K19BA, K19CA | 25 – 35 mV | CSA |
| K19AT-48H | 48 in. (1219 mm) | Honeywell Q337, Robertshaw T26, BASO K17, Johnson Controls K19AA, K19AT-1000, -2000, -3000, -4000, -5000, -6000, -7000, -8000, -9000, K19BA, K19CA | 25 – 35 mV | CSA |
| K19AT-60H | 60 in. (1524 mm) | Honeywell Q337, Robertshaw T26, BASO K17, Johnson Controls K19AA, K19AT-1000, -2000, -3000, -4000, -5000, -6000, -7000, -8000, -9000, K19BA, K19CA | 25 – 35 mV | CSA |
| K19AT-72H | 72 in. (1829 mm) | Honeywell Q337, Robertshaw T26, BASO K17, Johnson Controls K19AA, K19AT-1000, -2000, -3000, -4000, -5000, -6000, -7000, -8000, -9000, K19BA, K19CA | 25 – 35 mV | CSA |

Notes: Connects to valves with 11/32-32 male nut connector
 Open Circuit: 17 mV minimum
 Closed Circuit: 8 mV minimum
 Maximum Hot Junction Temperature: 1300°F (704°C)

Thermopiles



BASO Gas Products LLC

T36A1 Series Universal Thermopile

Description

The T36A1-1 universal thermopile kit comes complete with an adapter for easy assembly into the pilot burner. Spade terminals are used for connecting to a millivolt gas valve. Other lengths may be made available depending upon customer requirements.



Agency Listing

- CSA Certificate number 266008-70058298

Selection Chart

| Part Number | mV Range | Connection | Length | Gas |
|-------------|--------------|-----------------|-----------------|-------------------|
| T36A1-1H | 600 – 750 mV | Spade, Terminal | 36 in. (914 mm) | Natural gas or LP |

Universal Kit Contents

(1) Thermopile; (1) PG9 Adapter (BPG9-1)*; (1) Clip, Spring (SPC11-1)*

*Both items can be purchased separately; see page 72.

Used with Pilot Burners: Q314, Q324, Q327, Q377, Q379 and Q382

Replaces Models:

| White Rodgers | Robertshaw | Honeywell | Jade Controls |
|---------------|--------------------------|---|-----------------|
| G01A-502 | A-1950-532 A-1950-001 | Q313A1139 Q313A1170 Q313A1188 *Q313A1022 | JH-36 JHA-36 |

Note: Functionally the same.

T36B0 Series Universal Coaxial Thermopile

Description

The T36B0-1 universal coaxial thermopile kit comes complete with an adapter for easy assembly into the pilot burner. Other lengths may be made available depending upon customer requirements.



Agency Listing

- CSA Certificate number 266008-70058298

Selection Chart

| Part Number | mV Range | Connection | Length | Gas |
|-------------|--------------|------------|-----------------|-------------------|
| T36B0-1H | 250 – 750 mV | Coaxial | 36 in. (914 mm) | Natural gas or LP |

Universal Kit Contents

(1) Thermopile; (1) PG9 Adapter (BPG9-1)*; (1) Clip, Spring (SPC11-1)*

*Both items can be purchased separately; see page 72.

Replaces Models:

| Robertshaw |
|-------------------|
| 1951-001; 951-536 |



BASO Gas Products LLC

Thermocouple and Thermopile (Millivolt Generator) Accessories

Description



These are components that are used to attach the thermocouple or thermopile to a pilot burner or bracket.

Selection Chart (Thermocouple Accessories)

Packaged 1 per bag.

| Part Number | Description | Length | Thread |
|--|---------------------------------------|-----------|--|
|  27532-4000H | Snap Ring Clip | 0.460 in. | Fits 0.325 Diameter Hole |
|  31543-3H | Terminal Nut | 0.531 in. | Transition Female 7/16-27 to 11/32-32 Thread |
|  38323-2H | Lead Adapter | 0.594 in. | 1/2-24 Thread |
|  61659-1H | Thermocouple Adapter Assembly (K16WT) | 0.985 in. | Transition Male 7/16-27 to 11/32-32 Thread |
|  ADP4000-2H | Lead Adapter (K17 or K19) | 1.065 in. | 7/16-27 Thread |
|  BSG73-4000H | Bushing Adapter | 0.250 in. | 0.244 in. Diameter |

Selection Chart (Thermopile Accessories)

| Part Number | Description | Length | Diameter |
|---|--------------------|--------|----------|
|  BPG9-1H | Thermopile Adapter | 1.800 | N/A |
|  SPC11-1H | Spring Clip | 0.379 | N/A |

Thermocouple Accessories



BASO Gas Products LLC

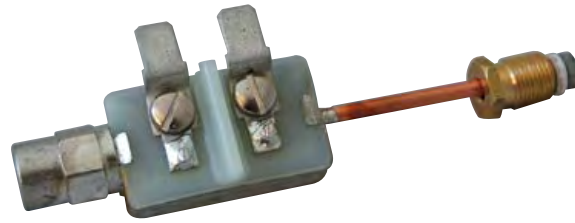
Y99AN Series Junction Block

Description

Y99AN Series junction blocks are used for high limit or spill switches. The use of this junction block will put the power unit in series with the switch and thermocouple so the gas valve's thermoelectric device will shut off when a pilot flame failure occurs and the switch opens.

Agency Listing

- None.



Y99AN-1



Y99AN-17

Selection Chart

| Part Number | Spade Connections | Replaces |
|-------------|-------------------|----------------|
| Y99AN-1H | 1/4 Male | TCA-1 |
| Y99AN-17H | 1/4 Male | TCA-1, Y99AN-1 |

Note: Threads to a 11/32-32 male nut and 11/32-32 female nut



BASO Gas Products LLC

Y99AL Series Test Couple

Description

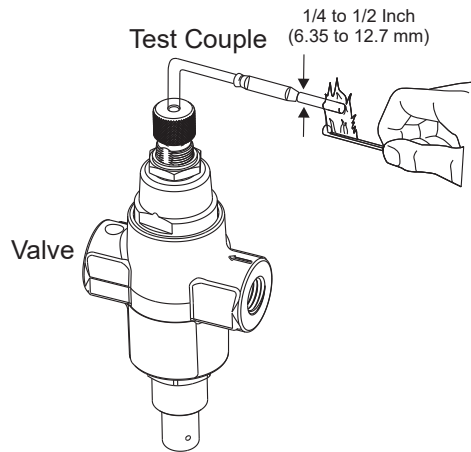
The Y99AL Series test thermocouple is a quick way to test thermoelectric valves for proper function.

Agency Listing

- None.

Selection Chart

| Part Number | Spade Connections |
|-------------|--|
| Y99AL-1H | 7/16-27 UNS Female Thread or 11/32-32 UNS Male Thread |



Thermocouple-Operated
Combination Gas Valves



Accessories





BASO Gas Products LLC

Y99AB-4 BASO® Test Kit / Y99TB-1 Thermocouple Quick Tester



Description

The Y99AB-4 test kit combines four test functions to enable service contractors to test thermocouples and BASO® controls in the field. These four functions are:

- Millivoltmeter with 0 to 50 and 0 to 1000 ranges for checking the open and closed circuit millivoltage of thermocouple leads.
- Performance Tester with a source of power for holding open BASO® power units while taking open circuit millivolt readings of the thermocouple when the main burner is in operation.
- Millimeter with a 0 to 500 (50 on scale) range for checking the current dropout range of BASO® power unit assemblies. (Ten milliamperes for each division on the dial.)
- Continuity Tester for detecting a broken or open circuit.

Selection Chart

| Part Number | Description |
|-------------|-------------|
| Y99AB-4C | Test Kit |

General Instructions

When using the test kit, secure the plugs by inserting them squarely into the jacks. Thermocouple adapters and nuts must be clean and tight. Any meter fluctuation caused by the movement of these parts may be due to loose connections. Poor connections cause false readings. Three "D" size batteries are required.

Agency Listing

- None

Description

The Y99TB-1 Thermocouple Tester makes for quick review of a potential faulty thermocouple. This is an inexpensive way to quickly test a thermocouple.

Selection Chart

| Part Number | Description |
|-------------|---------------------|
| Y99TB-1H | Thermocouple Tester |

General Instructions

Attach the threaded end of the thermocouple to the threaded end of the tester. Tighten by hand and finish tightening 1/8 turn with an open-end wrench. Apply a flame to the thermocouple tip and compress the spring. If it does not spring back, the thermocouple is good.

Agency Listing

- None

Accessories



BASO Gas Products LLC

BGD258 or GM7000 Series Combination Gas Valve Regulator Conversion Kits

Description

GM-70 conversion kits are used in bgc258, BGD258 and GM model gas valves. These conversion kits can be used to change a regulator from natural gas to LP or from LP to natural gas operation. The GM-70-CBP kit can also be used to convert from a regulating valve to a non-regulating valve.

Each regulating GM-70-CLP or GM-70-CNG conversion kit contains the following:

- (1) regulator spring
- (1) adjusting screw
- (1) seal screw
- (1) caution label

The non-regulating GM-70-CBP conversion kit contains the following:

- (1) blank plate
- (1) gasket
- (4) self-tapping mount screws
- (1) caution label

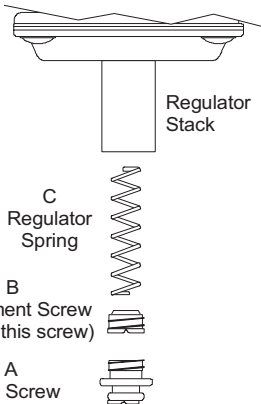


Regulator Conversion Kit, LP to Natural Gas

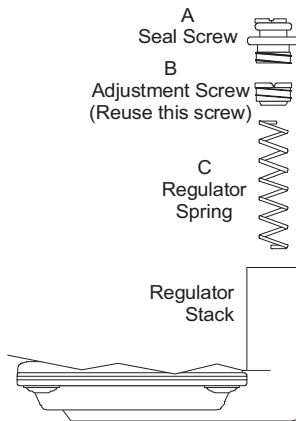


Regulator Conversion Kit, Natural Gas to LP

Bottom Adjust Regulator



Top Adjust Regulator



Non-Regulating Conversion Kit

Selection Chart

| Part Number | Regulator Adjustment Type | Conversion To |
|------------------|---------------------------|---|
| GM-70-CLP | Bottom Adjust LP | 9 to 12 in. WC (22.5 to 30 mbar) |
| GM-70-CNG | Bottom Adjust Natural | 3 to 5 in. WC (7.5 to 12.5 mbar) |
| GM-70-CBP | Top or Bottom Adjust | Natural gas or LP Regulation to Non-Regulation |
| Y71GB-1H | Top Adjust LP | 8 to 12 in. WC (22.5 to 30 mbar) |
| Y71QC-1H | Top Adjust Natural | 3 to 5 in. WC (7.5 to 12.5 mbar) |



BASO Gas Products LLC

Replacement Potted Coils

Description

BASO® RSDA Series DIN style 43650 Form B connection 1/4" male spade replacement coils are electrically operated. Only use genuine BASO® coils when repairing a BASO® valve. The use of any other manufacturers' coils will not work to the original tested and certified products. For ease of coil identification, review colored voltages before replacing. For further information relating to the replacement coils, please contact BASO® Gas Products LLC.



Replacement solenoid coils for gas valve series

BGA158, BGA171, BGA110, BGD258, GM7000, BGC258, BGD278, BGC278, G96 or G960

Selection Chart

| Part Number | Description | Coil Color |
|----------------|---------------------------------------|------------|
| ▲ RSDA95A-12C | 12 VDC; 2-tab 10.5 VA Coil | Red |
| ▲ RSDA95A-25C | 25 VAC; 50/60 Hz; 3-tab 10.5 VA Coil | Green |
| ▲ RSDA95A-25VC | 25 VDC; 3-tab 11.5 VA Coil | Green |
| ▲ RSDA95A-25AC | 25 VAC; 50/60 Hz; 2-tab 10.5 VA Coil | Green |
| ▲ RSDA95A-120C | 120 VAC; 50/60 Hz; 3-tab 10.5 VA Coil | Blue |
| ▲ RSDA95A-240C | 240 VAC; 50/60 Hz; 3-tab 10.5 VA Coil | Black |

▲ means bulk pack is available upon request.

Replacement solenoid coils for gas valve series BGA158, BGA171, BGA110, BGD258, BGC278, BGD278, B21, G96 or H96

Selection Chart

| Part Number | Description | Coil Color |
|----------------|-------------------------------------|------------|
| ▲ RSDA16A-12C | 12 VDC; 2-tab 15 VA Coil | Red |
| ▲ RSDA16A-25C | 25 VAC; 50/60 Hz; 3-tab 15 VA Coil | Green |
| ▲ RSDA16A-25VC | 25 VDC; 3-tab 17 VA Coil | Green |
| ▲ RSDA16A-25AC | 25 VAC; 50/60 Hz; 2-tab 15 VA Coil | Green |
| ▲ RSDA16A-120C | 120 VAC; 50/60 Hz; 3-tab 15 VA Coil | Blue |
| ▲ RSDA16A-240C | 240 VAC; 50/60 Hz; 3-tab 15 VA Coil | Black |
| ▲ RSDA17A-B12C | 12 VDC; 2-tab 17 VA Coil | Brown |
| ▲ RSDA17A-24C | 24 VDC; 2-tab 17 VA Coil | Natural |

▲ means bulk pack is available upon request.

Replacement solenoid coils for gas valves series BGA158, BGA171, BGA110, BGD258, BGC258, BGD278, BGC278, G96 or H96 (these coils are sealed to minimize issues where moisture may be present)

Selection Chart

| Part Number | Description | Coil Color |
|-----------------|-----------------------------|------------|
| ▲ RSDA95A-E12C | 12 VAC; 2-tab 10.5 VA Coil | Red |
| ▲ RSDA95A-E25C | 25 VAC; 3-tab 10.5 VA Coil | Green |
| ▲ RSDA95A-E120C | 120 VAC; 3-tab 10.5 VA Coil | Blue |
| ▲ RSDA95A-E240C | 240 VAC; 3-tab 10.5 VA Coil | Black |
| ▲ RSDA16A-E12C | 12 VAC; 2-tab 15 VA Coil | Red |
| ▲ RSDA16A-E25C | 25 VAC; 3-tab 15 VA Coil | Green |
| ▲ RSDA16A-E120C | 120 VAC; 3-tab 15 VA Coil | Blue |
| ▲ RSDA16A-E240C | 240 VAC; 3-tab 15 VA Coil | Black |

▲ means bulk pack is available upon request.

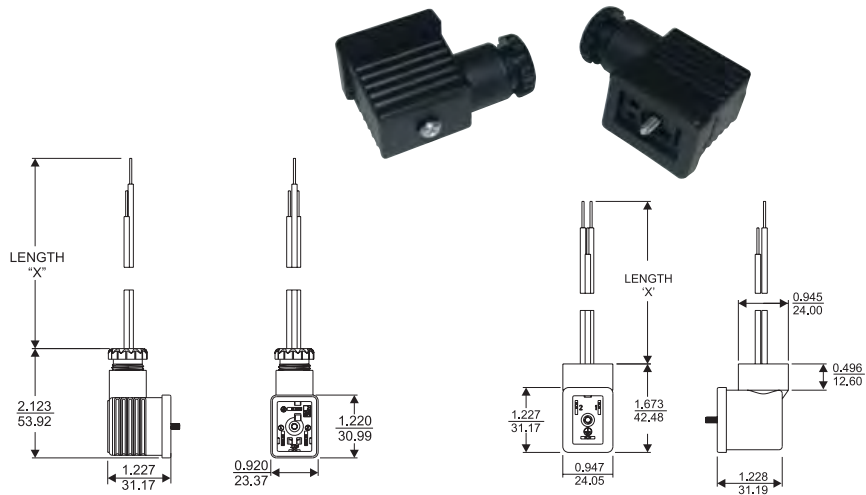


BASO Gas Products LLC

SVC Series Connector

Description

The SVC Series DIN Style 43650 Form B is used in conjunction with wires to connect to the BASO® potted solenoids. The DIN connector provides a protective enclosure for the terminals. The distinct advantage of using a DIN connector is the added strain relief protection from wire stress and it is easier for service people to remove and connect. The gasket will provide an additional protection to the terminals from outside infiltration of dust and moisture.



SVC200-1

SVC210-1

Selection Chart

| | Part Number | Style | Rating Protection | Construction | With Connector |
|---|-------------|--------------|-------------------|--------------|-----------------|
| ▲ | SVC200-1H | 43650 Form B | IP65 | Overmolded | Cable Socket |
| ▲ | SVC210-1H | 43650 Form B | IP65 | Overmolded | Conduit 1/2 NPT |

▲ means bulk pack is available upon request.

Note: SVC Series DIN connector comes with gasket and attachment screw.

Pre-wired DIN connectors are available in lengths from 10 to 90 inches in increments of 10 inches.

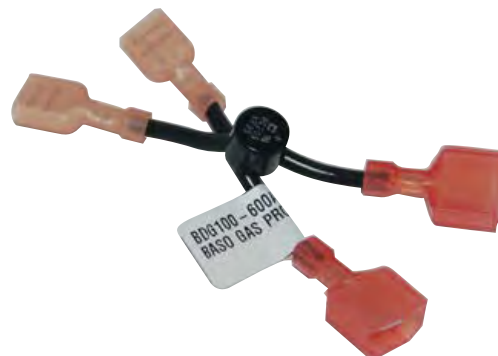
Accessories

BDG100A-600 Series In-Line Rectifier

Description

The BDG100A-600 series in-line rectifier allows you to easily connect to an "AC" voltage and convert to a "DC" voltage.

Note: The voltage must be equal AC to DC when using the in-line rectifier. Example: 120 VAC step down to 24 VAC, then use the in-line rectifier to achieve 24 VDC.



Selection Chart

| Part Number | Connections | Connections |
|-------------|-----------------|---------------|
| BDG100A-600 | 1/4" Female (2) | 1/4" Male (2) |



BASO Gas Products LLC

KT Series Flange Assembly Kits

Description

The KT Series flange assemblies are used as a valve extension which allows the easy removal of the valve during servicing or replacement without having to remove piping. The flange assembly stays attached to the piping while you slide the valve out. Loosening the four cap screws with a 9/64 hex allen wrench allows you to simply slide the valve out. The elbow gives you the option to rotate in four different positions to mate with your pipe. We offer 3/8 or 1/2 NPT or BSPT depending on your application needs.



Agency Listing

- None

Selection Chart (1 per pack; includes O-ring and hardware)

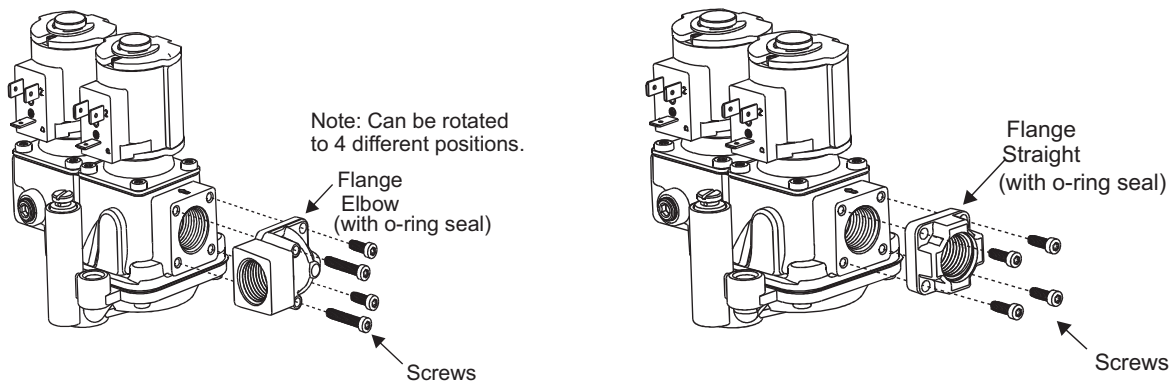
| | Part Number | Pipe Size (Inlet/Outlet) | Flange Type | Hardware | Replaces Honeywell | Will Not Replace Honeywell |
|---|-------------|--------------------------|-------------|----------|-----------------------|----------------------------|
| ▲ | KTS38N-1H | 3/8-18 NPT | Straight | Included | 393690-1 or 393690-11 | N/A |
| ▲ | KTE38N-1H | 3/8-18 NPT | Elbow | Included | N/A | 393690-2 or 393690-12 |
| ▲ | KTS50N-1H | 1/2-14 NPT | Straight | Included | 393690-6 or 393690-16 | N/A |
| ▲ | KTE50N-1H | 1/2-14 NPT | Elbow | Included | N/A | 393690-3 or 393690-13 |
| ▲ | KTS38B-1H | 3/8-19 BSPT | Straight | Included | N/A | N/A |
| ▲ | KTE38B-1H | 3/8-19 BSPT | Elbow | Included | N/A | N/A |
| ▲ | KTS50B-1H | 1/2-14 BSPT | Straight | Included | N/A | N/A |
| ▲ | KTE50B-1H | 1/2-14 BSPT | Elbow | Included | N/A | N/A |

▲ means bulk pack is available upon request.

Note: The BASO flange hole pattern will not match the Honeywell VR series.

The Honeywell VK series hole pattern will match the BASO flanges.

O-Ring Replacement Kit (KTRNG61-118) contains (2) rings.





BASO Gas Products LLC

Y57 Series High Voltage Flame Sensor Wire Harness

Description

Y57 high voltage cables are used in electronic ignition applications and connects the ignition control with the pilot burner spark electrode. The Y57 flame sensor cable is used in electronic ignition applications and connects the ignition control with the flame sensor.

Specifications

- Silicone and Teflon high voltage wire maximum temperature: 482°F (249°C)
- Silicone flame sensor wire maximum temperature: 302°F (150°C)

Agency Listing

- None



High Voltage Wire



Flame Sensor Wire

Selection Chart

| | Part Number | Cable Type | Wire Length | Wire Insulation | Terminals | Connector Style |
|---|-------------|--------------|-------------------|-----------------|----------------------------|---------------------|
| ▲ | Y57BD-31C | High Voltage | 31 in. (787 mm) | 5 mm Silicone | (2) Straight Rajah | (2) Straight |
| ▲ | Y57BD-52C | High Voltage | 52 in. (1,320 mm) | 5 mm Silicone | (2) Straight Rajah | (2) Straight |
| ▲ | Y57BD-61C | High Voltage | 61 in. (1,549 mm) | 5 mm Silicone | (2) Straight Rajah | (2) Straight |
| ▲ | Y57CQ-2C | High Voltage | 30 in. (762 mm) | 5 mm Silicone | Angled Rajah and Pin | Angled |
| | Y57FG-36C | High Voltage | 36 in. (914 mm) | 5 mm Silicone | (2) Straight Rajah | (2) Straight |
| ▲ | Y57HH-36C | Flame Sensor | 36 in. (914 mm) | 18 AWG Silicone | (2) Female Straight Arkles | N/A |
| | Y57HH-48C | Flame Sensor | 48 in. (1,219 mm) | 18 AWG Silicone | (2) Female Straight Arkles | N/A |
| | Y57HP-36C | Flame Sensor | 36 in. (914 mm) | 18 AWG Silicone | (2) Female Straight Arkles | N/A |
| | Y57JH-27C | Flame Sensor | 27 in. (686 mm) | 18 AWG Silicone | (2) Female Straight Arkles | Insulated Terminals |
| ▲ | Y57LH-36C | High Voltage | 36 in. (914 mm) | 5 mm Silicone | (2) Female Straight Arkles | Insulated Terminals |
| ▲ | Y57SV-32C | High Voltage | 32 in. (813 mm) | 20 AWG Teflon | (2) Female Angled Rajah | Angled |

▲ means bulk pack is available upon request.



BASO Gas Products LLC

Y70 Series Gas Valve Thread Grease

Description

Y70 Series grease is specifically compounded to provide excellent lubrication at temperatures ranging from 32° to 175°F. It does not run at high temperature and remains pliable at low temperature.

Agency Listing

- None

Selection Chart

| Part Number | Description |
|-------------|-----------------------|
| Y70AA-1C | One 2-1/2 oz. tube |
| Y70AA-2C | Carton of 12 tubes |
| Y70AA-5C | One gallon container |
| Y70AA-6C | 55 gallon drum |
| Y70AA-7C | Five gallon container |
| Y70AA-8C | Single use container |



Accessories



BASO Gas Products LLC

Y71 Series Combination Gas Valve Regulator Conversion Kits

Description

Y71 conversion kits are designed to be used with all BASO® G series, BGD278 series, BGC278 series and VLV gas valves (excludes G292 and G92). These conversion kits can be used to change a regulator from natural gas to LP or from LP to natural gas operation. The Y71AA kit can also be used to convert from a regulating valve to a non-regulating valve.

Each regulating Y71 conversion kit contains the following:

- (1) regulator spring
- (1) seal screw
- (1) caution label

The non-regulating Y71 conversion kit contains the following:

- (1) blank plate
- (1) gasket
- (4) self-tapping mount screws
- (1) caution label



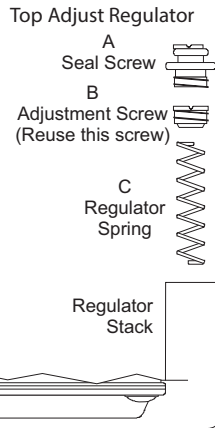
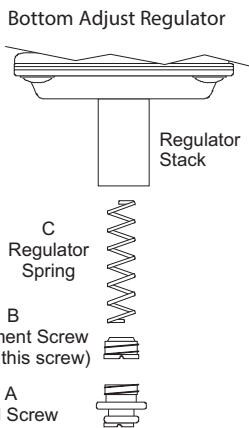
Regulator Conversion Kit, LP to Natural Gas



Regulator Conversion Kit, Natural Gas to LP



Non-Regulating Conversion Kit



Selection Chart

| Part Number | Regulator Adjustment Type | Conversion |
|-------------|---------------------------|--|
| Y71GF-4 | Top Adjust | Natural Gas to LP Regulation |
| Y71GF-3 | Bottom Adjust | Natural Gas to LP Regulation |
| Y71QH-2C | Top Adjust | LP to Natural Gas Regulation |
| Y71QH-3C | Bottom Adjust | LP to Natural Gas Regulation |
| Y71AA-5C | Top or Bottom Adjust | Natural Gas or LP Regulation to Non-Regulation |



BASO Gas Products LLC

Y75 Series Replacement Flame Sensor Rod

Description

Y75 Series flame sensors may be used to replace broken or damaged sensing probes in various electronic ignition control systems.

The Y75AA, Y75AH, Y75BA and Y75GB are individually (1) packed in a plastic bag. The Y75AS and Y75BS are packed two per plastic bag. The Y75EG and Y75RJ are individually (1) packed in a box.

Agency Listing

- CSA (AGA/CGA) Certificate number 229521-1656071

Selection Chart



| Part Number | Mounting Type | Terminals | Electrode Protrusion Outside Ceramic |
|-------------|--------------------|--|--------------------------------------|
| Y75AA-10C | Nut 7/16-27 Thread | Male Spade Bent 90° | 1.035 in. |
| ▲ Y75AA-12C | Nut 7/16-27 Thread | Male Spade Bent 90° | 3.192 in. |
| ▲ Y75AA-17C | Nut 7/16-27 Thread | Male Spade Bent 90° | 1.415 in. |
| ▲ Y75AA-2C | Nut 7/16-27 Thread | Male Spade Straight | 1.160 in. |
| Y75AA-20C | Nut 7/16-27 Thread | Male Spade Bent 90° | 0.840 in. |
| ▲ Y75AA-3C | Nut 7/16-27 Thread | Male Spade Bent 90° | 1.317 in. |
| ▲ Y75AA-4C | Nut 7/16-27 Thread | Male Spade Straight | 1.415 in. |
| ▲ Y75AA-5C | Nut 7/16-27 Thread | Male Spade Straight | 3.192 in. |
| ▲ Y75AA-6C | Nut 7/16-27 Thread | Male Spade Straight | 2.630 in. |
| ▲ Y75AA-7C | Nut 7/16-27 Thread | Male Spade Straight | 1.035 in. |
| ▲ Y75AA-8C | Nut 7/16-27 Thread | Male Spade Straight | 0.940 in. |
| ▲ Y75AA-9C | Nut 7/16-27 Thread | Male Spade Straight | 0.692 in. |
| ▲ Y75AH-1C | Spring Clip | Male Spade Straight | 1.156 in. |
| ▲ Y75AH-2C | Spring Clip | Male Spade Straight | 0.930 in. |
| ▲ Y75AH-3C | Spring Clip | Male Spade Straight | 3.192 in. |
| *Y75AS-1H | Nut 7/16-27 Thread | Male Spade Bent 90° | 1.317 in. |
| *Y75AS-2H | Nut 7/16-27 Thread | Male Spade Straight | 1.415 in. |
| ▲ Y75BA-1C | Nut 7/16-27 Thread | Male Spade Straight | 0.896 in. |
| ▲ Y75BA-12C | Nut 7/16-27 Thread | Male Spade Straight | 0.760 in. |
| ▲ Y75BA-13C | Nut 7/16-27 Thread | Male Spade Straight | 0.580 in. |
| ▲ Y75BA-3C | Nut 7/16-27 Thread | Male Spade Straight | 1.415 in. |
| ▲ Y75BA-4C | Nut 7/16-27 Thread | Male Spade Straight | 0.690 in. |
| *Y75BS-1C | Nut 7/16-27 Thread | Male Spade Straight | 1.410 in. |
| ▲ Y75CA-1C | Nut 7/16-27 Thread | Male Spade Straight | 0.562 in. |
| *Y75EG-1C | N/A | Threads on Probe and Electrode | N/A |
| ▲ Y75GB-1C | "H" Type Flat | Male Spade Straight | 1.820 in. |
| *Y75RJ-1C | Retrofit Kit | 27 in. Cable w/Male Spade Straight Rajah | N/A |
| *Y75RJ-2C | Retrofit Kit | 48 in. Cable w/Male Spade Straight Rajah | N/A |

▲ means bulk pack is available upon request.

*Not CSA certified

Only licensed service professionals of the original equipment manufacturer or trained licensed contractors are approved to install or service BASO Gas Products. BASO Gas Products shall not be liable for damages resulting from misapplication or misuse of its products.



BASO Gas Products LLC

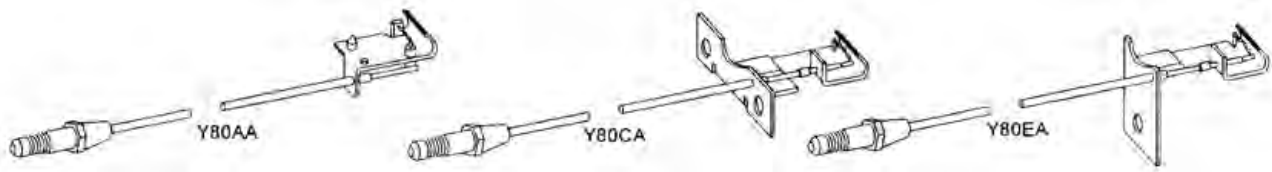
Y80 Series Ignition Glow Coils

Description

Y80 Series glow coils are designed for use with G19, G21 and G29 ignition systems.

Selection Chart

| Part Number | Length |
|-------------|--------|
| Y80AA-48C | 48 in. |
| Y80CA-48C | 48 in. |
| Y80EA-36C | 36 in. |
| Y80HA-24C | 24 in. |





BASO Gas Products LLC

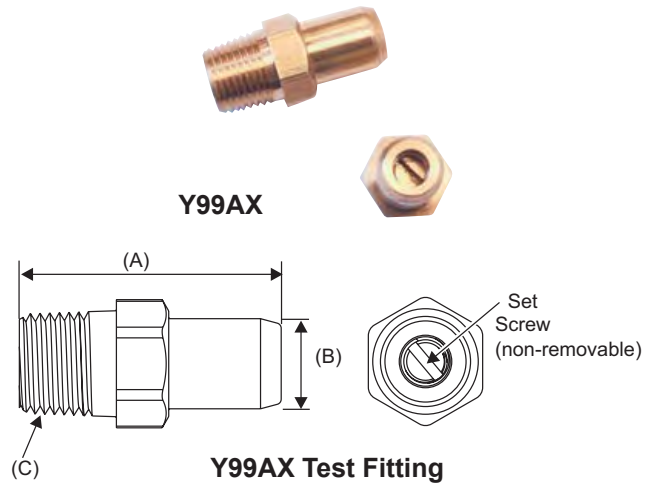
Y99AX Series Pressure Test Fittings/ Y99AP BASO® Valve Connection Reducer

Description

Y99AX pressure test fittings are used for quick connection to a manometer to measure outlet or inlet pressure. Once the pressure is measured, the set screw can be closed and the Y99AX fitting can be left in the gas valve body.

Agency Listing

- None; meets EN Std 126.



Y99AX Dimensions

| Part Number | (A) Length | (B) Tip Diameter | (C) Thread |
|-------------|------------|------------------|-------------|
| ▲ Y99AX-1H | 1.00 in. | 0.345 in. | 1/8-27 NPT |
| ▲ Y99AX-2H | 1.00 in. | 0.345 in. | 1/8-28 BSPT |
| ▲ Y99AX-5H | 1.00 in. | 0.282 in. | 1/8-27 NPT |
| ▲ Y99AX-6H | 1.00 in. | 0.282 in. | 1/8-28 BSPT |

▲ means bulk pack is available upon request.

Description

The Y99 valve connection reducer kit allows easy conversion of any valve or regulator pipe connections in the field. The kit does not alter the overall face-to-face dimensions. The Y99AP-1 and -2 kits contain BASO® brand grease, a wrench and four male and female bushings. Each kit is individually packed in a plastic bag. The Y99AP-3 and -4 kits contain 10 reducer bushings per box.

Agency Listing

- None



Y99AP

Selection Chart

| Part Number | Reducer Size NPT |
|-------------|--|
| Y99AP-1H | 1/2 in. male to 3/8 in. female (4 bushings, grease and wrench) |
| Y99AP-2H | 3/4 in. male to 1/2 in. female (4 bushings, grease and wrench) |
| Y99AP-3D | 1/2 in. male to 3/8 in. female (10 bushings) |
| Y99AP-4D | 3/4 in. male to 1/2 in. female (10 bushings) |



BASO Gas Products LLC

Y99AY and Y99HY Series Manually Operated Pilot Adjust Adapter

Description

Y99AY Series Manually Operated Pilot Adjust Adapter Fittings are used to change flame height to the pilot burner device requiring lower BTU/hr. Each straight pilot valve comes with an adjustment screw, which allows for precision pilot flame adjustments. Available in single pack or bulk pack (50 per box).

Selection Chart

| Part Number | A Thread Size | B Thread Size |
|-------------|---------------|---------------|
| Y99AY-1C | 1/8 NPT | 3/16 CC |
| Y99AY-2C | 1/8 NPT | 1/4 CC |

Rated 0.5 psi.

Agency listing

- CSA (AGA/CGA) Certificate number 1258559-112051

Description

Y99AY Series Manually Operated Pilot Adjust Adapter Fittings are used to change flame height to the pilot burner device requiring lower BTU/hr. Each 90° pilot valve comes with an adjustment screw, which allows for precision pilot flame adjustments. Available in single pack or bulk pack (50 per box).

Selection Chart

| Part Number | A Thread Size | B Thread Size |
|-------------|---------------|---------------|
| Y99AY-3C | 1/8 NPT | 3/16 CC |
| Y99AY-4C | 1/8 NPT | 1/4 CC |

Rated 0.5 psi.

Agency listing

- CSA (AGA/CGA) Certificate number 1258559-112051

Description

Y99HY Series Manually Operated Pilot Adjust Adapter Fitting can be used with higher pressure output to change the flame height to the pilot burner.

Specifications

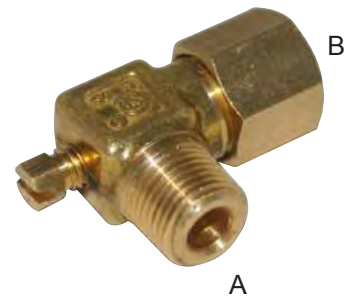
- Rated working pressure: 50 psi
- Permissible ambient (surface) temperature: -40° to 175°F (-40° to 79°C)
- Flow: Bi-directional

Selection Chart

| Part Number | A Thread Size | B Thread Size |
|-------------|---------------|---------------|
| Y99HY-1C | 1/8 NPT | 1/8 NPT |
| Y99HY-2C | 1/4 NPT | 1/8 NPT |

Agency listing

- (AGA/CGA) Certification number 229521-70067751
- CSA (AGA/CGA) Certificate number 229521-1656041





BASO Gas Products LLC

Y99AR BASO® Pilot Burner Tubing

Description

Y99AR-1 Pilot Burner Tubing is a convenient way to stock and sell 1/4 in. outside diameter (OD) tubing. The pilot burner tubing is packed in a plastic bag with four 1/4 in. cc fittings. The 1/4 in. cc fittings are also sold separately, 50 fittings per carton. The Y99AR-2 is 1/8 in. pilot burner tubing packed with two fittings. The Y99AR-3 is 1/8 in. pilot burner tubing packed with four fittings. The 1/8 in. fittings are also sold separately, 50 fittings per carton.

Agency Listing

- None

Selection Chart

| Part Number | Description |
|-------------|--|
| Y99AR-1H | 1/4 in. x 60 in. aluminum pilot gas tube |
| Y99AR-2H | 1/8 in. x 18 in. aluminum pilot gas tube |
| Y99AR-3H | 1/8 in. x 72 in. aluminum pilot gas tube |



Accessories

R23244-3 Red Button Replacement

Description

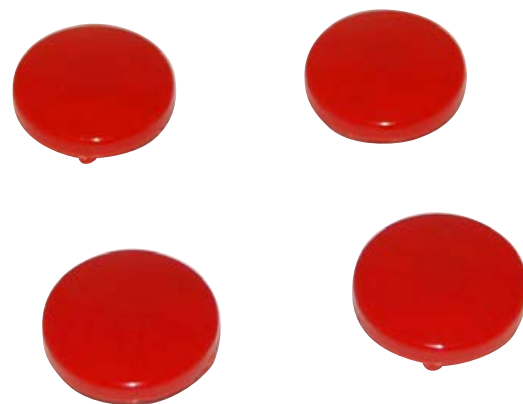
The red buttons are replacements for broken or discolored buttons used in BASO® products H15, G292, G92, G93 and H25.

Agency Listing

- None

Selection Chart

| Part Number | Color | Packaged |
|-------------|-------|----------|
| R23244-3H | Red | 4 |





BASO Gas Products LLC

BR Series Convertible Regulators

Description

The BR series is a poppet-style regulator designed for main and pilot line loads. Typical applications are commercial cooking, wall furnace, agricultural heaters, and other has heating equipment. The BR series regulator will work with natural, or LP at pressure up to 35 mbar (0.5psi).

Specifications

- Maximum inlet pressure: 0.5psi (3.4KPa)
- Inlet/outlet size 3/8 or 1/2 NPT
- Permissible ambient (surface) temperature: -20°F to 175°F (-29°C to 79°C)
- Emergency exposure limits: 2.5psi (17.2KPa)

Agency Listing

- CSA (AGR/CGA) Certificate number 271152-70157746



Selection Chart

| Part Number | Inlet/Outlet Size | Pressure Drop @ 0.3" W.C. |
|--------------------|-------------------|---------------------------|
| ▲ BR4E9C-1C | 1/2 x 1/2 NPT | 65,000 |
| BR3D9C-1C* | 3/8 x 3/8 NPT | 20,000 |

▲ means bulk pack is available upon request.

* Check availability with BASO.



BASO Gas Products LLC

R48629 BASO® Thermocouple Connector

Description

The R48629 thermocouple connector is an alternative option which can allow you to connect to other devices by harnessing the millivolt energy from the thermocouple.

Agency Listing

- None



R48629-2C



R48629-3C

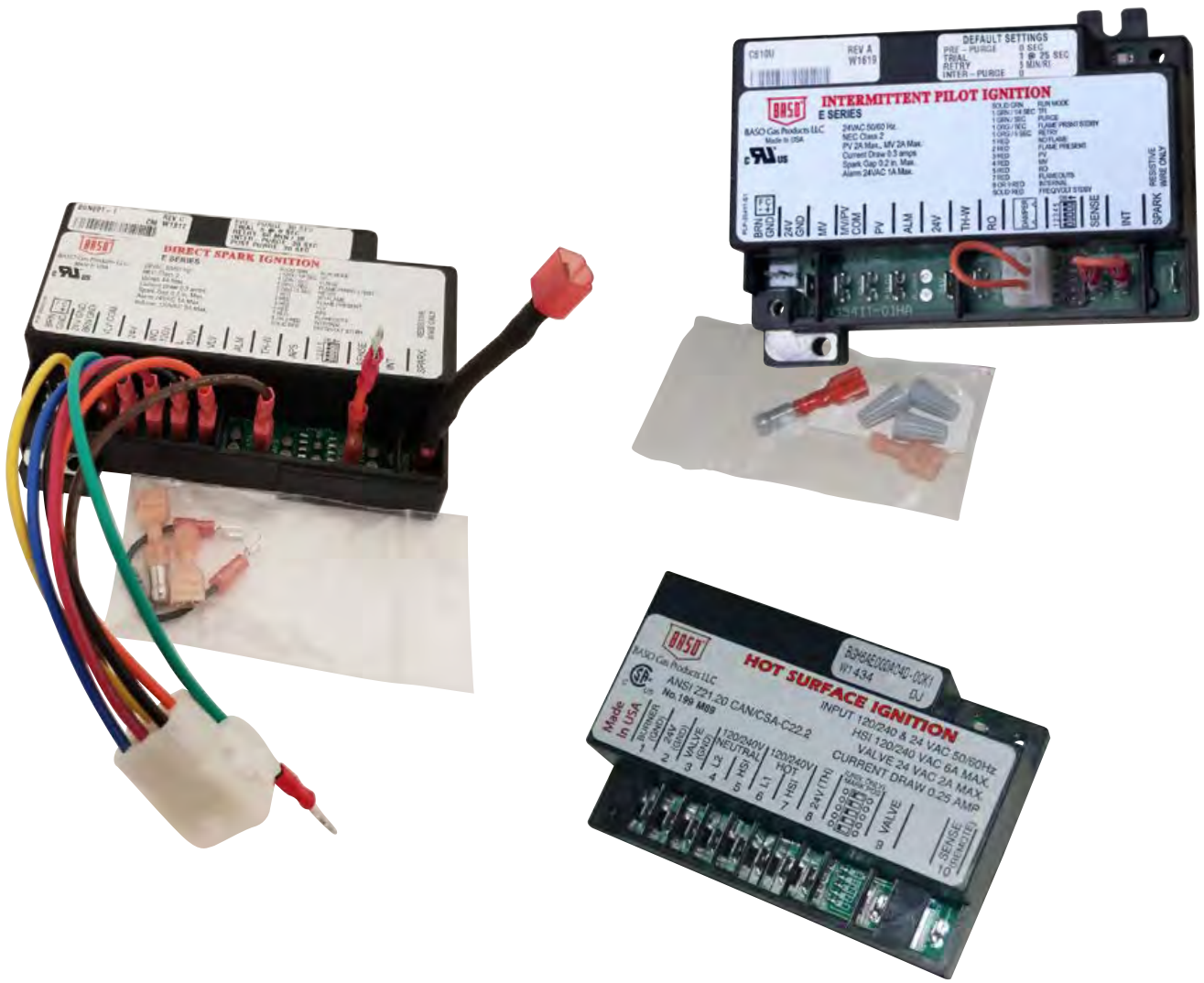
Selection Chart

| | Part Number | Description | Wire Length | Terminal |
|---|-------------|-------------------------|-------------|--------------------------------|
| ▲ | R48629-2C | Connector, Thermocouple | 12.25 (Ref) | None |
| ▲ | R48629-3C | Connector, Thermocouple | 9.25 (Ref) | Fits male terminal .110 x .032 |

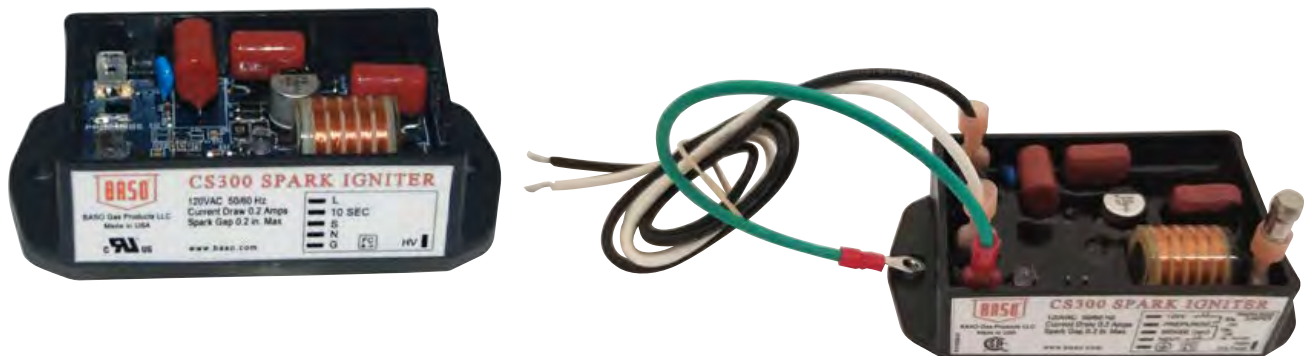
▲ means bulk pack is available upon request.

Note: If you have other wire lengths or connection needs, contact BASO® for design options.

Accessories



Ignition Control Modules





BASO Gas Products LLC

Spark Igniters (Pilot Relite Control) CS100, CS300 and CS600

Description

The CS100, CS300 and CS600 Spark Igniters are high voltage spark ignitions, microprocessor based, for use with intermittent pilot boilers, space heaters, dryers, rooftops, kilns, and other heating equipment. These spark igniters should only be used with systems that already have the appropriate pilot safety controls incorporated. All models have a flame retardant housing UL 94-0. Three color LED monitoring — Orange (stand-by); Green (normal); Red (fault). Terminals are ¼" quick connects. The spark igniters are compatible with natural or LP gas. Optional potted models are available for areas where dirt and moisture are present.

Warranty

- Two years

Specifications

- Control Voltages: 24VAC or 120VAC single or 24/120VAC dual voltages
- Pre-purge available in all models (0s, 10s, or 30 seconds jumper selectable)
- Continuous spark until pilot flame established
- Comes standard with internal flame sensing or optional remote sensing is available
- Diagnostic pins come standard to read a sensed flame
- Pre-purge is selectable by moving a jumper wire for 10 second, or 30 second, or No jumper for 0 seconds
- Continuous sparking until a proven flame and continuous retries as long as power is applied
- Operating Temperature: -40°F (-40°C) to 179°F (80°C)
- Spark Frequency: 30 Hz for CS100 and 60 Hz for CS300 and CS600
- Relative Humidity: 0% to 95% non-condensing

Agency Listing

- CSA C333501
- ANSI Z21.20-20-2014/C22.2 No 60730-2-5-14/C22.2 No 13

Selection Chart

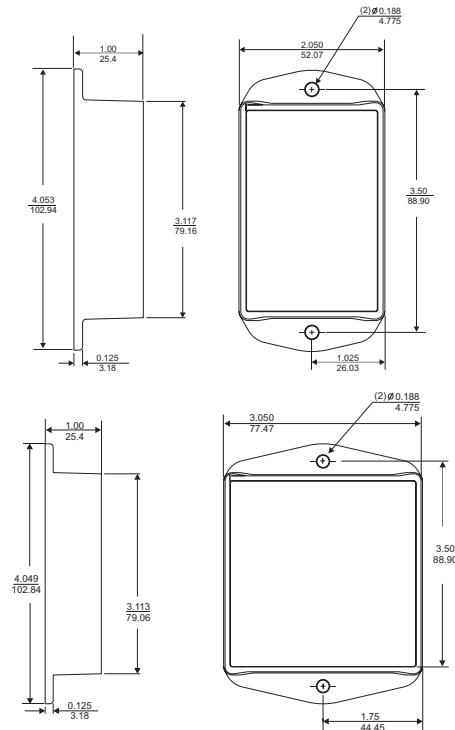
| Part Number | Volts AC | Sensing Internal/ External | Trials for Ignition | No. of Retry | 100% Lockout | Pre-Purge Selectable |
|-------------|----------|----------------------------|---------------------|--------------|--------------|--------------------------------|
| ▲ CS100A | 24 | Internal | Continuous | N/A | N/A | None |
| ▲ CS300A | 120 | Internal | Continuous | N/A | N/A | None |
| ▲ CS600B | 24/120 | Internal | Continuous | N/A | N/A | 0; 10; 30 seconds (selectable) |

Other options for spark igniters can be made available upon request to BASO GAS Products LLC.

▲ means bulk packaging is available upon request.



Case Dimensions (in./mm)



Note: CS600B this larger case dimension only.

Replacement Chart:

| BASO Part Number | ICM | Robertshaw Kit | White-Rodgers | Gasliter |
|------------------|--------|----------------|---------------|----------------|
| CS100-A | ICM295 | | 5059-23 | MACI 6-24 |
| CS300A | | | | Mark 6-117/120 |
| CS600B | | 785-00A | | |



BASO Gas Products LLC

Continuous Spark Block Igniters CS222, CS322 and CS422

Description

The CS222, CS322 and CS422 Continuous Spark Block Igniters are high voltage spark ignitions for use on commercial and industrial gas burners. These spark block igniters should only be used with systems that already have the appropriate pilot safety controls incorporated and intermittent igniters. The spark igniters are available with multiple control voltages: CS222 is 24VDC; CS322 is 120VAC; CS422 is 230VAC.

Warranty

- Two years

Specifications

- Input Voltages: 24VDC or 120VAC or 230VAC @50/60 Hz
- Output is continuous sparking 15Kv min. @ 0.200 in. max air gap as long as an input voltage is applied
- Spark Frequency: 30 Hz for 24 VDC; 60 Hz for 120/230 VAC modules
- Energy Discharge: 7 millijoules per spark
- Power consumption: 4 watts
- Connections: Push-on, 1/4" quick connect terminals

- All modules come in a flame retardant housing UL 94V-0 rating with two Mtg. tabs.
- Operating Temperature: -40°F (-40°C) to 179°F (80°C)
- Relative Humidity: 0% to 95% non-condensing
- Operating Air Gaps: 1/16" to 3/16"
- Compatible with LP, natural gas or manufactured gas.
- Enclosure is potted.

Agency Listing

- CSA 333501
- ANSI Z21.20-20-2014/C22.2 No 60730-2-5-14/ C22.2 No 13



Selection Chart

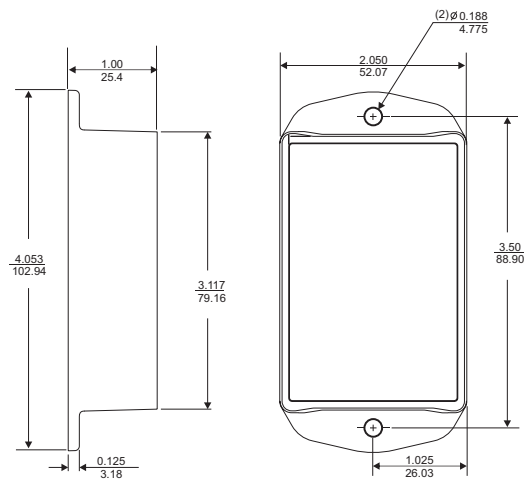
| | Part Number | Voltage AC | Trials for Ignition | Spark Frequency (HZ) | 100% Lockout | Output Voltage @ 0.200 in. | Spark Terminal |
|---|-------------|------------|---------------------|----------------------|--------------|----------------------------|----------------|
| ▲ | CS222L | 24 VDC | 33% Duty Cycle | 30 | N/A | 15kV | 1/4" Male QC |
| ▲ | CS322L | 120 VAC | Continuous | 60 | N/A | 15kV | 1/4" Male QC |
| ▲ | CS422L | 230 VAC | Continuous | 60 | N/A | 15kV | 1/4" Male QC |

Other options for spark igniters can be made available upon request to BASO GAS Products LLC.

▲ means bulk packaging is available upon request.

Replacement Chart:

| BASO Part Number | Honeywell | Allanson |
|------------------|-----------|--|
| CS322L | Q652B1006 | 2260-TP 2260-TW 2260-P 2260-TWG |
| CS422L | Q652B1014 | 2265-TP 2265-TW 2265-P 2265-TWG |



Case Dimensions (in./mm)

Ignition Control Modules



BASO Gas Products LLC

24- and 120-Volt Direct Spark Ignition Control

Description

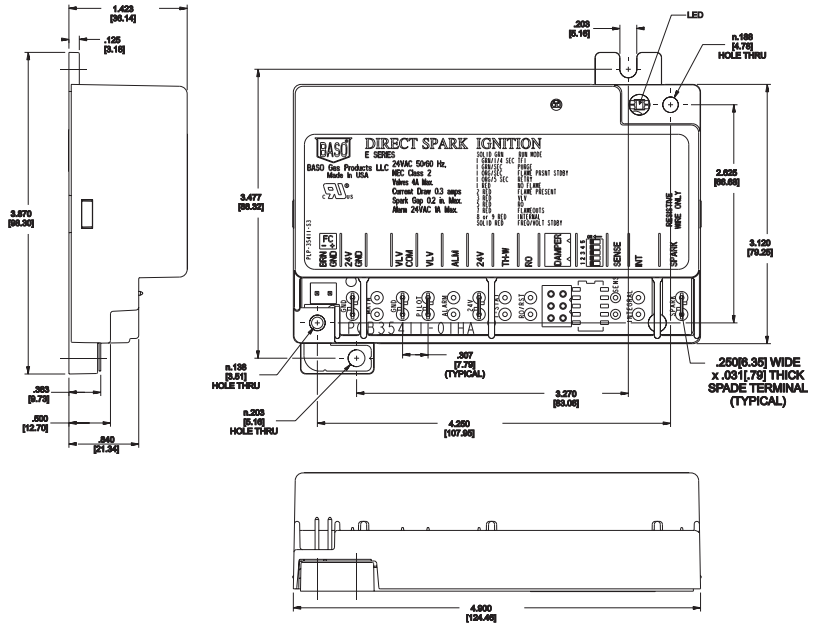
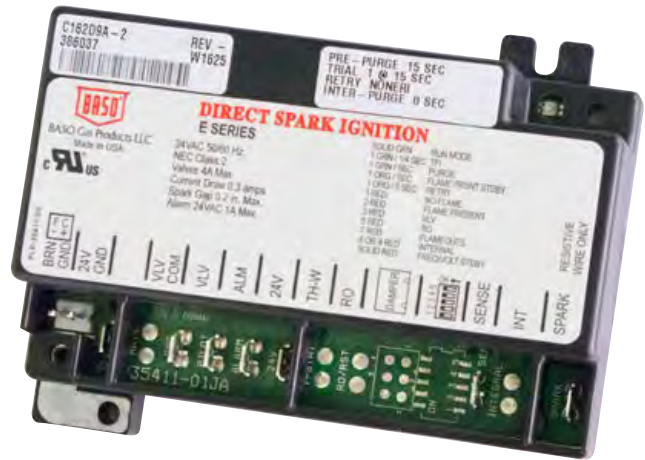
The Direct Spark ignition is a microprocessor-based ignition control. The microprocessor provides a reliable software control of all timing and operates a diagnostic Light-Emitting Diode (LED) for ease of troubleshooting issues. It is designed for direct burner supervision and can be used with all gases. The BASO ignition provides ignition sequence, flame monitoring and safety shut-off for direct spark ignition boilers, furnaces and other heating equipment. Four mounting hole positions, two outer holes that match Honeywell and Fenwal.

Warranty

- Two years

Agency Listing

- UL Recognized File number 20160601-MH2926
- Design file MH2926 UL 60730-1, UL 60730.2-5
- Software conforms to UL 60730 requirements
- EC type Examination Certification



Dimensions (in./mm)

Selection Chart

| Part Number | Replaces | Retry Minutes | Pre-Purge Seconds | Trial for Ignition | Inter-Purge Seconds | Sensing |
|-------------|----------------|---------------|-------------------|--------------------|---------------------|----------|
| C161ACA-1C | BG1100M0AB-1AC | 0 | None | 1 @ 10 | 0 | Remote |
| C161AAA-1C | BG1100M0AK-1GC | 0 | None | 1 @ 4 | 30 | Remote |
| C161DAA-1C | BG1100M0CK-1GC | 0 | 15 | 1 @ 4 | 30 | Remote |
| C161FJD-1C | BG1100MAAK-1GC | 5 | None | 3 @ 4 | 30 | Remote |
| C161FKD-1C | BG1100MAAL-1GC | 5 | None | 3 @ 8 | 30 | Remote |
| C161KKD-1C | BG1100MADL-1GC | 5 | 30 | 3 @ 8 | 30 | Remote |
| C131AAA-1C | BG1100M3AK-1AC | 0 | None | 1 @ 4 | 0 | Internal |
| C131KMD-1C | BG1100MCLD-1GC | 5 | 30 | 3 @ 20 | 30 | Internal |

Note: Resistive spark wire harness available; see page 114.

Ignition Control Modules

DSI Replacement Chart

| Part Number | Replaces | Johnson Controls | Fenwal | Honeywell | White Rogers | RAM | UT |
|-------------|----------------|----------------------------------|----------------|------------------------|--------------|----------------------------------|----------|
| C161ACA-1C | BG1100M0AB-1AC | | | S870-1012 | 50DS50-842 | | |
| C161AAA-1C | BG1100M0AK-1GC | G760AAD-1, -2, G760CAB-1 | | | | | |
| C161DAA-1C | BG1100M0CK-1GC | G760AAC-1 | | | | | |
| C161FJD-1C | BG1100MAAK-1GC | G760BAD-1, -2, G765BAD-1, -1R | | | | | |
| C161FKD-1C | BG1100MAAL-1GC | G760BCD-1 | | | | | |
| C161KKD-1C | BG1100MADL-1GC | G765BCA-12, -12R | 05-299-002-253 | S87K | | 3MC10-01/ Uni-Line 790-325 | 1016-500 |
| C131AAA-1C | BG1100M3AK-1AC | G760AAD-1 | 05-195014-005 | S87B-1032 S87B-1065 | | | |
| C131KMD-1C | BG1100MCLD-1GC | G765BCA-12, 12R | 05-299-002-253 | S87K | | 3MC10-01/ Uni-Line 790-325 | 1016-500 |

DSI Selection Chart:

| Part Number | Replaces | Retry Minutes | Inter-Purge Seconds | Pre-Purge Seconds | Trial for Ignition Seconds | Post-Purge Seconds | Voltage Features | DSI or IPI |
|-------------|--------------------|---------------|---------------------|-------------------|----------------------------|--------------------|-----------------------------------|------------|
| C132AAA-1C | N21AB000000400B-1C | 0 | 0 | 0 | 1 @ 4 | 0 | 24 / Integral with Alarm | DSI |
| C132ACA-1C | N21AB000001100B-1C | 0 | 0 | 0 | 1 @ 11 | 0 | 24 / Integral with Alarm | DSI |
| C161ACA-1C | N45EB000001100B-1C | 0 | 0 | 0 | 1 @ 11 | 0 | 24 / Remote | DSI |
| C162D9A-1C | N49AB001501000B-1C | 0 | 0 | 15 | 1 @ 10 | 0 | 24 / Remote with Alarm | DSI |
| C362DCA-1C | N50AB001501000B-1C | 0 | 0 | 15 | 1 @ 10 | 0 | 120 / Remote with Alarm | DSI |
| C186P9U-1C | N61AD301501030B-1C | 60 | 30 | 15 | 3 @ 10 | 30 | 24 / Remote with Blower and Alarm | DSI |

Note: Resistive spark wire harness available; see page 114.



BASO Gas Products LLC

BGN891-1 24-Volt Direct Spark Ignition Control

Description

The BASO BGN891-1 24-Volt Direct Spark ignition was designed to replace the G891TCA Series ignition used in the Lennox Pulse furnace. The 6-pin adapter plug is arranged so this becomes a plug-and-play replacement for the service field. Other harness adapters are added for older models that may need the additional quick connection to make replacement a snap.

Warranty

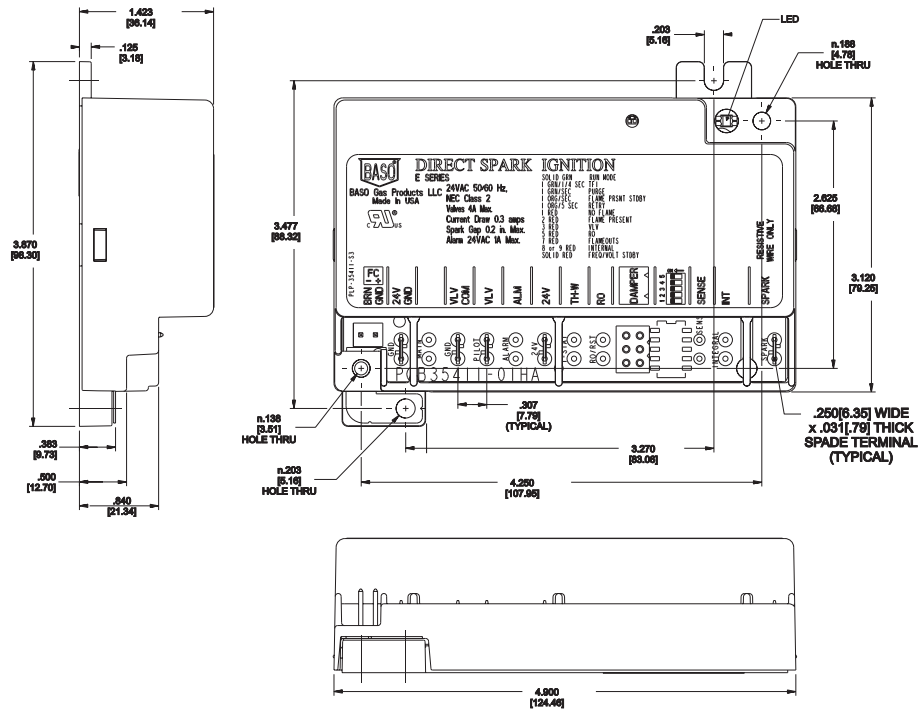
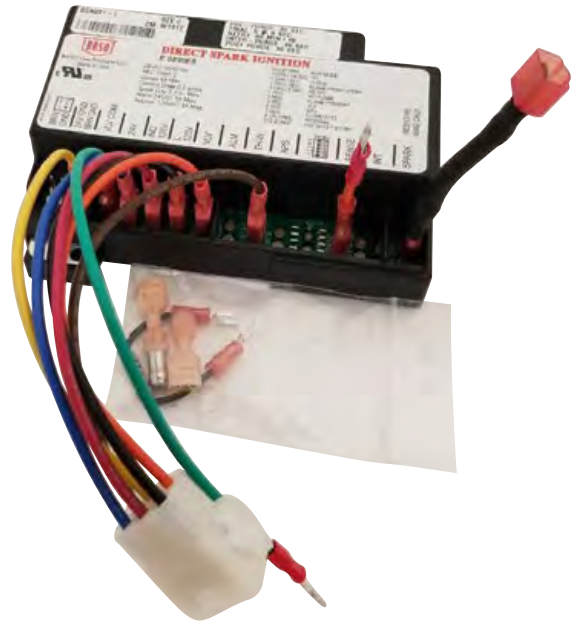
- Two years

Agency Listing

- UL Recognized File number MH2926-20160601
- Design file MH2926 UL 60730-1, UL 60730.2-5
- Software conforms to UL 60730 requirements

Replaces the following Lennox models:

G891TCA-8101, G891TCA-8103, 34K83, 34K8301, 41F46, 41F4601, 52J18, 52J1801, 72H68, 72H6801, 72J18, 72J1801, 73K86, 73K8601, 86H30, 86H3001, 87F22, 87F2201, 96C66, 96C6601, 99C97, 99C9701, 97H02, 97H0201, GC3 and G-3.



Dimensions (in./mm)

Selection Chart

| Part Number | Retry Minutes | Pre-Purge Seconds | Trial for Ignition Seconds | Inter-Purge Seconds | Post-Purge Seconds | Sensing |
|-------------|---------------|-------------------|----------------------------|---------------------|--------------------|---------|
| BGN891-1C | 60 | 30 | 5 @ 8 | 30 | 30 | Remote |

Ignition Control Modules



BASO Gas Products LLC

24- and 120-Volt Intermittent Pilot Ignition Control

Description

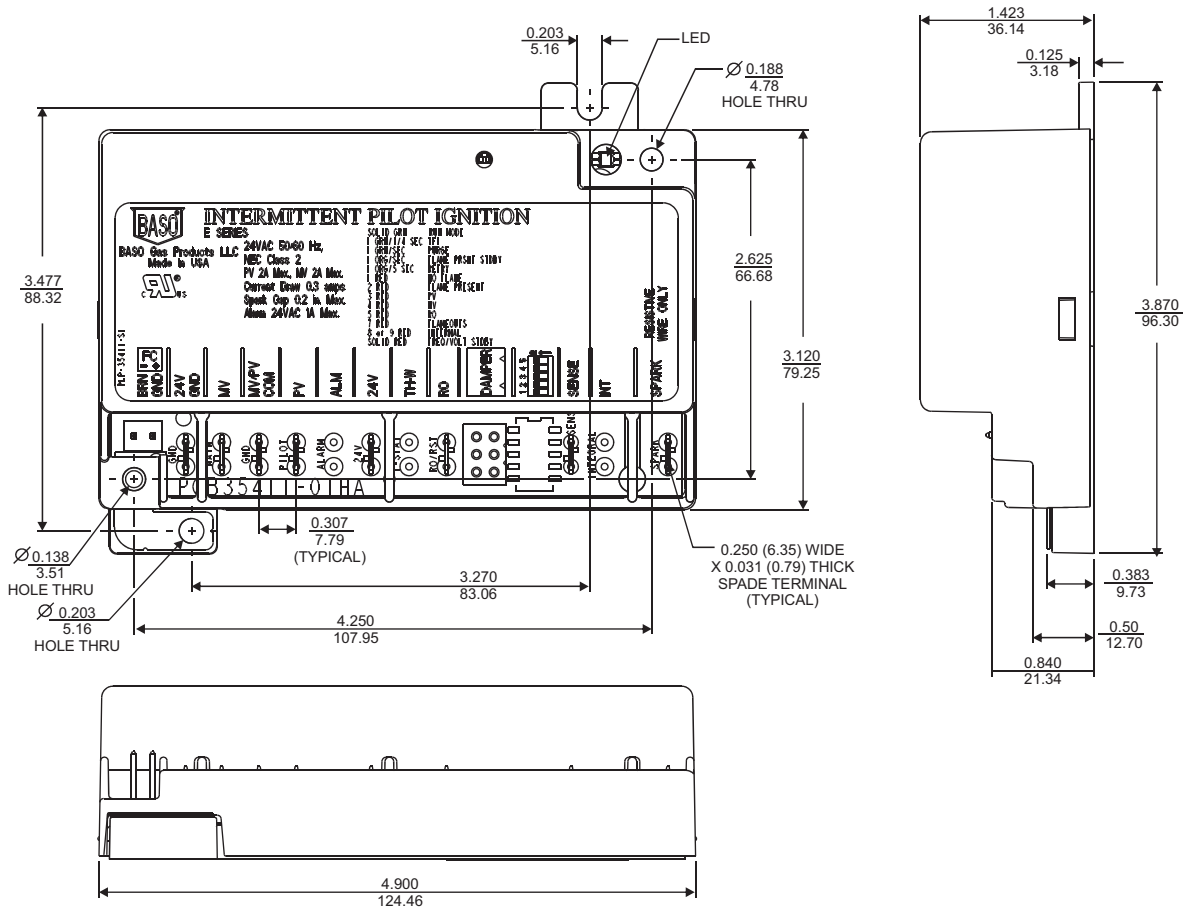
The Intermittent Spark ignition is a microprocessor-based ignition control. The microprocessor provides a reliable software control of all the timings and operates a diagnostic Light-Emitting Diode (LED). The BASO® intermittent pilot ignition provides ignition sequence, flame monitoring and safety shut-off for intermittent pilot boilers, furnaces and other heating appliances. Four mounting hole positions, two outer holes that match Honeywell and Fenwal.

Warranty

- Two years

Agency Listing

- UL Recognized File number MH2926-20160601
- Design file MH2926 UL 60730-1, UL 60730.2-5
- Software conforms to UL 60730 requirements
- EC Type Examination Certification number EC-704826 EN 298:2012



Ignition Control Modules

IPI Selection Chart

| Part Number | Replaces | Retry Minutes | Pre-Purge Seconds | Trial for Ignition Seconds | Inter-Purge Seconds | Sensing | Damper Plug/ Rollout Switch |
|-------------|------------------|---------------|-------------------|----------------------------|---------------------|----------|-----------------------------|
| C661AHA-1C | BG1600M00EK-1AAC | 0 | 0 | Infinite | 0 | Remote | No/No |
| C661ABA-1C | BG1600M00EM-1ADC | 0 | 0 | 1 @ 8 | 15 | Remote | No/No |
| C661AFA-1C | BG1600M00EP-1ADC | 0 | 0 | 1 @ 50 | 15 | Remote | No/No |
| C670AGA-1C | BG1600M00ER-1BDC | 0 | 0 | 1 @ 85 | 15 | Remote | No/Yes |
| C661BEA-1C | BG1600M00FF-1ADC | 0 | 4 | 1 @ 25 | 15 | Remote | No/No |
| C661BFA-1C | BG1600M00FP-1ADC | 0 | 4 | 1 @ 50 | 15 | Remote | No/No |
| C661BGA-1C | BG1600M00FT-1ADC | 0 | 4 | 1 @ 120 | 15 | Remote | No/No |
| C670JGA-1C | BG1600M01CR-1BDC | 5 | 15 | 1 @ 85 | 0 | Remote | No/Yes |
| C661PGA-1C | BG1600M02CR-1ADC | 60 | 15 | 1 @ 85 | 15 | Remote | No/No |
| C661KEA-1C | BG1600M03BF-1AGC | 5 | 30 | 3 @ 25 | 30 | Remote | No/No |
| C661JGA-1C | BG1600M03CR-1AGC | 5 | 15 | 3 @ 85 | 30 | Remote | No/No |
| C664AHA-1C | BG1600M10EK-1AAC | 0 | 0 | Infinite | 0 | Remote | Yes/No |
| C664ABA-1C | BG1600M10EM-1ADC | 0 | 0 | 1 @ 8 | 15 | Remote | Yes/No |
| C664AGA-1C | BG1600M10ER-1ADC | 0 | 0 | 1 @ 85 | 15 | Remote | Yes/No |
| C664BEA-1C | BG1600M10FF-1AAC | 0 | 4 | 1 @ 25 | 15 | Remote | Yes/No |
| C664BGA-1C | BG1600M10FR-1AAC | 0 | 4 | 1 @ 85 | 0 | Remote | Yes/No |
| C664FGA-1C | BG1600M11ER-1ADC | 5 | 0 | 1 @ 85 | 15 | Remote | Yes/No |
| C631AGA-1C | BG1600M20EJ-1AAC | 0 | 0 | 1 @ 90 | 15 | Integral | No/No |
| C631A9A-1C | BG1600M20EP-1ADC | 0 | 0 | 1 @ 50 | 15 | Integral | No/No |
| C634AFA-1C | BG1600M30EP-1ADC | 0 | 0 | 1 @ 50 | 15 | Integral | Yes/No |

Note: Resistive spark wire harness available; see page 114.

IPI Replacement Chart

| Part Number | Replaces | Johnson Controls | Fenwal | Honeywell |
|-------------|------------------|---|---------------|-------------|
| C661DEA-1C | BG1600M00CF-1ADC | G770LGD-1 | | |
| C661AEA-1C | BG1600M00EF-1ADC | G770LGA-1, -20 | 35-630501-003 | |
| C661AHA-1C | BG1600M00EK-1AAC | G67AG-3, -4, -8, -10, -20, G67BG-2, -3, -4, -5, -5R, G600AY-1, G670AW-1 | | |
| C661ABA-1C | BG1600M00EM-1ADC | G770KGA-1, -3 | | |
| C661AFA-1C | BG1600M00EP-1ADC | G770MGA-1, -2, -5 | | |
| C670AGA-1C | BG1600M00ER-1BDC | G770RJA-1 | | |
| C661AFA-1C | BG1600M00ET-1ADC | G770NGA-1 | | |
| C661BEA-1C | BG1600M00FF-1ADC | G770LGC-1, -2, -10, G600LY-1 | | |
| C661BFA-1C | BG1600M00FP-1ADC | G770MGC-1, -3, G600MX-1 | | |
| C661BGA-1C | BG1600M00FT-1ADC | G770NGC-4, -7, G600RX-1, G600NX-1 | | |
| C670JGA-1C | BG1600M01CR-1BDC | G775RJD-1, -2, -13, -14, -15 | | |
| C661FCA-1C | BG1600M01ER-1ADC | G775RGA-1, -2, -3 | | |
| C661PGA-1C | BG1600M02CR-1ADC | G776RGD-11, -14 | | |
| C661KEA-1C | BG1600M03BF-1AGC | G770BGJ-11 | | |
| C661JGA-1C | BG1600M03CR-1ADC | G770DLD-1 | | |
| C664AEA-1C | BG1600M10EF-1ADC | G770LHA-1, -2 | | |
| C664AHA-1C | BG1600M10EK-1AAC | G600AX-1, -2, -3 | | |
| C664ABA-1C | BG1600M10EM-1ADC | G770KHA-2 | | |
| C664AFA-1C | BG1600M10EP-1ADC | G770MHA-2 | | |
| C664AGA-1C | BG1600M10ER-1ADC | G770RHA-1, -2 | | |
| C664BEA-1C | BG1600M10FF-1AAC | G600LX-1, -1CM, -2, G770MHC-1C | | |
| C664BBA-1C | BG1600M10FM-1AAC | G67KG-1, G600KX-1 | | |
| C664BFA-1C | BG1600M10FP-1ADC | G600MX-1, G770MHC-1 | | |
| C664BGA-1C | BG1600M10FR-1AAC | G600RX-1 | | |
| C664BGA-1C | BG1600M10FT-1ADC | G600NX-1, G770NHC-1 | | |
| C664FGA-1C | BG1600M11ER-1ADC | G775RHA-1, -2 | | S8600M-1013 |
| C631AGA-1C | BG1600M20EJ-1AAC | G777RGA-1G | | |
| C631A9A-1C | BG1600M20EP-1ADC | G777MGA-1 | | |
| C634AFA-1C | BG1600M30EP-1ADC | G777MHA-1 | | |



BASO Gas Products LLC

C610U-1 24-VAC Universal Intermittent Pilot Ignition Control (replaces BG1600M51EF-1AA)

Description

The C610U-1 replaces many BASO, Johnson Controls, Honeywell, Fenwal, White Rodgers, ICM and Robertshaw intermittent pilot ignitions.

The C610U-1 is a dual microprocessor-based, up-to-date hardware that meets the latest US 60730.1, UL 60730.2-5 and ANSI Z21.20-2014 standards. The microprocessor provides reliable software control of all timings and operates a diagnostic three-color LED (light-emitting diode). The C610U-1 provides ignition sequence, flame monitoring and safety shut-off for intermittent applications like commercial cooking, boilers, furnaces, and other heating appliances. Accessories include a Rajah (spark plug) male to female 1/4" terminal and wire nuts.

Warranty

- Two years

Applications

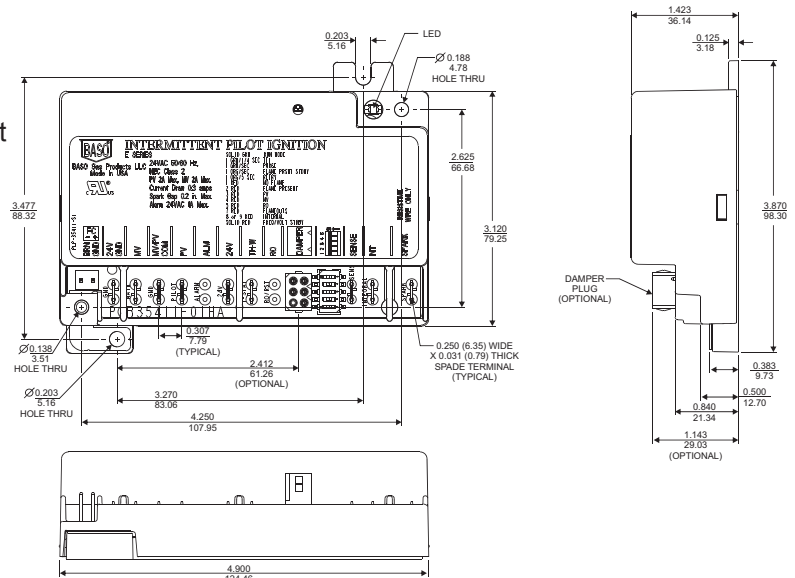
- Commercial cooking
- Water Heaters
- Furnaces
- Unit heaters
- Other heating equipment needing intermittent pilot

Default Settings

- Trial for ignition: 3 @ 30 seconds
- Pre-purge: 0 seconds
- Retry: 0 minutes
- Interpurge: 15 seconds
- Flame sense: Remote or integral
- Damper: With or without automatic vent damper
- DIP switch selectable: Pre-programmed with 28 of the most popular timings

Specification

- Input Power: 18-30 VAC 50/60 Hz (Class 2 Transformer)
- Input current drain: 300mA @ 24VAC with pilot relays and gas energized
- Main Gas Valve: 2.0A max. cont.
- Pilot Gas Valve: 2.0A max. cont.
- Operating Temperature: -40° to 176°F (-40° to 80°C)
- Flame Sensitivity: 0.4µA min.
- Flame Failure Response Time: 0.8 seconds max.
- Type of gases: LP, Natural, and Manufactured
- Spark Rate: 24VAC – 30 sparks per second
- Moisture Resistance: Conformal coated to operate non-condensing to 95% R.H. PC board must be protected from direct exposure to water



Dimensions (in./mm)

- Permissible ambient (surface) temperature: -40° to 176°F (-40° to 80°C)

Agency Listing

- UL Certificate number 20160601-MH2926
- Design file MH2926, UL 60730-1, 60730-2-5
- Software conforms to UL 60730 requirements.

Note: Resistive spark wire harness available; see page 114.

C610U UNIVERSAL INTERMITTENT PILOT IGNITION CONTROL CROSS REFERENCE

| Replacement Part Number | Original Manufacturer | Replacement Part Number | Original Manufacturer | Replacement Part Number | Original Manufacturer |
|-------------------------|-----------------------|-------------------------|-----------------------|-------------------------|-----------------------|
| S86A1001 | | S86H1048 | | S8610A1009 | |
| S86A1019 | | S86H1055 | | S8610B1007 | |
| S86A1027 | | S86H1063 | | S8610B1015 | |
| S86A1035 | | S86H1089 | | S8610B1023 | |
| S86B1009 | | S86H1097 | | S8610B3003 | |
| S86B1017 | | S86H1105 | | S8610C1005 | |
| S86B1025 | | S86H1113 | | S8610C1013 | |
| S86C1007 | | S86H1121 | | S8610C3001 | |
| S86C1015 | | S86H1139 | | S8610F1008 | |
| S86C1023 | | S86H1147 | | S8610F1016 | |
| S86C1031 | | S90A1005 | | S8610F1024 | |
| S86C1049 | | S90B1003 | | S8610F1032 | |
| S86C1056 | | S90B-1011 | | S8610H1004 | |
| S86D1005 | | S860C1000 | | S8610H1012 | |
| S86D1013 | | S860D1009 | | S8610H1020 | |
| S86D1021 | | S860D1017 | | S8610H1038 | |
| S86E1002 | | S8600A1001 | | S8610H1046 | |
| S86E1010 | | S8600B1009 | | S8610H1053 | |
| S86E1028 | | S8600B1025 | | S8610H1061 | |
| S86E1036 | | S8600B3005 | | S8610H1079 | |
| S86E1044 | | S8600B3013 | | S8610H1095 | |
| S86E1051 | | S8600C1015 | | S8610H3000 | |
| S86E1069 | Honeywell | S8600C3003 | Honeywell | S8610H3018 | Honeywell |
| S86E1077 | | S8600F1000 | | S9610H3026 | |
| S86E1101 | | S8600F1034 | | S8610M1003 | |
| S86E1119 | | S8600F1042 | | S8610M1011 | |
| S86E1127 | | S8600H1006 | | S8610M1029 | |
| S86F1000 | | S8600H1013 | | S8610M3009 | |
| S86F1018 | | S8600H1014 | | S8610M3017 | |
| S86F1026 | | S8600H1022 | | S8610U1003 | |
| S86F1042 | | S8600H1048 | | S8610U1011 | |
| S86F1059 | | S8600H1055 | | S8620C1003 | |
| S86F1067 | | S8600H1063 | | S8620C1011 | |
| S86F1075 | | S8600H1071 | | S8620H1002 | |
| S86F1083 | | S8600H1089 | | S8620H1010 | |
| S86F1091 | | S8600H1097 | | S8620H1028 | |
| S86G1008 | | S8600H1105 | | S8650D1002 | |
| S86G1016 | | S8600H3002 | | S8660D1010 | |
| S86G1024 | | S8600H3010 | | S8660J1008 | |
| S86G1032 | | S8600M1005 | | S8660J1016 | |
| S86G1057 | | S8600M1013 | | S8660J1024 | |
| S86G1073 | | S8600M1021 | | S8660K1006 | |
| S86H1006 | | S8600M2003 | | S8660K1014 | |
| S86H1014 | | S8600M3001 | | S8660K1022 | |
| S86H1022 | | S8600M4009 | | S8670D1000 | |

| Replacement Part Number | Original Manufacturer | Replacement Part Number | Original Manufacturer | Replacement Part Number | Original Manufacturer |
|-------------------------|-----------------------|-------------------------|-----------------------|-------------------------|-----------------------|
| S8670D1018 | Honeywell | G60AAG-7 | | G60PAG-4 | |
| S8670D1026 | | G60CAA-1 | | G60PAG-5 | |
| S8670D3006 | | G60CAA-3 | | G60PAG-6 | |
| S8670D3014 | | G60CAG-1 | | G60PAJ-1 | |
| S8670E1007 | | G60CAG-2 | | G60PAK-1 | |
| S8670E3003 | | G60CAG-3 | | G60PAK-2 | |
| S8670J3002 | | G60CAG-4 | | G60PFH-1 | |
| S8670J3010 | | G60CAG-5 | | G60PFH-2 | |
| S8670K3000 | | G60CAG-6 | | G60PVL-1 | |
| S8680J1004 | | G60CAG-7 | | G60QAG-1 | |
| ICM2901003 | | G60CAG-8 | | G60QAG-2 | |
| ICM2901011 | | G60CAG-9 | | G60QAG-3 | |
| CSA35A-617R | | G60CBA-1 | | G60QAG-4 | |
| CSA35A-618R | | G60CBA-2 | | G60QAK-1 | |
| CSA42A-600R | G60CBA-3 | G60QBG-1 | | | |
| CSA42A-601R | G60CBG-1 | G60QBG-2 | | | |
| CSA42A-602R | G60CBG-2 | G60QBG-3 | | | |
| CSA42A-603R | G60CBG-3 | G60QBG-4 | | | |
| CSA42A-604R | G60CBG-4 | G60QBG-5 | | | |
| CSA43A-600R | G60CBG-5 | G60QBG-6 | | | |
| CSA44A-600R | G60CBG-6 | G60QBG-7 | | | |
| CSA45A-601R | G60CBG-7 | G60QBG-8 | | | |
| CSA45A-602R | G60CBG-8 | G60QBG-9 | Johnson Controls | | |
| CSA46A-600R | G60CBG-9 | G60QBH-1 | | | |
| CSA48A-600R | G60CBG-10 | G60QBK-1 | | | |
| CSA49A-600R | G60CBG-11 | G60QBK-2 | | | |
| CSA49A-605R | G60CBG-12 | G60QBK-3 | | | |
| CSA51A-601R | G60CBG-13 | G60QBL-1 | | | |
| CSA52A-600R | G60CBG-14 | G60QBL-2 | | | |
| G600AX-1 | G60CBG-15 | G60QCG-1 | | | |
| G600AX-2 | G60CBG-16 | G60QCJ-1 | | | |
| G600AX-3 | G60CBG-17 | G60QCL-1 | | | |
| G600AY-1 | G60CCA-1 | G60QDG-1 | | | |
| G600LX-1 | G60CCG-1 | G60QFL-1 | | | |
| G600LX-2 | G60CPG-1 | G60QGH-1 | | | |
| G600LY-1 | G60DBG-1 | G60QHL-1 | | | |
| G600MX-1 | G60DCG-1 | G60QHL-2 | | | |
| G600NX-1 | G60DCG-2 | G60QJL-1 | | | |
| G600RX-1 | G60DCG-3 | G60QLG-1 | | | |
| G60AAA-1 | G60DCG-4 | G60QLK-1 | | | |
| G60AAG-1 | G60GBA-1 | G60QPG-1 | | | |
| G60AAG-2 | G60GBG-1 | G60QPK-1 | | | |
| G60AAG-3 | G60KAG-1 | G60QPL-1 | | | |
| G60AAG-4 | G60PAG-1 | G60QQJ-1 | | | |
| G60AAG-5 | G60PAG-2 | G60QRH-1 | | | |
| G60AAG-6 | G60PAG-3 | G60QRH-2 | | | |

| Replacement Part Number | Original Manufacturer | Replacement Part Number | Original Manufacturer | Replacement Part Number | Original Manufacturer |
|-------------------------|-----------------------|-------------------------|-----------------------|-------------------------|-----------------------|
| G60QRH-3 | | G65BLG-1 | | G770MGC-1 | |
| G60QRL-1 | | G65BLG-2 | | G770MGC-2 | |
| G60QRL-2 | | G65DBM-1 | | G770MGC-3 | |
| G60QRL-3 | | G65DBM-2 | | G770MGC-4 | |
| G60QSL-1 | | G65DBM-2 | | G770MGC-5 | |
| G60QTH-1 | | G65DCM-1 | | G770MGC-6 | |
| G60QTL-1 | | G65DFM-1 | | G770MHA-1 | |
| G60RAG-1 | | G65DKM-1 | | G770MHA-2 | |
| G60RBG-1 | | G65DLM-1 | | G770MHC-1 | |
| G60RBG-2 | | G66AG-1 | | G770NGA-1 | |
| G60RBG-3 | | G66AG-2 | | G770NGC-4 | |
| G60RBK-1 | | G66BG-1 | | G770NGC-5 | |
| G60RBK-2 | | G66MG-1 | | G770NGC-6 | |
| G60RCG-1 | | G66MG-2 | | G770NGC-7 | |
| G60RCG-2 | | G66NG-1 | | G770NHA-1 | |
| G60RCJ-1 | | G670AW-1 | | G770NHC-1 | |
| G60RDG-1 | | G670AW-2 | | G770RGA-1 | |
| G60RDK-1 | | G67AG-3 | | G770RGA-2 | |
| G60RGL-1 | | G67AG-4 | | G770RGA-3 | |
| G60RHL-1 | | G67AG-7 | | G770RHA-1 | |
| G60RHP-1 | | G67AG-8 | | G770RHA-2 | |
| G60RPL-1 | | G67AG-9 | | G775RGA-1 | |
| G60RSL-1 | Johnson Controls | G67AG-10 | Johnson Controls | G775RHA-1 | Johnson Controls |
| G60ZAG-1 | | G67AG-11 | | G776RHA-2 | |
| G60ZAG-2 | | G67BG-2 | | G779LHA-1 | |
| G65BBG-1 | | G67BG-3 | | Y79ABC-1 | |
| G65BBG-2 | | G67BG-4 | | Y79ABC-2 | |
| G65BBG-3 | | G67BG-5 | | Y79ABC-3 | |
| G65BBG-4 | | G67MG-1 | | Y79ABC-4 | |
| G65BBG-5 | | G67MG-2 | | Y79ABC-5 | |
| G65BBG-6 | | G67MG-3 | | Y79ABC-6 | |
| G65BBG-7 | | G67MG-4 | | Y79ABC-7 | |
| G65BBG-8 | | G67NG-2 | | Y79ABD-1 | |
| G65BBM-1 | | G67NG-4 | | Y79ABD-2 | |
| G65BBM-2 | | G770LGA-1 | | Y79BBA-1 | |
| G65BBM-3 | | G770LGA-2 | | Y79BBA-2 | |
| G65BBM-4 | | G770LGC-1 | | | |
| G65BCG-1 | | G770LGC-2 | | | |
| G65BCM-1 | | G770LGC-3 | | | |
| G65BFG-1 | | G770LGC-4 | | | |
| G65BKG-1 | | G770LHA-1 | | | |
| G65BKG-2 | | G770LHA-2 | | | |
| G65BKG-3 | | G770LHC-1 | | | |
| G65BKM-1 | | G770MGA-1 | | | |
| G65BKM-2 | | G770MGA-2 | | | |
| G65BKM-3 | | G770MGA-3 | | | |

| | |
|------------------|--------------------------|
| BG1600M00CF-1ADC | BASO Gas Products |
| BG1600M00EF-1ADC | |
| BG1600M00EK-1AAC | |
| BG1600M00EK-3AAD | |
| BG1600M00EM-1ADC | |
| BG1600M00EM-2ADD | |
| BG1600M00EP-1ADC | |
| BG1600M00EP-1DDD | |
| BG1600M00EP-2ADD | |
| BG1600M00EP-2DDD | |
| BG1600M00EP-3DDD | |
| BG1600M00EP-4DDD | |
| BG1600M00ET-1ADC | |
| BG1600M00FF-1ADC | |
| BG1600M00FP-1ADC | |
| BG1600M00FP-2DDD | |
| BG1600M00FT-1ADC | |
| BG1600M01ED-1AAC | |
| BG1600M01ER-1ADC | |
| BG1600M02CJ-1AAC | |
| BG1600M02CR-1ADC | |
| BG1600M03BF-1AGC | |
| BG1600M03CR-1AGC | |
| BG1600M10DF-1AAC | |
| BG1600M10EF-1ADC | |
| BG1600M10EK-1AAC | |
| BG1600M10EP-1ADC | |
| BG1600M10ER-1ADC | |
| BG1600M10FF-1AAC | |
| BG1600M10FP-1AAC | |
| BG1600M10FP-1ADC | |
| BG1600M10FR-1AAC | |
| BG1600M10FT-1AAC | |
| BG1600M10FT-1ADC | |
| BG1600M11ER-1ADC | |
| BG1600M20BD-1AAC | |
| BG1600M20EJ-1AAC | |
| BG1600M20EP-1ADC | |
| BG1600M20EP-2CDD | |
| BG1600M30EP-1ADC | |
| BG1600M51EF-1AAC | |

| | |
|---------------|------------|
| IPI-24-00 | Camstat |
| 05-203025-005 | Fenwal |
| 05-203026-005 | |
| 780-001 | Robertshaw |
| 780-002 | |
| 780-003 | |
| 780-845 | |
| 780-715 | |
| 780-735 | |
| 780-736 | |
| 780-737 | |
| SP715 | |
| SP715A | |
| SP735 | |
| SP735D | |
| SP735L | |
| USI715U | |

DSI C107U Universal Direct Spark Pilot Ignition Control Cross Reference

| Honeywell | BASO | White Rodgers | FENWAL | Johnson Controls | Robertshaw |
|-----------|----------------|---------------|---------------|------------------|--------------|
| S87B1008 | BG1100M0AB-1AC | 50D20-150 | 35-605903-223 | G760AAC-1 | DS845708-504 |
| S87B1016 | BG1100M0AK-1GC | 50D20-152 | 35-605950-015 | G760AAD-1 | 790-300 |
| S87B1024 | BG1100M0DL-1GC | 50D20-160 | 35-605954-105 | G760AAD-2 | 790-301 |
| S87B1065 | BG1100M3AK-1AC | 50D20-162 | | G760ACA-1 | 790-314 |
| S87C1014 | BG1100MAAK-1GC | 50D20-170 | | G760BAD-1 | 790-319 |
| S87C1030 | BG1100MAAL-1GC | 50D20-180 | | G760BAD-2 | 790-325 |
| S87D1004 | BG1100MADL-1GC | 50D20-250 | | G760BBD-1 | |
| S87C1006 | BG1100MCLD-1GC | 50D20-350 | | G760BCD-1 | |
| S87D1012 | BG1100M0CK-1GC | 50D20-50 | | G760CAD-1 | |
| S87D1020 | | 50D20-51 | | G765BAD-1 | |
| S87D1061 | | 50D2052 | | G765BAD-1R | |
| S87D1038 | | 50D21-1 | | G765BCA-12 | |
| S87J1026 | | 50D50-842 | | G765BCA-12R | |
| S87J1034 | | | | | |
| S87K1008 | | | | | |
| S87K1016 | | | | | |



BASO Gas Products LLC

BGH2UNCNTRLHT-01 Universal Hot Surface Ignition Control

Description

The BGH Series Universal Hot Surface Ignition Control is a microprocessor-based ignition with timed ignition sequences and suited for replacement as well as new applications. The Hot Surface Ignition controls can be used for agricultural equipment, space heaters, furnaces, residential/commercial boilers, water heaters, pool and spa heaters and a variety of commercial cooking equipment. This ignition control includes a 5-position DIP switch allowing up to 32 programmable predefined timing selections to retrofit other hot surface ignitions with flame sensing rectification, such as Johnson Controls, Honeywell, White-Rodgers, Fenwal and Robertshaw. The control provides continuous and precise monitoring for the hot surface element, wiring and gas valve and will shut down in the event of a failure. The BGH Series Universal Hot Surface Ignition operates with no rod integral or single rod remote sensing to prove flame.



Warranty

- One year

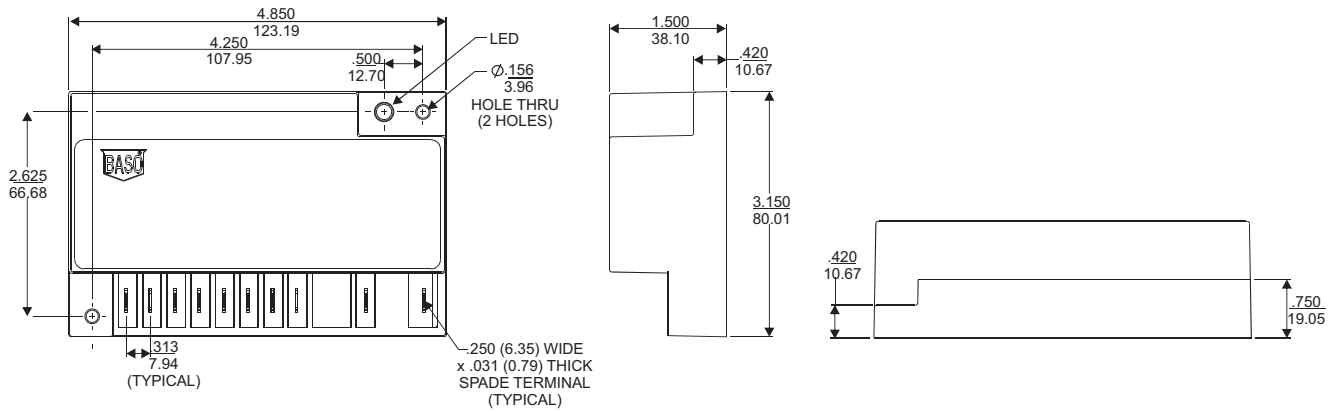
Agency Listing

- CSA (AGA/CGA) Certificate number 246569-2213607

Replacement Chart:

| Johnson Controls | | | | |
|-------------------|-------------------|-------------------|-------------------|-------------------|
| | G750BFB-1 | | G750EVB-1 | |
| Robertshaw | | | | |
| HS780-17NL-104A | HS780-17NL-308A | HS780-34NR-104A | HS780-34NL-306A | HS780-34NR-306A |
| HS780-17NR-104A | HS780-17NR-306A | HS780-34NL-108A | HS780-34NL-308A | HS780-34NR-308A |
| HS780-17NL-108A | HS780-17NR-308A | HS780-34NL-304A | HS780-34NL-312A | HS780-34NR-312A |
| HS780-17NL-304A | | | | |
| Fenwal | | | | |
| 05-356225-051 | 05-356225-055 | 05-356225-154 | 05-356265-151 | 05-356265-053 |
| 05-356225-052 | 05-356225-151 | 05-356225-155 | 05-356265-152 | 05-356265-054 |
| 05-356225-053 | 05-356225-152 | 05-356265-051 | 05-356265-153 | 05-356265-055 |
| 05-356225-054 | 05-356225-153 | 05-356265-052 | 05-356265-154 | |
| Honeywell | | | | |
| 8910U | S89C1103 | S89G1047 | S890C1007 | S890G1037 |
| S8910U | S89D1002 | S89H1003 | S890D1006 | S890H1002 |
| S89C1004 | S89G1005 | S89H1011 | S890G1003 | S890H1010 |
| S89C1012 | S89G1013 | S89H1029 | S890G1011 | S890H1028 |
| S89C1046 | S89G1021 | S89J1008 | S890G1029 | |
| White-Rodgers | | | | |
| 50E47-1 to -9 | 50E47-150 to -159 | 50E47-320 to -329 | 50F47-70 to -79 | 50F47-240 to -249 |
| 50E47-10 to -19 | 50E47-160 to -169 | 50E47-330 to -339 | 50F47-101 to -109 | 50F47-250 to -259 |
| 50E47-20 to -29 | 50E47-170 to -179 | 50E47-340 to -349 | 50F47-110 to -119 | 50F47-260 to -269 |
| 50E47-30 to -39 | 50E47-201 to -209 | 50E47-350 to -359 | 50F47-120 to -129 | 50F47-270 to -279 |
| 50E47-40 to -49 | 50E47-210 to -219 | 50E47-360 to -369 | 50F47-130 to -139 | 50F47-301 to -309 |
| 50E47-50 to -59 | 50E47-220 to -229 | 50E47-370 to -379 | 50F47-140 to -149 | 50F47-310 to -319 |
| 50E47-60 to -69 | 50E47-230 to -239 | 50F47-1 to -9 | 50F47-150 to -159 | 50F47-320 to -329 |
| 50E47-70 to -79 | 50E47-240 to -249 | 50F47-10 to -19 | 50F47-160 to -169 | 50F47-330 to -339 |
| 50E47-101 to -109 | 50E47-250 to -259 | 50F47-20 to -29 | 50F47-170 to -179 | 50F47-340 to -349 |
| 50E47-110 to -119 | 50E47-260 to -269 | 50F47-30 to -39 | 50F47-201 to -209 | 50F47-350 to -359 |
| 50E47-120 to -129 | 50E47-270 to -279 | 50F47-40 to -49 | 50F47-210 to -219 | 50F47-360 to -369 |
| 50E47-130 to -139 | 50E47-301 to -309 | 50F47-50 to -59 | 50F47-220 to -229 | 50F47-370 to -379 |
| 50E47-140 to -149 | 50E47-310 to -319 | 50F47-60 to -69 | 50F47-230 to -239 | |

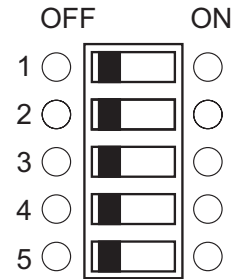
Ignition Control Modules



Dimensions (in./mm)

Parameters/Dip Switch Settings

| 5-Position Dip Switch Settings | | HSIC Parameters | | | |
|--------------------------------|---------------|------------------|-------------------|------------------------|----------------------------|
| ON | OFF | *Warm-Up Seconds | Pre-Purge Seconds | Between Trials Seconds | Trial for Ignition Seconds |
| None | 1, 2, 3, 4, 5 | 45 | 30 | 90 | 3 @ 7 |
| 5 | 1, 2, 3, 4 | 17 | 30 | 90 | 3 @ 7 |
| 4 | 1, 2, 3, 5 | 45 | 17 | 77 | 3 @ 7 |
| 4, 5 | 1, 2, 3 | 17 | 17 | 77 | 3 @ 7 |
| 3 | 1, 2, 4, 5 | 45 | 0 | 60 | 3 @ 7 |
| 3, 5 | 1, 2, 4 | 17 | 0 | 60 | 3 @ 7 |
| 3, 4 | 1, 2, 5 | 34 | 32 | 96 | 3 @ 7 |
| 3, 4, 5 | 1, 2 | 34 | 0 | 0 | 3 @ 7 |
| 2 | 1, 3, 4, 5 | 45 | 30 | 0 | 1 @ 7 |
| 2, 5 | 1, 3, 4 | 17 | 30 | 0 | 1 @ 7 |
| 2, 4 | 1, 3, 5 | 45 | 17 | 0 | 1 @ 7 |
| 2, 4, 5 | 1, 3 | 17 | 17 | 0 | 1 @ 7 |
| 2, 3 | 1, 4, 5 | 45 | 0 | 0 | 1 @ 7 |
| 2, 3, 5 | 1, 4 | 17 | 0 | 0 | 1 @ 7 |
| 2, 3, 4 | 1, 5 | 34 | 32 | 0 | 1 @ 7 |
| 2, 3, 4, 5 | 1 | 34 | 0 | 0 | 1 @ 7 |
| 1 | 2, 3, 4, 5 | 45 | 30 | 90 | 3 @ 4 |
| 1, 5 | 2, 3, 4 | 17 | 30 | 90 | 3 @ 4 |
| 1, 4 | 2, 3, 5 | 45 | 17 | 77 | 3 @ 4 |
| 1, 4, 5 | 2, 3 | 17 | 17 | 77 | 3 @ 4 |
| 1, 3 | 2, 4, 5 | 45 | 0 | 60 | 3 @ 4 |
| 1, 3, 5 | 2, 4 | 17 | 0 | 60 | 3 @ 4 |
| 1, 3, 4 | 2, 5 | 34 | 32 | 96 | 3 @ 4 |
| 1, 3, 4, 5 | 2 | 34 | 0 | 0 | 3 @ 4 |
| 1, 2 | 3, 4, 5 | 45 | 30 | 0 | 1 @ 4 |
| 1, 2, 5 | 3, 4 | 17 | 30 | 0 | 1 @ 4 |
| 1, 2, 4 | 3, 5 | 45 | 17 | 0 | 1 @ 4 |
| 1, 2, 4, 5 | 3 | 17 | 17 | 0 | 1 @ 4 |
| 1, 2, 3 | 4, 5 | 45 | 0 | 0 | 1 @ 4 |
| 1, 2, 3, 5 | 4 | 17 | 0 | 0 | 1 @ 4 |
| 1, 2, 3, 4 | 5 | 34 | 32 | 0 | 1 @ 4 |
| 1, 2, 3, 4, 5 | None | 34 | 0 | 0 | 1 @ 4 |



5-Position Dip Switch
Switch settings shown with all 5 switches in the OFF position.

* Warm-up time is timed ignition.

Note: For specific timing requirements, call BASO Gas Products.



BASO Gas Products LLC

BGH Series Hot Surface Ignition Control

Description

The 24 VAC BGH Series Hot Surface Ignition Control is microprocessor-based with timed ignition sequences and is suited for replacement or new applications. The microprocessor provides a reliable software control of all timings and operates a dual-color diagnostic Light-Emitting Diode (LED) for ease of troubleshooting issues. Applications for HSI modules include agricultural equipment, space heaters, furnaces, pool and spa heaters and a variety of commercial cooking equipment. The BGH5 is for an ignition system with internal flame sensing (no rod). The BGH6 is for an ignition system with remote flame sensing (1 rod).

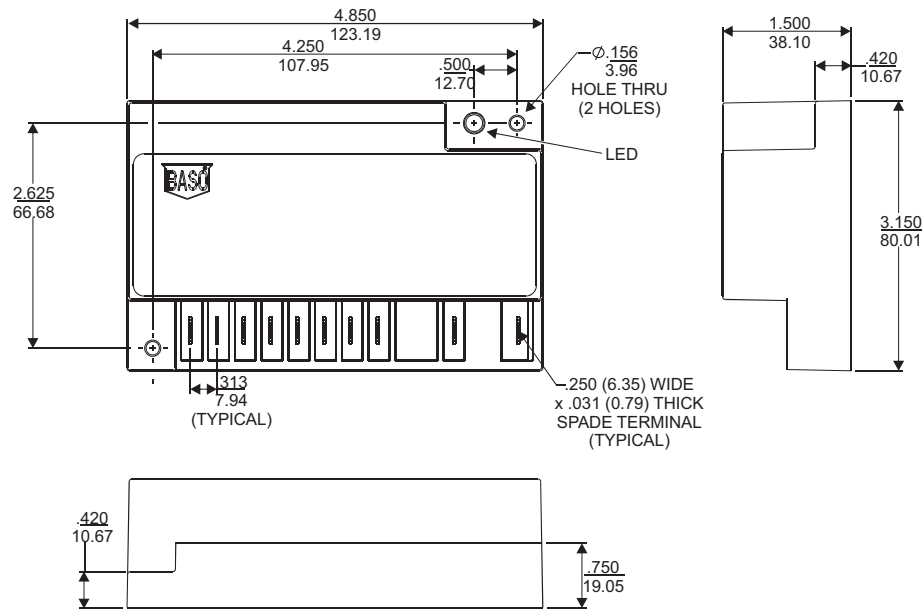


Warranty

- One year

Agency Listing

- CSA (AGA/CGA) Certificate number 246569-2213607



Dimensions (in./mm)

Selection Chart

| Part Number | Warm-Up Seconds | Pre-Purge Seconds | Between Trial Seconds | Trial for Ignition Seconds | Sensing |
|---------------------|-----------------|-------------------|-----------------------|----------------------------|----------|
| BGH5EF00DA04D-00K1C | 45 | 0 | 30 | 3 @ 4 | Integral |
| BGH6AE00DA04D-00K1C | 4 | 0 | 30 | 3 @ 4 | Remote |
| BGH6AE00DA06D-00K1C | 4 | 0 | 30 | 3 @ 6 | Remote |

Ignition Control Modules



BASO Gas Products LLC

WHA40 Wire Harness Series & RAA Adapter Terminal

Description

The WHA40A Wire Harness Series is made with resistive wire designed to be used with newer ignition modules to suppress electrical noise or Radio Frequency Interference (RFI).

Agency Listing

- None



**Straight Female 1/4 x 1/4 or
Female 1/4 to Rajah
WHA40A-600H thru -607H**

**Straight Female
1/4 to 90° Rajah
WHA40A-610H**



**Straight Female 1/4
to 90° Female 1/4
WHA40A-609H**

**RAA1600A-601 Rajah to
1/4" Female Adapter**



Selection Chart

| Part Number | Description | Replaces |
|---------------|---|-------------------------|
| RAA1600A-601D | Rajah to 1/4" Spade Adapter (box of 50) | Honeywell 407EPM/U |
| RAA1600A-601H | Rajah to 1/4" Spade Adapter (bag of 10) | |
| WHA40A-600D | 18" Resistive Wire Harness with (2) 1/4" Terminals (box of 25) | |
| WHA40A-600H | 18" Resistive Wire Harness with (2) 1/4" Terminals (bag of 1) | |
| WHA40A-601D | 18" Resistive Wire Harness with (1) 1/4" Terminal and 1 Rajah Terminal (box of 25) | |
| WHA40A-601H | 18" Resistive Wire Harness with (1) 1/4" Terminal and 1 Rajah Terminal (bag of 1) | |
| WHA40A-602D | 24" Resistive Wire Harness with (2) 1/4" Terminals (box of 25) | |
| WHA40A-602H | 24" Resistive Wire Harness with (2) 1/4" Terminals (bag of 1) | |
| WHA40A-603D | 24" Resistive Wire Harness with (1) 1/4" Terminal and 1 Rajah Terminal (box of 25) | |
| WHA40A-603H | 24" Resistive Wire Harness with (1) 1/4" Terminal and 1 Rajah Terminal (bag of 1) | |
| WHA40A-604D | 36" Resistive Wire Harness with (2) 1/4" Terminals (box of 25) | |
| WHA40A-604H | 36" Resistive Wire Harness with (2) 1/4" Terminals (bag of 1) | |
| WHA40A-605D | 36" Resistive Wire Harness with (1) 1/4" Terminal and 1 Rajah Terminal (box of 25) | |
| WHA40A-605H | 36" Resistive Wire Harness with (1) 1/4" Terminal and 1 Rajah Terminal (bag of 1) | |
| WHA40A-606D | 48" Resistive Wire Harness with (2) 1/4" Terminals (box of 25) | |
| WHA40A-606H | 48" Resistive Wire Harness with (2) 1/4" Terminals (bag of 1) | |
| WHA40A-607D | 48" Resistive Wire Harness with (1) 1/4" Terminal and 1 Rajah Terminal (box of 25) | |
| WHA40A-607H | 48" Resistive Wire Harness with (1) 1/4" Terminal and 1 Rajah Terminal (bag of 1) | |
| WHA40A-609H | 26.8" Resistive Wire Harness with (1) 1/4" Terminal and (1) 90° 1/4" Terminal (bag of 1) | |
| WHA40A-610H | 32.592" Resistive Wire Harness with (1) 1/4" Terminal and (1) 90° Rajah Terminal (bag of 1) | Honeywell 394800-3Z 32" |

D = Bulk; H = Single



BASO Gas Products LLC

WHA Series Wire Harness

Description

24" harness for either a DSI or IPI ignition connection.

Includes:

- (2) ground connections
- (1) MV connection
- (1) PV connection
- (1) thermostat or 24-volt connection
- (1) sensor connection

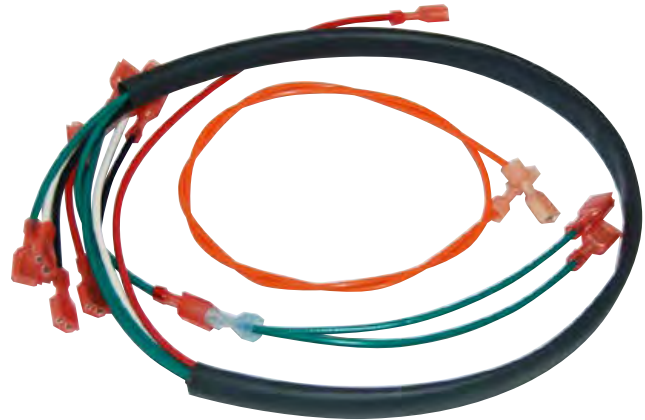
Agency Listing

- None

Selection Chart

| Part Number | Description |
|-------------|-------------|
| WHA43A-600H | 24"Harness |

Contact BASO for other harness configurations.



Y57TH-24 or WHA40A-618
Spark Wire

ZP Series Piezo Spark Generator

Description

ZP Series Piezo is used where there is no available power source. Two options are available to spark manual or battery operated (single AA). Output voltage is 20,000 volts. Used in firepits, oil fields, BBQ grills and many other places where power may not be readily available.

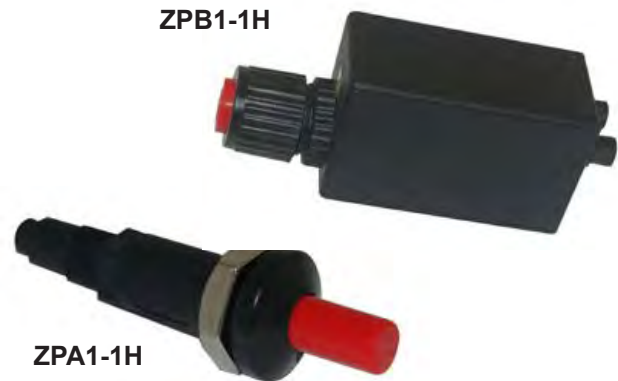
Agency Listing

- CSA

Selection Chart

| Part Number | Description | Voltage Output | Single Connection Diameter |
|-------------|---|----------------|----------------------------|
| ▲ ZPA1-1H | Piezo Manual Operated | 20,000 | 0.090 in. (2.29 mm) |
| ▲ ZPB1-1H | Piezo Battery Operated (battery not included) | 20,000 | 0.090 in. (2.29 mm) |

▲ means bulk pack (25) is available upon request.



Ignition Control Modules



BASO Gas Products LLC

DC and DD Series Spark Igniter/Flame Sensors

Description

BASO® Spark Igniters/Flame Sensors are designed for a long service life and to provide optimum performance when used in a BASO® ignition system. We have several popular designs available, but custom designs could be made available upon request.

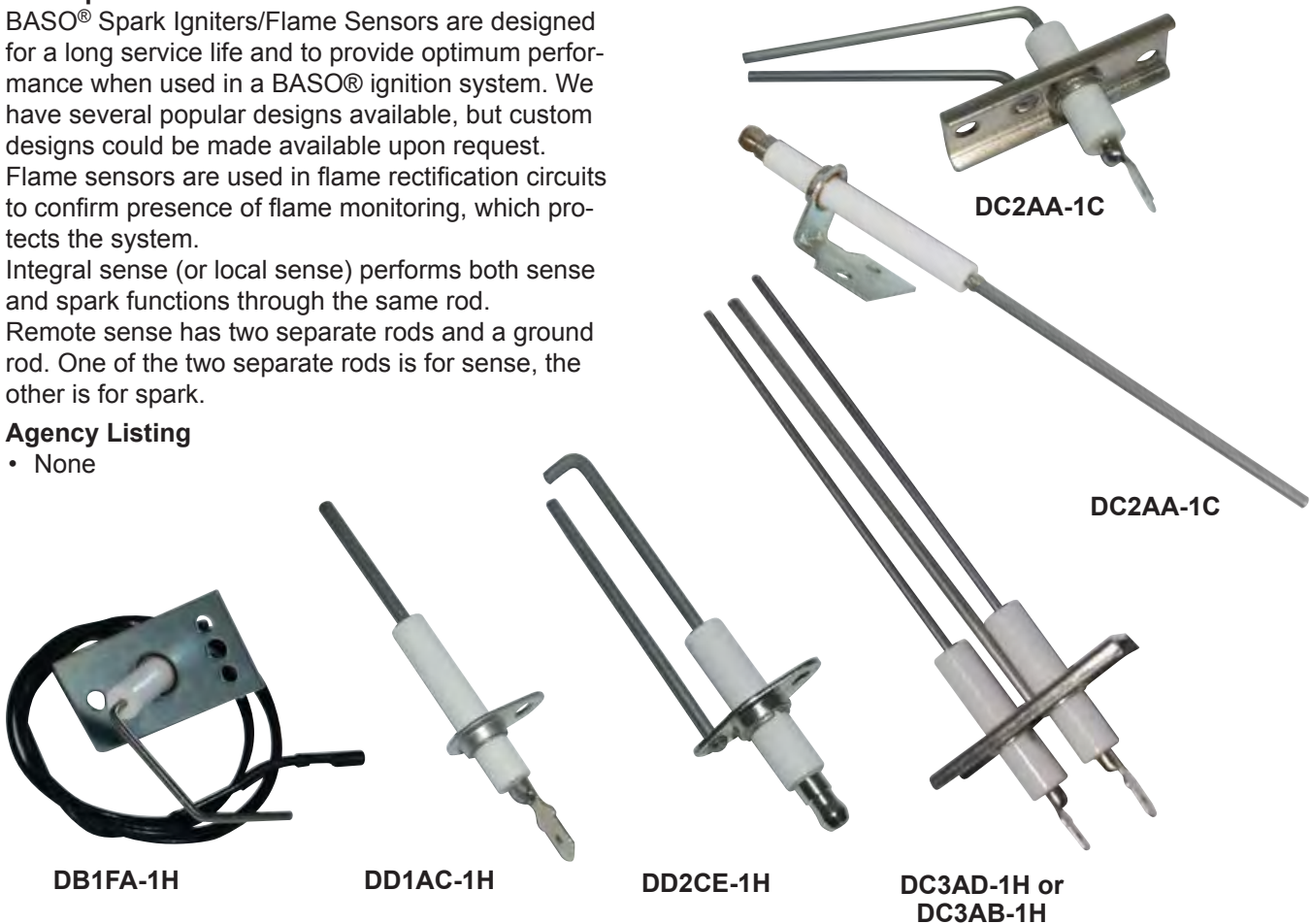
Flame sensors are used in flame rectification circuits to confirm presence of flame monitoring, which protects the system.

Integral sense (or local sense) performs both sense and spark functions through the same rod.

Remote sense has two separate rods and a ground rod. One of the two separate rods is for sense, the other is for spark.

Agency Listing

- None



Selection Chart

| Part Number | Prongs | Bracket Style | Replaces |
|-------------|--------|---------------|---|
| ▲ DD1AC-1H | 1 | Tear Drop | Fenwal 22-100001-211 |
| ▲ DC2AA-1C | 2 | Rectangular | NA |
| ▲ DE1CG | 1 | 90° Bracket | |
| ▲ DC3AD-1C | 3 | Rectangular | Fenwal 22-10002-076 BASO Y58KD-10 |
| ▲ DD2CE-1H | 2 | Tear Drop | Syntek BP202E Speed Queen M406934 Cissell GA-007640 |
| ▲ DC3AB-1C | 3 | Rectangular | Fenwal 22-100000-593 Robertshaw 10-850 BASO Y58KD-6 |
| ▲ DB1FA-1H | 1 | Rectangular | NA |
| ▲ DC3AB-1H | 1 | Rectangular | |

▲ means bulk pack is available upon request.

Contact BASO Gas Products if you have special requirements.



BASO Gas Products LLC

B03M-5E067 Universal Kit Hot Surface Igniter

Description

The B03M Series Universal Kit comes complete with mounting brackets and hardware to replace over 100 different OEM applications. The silicon nitride material is better for durability and strength.

Agency Listing

- CSA (AGA/CGA) Certificate number 254683-2480168



Selection Chart

| Part Number | Material | Voltage (50/60Hz) | Temperature | | Replaces |
|--------------------|-----------------|-------------------|-------------|--------|---|
| | | | Min. | Max. | |
| B03M-5E067C | Silicon Nitride | 120 VAC | 1800°F | 3000°F | Robertshaw 41-801N Rheem 62-22868-82 or 93 Lennox 33J3701 LB White 120-07549 |



BASO Gas Products LLC

B04C-5E033 Series Hot Surface Igniter

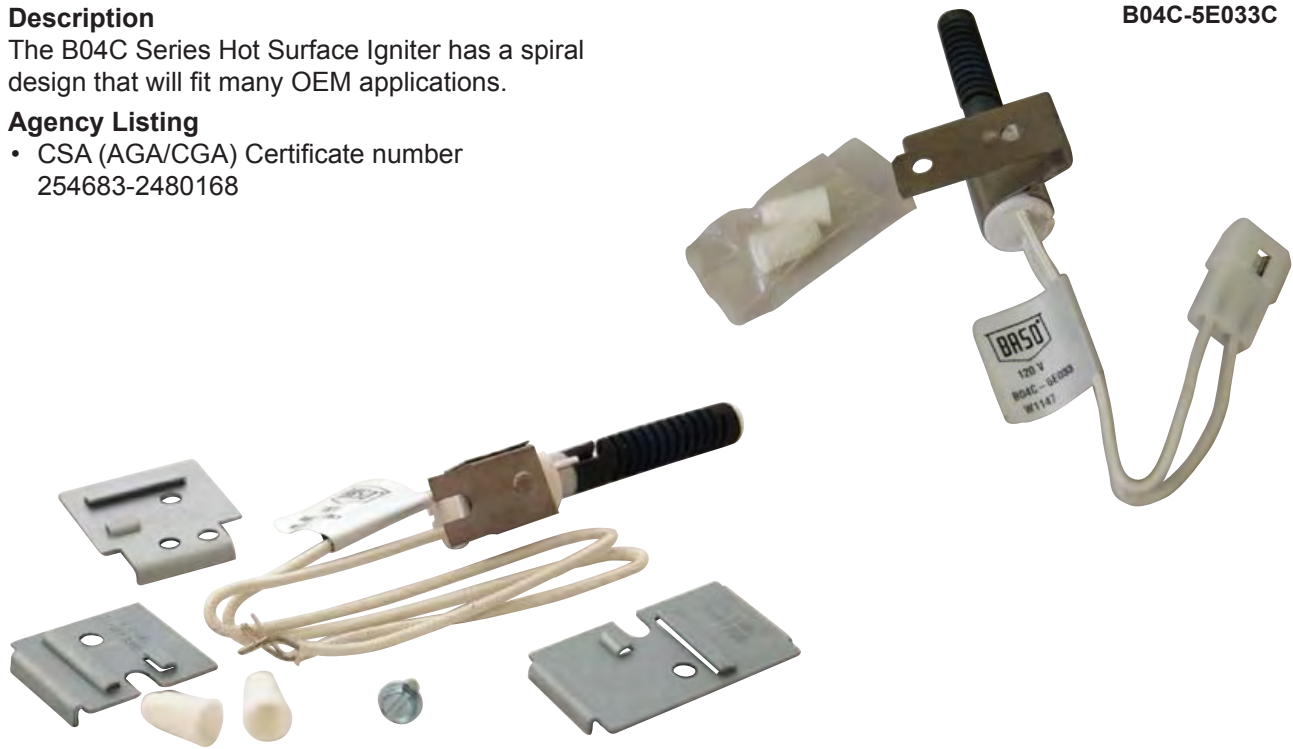
Description

The B04C Series Hot Surface Igniter has a spiral design that will fit many OEM applications.

Agency Listing

- CSA (AGA/CGA) Certificate number 254683-2480168

B04C-5E033C



B06C-5E067C

Selection Chart

| Part Number | Material | Voltage (50/60 Hz) | Temperature | | Replaces |
|--------------------|------------------|--------------------|-------------|--------|--|
| | | | Min. | Max. | |
| B04C-5E033C | Silicone Carbide | 120 VAC | 1800°F | 2800°F | York 025-32625-000 Nordyne RH62286892 Williamson 9050 Alliance (Speed Queen) 369P3 Speed Queen 60868 |
| B06C-5E067C | Silicone Carbide | 120 VAC | 1800°F | 2800°F | |



BASO Gas Products LLC

B06C-5E035 Universal Kit Hot Surface Igniters

Description

The B06C-5E035 Universal Kit comes complete with plug-in adapters to replace many different applications.

Agency Listing

- CSA (AGA/CGA) Certificate number 254683-2480168



Selection Chart

| Part Number | Material | Voltage (50/60 Hz) | Temperature | | Replaces |
|--------------------|------------------|--------------------|-------------|--------|--------------------------------------|
| | | | Min. | Max. | |
| B06C-5E035C | Silicone Nitride | 120 VAC | 1800°F | 3100°F | Nordyne 902661, 902614, FC007, FC035 |



BASO Gas Products LLC

B04S Series Hot Surface Igniters

Description

Durable igniters for boilers, furnaces, rooftop heaters and other HVAC applications.

Agency Listing

- CSA (AGA/CGA) Certificate number 254683-2480168



B04S-1E405



B04S-1E406



B04S-1E408



B04S-1E409



B04S-1E411



B04S-1E418



B04S-5E001



B04S-5E010

Selection Chart

| Part Number | Material | Voltage (50/60 Hz) | Temperature | | Type of Hardware | Replaces |
|--------------------|-----------------|-----------------------|-------------|--------|------------------------------------|---|
| | | | Min. | Max. | | |
| B04S-1E405C | Silicon Carbide | 120 VAC | 1800°F | 3100°F | No Brackets | Smith HB 50018, Veissman 9302-094, Norton 201D and 27P |
| B04S-1E406C | Silicon Carbide | 120 VAC | 1800°F | 3100°F | Fabric Washer & Wire Nuts | Weil McLain 511-330-188 Norton 201Y and 271Y |
| B04S-1E408C | Silicon Carbide | 120 VAC | 1800°F | 3100°F | Wire Nuts | Rheem 62-22441-01 |
| B04S-1E409C | Silicon Carbide | 120 VAC | 1800°F | 3100°F | Bracket & Wire Nuts | Trane IGN26, Carrier LH332S, 001A, 002, 0024, 003, 003A |
| B04S-1E411C | Silicon Carbide | 120 VAC | 1800°F | 3100°F | Bracket & Wire Nuts | Rheem 62-22868-82 and 62-22441-01 |
| B04S-1E418C | Silicon Carbide | 120 VAC | 1800°F | 3100°F | Attached Bracket & Wire Nuts | Norton 271 NM |
| B04S-5E001C | Silicon Carbide | 120 VAC | 1800°F | 3100°F | Universal Kit | 41-402, 41-403, 41-404, 41- 405, 41-406, 41-407, 41-408, 41-409, 41-410 |
| B04S-5E010C | Silicon Carbide | 120 VAC | 1800°F | 3100°F | Clip & Fabric Washer | Trane Kit 3033 |
| B04S-1E401C | Silicon Carbide | 120 VAC | 1800°F | 3100°F | No Brackets | Norton 41-401 |
| B04S-1E402C | Silicon Carbide | 120 VAC | 1800°F | 3100°F | No Brackets | Norton 41-402 |
| B04S-1E403C | Silicon Carbide | 120 VAC | 1800°F | 3100°F | No Brackets | Norton 41-403 |



BASO Gas Products LLC

Micro Igniter 24 VAC Hot Surface Igniter

Description

This durable silicon nitride igniter is used with Honeywell smart valves. It can be easily installed using the spring clip provided.

Agency Listing

- CSA (AGA/CGA) Certificate number 254683-2480168



Selection Chart

| Part Number | Material | Voltage (50/60 Hz) | Temperature | | Replaces |
|-------------|-----------------|--------------------|-------------|--------|---------------------|
| | | | Min. | Max. | |
| B13M-1D643C | Silicon Nitride | 24 VAC | 1800°F | 2650°F | Honeywell Q3200 Kit |



BASO Gas Products LLC

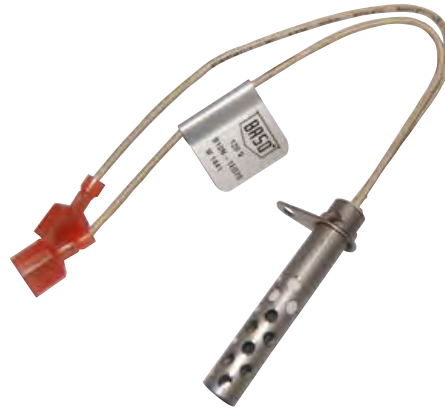
B19N Series 120 VAC Hot Surface Igniters

Description

The B19N Series 120 VAC Hot Surface Igniters provides a rugged service replacement element designed for long life and resistance to burn-out in the appliance. The kit includes various configurations of brackets that will adapt to your specific appliance application.

Agency Listing

- CSA (AGA/CGA) Certificate number 254683-2480168



B19N-1E076C



B19N-5E067C



B19N-5E069C

Selection Chart

| Part Number | Material | Voltage (50/60 Hz) | Temperature | | Replaces |
|--------------------|-----------------|--------------------|-------------|--------|------------------|
| | | | Min. | Max. | |
| B19N-5E067C | Silicon Nitride | 120 VAC | 2192°F | 2732°F | N/A |
| B19N-5E069C | Silicon Nitride | 120 VAC | 2192°F | 2732°F | Honeywell Q3200U |
| B19N-1E076C | Silicon Nitride | 120 VAC | 2192°F | 2732°F | |

Contact BASO for 12VDC or 24VDC availability.



Pilot Burners



BASO Gas Products LLC

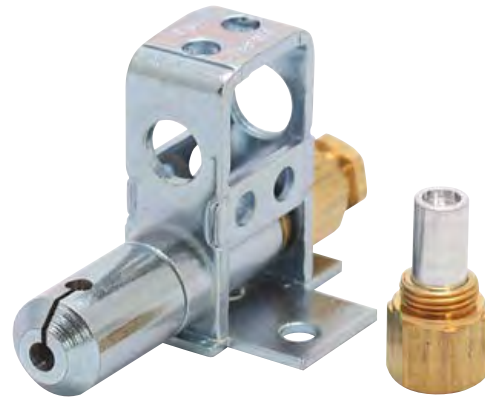
J Series Stainless Steel Combination Standing Pilot Burners

Description

The J Series Combination Pilot Burners are used for standing pilot applications and are available in many tip arrangements. The J990MDA-2 is a universal replacement pilot burner for J12_DDA, J13_DDA (D12 and D13) types with No. 9 tip arrangements.

The J991MDA-2 through J999MDA-2 models are universal replacement pilot burners for J10_DDA, J11_DDA (D10 and D11) types (see the Selection Chart for tip arrangements).

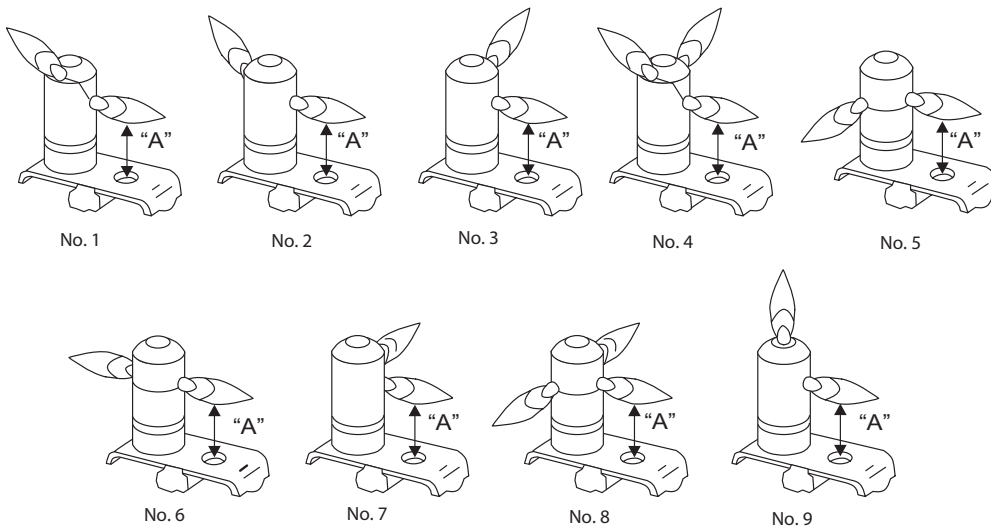
The pilot burners are individually packed in a plastic bag with one natural gas inlet installed, one LP inlet fitting and necessary parts for mounting.



J999MDA

Agency Listing

- None



Pilot Burner Tip Positions

Selection Chart

| Part Number | Tip Position | Natural Gas Inlet Fitting | LP Inlet Fitting | "A" Dimension |
|-------------|--------------|---------------------------|------------------|---------------------|
| J990MDA-2H | 9 | Y90AA-3223 | Y90AA-4212 | 1.102 in. (28 mm) |
| J991MDA-2H | 1 | Y90AA-3223 | Y90AA-4212 | 0.850 in. (21.6 mm) |
| J992MDA-2H | 2 | Y90AA-3223 | Y90AA-4213 | 0.850 in. (21.6 mm) |
| J993MDA-2H | 3 | Y90AA-3223 | Y90AA-4212 | 0.850 in. (21.6 mm) |
| J994MDA-2H | 4 | Y90AA-3225 | Y90AA-4214 | 0.850 in. (21.6 mm) |
| J995MDA-2H | 5 | Y90AA-3221 | Y90AA-4211 | 0.850 in. (21.6 mm) |
| J996MDA-2H | 6 | Y90AA-3223 | Y90AA-4212 | 0.850 in. (21.6 mm) |
| J997MDA-2H | 7 | Y90AA-3221 | Y90AA-4211 | 0.850 in. (21.6 mm) |
| J998MDA-2H | 8 | Y90AA-3223 | Y90AA-4212 | 0.850 in. (21.6 mm) |
| J999MDA-2H | 9 | Y90AA-3223 | Y90AA-4212 | 0.850 in. (21.6 mm) |

Note: For best performance, BASO recommends the K16 series only on these pilot models J991MDA-2H through J999MDA-2H.



BASO Gas Products LLC

J Series

Universal Multi-Mount Standing Pilot Burners

Description

The J Series Universal Multi-Mount Standing Pilot Burners are used in standing pilot applications and are available in three models. Mounting brackets on all four sides of each burner permit adaptation to almost any application.

The pilot burners are individually packed in a plastic bag with one natural gas inlet installed, one LP inlet fitting and necessary parts for mounting.

Features

- Three tapped holes in each bracket for vertical adjustment
- Natural gas or LP inlet fitting supplied
- Necessary parts for mounting furnished in each package

Agency Listing

- None



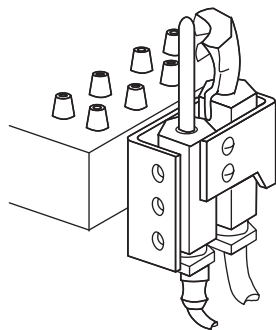
J999MHA-2



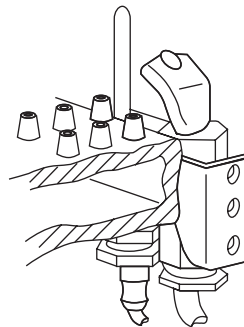
J999MKA-2



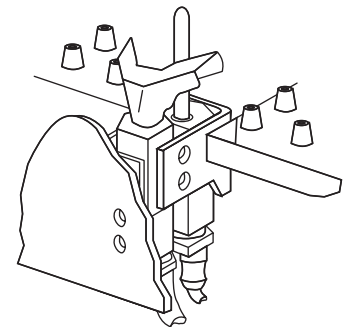
J999MYA-2



J999MHA-2



J999MKA-2



J999MYA-2

Typical Installations

Selection Chart

| Part Number | Type of Pilot | Natural Gas Inlet Fitting | LP Inlet Fitting |
|-------------|---------------|---------------------------|------------------|
| J999MHA-2H | "L" Channel | Y90AA-7223 | Y90AA-4211 |
| J999MKA-2H | Shell | Y90AA-7221 | Y90AA-4210 |
| J999MYA-2H | "Y" Channel | Y90AA-6221 | Y90AA-4211 |



BASO Gas Products LLC

J Series Pilot Burner Assemblies

Description

The J Series Pilot Burner Assemblies are replacement pilots for previously OEM-only products. These pilot burner assemblies are used with intermittent pilot ignitions (IPI) and standing pilot systems. The standing pilot burners are individually packed in a plastic bag. The intermittent spark pilot burners are individually packed in a box.

Agency Listing

- CSA (AGA/CGA) Certificate number 229521-1656071



J115DGA Standing Pilot



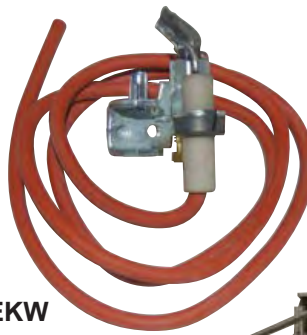
J992HXW Intermittent Pilot

Selection Chart

| Part Number | Description | OEM Name | OEM Part # |
|---------------|--|---------------------|------------|
| J114DGA-1C | Standing Pilot Burner | Garland/U S Range | 227041 |
| J115DGA-1C | Standing Pilot Burner | Jade Products | 4620400000 |
| J118DDA-1C | Standing Pilot Burner | Vahe Enterprises | 83 |
| J118DDA-3223C | Standing Pilot Burner with Natural Gas Inlet | Star | 2J-Z4608 |
| J126DDA-1C | Standing Pilot Burner | Nieco | 2011-A |
| J129DDA-1C | Standing Pilot Burner | Gas Fired Products | 03437000 |
| J181EKA-1C | Standing Pilot Burner | Grindmaster | F136A |
| J181EKA-7218C | Standing Pilot Burner with Natural Gas Inlet | Wolf Range | 718327 |
| J184EKA-9813C | Standing Pilot Burner with Inlet | Montague | 1033-2 |
| J641DHA-4712C | Standing Pilot Burner with LP Inlet | LB White | 130-02729 |
| J641DHA-6721C | Standing Pilot Burner with Natural Gas Inlet | LB White | 130-02741 |
| J962DDA-1C | Standing Pilot Burner | Nieco | 2181 |
| J963DDA-1C | Standing Pilot Burner | Nieco | 2178 |
| J963HXA-6218C | Standing Pilot Burner with Natural Gas Inlet | Reznor | 017890 |
| J966DDA-1C | Standing Pilot Burner | Nieco | 2011 |
| J966DDA-1C | Standing Pilot Burner | Marshall Air | 502451 |
| J970EKA-1C | Standing Pilot Burner | Southbend | 1173574 |
| J970EKW-9710C | Intermittent Spark Pilot Burner with LP Inlet | Lennox | 49K8501 |
| J970EKW-9718C | Intermittent Spark Pilot Burner with Natural Gas Inlet | Lennox | 69J3701 |
| J974EKW-7218C | Intermittent Spark Pilot Burner with Natural Gas Inlet | Carrier | LH31CM023 |
| J976LKW-9720C | Intermittent Spark Pilot Burner with Natural Gas Inlet | Lennox | 31J3501 |
| J977EHW-1C | Intermittent Spark Pilot Burner | Groen | 127578 |
| J978LYW-1C | Intermittent Spark Pilot Burner | Pitco - Magikitch'n | PP11296 |
| J982EHW-1C | Intermittent Spark Pilot Burner | Groen | 97024 |
| J982EHW-2C | Intermittent Spark Pilot Burner | Groen | |
| J982HKW-1C | Intermittent Spark Pilot Burner | | |



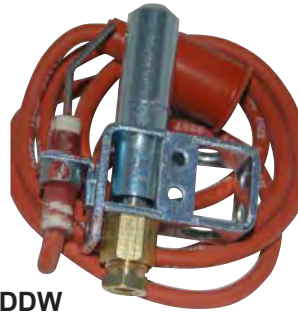
J118DDA



J970EKW



J978LYW



J987DDW



J995DTW

| Part Number | Description | OEM Name | OEM Part # |
|---------------|--|------------------|--------------|
| J983HKW-7715C | Intermittent Spark Pilot Burner with Natural Gas Inlet | Reznor | 093971 |
| J987DDW-3239C | Intermittent Spark Pilot Burner with Inlet | Wayne Combustion | 61846-002 |
| J987LKW-7721C | Intermittent Spark Pilot Burner with Natural Gas Inlet | Lennox | 99C1101 |
| J989EKW-7721C | Intermittent Spark Pilot Burner with Natural Gas Inlet | Lennox | 26F1601 |
| J989FTW-1C | Intermittent Spark Pilot Burner | Lang | 80201-14 |
| J990FTW-1C | Intermittent Spark Pilot Burner | Blodgett | 18245 |
| J991LYW-7225C | Intermittent Spark Pilot Burner with Natural Gas Inlet | US Boiler | 8236050 |
| J992DXA-4211C | Standing Pilot Burner with LP Inlet | Montague | 23220-3 |
| J992DXA-7218C | Standing Pilot Burner with Natural Gas Inlet | Montague | 34176-2 |
| J992DXA-7221C | Standing Pilot Burner with Natural Gas Inlet | Montague | 23218-1 |
| J992HXW-7221C | Intermittent Spark Pilot Burner with Natural Gas Inlet | Reznor | 061145 |
| J992HXW-7223C | Intermittent Spark Pilot Burner with Natural Gas Inlet | Reznor | 094624 |
| J992HXW-9817C | Intermittent Spark Pilot Burner with Inlet | Reznor | 61146 |
| J992LKW-7221C | Intermittent Spark Pilot Burner with Natural Gas Inlet | Carrier | LH31CM017 |
| J992LYW-7125C | Intermittent Spark Pilot Burner with Natural Gas Inlet | Weil-McLain | 571330104 |
| J993EHW-7218C | Intermittent Spark Pilot Burner with Natural Gas Inlet | Groen | 3750 |
| J994FLW-7218C | Intermittent Spark Pilot Burner with Natural Gas Inlet | Utica Boiler | JC-001.03 |
| J994HKA-1C | Standing Pilot Burner | | |
| J995DTW-9824C | Intermittent Spark Pilot Burner with Inlet | Laars Heating | W0034500 |
| J995LTA-1C | Standing Pilot Burner | Grindmaster | F137A |
| J995LYA-1C | Standing Pilot Burner | | |
| J996DDJ-3523C | Standing Pilot Burner with Natural Gas Inlet | Trane | X13130409010 |
| J996LYA-1C | Standing Pilot Burner | APW Wyott | 2092800 |
| J997DDJ-3223C | Standing Pilot Burner with Natural Gas Inlet | Trane | X13130410010 |
| J997EKW-7618C | Intermittent Spark Pilot Burner with Natural Gas Inlet | Armstrong | 5701B4 |
| J997FTA-1C | Standing Pilot Burner | APW Wyott | 2066161 |
| J998FXA-1C | Standing Pilot Burner | Little Giant Mfg | PLB |
| J998ZDW-1C | Intermittent Spark Pilot Burner | Gasmac | |
| J999HHW-6221C | Intermittent Spark Pilot Burner with Natural Gas Inlet | Reznor | 41775 |
| J999HXW-1C | Intermittent Spark Pilot Burner | ICE Mfg LTD | 710893.1 |



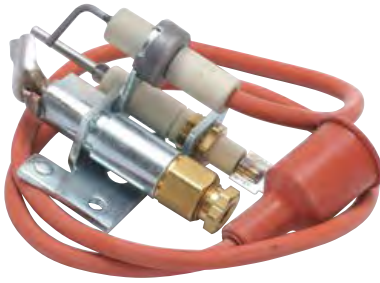
BASO Gas Products LLC

Q90 Series Pilot Burner Assemblies

Description

Q90 Series Pilot Burner Assemblies are replacement pilots for previously OEM-only products. These pilot burner assemblies are used with intermittent pilot ignition (IPI) and standing pilot systems.

The standing pilot burners are individually packed in a plastic bag. The intermittent spark pilot burners and Q90s are individually packed in a box.



Q90AA



Q90TH



Q90 Series
used with (Optional Piezo)

Q90 Selection Chart

| Part Number | Description | OEM Name | OEM Part # |
|-------------|--|----------|------------|
| Q90AA-1C | J989EKW-7721 Pilot Burner with Natural Gas Inlet and Y75AA-8 Flame Sensor | Lennox | 26F1601 |
| Q90AA-6C | J963EKW-1 Pilot Burner with Y90HB-7121 Inlet and Y75AA-8 Flame Sensor | N/A | N/A |
| Q90BB-1C | J996DKW-7723 Pilot Burner with Natural Gas Inlet, Y75AA-3 Flame Sensor and Y57JH-27 Sensor Cable | Carrier | LH31CM021 |
| Q90CC-1C | J986HXW-7221 Pilot Burner with Natural Gas Inlet and Integral Flame Sensor | Reznor | 144598 |
| Q90DD-1C | J993HHW-6221 Pilot Burner with Natural Gas Inlet, Integral Flame Sensor and Y57HH-36 Sensor Cable | Reznor | 505-47484 |
| Q90DD-2C | J990HHW-1 Pilot Burner with Y90AB-6021 Inlet and Y57HH-96 Sensor Cable | N/A | N/A |
| ▲ Q90EA-1C | J995DHW-6718 Pilot Burner with Inlet and Y75AA-8 Flame Sensor | N/A | N/A |
| ▲ Q90FF-1C | J982HKW-1 Pilot Burner with Y90HD-9732 Inlet, Y75AA-10 Flame Sensor, Pilot Tubing and 18 in. Cable | Reznor | 097534 |
| ▲ Q90FF-2C | J982HKW-1 Pilot Burner with Y90HD-9734 Inlet, Y75AA-10 Flame Sensor, Pilot Tubing and 18 in. Cable | Reznor | 097535 |
| ▲ Q90FF-3C | J982HKW-1 Pilot Burner with Y90HB-9732 Inlet, Y75AA-2 Flame Sensor, Pilot Tubing and 27 in. Cable | Reznor | 125251 |
| ▲ Q90FF-4C | J982HKW-1 Pilot Burner with Y90HD-9716 Inlet, Y75AA-2 Flame Sensor, Pilot Tubing and 27 in. Cable | Reznor | 125671 |
| ▲ Q90NP-1C | J994HKA-1 Pilot Burner with Y90HB-9732 Inlet, Pilot Tubing and K15FA-24 Thermocouple (24 in.) | Reznor | 96360 |
| ▲ Q90NP-2C | J994HKA-1 Pilot Burner with Y90HD-9734 Inlet, Pilot Tubing and K15FA-24 Thermocouple (24 in.) | Reznor | 096361 |
| ▲ Q90TH-1C | J979DDW-1 Pilot Burner with Y90AB-4014 and Y90AB-7023 inlets | N/A | N/A |

▲ means bulk pack is available upon request.

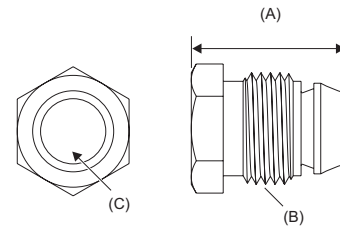


BASO Gas Products LLC

Fittings

Description

Breakaway ferrules are used with tubing by sliding the tubing into the compression fitting and tightening it into place. The ferrule then breaks off, securing itself around the tube. All fittings packaged 2 per bag.



Selection Chart

| Part Number | | Description | (A) Length | (B) Thread | (C) Tube Size |
|-------------|--|---|--|-------------------------------|---------------|
| *43283-2H | | Compression Fitting w/Breakaway Ferrule | 0.651 in. | 7/16-24 | 1/4 in. |
| *FTG75-1H | | Compression Fitting w/Breakaway Ferrule | 0.687 in. | 7/16-24 | 1/8 in. |
| KIT10A-600H | | Two Piece Nut & Ferrule | Nut Only 0.437 in. Nut w/Ferrule .658 in. | 7/16-24 | 3/16 in. |
| R36623-2H | | Tamper-proof Plug and Compression Fitting | 0.609 | 7/16-24 male thread shear off | |

Fittings for Specific Applications Selection Chart

| Part Number | Description | Length | Connections |
|-------------|-------------|-----------|---|
| *37003-1H | | 0.953 in. | 7/16-24 Male Compression to 1/8-27 NPT Female |
| *42653-1H | | 0.781 in. | 1/8-27 NPT Male to 7/16-24 Female Compression |
| FTG76-2H | | 0.620 | 16-24 Male Thread |
| *FTG79-1H | | 0.952 | 7/16-24 Male Compression to 7/16-24 Male |
| R219-7H | | N/A | 1/8-27 NPT Male to 7/16-24 Female Compression |
| *FTG79-3H | | 0.887 | 7/16-20 Male Compression to 7/16-24 Male Compression (used with corrugated tubing connecting to a BASO inlet fitting) |
| 17191-10H | | N/A | 1/8-27 NPTF Male to 1/8-27NPTF Female |
| 17191-11H | | N/A | 1/8-27NPTF to 7/16-24 Female Compression |

* means boxed in bulk, minimum 25 pieces.

Pilot Burners



BASO Gas Products LLC

Y90 Series Inlets

Description

The Y90 Series Inlet Fittings control the flow of gas to a pilot burner and are designed to be used with BASO® pilot burners. The majority of BASO® inlet fittings have two holes which control and direct the

flow of gas to the burner. The gas flow from the two holes intersect, which causes turbulence and a better gas/air mixture for proper combustion.

Agency Listing

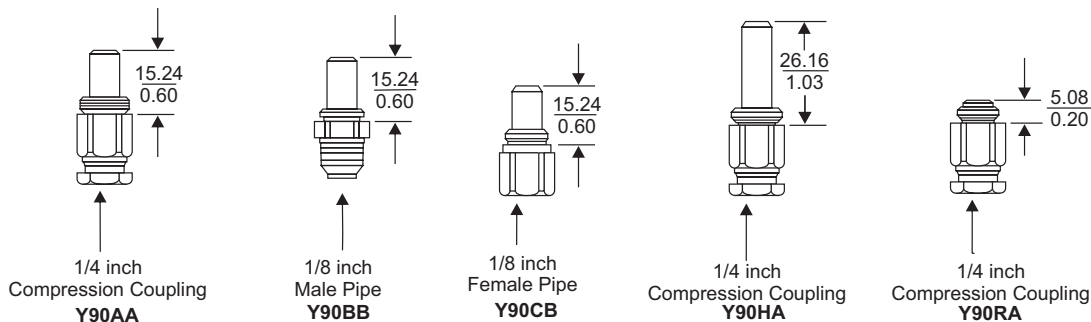
- None

Selection Chart

| Part Number | Orifice Size (in.) | Type Gas |
|-----------------------------|--------------------|----------|
| Y90AA 1/4" cc | | |
| ▲ Y90AA-3215C | .015 | Natural |
| ▲ Y90AA-3218C | .018 | Natural |
| ▲ Y90AA-3221C | .021 | Natural |
| ▲ Y90AA-3223C | .023 | Natural |
| ▲ Y90AA-3225C | .025 | Natural |
| ▲ Y90AA-4207C | .007 | LP |
| ▲ Y90AA-4208C | .008 | LP |
| ▲ Y90AA-4209C | .009 | LP |
| ▲ Y90AA-4210C | .010 | LP |
| ▲ Y90AA-4211C | .011 | LP |
| ▲ Y90AA-4212C | .012 | LP |
| ▲ Y90AA-4213C | .013 | LP |
| ▲ Y90AA-4214C | .014 | LP |
| ▲ Y90AA-4215C | .015 | LP |
| ▲ Y90AA-5232C | .032 | Natural |
| ▲ Y90AA-6221C | .021 | Natural |
| ▲ Y90AA-7218C | .018 | Natural |
| ▲ Y90AA-7221C | .021 | Natural |
| ▲ Y90AA-7223C | .023 | Natural |
| ▲ Y90AA-7225C | .025 | Natural |
| Y90BB 1/8" MALE PIPE | | |
| ▲ Y90BB-3321C | .021 | Natural |
| ▲ Y90BB-3325C | .025 | Natural |
| ▲ Y90BB-4310C | .010 | LP |
| ▲ Y90BB-4311C | .011 | LP |

| Part Number | Orifice Size (in.) | Type Gas |
|-------------------------------|--------------------|----------|
| Y90CB 1/8" FEMALE PIPE | | |
| ▲ Y90CB-3418C | .018 | Natural |
| ▲ Y90CB-3421C | .021 | Natural |
| ▲ Y90CB-3423C | .023 | Natural |
| ▲ Y90CB-3425C | .025 | Natural |
| ▲ Y90CB-4410C | .010 | LP |
| ▲ Y90CB-4411C | .011 | LP |
| ▲ Y90CB-4412C | .012 | LP |
| ▲ Y90CB-7421C | .021 | Natural |
| Y90HA 1/4" cc EXTENDED | | |
| ▲ Y90HA-4707C | .007 | LP |
| ▲ Y90HA-4709C | .009 | LP |
| ▲ Y90HA-4710C | .010 | LP |
| ▲ Y90HA-4711C | .011 | LP |
| ▲ Y90HA-4712C | .012 | LP |
| ▲ Y90HA-6721C | .021 | Natural |
| ▲ Y90HA-7718C | .018 | Natural |
| ▲ Y90HA-7721C | .021 | Natural |
| ▲ Y90HA-7723C | .023 | Natural |
| ▲ Y90HA-7725C | .025 | Natural |
| Y90RA 1/4 CC | | |
| ▲ Y90RA-9852C | .008 | LP |

▲ means bulk pack is available upon request.
 Note: Optional full brass or stainless steel inlets if these are in high temperature areas. Contact BASO for more information.



OEM Cross Reference

OEM Cross Reference

| OEM NAME | OEM PART NUMBER | BASO PART NUMBER | OEM NAME | OEM PART NUMBER | BASO PART NUMBER |
|---------------------------|-----------------|-------------------|----------------------------|--------------------------|------------------|
| A O SMITH WATER PRODUCTS | 077782-003 | H91AG-2C | ALLIED AIR ENTERPRISES | R05701B004 | J997EKW-7618C |
| | 400316-000 | Q90TN-1C | | R08245B002 | Y75AA-3C |
| | 78710 | Y75BA-4C | ALTERNATE ENERGY SYSTEMS | VAL0056-00-3 | H19NA-4C |
| ADVANCED THERMAL HYDRONIC | 2204-1336 | K16RA-30H | ALTO SHAAM INC | IG36336 | B03M-2E067C |
| | 2204-1337 | K16RA-36H | | VA-27519 | G96HAA-2C |
| AGRI SALES, INC. | 152012309 | G92CAA-19C | | VA-28189 | G96HAA-5C |
| | 152012729 | J641DHA-4712C | | VA-34531 | H91DG-2C |
| ALLIANCE LAUNDRY SYSTEMS | M411413P | BGQCACBBB201-1CDC | | VA-34530 | H96BADE-1C |
| | TU13187 | G196HAA-1C | | CR-34532 | SVC200-1D |
| | TU13513 | G196HGC-1C | | VA-28444 | Y71GF-4 |
| | M401231 | G92CBA-9C | VA-28821 | Y71QH-2C | |
| | M401228 | G93AAA-16C | AMERICAN CATER TRUCK | G004A | H43AA-12C |
| | M401229 | G93ABA-11C | | G029 | Y90AA-4212C |
| | TU3819 | G93ABA-6C | | G030 | Y90CB-4412C |
| | M403151 | G96AAQ-4C | AMERICAN DRYER CORPORATIO | 141407 | VLV49A-601R |
| | M402750 | G96HAA-2C | | 141409 | VLV49A-602R |
| | M401224 | G96HGA-7C | AMERICAN RANGE CORPORATION | A80000 | H15HR-2C |
| | 44181601 | G96HGA-13C | | A80105 | H43AA-12C |
| | 431485 | GM-70-CBP | AMERICAN WATER HEATER CO | 3200480 | H91DG-11C |
| | TU6557 | H91DA-1C | | ANETSBERGER BROTHERS INC | P8906-06 |
| | TU9948 | H91LA-1C | P8905-33 | | Y75AA-2C |
| | TU9948 | H91LA-1C | APCOM INC. | 181916-000 | H91SA-2C |
| | J1043066 | H91LG-9C | | 068891-000 | L62GB-3C |
| | M400934 | K16BA-18H | B P S PRODUCTS INC | 8081-815 | H15CA-1C |
| | M400329 | R54319-32 | | N-8081 | H19AA-4C |
| | M406217 | R54889-10A | | 8079 | H91EA-8C |
| | TU3711 | R54889-122B | | 8079-220 | H91ES-1C |
| | TU3832 | R54889-144A | | 8052 | J126DDA-1C |
| | M401226 | R54889-189G | | 8052-2 | J129DDA-1C |
| | M401227 | R54889-190G | | 8052-3 | J962DDA-1C |
| | M410012 | R54889-910G | | 8052-1 | J963DDA-1C |
| | M400331 | R55329-10S | | N-8051 | K16BA-24H |
| | 44257901 | RSDA16A-25AC | | 8048 | Y90AA-3223C |
| | M414404 | RSDA16A-25C | | N-8049 | Y90AA-4212C |
| | 70260101 | RSDA95A-25AC | BAILEY POTTERY EQUIPMENT | 404-1 | H15FA-1C |
| | M400763 | Y71AA-5C | | BALDOR ELECTRIC COMPANY | SE0071A00 |
| | M411334 | Y71GF-4 | SE0071A01 | | H91RV-2C |
| | M401209 | Y75AA-2C | | | |
| | M400918 | Y90AA-4212C | | | |
| | Q8152 | Y90AA-7223C | | | |
| | M402598 | Y90HA-4712C | | | |
| | M402701 | Y90HA-7723C | | | |

| OEM NAME | OEM PART NUMBER | BASO PART NUMBER |
|-------------------------------|-----------------|------------------|
| BEAR CAT MANUFACTURING | VLV-80703 | H19TA-3C |
| BIG DUTCHMAN INC. | 40-00-1025 | H17AA-2C |
| | 40-10-3692 | K15FA-30H |
| | 86-00-3766 | K16CA-30H |
| | 40-10-1337 | K16CA-36H |
| BISMAR INC. | 722038 | H15DA-3C |
| | 722041 | H15DH-3C |
| | 722044 | H15EQ-3C |
| | 722049 | H15FQ-1C |
| | 722050 | H15HR-2C |
| | 722064 | H17CB-3C |
| | 722073 | H19NA-4C |
| | 722076 | H19RA-2C |
| | 722079 | H19TA-3C |
| | 722085 | H43BA-2C |
| | 722103 | H91RA-4C |
| | 722112 | H91WG-1C |
| | 722142 | J996MDA-2H |
| | 722145 | J997MDA-2H |
| | 722151 | J998MDA-2H |
| | 722153 | J999MHA-2H |
| | 722155 | J999MKA-2H |
| | 722158 | K15DA-18H |
| | 722159 | K15DA-24H |
| | 722164 | K15DA-30H |
| | 722166 | K15DA-36H |
| | 722184 | K16RA-24H |
| | 722190 | K16RA-48H |
| | 722193 | K16RA-60H |
| | 722244 | Y70AA-1C |
| | 722259 | Y90AA-4207C |
| | 722262 | Y90AA-4208C |
| | 722265 | Y90AA-4209C |
| | 722268 | Y90AA-4210C |
| | 722271 | Y90AA-4211C |
| | 722274 | Y90AA-4212C |
| | 722277 | Y90AA-4213C |
| | 722283 | Y90AA-7218C |
| | 722289 | Y90AA-7221C |
| | 722292 | Y90AA-7223C |
| | 722307 | Y90HA-4710C |
| | 722310 | Y90HA-4711C |
| | 722313 | Y90HA-4712C |

| OEM NAME | OEM PART NUMBER | BASO PART NUMBER |
|-----------------------------------|-----------------|------------------|
| BLODGETT OVEN COMPANY | 17095 | G96HAA-5C |
| | 17096 | G96HAC-1C |
| | M5348 | G96HGA-19C |
| | 92-0101 | G96HGA-4C |
| | R9571 | GM-70-CLP |
| | 11501 | H91DA-7C |
| | R6490 | H91WG-1C |
| | 3835 | K16RA-60H |
| | 36605 | Y57SV-32C |
| | 18612 | Y71GF-4 |
| | 18421 | Y71JG-1 |
| | 23007 | Y71QH-2C |
| | 18256 | Y75AA-3C |
| | R8832 | Y90AA-4212C |
| | R7405 | Y90AA-4215C |
| | 18263 | Y90EA-7621C |
| | 57840 | Y90EA-7644H |
| | 18257 | Y90EC-9816C |
| | R4628 | Y90HA-7725C |
| BRADFORD-WHITE CORPORATION | 2224009000A | H91CA-27C |
| BROCK GRAIN CONDITIONING | 16-11154 | K15FA-24H |
| | 11000663 | K15FA-30H |
| | 11000041 | K15FA-36H |
| | 2534-00060 | K16BA-60H |
| | 2534-00060 | K16BA-60H |
| | 2534-00062 | K16BA-72H |
| 2533-1 | L61LL-1C | |
| BRYAN STEAM LLC | 27772 | H17BA-2C |
| | 27836 | J999MHA-2H |
| | 27872 | K16BA-72H |
| | 27848 | Y57HH-48 |
| BULLEX, INC. | 100305 | J999MYA-2H |
| | 100059 | Y90AA-7218C |
| BURNHAM COMMERCIAL | 822662 | H91WA-4C |
| | 822666 | H91WG-6C |
| | 8236050 | J991LYW-7225C |
| | 80160138 | L62GB-3C |
| | 8236040 | Y75AA-3C |

| OEM NAME | OEM PART NUMBER | BASO PART NUMBER | OEM NAME | OEM PART NUMBER | BASO PART NUMBER |
|--|-----------------|--|---|-------------------|-------------------|
| CARRIER REPLCMT COMP DIV. | EF33CZ210 | G96JGA-2C | CATER DEPOT | G0004A | H43AA-12C |
| | EF11CT303 | H91MG-8C | | G003 | H43AB-4C |
| | EF11CT243 | H91RG-1C | | G004 | H43BA-2C |
| | LH31CM023 | J974EKW-7218C | CCI THERMAL TECHNOLOGIES | VALVE- H17CB-5 | H17CB-5C |
| | LH31CM017 | J992LKW-7221C | | VALVE-H19 | H19ME-1C |
| | HH71CC150 | L61LL-1C | CHALLENGE TOOL & MFG. | AT2E-1806-3 | G96HGC-9C REVB |
| | HH71MB066 | L62GB-3C | | | |
| | EF59YT025 | R54889-189G | CHICAGO DRYER COMPANY | 2206-180 | H91WG-1C |
| | EF59YT024 | R54889-190G | | 2201-280 | L62AA-5C |
| | EF33CZ206 | VLV34A-648R | | 2211-115 | Y75AA-2C |
| | RM680003 | Y57JH-27C | | 2201-120 | Y90AA-4212C |
| | EF39AB011 | Y71GF-3 | | 2201-110 | Y90AA-7223C |
| | EF39AB009 | Y71GF-4 | CISSELL MFG COMPANY | TU3819 | G93ABA-6C |
| | EF39AB010 | Y71JG-1 | | TU6557 | H91DA-1C |
| | 1380571 | Y75AA-2C | | TU9948 | H91LA-1C |
| | LH33CM018 | Y75AA-3C | | TU3832 | R54889-144A |
| | HH79CZ036 | Y80CA-48C | COMBUSTION RESEARCH | 5225.44 | H91LG-9C |
| | LH32RN109 | Y90AA-4209C | COMMERCIAL HYDRONICS CO. | 600591 | H91WG-1C |
| | LH39GB019 | Y90AA-7218C | COMMERCIAL KITCHEN REPAIR | CKR 7850 | H15AR-3C |
| | LH32RN009 | Y90HA-4709C | COMSTOCK- CASTLE STOVE CO. | 17018 | H15HR-2C |
| | LH39GB011 | Y90HA-4711C | | 17016 | H43AB-4C |
| | LH680504 | Y90HA-7723C | CONOTECH INTERNATIONAL | 400008 | J181EKA-7218C |
| | 771-070 | 63499-1H | COPPER SCULPTURES | 2201150 | H17AB-2C |
| 771-068 | 63499-WT48H | CROWN BOILER COMPANY | 3503107 | H91AAG-1C | |
| 771-069 | 63499-WT72H | CYBERNETICS TECH IND. | CTI-B-IM | C631EDA-1C | |
| 834-077 | H17BB-1C | | CTI-B-GV | G96HGA-25C | |
| 834-922 | H17DB-5C | | CTI-L-GV | G96HGA-4C | |
| 771-077 | K14MA-36H | | CTI-L-SV | H91DA-7C | |
| 771-028 | K16RA-36H | | CTI-M-SV | H91DA-8C | |
| 771-030 | K16RA-60H | | CTI-B-PI | J987DDW-3239C | |
| 771-031 | K16RA-72H | | CTI-B-FS | Y75AS-2H | |
| 771-033 | K16RM-120H | | DESIGNER'S LIGHTING | 4-35-443 | H43AB-4C |
| 771-034 | K16RM-144H | DEXTER LAUNDRY, INC. | 9857-106-001 | R54319-32 | |
| 771-036 | K16RM-240H | | 9857-113-003 | VLV34A-609R | |
| 771-032 | K16RM-96H | | 9732-074-001 | Y71GF-4 | |
| 771-038 | K16WT-48H | | 9501-002-001 | Y75AA-2C | |
| 771-039 | K16WT-60H | CATCO/ CATALYTIC HEATER | 30-006 | H17BB-1C | |
| 771-040 | K16WT-72H | | 30-007 | H17DB-5C | |
| 771-066 | K19AA-18H | | 103-0010 | K14MA-36H | |
| 771-075 | K19AT-36H | | | | |
| 771-076 | K19AT-60H | | | | |

| OEM NAME | OEM PART NUMBER | BASO PART NUMBER |
|-------------------------------|-----------------|------------------|
| DMI MANUFACTURING INC. | 8225-2 | H15CQ-6C |
| | 8225-3 | H15DQ-2C |
| | 8225-1 | H19AA-4C |
| | 8221 | H91DA-1C |
| | 8222-1 | H91EA-8C |
| | 8222 | H91LA-1C |
| | 8235-2 | J129DDA-1C |
| | 8236-3S | J963DDA-1C |
| | 8235 | J966DDA-1C |
| | 8224 | K16BA-24H |
| | 9046 | Y90AA-3215C |
| | 8232 | Y90AA-3223C |
| | 8233 | Y90AA-4212C |
| DOXON MANUFACTURING | M401228 | G93AAA-16C |
| | M401229 | G93ABA-11C |
| | M402750 | G96HAA-2C |
| | M401224 | G96HGA-7C |
| | TU6557 | H91DA-1C |
| | M400329 | R54319-32 |
| | M406217 | R54889-10A |
| | M401226 | R54889-189G |
| | M400331 | R55329-10S |
| | M401209P | Y75AA-2C |
| DUKE MANUFACTURING CO. | 153109 | G96HAA-8C |
| | 213518 | H15HR-2C |
| | 153111 | H91CA-21C |
| | 213590 | K19AT-24H |
| | 153276 | Y71GF-4 |
| | 153771 | Y71QH-2C |
| DYNAMIC COOKING SYSTEMS | 13002-01 | H15HR-2C |
| ECLIPSE COMBUSTION | 11747 | H15DA-3C |
| | 12187 | H15FA-1C |
| | 80252-05 | H19NA-4C |
| | 21015 | H43BA-2C |
| | 80252-2 | J999MKA-2H |
| ECLIPSE INC. | 12187 | H15FA-1C |
| | 11762 | K16BA-72H |
| | 11647 | L61LL-1C |
| | 11676 | Y90AA-3223C |
| ECR INTERNATIONAL INC. | JC-001.03 | J994FLW-7218C |
| | PB-002.01 | Y90AA-4212C |

| OEM NAME | OEM PART NUMBER | BASO PART NUMBER |
|---------------------------------|-------------------|------------------|
| ELSTON MANUFACTURING INC. | HLC-240 | DD1AC-1H |
| | H10-725 | K14MA-36H |
| | H10-696 | Y90AA-4211C |
| | H10-697 | Y90HA-4711C |
| EMPIRE COMFORT SYSTEMS | R8825 | H91CG-8C |
| | 742166 | Y90AA-7221C |
| ENERCO GROUP INC. | 09352 | K15FA-18H |
| | 09357 | K16RA-24H |
| | 9374 | Y75AA-2C |
| | 05359 | Y90AA-4215C |
| | 05363 | Y90HA-4712C |
| | 05374 | Y90HA-6721C |
| FACTORY DIRECT WORLDWIDE | FDW-11312-2 | Y75AA-3C |
| FIVES NORTH AMERICAN COMB | C4000- H19NA-4 | H19NA-4C |
| GARLAND COMMERCIAL RANGES | 4533053 | C161FJD-1C |
| | 1935701 | G196HGH-7C |
| | 1935702 | G196HGK-2C |
| | 4030124 | G96HGA-4C |
| | 4030126 | G96HGC-9C |
| | 1754901 | G96HGH-5C |
| | 1415703 | H15HR-2C |
| | G01969-1H | H15HR-6C |
| | 4060179 | H91DA-7C REVB |
| | 2345700 | H91DG-12C |
| | 1269701 | Y75AA-7C |
| | 4532197 | Y90AA-4212C |
| | 223183 | Y90EC-9816C |
| GARLOCK EQUIPMENT CO. | 130018 | H19TA-3C |
| GAS FIRED PRODUCTS INC. | 3027300 | H19AL-2C |
| | 03166000 | H19LA-1C |
| | 3036200 | H19TA-3C |
| | 03695000 | H43BA-5C |
| | 03437000 | J129DDA-1C |
| | 030335000 | J181EKA-1C |
| | 30642020 | K15FA-24H |
| | 30642010 | K15FA-36H |
| | 0340103 | K16BA-18H |
| | 03345010 | Y90AA-3223C |
| 03345020 | Y90AA-4212C | |
| GILES ENTERPRISES INC. | 45109 | Y71GF-4 |

| OEM NAME | OEM PART NUMBER | BASO PART NUMBER |
|------------------------------------|-----------------|------------------|
| GILLETTE GENERATORS INC. | 070890 | H91RV-2C |
| | 071603 | SVC200-1H |
| GOLD MEDAL PRODUCTS COMPANY | 74027-RB | H43AA-12C |
| | 57033 | J999MYA-2H |
| | 57030 | K15FA-24H |
| | 89762 | K16JA-24H |
| | 74029 | Y90AA-4211C |
| | 74050 | Y90HA-4710C |
| | 74033 | Y90HA-7718C |
| GREEN AIR PRODUCTS INC. | ZGAN-005 | J118DDA-1C |
| GRINDMASTER CORPORATION | L016A | H43AB-4C |
| | F136A | J181EKA-1C |
| | F137A | J995LTA-1C |
| | F144A | J996LYA-1C |
| | F002A | K16BA-18H |
| | X049A | Y90AA-4211C |
| | X048A | Y90AA-7223C |
| | K192A | Y90CB-3423C |
| | K549A | Y90CB-4410C |
| GSI GROUP LLC | 3004-1302 | G92CAB-14C |
| | 3004-2800 | H19AA-4C |
| | 3004-2801 | H91CG-8C |
| | 6450-0997 | J999MKA-2H |
| | 3003-5013 | K19AT-24H |
| | 0409-5001 | Y90HA-4709C |
| | 3003-6004 | Y90HA-9714C |
| GT MFG INC. | D25166 | K19AA-60H |
| | D25165 | L61LL-1C |
| HASTINGS HVAC INC. | 73-21-1505-15 | L61LL-1C |
| | 73-07-1519-16 | Y75AA-2C |
| HAUL-ALL EQUIPMENT | 612-2444 | K15DA-18H |
| | 612-2437 | L61LL-1C |

| OEM NAME | OEM PART NUMBER | BASO PART NUMBER |
|-------------------------------|------------------------------|------------------|
| HENNY PENNY | 170588 | BGA158CDH-1CAAC |
| | FP05-024 | FTG79-1D |
| | 78118 | G960BADEGA-2D |
| | 93157-001 | GM-70-CLP |
| | 93157-002 | GM-70-CNG |
| | 38446 | H91DA-1C |
| | 38468 | H91DG-4C |
| | 16219 | K16BA-18H |
| | 86938-001 | Q90TH-1C |
| | 81786 | Y75AA-22H |
| | 76978 | Y75AA-3C |
| | 88254 | Y75AA-8C |
| | 153264-002 | Y90AA-2213H |
| | 153264-001 | Y90AA-2223H |
| | 16355 | Y99AX-1H |
| | ICE MANUFACTURING LTD | 710894 |
| 710893.1 | | J999HXW-1C |
| 560896A | | Y75AA-5C |
| 710894 | | Y90AA-3218C |
| IMPERIAL MANUFACTURING | 0513-1 | H91CA-21C |
| | 38406 | H91DB-2C |
| | 36240 | H91DG-2C |
| INFRARED DYNAMICS | 90054 | H91CG-12C |
| | 92010 | Y99AR-2H |
| INGERSOLL RAND | X13120423010 | H91BA-11C |
| | X15220033010 | H91RG-1C |
| | X13120510010 | H91WG-1C |
| | X13130409010 | J996DDJ-3523C |
| | X13130410010 | J997DDJ-3223C |
| | X13116600000 | L62AA-5C |
| | X13110169000 | Y57BD-31C |
| | X19070252-03 | Y57BD-52C |
| | X19070252040 | Y57BD-61C |
| | X19070252040 | Y57BD-61C |
| | X13130168020 | Y75AA-7C |
| | X13130168020 | Y75AA-7C |
| | X13110137000 | Y90AA-3221C |
| | X15101500000 | Y90AA-4211C |
| X13110174000 | Y99AF-3C | |
| X13130405010 | Y99AF-4C | |
| X01010531010 | Y99AR-1H | |
| ITW COOKING CHARLOTTE | 00-498681 | H15AR-3C |
| | 497765-2 | H15AR-4C |
| | 718327 | J181EKA-7218C |
| | 715005 | K16BA-30H |

| OEM NAME | OEM PART NUMBER | BASO PART NUMBER | OEM NAME | OEM PART NUMBER | BASO PART NUMBER |
|---------------------------|-----------------|---------------------------|--------------------|-----------------|------------------|
| ITW FOOD EQUIPMENT - BALT | 00-497122-00001 | H15AB-3C | JADE RANGE LLC | 4625100000 | BG1600M00EP-1ADC |
| | 720719 | H15AR-3C | | 3000012818 | H15CQ-3C |
| | 00-718327 | J181EKA-7218C | | 3000010243 | H15HR-6C |
| | 720426 | Y90AA-7218C | | 4620400000 | J115DGA-1C |
| 120413-2 | G92CSA-5C | 4612600100 | | K16BA-18H | |
| 01-065015 | G93AAB-2C | 4611300100 | | K16BA-24H | |
| 120412-2 | G93ASL-4C | 4626000000 | | Y75AA-7C | |
| 328426-1 | G96HGH-3C | 460202000 | | Y90AA-3221C | |
| 328426-1 | G96HGH-3C | JOHNSON GAS APPLIANCE CO. | 05-02-00030 | H15DA-3C | |
| 855772 | H15AB-3C | | 05-02-00031 | H15FA-1C | |
| 00-497122-00001 | H15AB-3C | | 05-07-00006 | K15DA-24H | |
| 498025 | H15AB-6C | | 05-07-00008 | K15DA-48H | |
| 922008 | H15AB-7C | | 05-07-00084 | K16RA-36H | |
| 497765-1 | H15AR-3C | | 10-10-00048 | L61LL-1C | |
| 497765-2 | H15AR-4C | | 10-10-00047 | L62GB-3C | |
| 802743 | H15DA-3C | | 05-04-00006 | Y90AA-3223C | |
| 498158 | H15QR-4C | | 05-04-00007 | Y90AA-4213C | |
| 00-804267 | H19AL-2C | | KEY GAS COMPONENTS | 1603-02 | G96HAA-5C |
| 856004-1 | H91ADG-1C | L B WHITE CO. | 120-05607 | G92CAA-19C | |
| 00-425712-00001 | H91DA-1C | | 120-07336 | G92CBA-10C | |
| 877700-11 | H91EA-5C | | 130-01108 | H19TA-3C | |
| 718327 | J181EKA-7218C | | 120-27709 | H91CA-24C | |
| 00-415074-00001 | J992MDA-2H | | 130-02729 | J641DHA-6721C | |
| 01-205650 | J993EHW-7218C | | 120-01090 | K15DA-18H | |
| 230313 | J997FTA-1C | | 120-01036 | K15DA-24H | |
| 00-880828 | K15DA-30H | | 120-01020 | K15DA-30H | |
| 00-920325 | K15FA-18H | | 120-22266 | K15FA-12H | |
| 00-715005 | K16BA-30H | | 120-03555 | K15FA-18H | |
| 01-065019 | K16BA-36H | | 120-03497 | K15FA-22H | |
| 906955-00060 | K16BA-60H | | 120-03066 | K16BA-36H | |
| 01-080873 | K16BA-72H | | 105-22848 | Y70AA-1C | |
| 01-206842 | L62GB-3C | | 130-20540 | Y90AA-4212C | |
| 00-328738 | Y71GF-3 | | 130-06595 | Y90AA-4213C | |
| 328738 | Y71GF-3 | | 130-02689 | Y90HA-4712C | |
| 01-065033 | Y71GF-4 | | 130-02740 | Y90HA-6721C | |
| 715007 | Y90AA-4209C | | 130-07829 | Y90HA-9714C | |
| 920331-12 | Y90AA-4211C | | W0019300 | H91WG-1C | |
| 920331-00011 | Y90AA-7218C | | W0034500 | J995DTW-9824C | |
| 720426 | Y90AA-7218C | W0030000 | L62GB-1C | | |
| | | LAGUNA CLAY | FS135 | H15DA-3C | |

| OEM NAME | OEM PART NUMBER | BASO PART NUMBER | OEM NAME | OEM PART NUMBER | BASO PART NUMBER |
|---------------------------|-----------------|--------------------------|------------------------------|---------------------|------------------|
| LATTNER BOILER COMPANY | 116520 | H17CB-3C | MEEDER EQUIPMENT/ RANSOME | JC-H15DA1D | H15DA-3C |
| | 085300 | J992MDA-2H | | JC-H19LA1C | H19LA-1C |
| | 107350 | K16RA-48H | | JC-Y90AA | Y90AA-4212C |
| | 085902 | L62AA-5C | MESTEK CANADA INC. | 3311-0017 | H91WG-1C |
| | 085900 | L62GB-3C | | 3311-0017 | H91WG-1C |
| | 085410 | Y90AA-3225C | | 33850668 | J995DTW-9824C |
| | 085450 | Y90AA-4214C | | 11J38-00480 | Y75AA-9C |
| | 085400 | Y90BB-3325C | MESTEK INC. | 11J28-01372-003GV-1 | H91MG-8C |
| Y4749 | BGN891-1C | 11J09-00844 | | Y57HH-36C | |
| 88C1901 | H91AA-6C | 11J38-00480 | | Y75AA-9C | |
| 73C0901 | H91CA-12C | 11J36-00786-001 | | Y90HA-4711D | |
| P-3-1267 | H91DG-2C | MIDCO INTERNATIONAL INC. | 840229 | H91LG-12C | |
| 49K8501 | J970EKW-9710C | | 843326 | Y75AA-4C | |
| 69J3701 | J970EKW-9718C | | 843303 | Y90AA-3218C | |
| 31J3501 | J976LKW-9720C | | 843305 | Y90AA-3225C | |
| 99C1101 | J987LKW-7721C | | 843308 | Y90AA-4212C | |
| 26F1601 | J989EKW-7721C | | 843310 | Y90AA-5232C | |
| R05701B004 | J997EKW-7618C | MIDDLEBY COOKING SYSTEMS | 1952702 | G292AA-2C | |
| 85A6601 | VLV49A-600R | | 59142 | G960BAADEA-1C | |
| 52C3901 | Y71GF-3 | | M8999 | G96MG04HBL-8NC | |
| 08245B002 | Y75AA-3C | | 50258 | GM-70-CLP | |
| 39F9501 | Y75AH-1C | | 1700760 | H15CQ-3C | |
| 33F3701 | Y75AH-2C | | 1952683 | H15DB-1C | |
| 12F1901 | Y75BA-1C | | 11501 | H91DA-7C | |
| 12F1901 | Y75BA-1C | | 28091-0017 | H91DA-8C | |
| 12F2201 | Y90HA-4710C | | M2245 | H91DB-2C | |
| 78A25 | Y90HA-4711C | | 1952703 | K15DA-30H | |
| 78A2501 | Y90HA-4711C | | 59415 | Y71GF-4 | |
| 08245B002 | Y75AA-3C | | 23007 | Y71QH-2C | |
| 08245B002 | Y75AA-3C | | M2690 | Y90AA-7225C | |
| 08245B002 | Y75AA-3C | | M2841 | Y99AX-1H | |
| LENNOX MANUFACTURING INC. | 08245B002 | Y75AA-3C | MODINE MANUFACTURING CO. | SHO64 | H91LG-8C |
| LITTLE GIANT MFG. | 30TC | K15DA-30H | | | |
| | POLP | Y90AA-4213C | | | |
| LOW TEMP INDUSTRIES, INC. | 284200 | H15AR-3C | | | |
| LUFFLAND INDUSTRIES INC. | 3735351 | K16BA-30H | | | |
| | 3435000 | L62AA-5C | | | |
| | 2335011 | Y90AA-3223C | | | |
| MARATHON EQUIPMENT INC. | 08-1024 | H19NA-4C | | | |
| MARKET FORGE INDUSTRIES | 92-0101 | G96HGA-4C | | | |
| | SS30112 | G96HGA-4C | | | |
| | 92-0262 | J990FTW-1C | | | |
| | 92-0261 | Y90AA-4212C | | | |
| MARSHALL AIR SYSTEMS INC. | 502575 | H91DB-2C | | | |
| | 502451 | J966DDA-1C | | | |
| | 500487 | Y90AA-4211C | | | |

| OEM NAME | OEM PART NUMBER | BASO PART NUMBER |
|--------------------------|-----------------|------------------|
| NIECO CORPORATION | 2058 | H15CA-1C |
| | 2122 | H15CQ-6C |
| | 12143 | H15DA-4C |
| | 2123 | H15DQ-2C |
| | 2026 | H19AA-4C |
| | 2004 | H91AA-5C |
| | 2003 | H91EA-5C |
| | 2003-B | H91EA-8C |
| | 19054 | H91EG-7C |
| | 2021 | H91ES-1C |
| | 2111 | H91MA-4C |
| | 2011-A | J126DDA-1C |
| | 2179 | J129DDA-1C |
| | 2181 | J962DDA-1C |
| | 2181 | J962DDA-1C |
| | 2178 | J963DDA-1C |
| | 2011 | J966DDA-1C |
| | 2180 | J994MDA-2H |
| | 2024 | K16BA-24H |
| | 2101 | K16BA-48H |
| | 2012 | K16BA-60H |
| | 13814 | Y75AA-5C |
| | 16857 | Y75AH-3C |
| | 2183 | Y90AA-3215C |
| | 2018 | Y90AA-3223C |
| | 2182 | Y90AA-3225C |
| | 17645 | Y90AA-4210C |
| | 2023 | Y90AA-4212C |
| | 2047 | Y90AA-5232C |
| | 18096 | Y99AX-1H |
| NORCOLD INC. | 61436322 | K16SA-36H |
| | 618445 | K19SA-18H |
| | 617983 | K19SA-48H |
| | 619154 | K19SA-60H |
| | 620424 | K19SA-78H |

| OEM NAME | OEM PART NUMBER | BASO PART NUMBER |
|---------------------------------|-----------------|------------------|
| NORTECK GLOBAL HVAC | 025787 | H91WG-1C |
| | 061145 | J992HXW-7221C |
| | 125671 | Q90FF-4C |
| | 88242 | H91LG-8C |
| | 112922 | H91MG-8C |
| | 025787 | H91WG-1C |
| | 160-25787 | H91WG-1C |
| | 017890 | J963HXA-6218C |
| | 093971 | J983HKW-7715C |
| | 061145 | J992HXW-7221C |
| | 094624 | J992HXW-7223C |
| | 126104 | Y75AA-2C |
| | 098697 | Y75AA-3C |
| | 043594 | Y75BA-3C |
| | 126101 | Y75GB-1C |
| | 40965 | Y90AA-4207C |
| | 037801 | Y90AA-4209C |
| | 042089 | Y90AA-4211C |
| | 63088 | Y90AA-7221C |
| | 063397 | Y90AA-7223C |
| PB HEAT LLC | 50752 | H17CA-1C |
| | 50753 | H91BA-3C |
| | 50754 | H91DG-2C |
| | 50755 | L62GB-1C |
| PITCO MAGIKITCH'N | 60139001 | G292AA-1C |
| | P6071776 | G96HGA-1C |
| | 2804-0871200 | H15DA-3C |
| | P5046626 | Y75AA-2C |
| | P6071332 | Y90AA-4213C |
| P6071331 | Y90AA-7223C | |
| QUEST METAL PRODUCTS LTD | 23-H15HR2D | H15HR-2C |
| | 23-BASJ970 | J970EKA-1C |
| | 23-BASY9PR | Y90AA-4210C |
| | 23-POBNQSB | Y90CB-3423C |
| | 23-POBPQSB | Y90CB-4412C |
| | 23-BASY90P | Y90HA-4712C |
| | 23-BASY9NA | Y90HA-7721C |
| RANKIN-DELUX | 51908 | H91BA-3C |
| RAYPAK CANADA LIMITED | 600562 | H91WG-1C |
| RAYPAK INC. | 601666 | H91RG-2C |
| | 600562 | H91WG-1C |
| | 600017F | L62GB-3C |
| RAY-TECH INFRARED CORP. | 74033 | H91JV-1C |
| | 74036 | H91MA-4C |

| OEM NAME | OEM PART NUMBER | BASO PART NUMBER | |
|----------------------------------|-----------------------------------|------------------|-------------|
| RECON CONTROLS LTD. | S09845A | H15FQ-1C | |
| | BSH17CB-3 | H17CB-3C | |
| | BSH91WG-1 | H91WG-1C | |
| REDING INSTRUMENTS SERV. | 834-077 | H17BB-1C | |
| | 834-078 | H17CB-5C | |
| RHEEM SALES INC. | 62-20719-01 | Y75AA-2C | |
| ROXELL USA | 13008095 | G92CAB-14C | |
| | 11000232 | H91BG-6C | |
| | 11001539 | H91MA-4C | |
| | 18001536 | H91WG-1C | |
| | 16-11154 | K15FA-24H | |
| | 11000663 | K15FA-30H | |
| | 11000041 | K15FA-36H | |
| | 11004916 | Y70AA-1C | |
| | 11004916 | Y70AA-2C | |
| RS RESTAURANT EQUIPMENT | BGP-H15DA-1D | H15DA-3C | |
| | 1G-01 | BG1600M00EM-1ADC | |
| SANITECH CORPORATION | IG-08 | Y75AA-3C | |
| | IG-07 | Y90HA-4709C | |
| | 9500-20-003 | H15DH-3C | |
| SAVAGE BROTHERS CO. | 9500-20-002 | H43BA-2C | |
| | 9500-40-001 | K15DA-24H | |
| | 9500-40-002 | K15DA-30H | |
| | 9500-00-003 | Y90AA-3218C | |
| | 9500-00-001 | Y90AA-3223C | |
| | 1922D3 | H15DA-3C | |
| SELAS HEAT TECHNOLOGY CO. | 04693D2 | H19RA-2C | |
| | 1182567 | G292AA-1C | |
| SOUTHBEND | 1185533 | G96AAQ-4C | |
| | 1180866 | H15CQ-3C | |
| | 1173493 | H15HR-6C | |
| | 1174340 | H43BA-2C | |
| | 1173484 | H91CA-24C | |
| | B42-00008 | H91RA-4C | |
| | 1173574 | J970EKA-1C | |
| | 1173576 | K15DA-12H | |
| | 1182399 | K15DA-18H | |
| | 1182580 | K15DA-24H | |
| | 1182580 | K15DA-30H | |
| | 1173580 | Y90HA-7718C | |
| | SPARTAN MANUFACTURING COR. | ELE067 | Y90HA-4709C |

| OEM NAME | OEM PART NUMBER | BASO PART NUMBER |
|----------------------------------|-----------------|------------------|
| STANDEX APW WYOTT | 2067400 | H15AB-3C |
| | 2092702 | H15DB-1C |
| | 2092800 | J996LYA-1C |
| | 2066161 | J997FTA-1C |
| | 2093200 | K16BA-18H |
| | 2092904 | Y90AA-4211C |
| | 2092903 | Y90AA-7218C |
| STANDEX BAKERS PRIDE | R3225A | G96HGA-4C |
| | M1011A | K16RA-60H |
| | R3226A | Y71GF-4 |
| | R3252A | Y71QH-2C |
| | M1167A | Y75AA-5C |
| STANDEX COOKING SOLUTIONS | 2092702 | H15DB-1C |
| | 2092800 | J996LYA-1C |
| | 2093200 | K16BA-18H |
| | M1167A | Y75AA-5C |
| | 2092904 | Y90AA-4211C |
| | 2092903 | Y90AA-7218C |
| STAR MANUFACTURING INTL. | 2V-80505-10 | G196NGH-1C |
| | 2V-Z6825 | G96MG04HBL-8NC |
| | 2V-80505-18-1 | GM-70-CLP |
| | 2J-Z4607 | H17AB-2C |
| | 2J-Z4607 | H17CA-2C |
| | 2J-Y9529 | H19AL-2C |
| | 2J-8958 | H43AB-4C |
| | 2J-8579 | H43BB-2C |
| | 2V-80502-01 | H91ADA-1C |
| | 2J-Z4610 | H91CA-21C |
| | 2V-80502-01 | H91DA-1C |
| | 2V-80502-04 | H91DA-7C |
| | 2V-Z5104 | H91DG-2C |
| | 2V-80502-03 | H91DG-2C |
| | 2J-Z4608 | J118DDA-3223C |
| | 2J-80201-14 | J989FTW-1C |
| | 2J-Z4609 | K16BA-24H |
| | 2V-80505-11 | Y71GF-3 |
| | 2V-Z5659 | Y71GF-4 |
| | 2V-80505-16 | Y71QH-3C |
| 2E-41100-07 | Y75AA-3C | |
| 2E-41100-07 | Y75AA-3C | |
| 2A-6724 | Y90AA-4207C | |
| 2A-80401-05 | Y90AA-4210C | |
| 2A-80401-04 | Y90AA-7221C | |

| OEM NAME | OEM PART NUMBER | BASO PART NUMBER |
|-----------------------------|-------------------------|------------------|
| STERO COMPANY | P542005 | J997FTA-1C |
| | P542004 | K16BA-48H |
| | P542007 | Y90AA-3221C |
| | P542006 | Y90AA-4211C |
| TEKCAST INDUSTRIES INC. | P03-005 | J996MDA-2H |
| | 323-4343 | H17DB-5C |
| | 3234341 | K15DA-24H |
| THE MONTAGUE COMPANY | 48392-3 | BG1600M00FP-1ADC |
| | 01028-6 | G92CAC-5C |
| | 27043-1 | H15CA-1C |
| | 1025-1 | H15HQ-5C |
| | 34604-7 | H15HR-2C |
| | 34604-7 | H15HR-6C |
| | 29024-6 | H91CA-21C |
| | 02152-0 | J184EKA-9813C |
| | 23220-3 | J992DXA-4211C |
| | 34176-2 | J992DXA-7218C |
| | 23218-1 | J992DXA-7221C |
| | 1013-8 | K15DA-30H |
| | 01016-2 | K15DA-36H |
| | 27038-5 | K16FA-36H |
| | 1036-7 | K16RA-48H |
| | 27876-9 | K16RA-60H |
| | 1027-8 | R54319-16 |
| | 1029-4 | R54319-18 |
| | 2335-3 | R54889-122B |
| | 1421-4 | Y57HH-36C |
| | 25394-4 | Y57HH-48 |
| | 25385-5 | Y71GF-3 |
| | 01070-7 | Y75AA-2C |
| | 25390-1 | Y90AA-4209C |
| | 25389-8 | Y90AA-7218C |
| | 30437-9 | Y90HA-4710C |
| | 30436-0 | Y90HA-6721C |
| | THERMON HEATING SYSTEMS | 3090-00176 |
| 3090-59567 | | H19TB-1C |
| 3400-00177 | | K16RA-24H |
| TOWN FOOD SERVICE EQUIPMENT | 252241 | J998MDA-2H |
| | 252241 | J999MDA-9825H |
| | 252239 | J999MHA-2H |
| | 252240 | J999MYA-2H |
| | 252238 | K16RA-36H |

| OEM NAME | OEM PART NUMBER | BASO PART NUMBER | |
|--------------------------|------------------------|------------------|----------|
| UNIFIED BRANDS, INC. | 079803 | C661BEA-1C | |
| | 97610 | G92DAB-1C | |
| | 088260 | G93AGB-1C | |
| | 160776 | G960BBCBGA-1C | |
| | 098443 | G96HGA-17C | |
| | 79801 | G96HGA-1C | |
| | 123815 | G96HGA-7C | |
| | HD GAS175 | H17DB-5C | |
| | 85160 | H91CA-21C | |
| | 99906 | H91CG-8C | |
| | 106627 | H91EG-7C | |
| | 108963 | H91RG-1C | |
| | HD GAS641 | J641DHA-4712C | |
| | 127578 | J977EHW-1C | |
| | 97024 | J982EHW-1C | |
| | 3750 | J993EHW-7218C | |
| | HD GAS524 | K15DA-24H | |
| | 063048 | K15DA-30H | |
| | 63048 | K15DA-36H | |
| | 79802 | Y71GF-4 | |
| | 152736 | Y71QH-2C | |
| | 3328 | Y75AA-2C | |
| | 152759 | Y90AA-3221C | |
| | 069886 | Y90AA-3223C | |
| | 152006 | Y90AA-3225C | |
| | 4818 | Y90AA-4209C | |
| | 139312 | Y90HA-4710C | |
| | HD GAS721 | Y90HA-6721C | |
| | 139756 | Y90HA-7721C | |
| | 117051 | Y99AX-2H | |
| | VISION PARTS & ACCESS. | Z07-H15CA1D | H15CA-1C |
| | | Z07-H15HR2D | H15HR-2C |
| WAYNE COMBUSTION SYSTEMS | 64206-001 | H91RS-2C | |
| | 64370-001 | RSDA16A-25C | |
| | 61800 | Y57HH-36C | |
| | 62325 | Y75AA-4C | |
| | 60192-018 | Y90AA-3218C | |
| | 60192 | Y90AA-3223C | |
| | 60192-025 | Y90AA-3225C | |
| | 60193 | Y90AA-4211C | |
| | 62490-001 | Y90AA-7221C | |
| | 511044039 | H91ABG-5C | |
| WEIL-MCLAIN CO INC. | 571330104 | J992LYW-7125C | |
| | 511330229 | L62GB-3C | |
| | 571724264 | Y75AA-3C | |

| OEM NAME | OEM PART NUMBER | BASO PART NUMBER |
|--|-----------------|------------------|
| WELBILT INC (CLEVELAND RANGE LTD) | SK2345700 | H91DG-12C |
| WELBILT INC FSC OPERATION | 4030124 | G96HGA-4C |
| | 4030126 | G96HGC-9C |
| | 1754901 | G96HGH-5C |
| | 4060179 | H91DA-7C |
| | 100100192 | H91DA-8C |
| | SK2345700 | H91DG-12C |
| | 4071255 | H91RS-2C |
| | 390111 | H91RS-4C |
| | 369383 | Y71GF-4 |
| | 2517012 | Y71QH-1C |
| | 369100 | Y90AA-7221C |
| | 2605056 | Y90AA-7223C |
| WELBILT INC. | 4030124 | G96HGA-4C |
| | 4030126 | G96HGC-9C |
| | 1754901 | G96HGH-5C |
| | 1754902 | G96HGK-1C |
| | 4060179 | H91DA-7C |
| | 113411 | Y71GF-3 |
| | 2517013 | Y71GF-4 |
| | 2517012 | Y71QH-1C |
| | 113410 | Y71QH-3C |
| | 2605020 | Y90AA-7221C |
| | 2605056 | Y90AA-7223C |
| WHITE CASTLE PURCHASING | C195 | G93AAB-2C |
| | C175AAA | J181EKA-1C |
| | C173 | Y90AA-7218C |
| | C176 | Y90AA-7223C |
| WILLIAMS FURNACE COMPANY | P233100 | K16BA-24H |
| | P322391 | K16KA-24H |
| WIN DEPOT INC. | W1S904 | H15DA-3C |

For Over a Century

BASO and Quality

Have Remained Synonymous

Since its inception in 1914, BASO has been recognized as an innovative leader in developing and manufacturing a wide range of quality gas control products and accessories.

Originally called Milwaukee Gas Specialty Company, the facility produced gas range accessories and later added products for water heaters and furnaces.

When the company was granted an exclusive license to manufacture and market the Baltimore Automatic Shut-Off (BASO) switch in 1934, Milwaukee Gas Specialty Company and BASO quickly became synonymous. The company's name was officially changed to BASO, Inc. in 1957.

In 1961, BASO merged with Penn Controls, and in 1968 the combined entity was purchased by Johnson Controls, Inc.

BASO Gas Products LLC, was formed on August 30, 2004, when Johnson Controls sold its BASO gas valve and pilot burner business in Watertown, Wisconsin, to George Sopko. For the previous 12 years, George had been the Johnson Controls Watertown Plant Manager. The vision to "go it alone" and purchase this business arose from the strong belief that success lies with a dedicated team of people focused on the customer and product quality, while operating in an environment using world class manufacturing methods and practices.

Today, locally owned BASO continues with the same employees, which means customers can continue to obtain the same BASO products, manufactured and supported by the same people, with the same dedication to quality.

While many things have changed in the last 100+ years, our commitment to producing superior products, providing exceptional customer service and operating with integrity remains unchanged.

BASO Gas Products LLC....firing you up since 1914.

Performance specifications are nominal and conform to acceptable industry standards. All agency certification of BASO products is performed under dry and controlled indoor environmental conditions. Use of BASO products beyond these conditions is not recommended and may void the warranty. If the product is exposed to water (dripping, spraying, rain, etc.) or other harsh environments, it must be protected. The original equipment manufacturer or end user is responsible for the correct application of BASO products. Consult BASO Gas Products for questionable applications. BASO Gas Products LLC shall not be liable for damages or product malfunctions resulting from misapplication or misuse of its products.



BASO Gas Products
450 East Horseshoe Road
Watertown WI 53094

