

Functional Devices, Inc.™



www.FunctionalDevices.com • 800.888.5538

Bulletin B1720 • 393215B

RIBMW24B-44-BC

App. Version 1.05

Contact Ratings:

- 20 Amp Resistive @ 277 Vac
- 20 Amp Ballast @ 120/277 Vac
- 16 A Elect. Ballast @ 277 Vac (N/O)
- 10 Amp Tungsten @ 120 Vac (N/O)
- 1110 VA Pilot Duty @ 277 Vac
- 770 VA Pilot Duty @ 120 Vac
- 2 HP @ 277 Vac
- 1 HP @ 120 Vac

Power Input Ratings:

- 24 Vac : 400 mA
- 24 Vdc : 190 mA

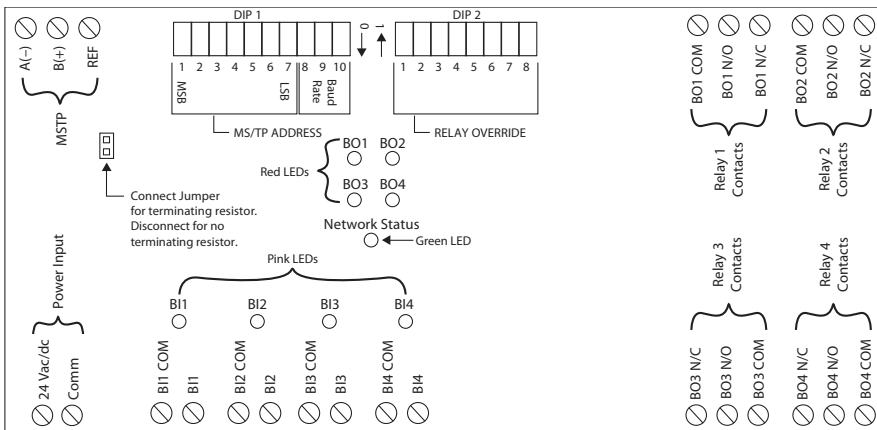
FOR SUPPLY CONNECTIONS USE #12AWG WIRES OR LARGER RATED FOR AT LEAST 75°C(167°F).

CAUTION: RISK OF ELECTRIC SHOCK - MORE THAN ONE DISCONNECT MAY BE REQUIRED TO DEENERGIZE THE DEVICE BEFORE SERVICING.



LISTED 15M6

Open Energy Management Equipment



DIP 1				
DIP Switches				Baud Rate
1-7	8	9	10	
See Bulletin B1082 for full MS/TP Addressing	0	0	0	9600
	0	0	1	19200
	0	1	0	38400
	0	1	1	57600
	1	0	0	76800
	1	0	1	115200

All other combinations=9600 baud

DIP 2									
Relay	Override state**	DIP Switches*							
		1	2	3	4	5	6	7	8
B01	Auto	1	X	X	X	0	X	X	X
	ON	X	X	X	X	1	X	X	X
	OFF	0	X	X	X	0	X	X	X
B02	Auto	X	1	X	X	X	0	X	X
	ON	X	X	X	X	X	1	X	X
	OFF	X	0	X	X	X	0	X	X
B03	Auto	X	X	1	X	X	X	0	X
	ON	X	X	X	X	X	X	1	X
	OFF	X	X	0	X	X	X	0	X
B04	Auto	X	X	X	1	X	X	X	0
	ON	X	X	X	X	X	X	X	1
	OFF	X	X	X	0	X	X	X	0

*0 = Open ; 1 = Closed **Device must be powered for override