

Ordering Information:

**Interface Board
(only)**

PSM2RB10 

**Interface Board in
12" x 14" x 6"
Metal Enclosure**

PSH2RB10 

**Kit with Interface Board in
Metal Enclosure
PLUS 550VA UPS **

PSH550-UPS

Enclosure Will Accept Any UPS

- Max size: 12.00" x 7.25" x 5.50"
- With appropriate ratings*

To Install UPS Inside Enclosure

- Remove lid from enclosure.
- Place UPS (outlets facing outward) on the bottom of enclosure with power cord facing left.
- Plug UPS into one of two outlets.
- Plug supplied power cord attached to interface circuit board into UPS.

Intended for use with 120 Vac line voltage.

UPS plugged into one of two outlets, other outlet spare



Cord from interface circuit board plugged into battery backed up outlet of UPS.

Shown with 550 VA UPS

Bottom of enclosure

Detail of Interface Board

(Model PSM2RB10)

Line Input

10 Amp max. @ 120 Vac

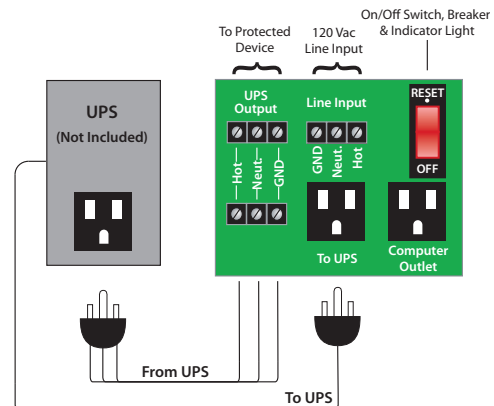
Output Both Outlets

10 Amp max. @ 120 Vac

UPS Protected Outlet

10 Amp max. @ 120 Vac

* Use with UPS devices rated
120 Vac max, 8.3 A max,
1000 VA max, 600 W max



CAUTION: RISK OF ELECTRICAL SHOCK - MORE THAN ONE DISCONNECT MAY BE REQUIRED TO DEENERGIZE THE DEVICE BEFORE SERVICING.

CAUTION: REMOVAL OF COVER OR ACCESS PLATE (IF PRESENT) EXPOSES HIGH VOLTAGE.

FOR SUPPLY CONNECTIONS USE #14AWG WIRES OR LARGER RATED FOR AT LEAST 75°C(167°F).