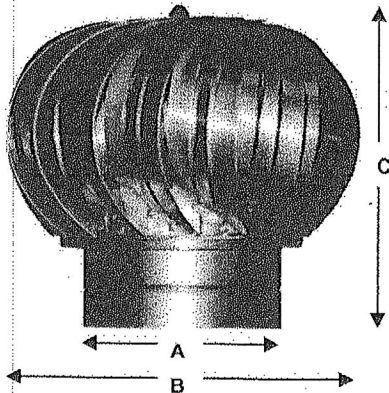


TRIANGLE TURBINE VENTILATOR (INTERNALLY BRACED)



PRODUCT FEATURES

- ◆ INTERNALLY BRACED
- ◆ LOW MAINTENANCE
- ◆ LOCKED IN LUBRICANT
- ◆ JEWEL BEARING SYSTEM REDUCES NOISE
- ◆ USES NO ENERGY
- ◆ REMOVES TRAPPED HEAT AND MOISTURE FROM ATTIC SPACE (WHEN USED IN CONJUNCTION WITH GABLE END VENTING AND/OR SOFFIT VENTING)
- ◆ WIDE RANGE OF THROAT SIZES AVAILABLE
- ◆ GALVANIZED (G-90)
- ◆ ALUMINUM (H3003)
- ◆ OTHER MATERIALS AVAILABLE-CALL FOR PRICING

Model No.	A	B	C	Nom. CFM	Galv. Ship Weight
JB 4	4.00	8.50	10.00	90	4.50
JB 6	6.00	10.75	10.50	147	4.75
JB 8	8.00	12.75	10.50	255	6.50
JB 10	10.00	14.00	10.50	425	7.50
JB 12	12.00	18.50	12.50	531	10.50
JB 14	14.00	20.50	13.00	700	18.00
JB 16	16.00	24.00	17.50	950	24.75
JB 18	18.00	26.25	17.50	1200	26.25
JB 20	20.00	30.00	21.50	1700	44.00
JB 24	24.00	34.50	21.50	2350	52.00
JB 30	30.00	43.25	21.50	3650	73.75
JB 36	36.00	50.75	21.50	4600	83.75
JB 42	42.00	61.75	24.00	5200	157.25

Artis Metals Company, Inc.

3323 West Chinden Boulevard
Boise, Idaho 83714

Toll Free Phone: 800-892-2277 Direct Dial Phone: 208-343-9679 Facsimile: 208-343-9679
Website: www.artiscaps.com E-mail: artiscaps@msn.com