

AprilAire®

Ventilation

Project: _____
 Architect: _____
 Contractor: _____
 Suppliers: _____

SUBMITTAL

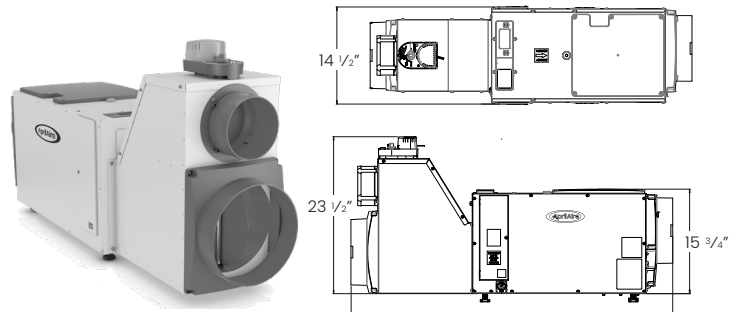
Models E100V + 8190FF

Dehumidification with Fresh Air Ventilation

Dealer: _____
 Engineer: _____
 Location: _____
 Date: _____

SPECIFICATIONS

Nominal ventilation airflow (CFM)	150 CFM	
Capacity⁽¹⁾ (water removal)	100 ppd	
Energy factor⁽¹⁾ (efficiency)	2.6 L/kWh (5.5 pints/kWh)	
Voltage, phase, frequency	120 VAC, 1 Phase, 60Hz	
Current draw⁽¹⁾	6.9 Amps	
Airflow @ varying E.S.P. (external static pressure - dry coil)	0.0" w.c.	280 CFM
	0.2" w.c.	245 CFM
	0.4" w.c.	210 CFM
Noise-Fan Only	52.8 dBA ducted	
Noise-Compressor and Fan	55.0 dBA ducted	
Dimensions: (combined cabinets)⁽²⁾	Width: 14 1/2"	
	Height: 23 1/2" w/o adjustable feet	
	Length: 48 1/4"	
Weight	E100V Unit Weight: 64 lbs.	
	E100V Shipping Weight: 82 lbs.	
	8190FF Unit Weight: 13.7 lbs.	
	8190FF Shipping Weight: 16.8 lbs.	
Control	Built-in digital control with display	
Filter	Washable MERV 8	
Refrigerant	R410A	
Coil type	Corrosion-resistant aluminum	
8' Power cord	Plug type	
Drain connection	3/4" nominal drain tubing; Supplemental barb fitting for 3/4" clear drain tubing	
Cabinet insulation	1/2" EPS	
Air discharge	Top or end	
Inlet/Outlet duct collars	10" round, 6" round vent inlet	
Backdraft damper at outlet	Included	
Warranty	5 Years	



90-2065

GENERAL DESCRIPTION

The E100V Dehumidifier and 8190FF Ventilator bring in fresh air to meet ventilation needs while removing the high humidity that comes in with the outdoor air. Fresh air is brought in when the dehumidifier is running to allow it to remove humidity from the air. The desired amount of ventilation and the maximum allowable humidity level is set using the integrated digital display which then measures the humidity of the air to determine if dehumidification is needed. Energy savings, while meeting the ventilation need, is optimized by using high and low temperature limits to bring in outdoor air when temperatures are more moderate.

The E100V is also able to manage indoor relative humidity as whole-house dehumidifier. This provides superior humidity control by managing humidity that arises inside of the home, in addition to preventing humid air from entering the home during a ventilation call.

The provided 8' power cord with plug allows for a simple installation, requiring a 120VAC outlet and 24 volt wiring to HVAC system. Installation temperature range up to 140°F. The unit is provided with a removable, washable filter.

When properly installed it will meet the following mechanical ventilation requirements:

- ASHRAE 62.2
- Energy Star Certified Homes
- EPA Indoor airPLUS
- International Residential Code (IRC)

The submittal is intended to show general, overall product dimensions and provide guidance for installation clearance. Drawings are not to scale. Ensure submittals are current. AprilAire reserves the right to make product changes without notification or obligation.

⁽¹⁾ Rated capacity, energy factor and current draw measured at 80°F/60% RH inlet air at 0.0 ESP.
⁽²⁾ Height does not include adjustable feet. Length includes the duct collars, and width includes the filter doors.

Form No. Sub-E100V + 8190FF • 316477 • 04.23

© 2023 AprilAire | aprilairepartners.com | 800.334.6011

AprilAire reserves the right to change specifications without notice.

Designed &
Assembled
in the USA

utilizing U.S. and Global Components

5
YEAR
WARRANTY