

AprilAire[®]

Ventilation

FEATURES

- E100V Dehumidifier is wired specifically for use with the 8190FF Ventilation Plenum
- Patent-pending ventilation design
- Removes moisture from outdoor air before it enters the living space
- Unit is designed, when properly installed, to achieve ASHRAE Standard 62.2
- Integral moisture and ventilation control
- High and low temperature limit lock-outs
- Simple plug-in installation
- Installation temperature range up to 140°
- Optional dehumidification control via thermostats (see below)

SPECIFICATIONS

Nominal ventilation airflow (CFM)	150 CFM	
Capacity ⁽¹⁾ pints/day	100 ppd	
Energy factor ⁽¹⁾	2.6 L/kw-h (5.5 pints/kw-h)	
Airflow @ varying E.S.P. (external static pressure - dry coil)	0.0" w.c.	280 CFM
	0.2" w.c.	245 CFM
	0.4" w.c.	210 CFM
Voltage, phase, frequency	120VAC, 1 phase, 60 Hz	
Current draw ⁽¹⁾	6.9 Amps	
Noise-Fan Only	52.8 dBA (ducted)	
Noise-Compressor and Fan	55.0 dBA (ducted)	
Dimensions (combined cabinets) ⁽²⁾	Width: 14 1/2" Height: 23 1/2" w/o adjustable feet Length: 48 1/4"	
Weights	E100V Unit Weight: 64 lbs.	E100V Shipping Weight: 82 lbs.
	8190FF Unit Weight: 13.7 lbs.	8190FF Shipping Weight: 16.8 lbs.
Inlet air operating conditions during	Dehumidification:	50°F-104°F, 40°F dew point min.
	Ventilation:	40°F-140°F, 0%-99% RH
Control	Built-in digital control with display	
Cabinet Solution	1/2" EPS	
Air discharge orientation	Top	
Inlet/Outlet duct collars	10" round	
Backflow damper at outlet	Included	
Air filter	Washable MERV 8	
Refrigeration	R-410A	
Coil type	Corrosion-resistant aluminum	
8' Power cord type	Plug type	
Drain connection ⁽³⁾	3/4" PVC adapters	
Warranty	5 Years	

⁽¹⁾Rated capacity, energy factor and current draw measured at 80°F/60% RH inlet air at 0.0 ESP.

⁽²⁾Height does not include adjustable feet. Length includes the duct collars, and width includes the filter doors.

⁽³⁾Thread adapter and barbed fitting for clear drain tubing included.

SPECIFICATION SHEET

Models E100V/8190FF

Ventilating Dehumidifier



MODELS:
E100V: Dehumidifier (requires 8190FF)
8190FF: Ventilation Plenum for AprilAire Dehumidifier

5
YEAR
WARRANTY

Designed &
 Assembled
 in the USA

utilizing U.S. and Global Components

BENEFITS

- Helps control RH in the home during periods when the air conditioning system does not run long enough to remove sufficient moisture. If air conditioner can satisfy RH requirements, the AprilAire unit's compressor shuts off
- Optimize energy savings by locking out ventilation during hottest/coldest times of the day
- Improves indoor air quality
- Installation labor reduced, requires only a power outlet and 24 volt wiring to HVAC system

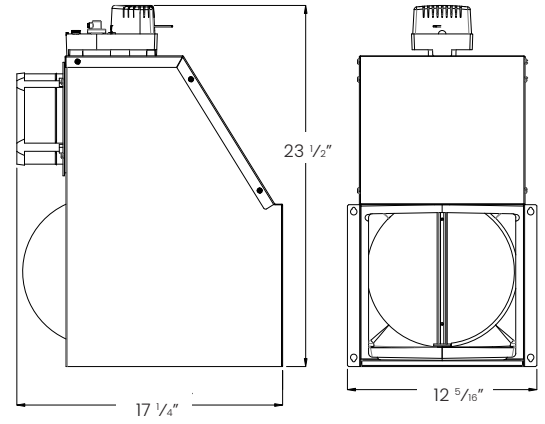
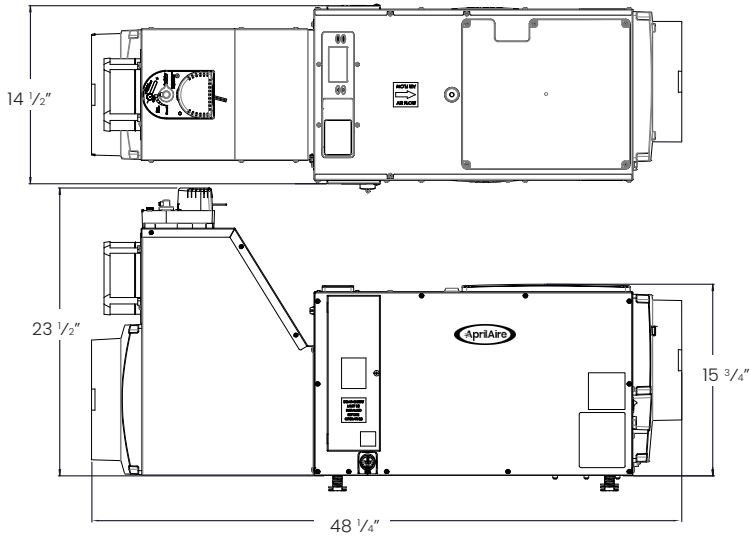
When properly installed and set, the AprilAire Ventilating Dehumidifier will meet the mechanical ventilation requirements of:

- ASHRAE 62.2
- Energy Star Certified Homes
- EPA Indoor airPLUS
- International Residential Code (IRC)

RECOMMENDED CONTROLS

- AprilAire Thermostat Models
8620 8620W 8910 8910W 8920W
- AprilAire Communicating Thermostat Models
8820 8830 8840
- Zone Control Systems
6010 6015 6020 6025
6030 6035 6040 6045

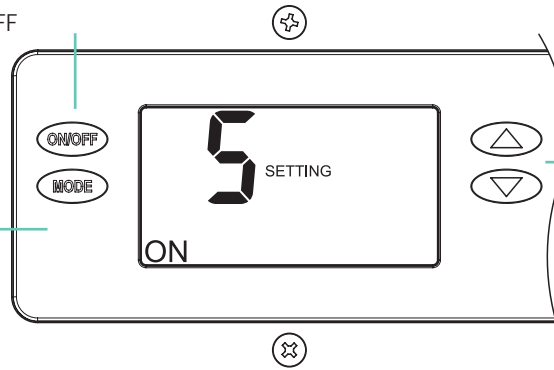
90-2065



90-2064

ON/OFF BUTTON USED TO
TURN THE VENTILATOR ON
AND OFF

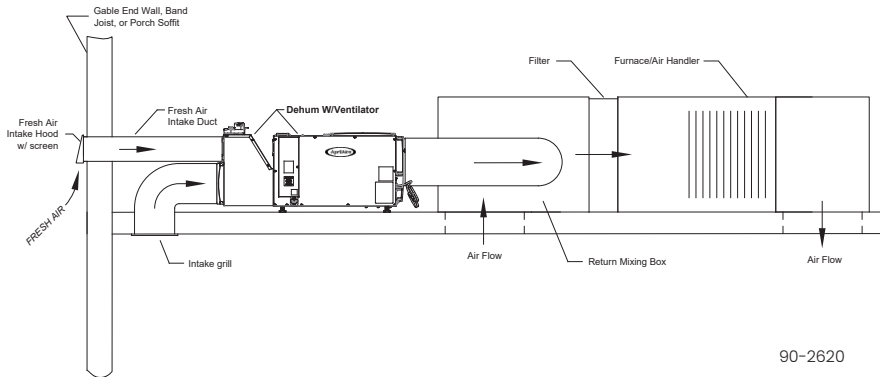
MODE BUTTON
USED TO ACCESS
VENTILATION TIME
SETTING



UP/DOWN BUTTONS
USED TO CHANGE
HUMIDITY OR VENT
TIME SETTING

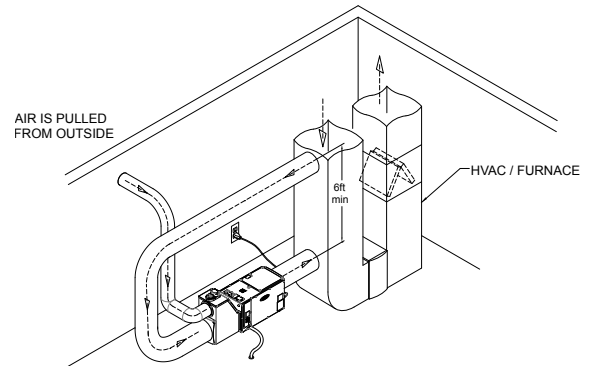
DUCTING THE VENTILATING DEHUMIDIFIER

Attic Installation



90-2620

Basement Installation



90-2621