

AprilAire®

Humidifier

SUBMITTAL SHEET

Model 866

Modulating Steam Humidifier With Fan Pack

Project: _____

Dealer: _____

Architect: _____

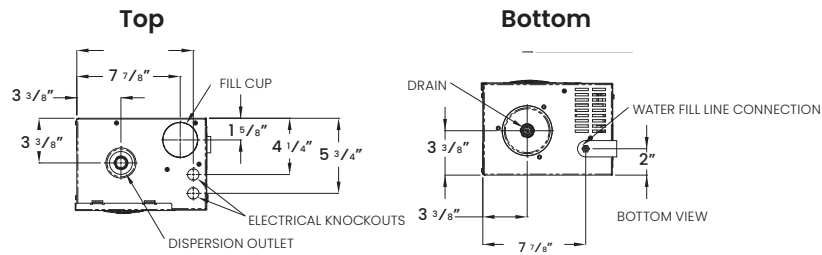
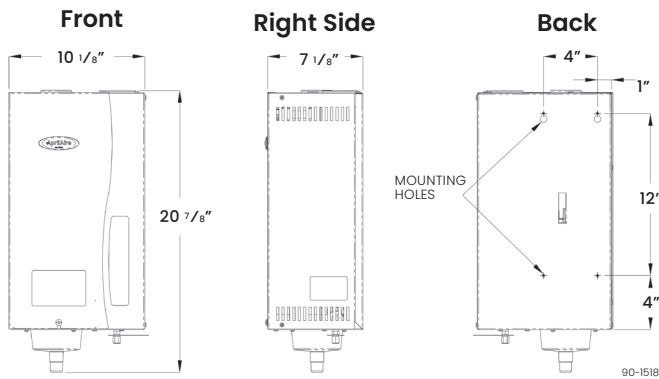
Engineer: _____

Contractor: _____

Location: _____

Suppliers: _____

Date: _____



Humidifier 801 with Dimensional Information

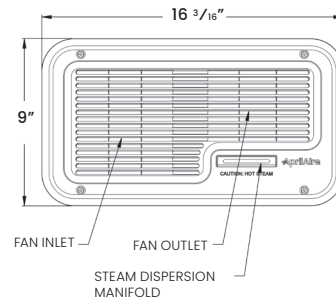
SPECIFICATIONS

Steam Capacity	11.5 - 34.6 GPD
Modulating input signal	0 - 20 VDC 0 - 10 VDC or 0 - 20 mA 2 - 10 VDC or 4 - 20 mA
Water Characteristics:	
• Water type	Cold hard, cold soft, or cold softened
• Water hardness	3 - 36 grains
• Conductivity	125 - 1250 micro Siemens per centimeter
Electrical Characteristics:	
• Voltage	120, 208 or 240 VAC
• Amp draw	11.5 or 16 amps
Drain Tempering	Drains with cold inlet water
Operating Weight	27 lbs.
Cabinet Construction:	Gray

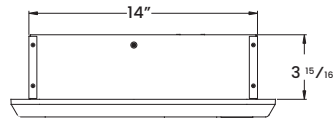
FAN PACK

Electrical Characteristics:	
Voltage	24 VAC, 60 Hz
Amp draw	.75 amps
Weight	9 lbs.

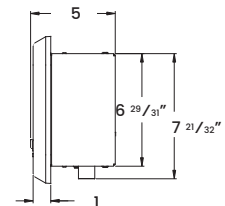
Front



Top



Right Side



Fan Pack Dimensional Information

90-2193

The submittal is intended to show general, overall product dimensions and provide guidance for installation clearance. Drawings are not to scale. Ensure submittals are current. AprilAire reserves the right to make product changes without notification or obligation.

