

AprilAire®

Humidifier

SPECIFICATION SHEET

Model 866

Modulating Steam
Humidifier with Fan Pack

Steam Capacity	Voltage	Hertz	Current Draw	
Gallons/Day			Amps	kW
11.5	120V	60 Hz	11.5	1.4
16.0			16.0	1.9
20.5	208V	60 Hz	11.5	2.4
30.0			16.0	3.3
23.3	240V	60 Hz	11.5	2.8
34.6			16.0	3.8



SPECIFICATIONS

Unit dimensions	10 1/8" W x 20 7/8" H x 7 1/8" D
Weight – unit only/ operating weight	23 lbs 27 lbs.
Drain water temperature	Drain water not to exceed 140°F. Tempered with cold fill water
Modulating configuration (proportional)	Modulating 0–10 Vdc or 0–20mA Modulating 2–10 Vdc or 4–20mA
Installation accessories included	6 ft. of commercial grade steam hose, 10 ft. drain hose, clamps/hardware
Supply water conductivity	125 to 1250 µS/cm
Supply water pressure range	25 to 120 psi
Supply/Drain connection	Supply: 1/4" copper compression fitting Drain: 1/8" for flex hose
Warranty	5 Years
Fan pack	Wall mounted discharge grill with integrated 24 VAC fan blower assembly and stainless steel dispersion chamber

FEATURES

- The Fan Pack marries with the AprilAire Model 800 Steam Humidifier to provide comfortable humidity levels in homes without duct work.
- Model 800 Steam Humidifier, fan pack, Model 65 digital humidistat and Model 4028 Drain Trap Assembly includes steam hose and drain tube.
- Proven design using electrode technology.
- One unit can provide between 11.5 and 34.6 gallons per day depending upon installation.
- The Fan Pack is recessed into a wall and connects directly to the Model 800 Steam Humidifier.
- Canister does not require cleaning or scrubbing—simply replace it annually and replace the electrode wires every three years.
- Quiet operation makes the fan pack practically unnoticeable.
- Designed to blend into a home's environment.

*Capacity adjustment is accomplished by using a dip switch.

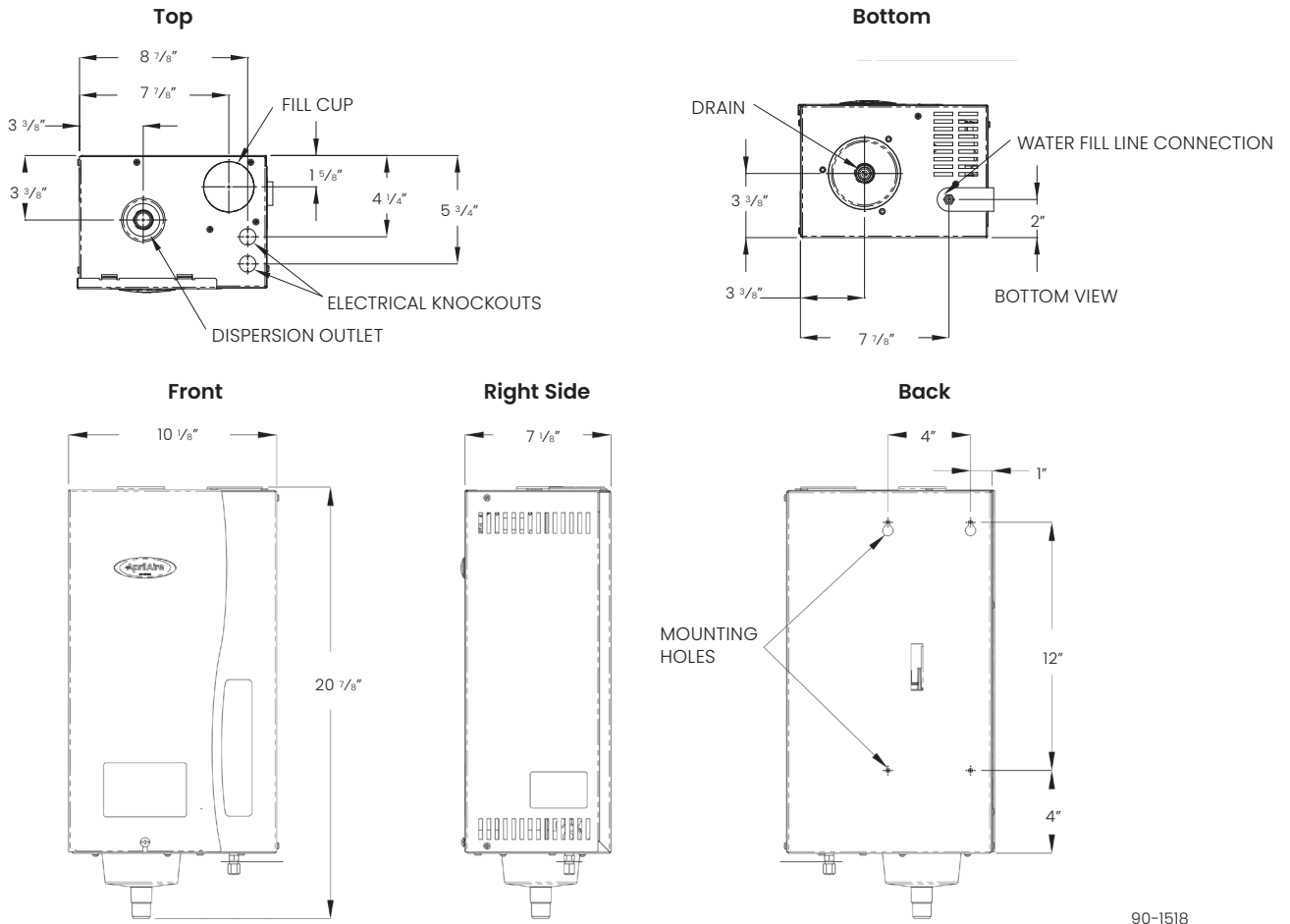
Water Hardness – 3 to 36 grain per gallon, water filtration typically not necessary. Canister replacement once per humidifier season under normal conditions. Canister life will depend on water quality and run time. Unit will automatically notify when canister must be replaced.



Designed &
Assembled in
the USA

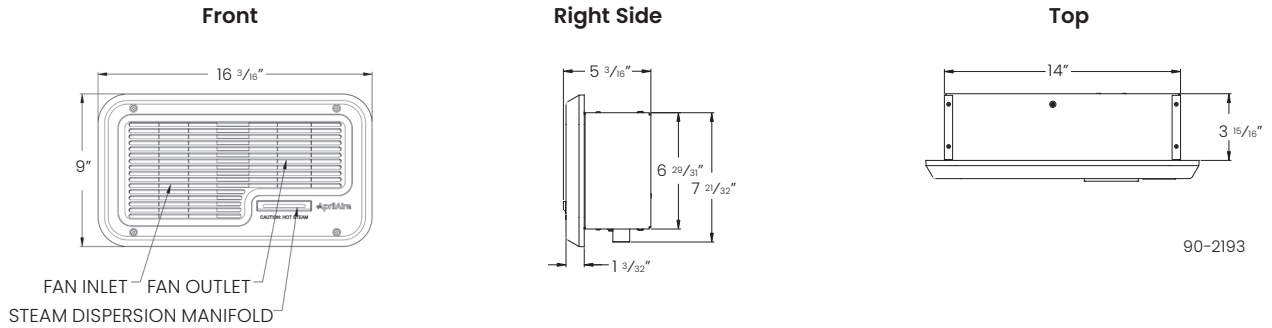
utilizing U.S. and Global Components

DIMENSIONAL INFORMATION



90-1518

FAN PACK DIMENSIONAL INFORMATION



90-2193

MODULATING HUMIDISTAT AND OUTDOOR TEMPERATURE SENSOR



MODEL 5558	
Modulating Humidistat	
Power supply	22 to 26 VAC 50/60 Hz or 28 to 32 VDC
Set point range	10 - 90% RH (in 1% increments)
Sensor precision	± 3% or better at 40% RH and 73°F (23°C)
Electrical connection	18 AWG (0.8 mm ²) minimum
Operating condition	32°F to 104°F (0°C to 40°C), 0-95% RH

Model 5558 Automatic Digital Modulating Control sold separately.