

# AprilAire®

## Humidifier

**SUBMITTAL SHEET**

# 700 & 700M

Fan Powered Humidifier

Project: \_\_\_\_\_

Dealer: \_\_\_\_\_

Architect: \_\_\_\_\_

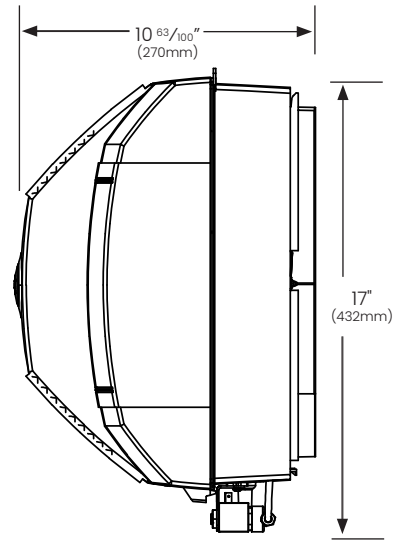
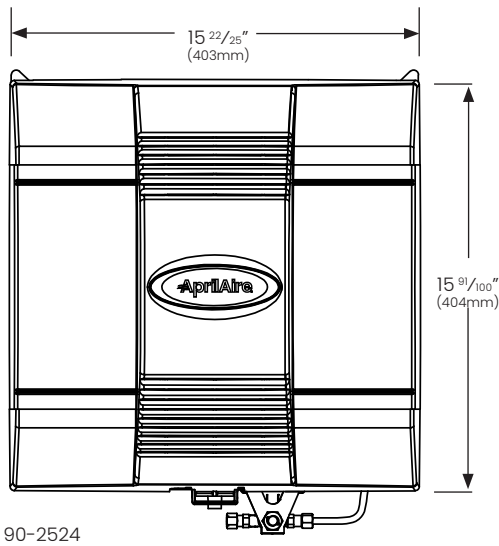
Engineer: \_\_\_\_\_

Contractor: \_\_\_\_\_

Location: \_\_\_\_\_

Suppliers: \_\_\_\_\_

Date: \_\_\_\_\_



### SPECIFICATIONS

<b>Evaporative Capacity:</b>	0.75 gal/hr
<b>Water Feed Rate:</b>	3 gph
<b>Required Water Temperature:</b>	Up to 140°F
<b>Required Supply Plenum Temperature*:</b>	120°F
<b>Ambient Temperature Operating Range:</b>	60°F - 120°F
<b>Electric Characteristics:</b>	
• <b>Water Valve:</b>	24 VAC
• <b>Control Voltage:</b>	24 VAC
• <b>Primary Voltage:</b>	120/1/60 VAC
<b>Cabinet Construction:</b>	Impact Resistant Polycarbonate/ABS
<b>Cabinet Finish:</b>	Gray
<b>Shipping Weight:</b>	17 lbs.

\*Lower plenum temperature can reduce evaporative capacity

The submittal is intended to show general, overall product dimensions and provide guidance for installation clearance. Drawings are not to scale. Ensure submittals are current. AprilAire reserves the right to make product changes without notification or obligation.

