

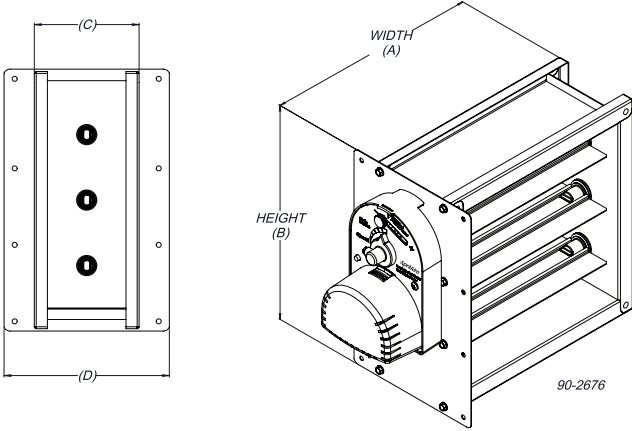
AprilAire®

Zone Control

SUBMITTAL SHEET

Normally Open/Power Closed Rectangular

Zoned Comfort Control Dampers



Project: _____

Architect: _____

Contractor: _____

Suppliers: _____

Dealer: _____

Engineer: _____

Location: _____

Date: _____

Rectangular Dampers Stock No. & Weight		NOMINAL WIDTH (A)												
		8" (203 mm)	10" (254 mm)	12" (305 mm)	14" (356 mm)	16" (406 mm)	18" (457 mm)	20" (508 mm)	22" (559 mm)	24" (610 mm)	26" (660 mm)	28" (711 mm)	30" (762 mm)	
Side Mount	NOMINAL HEIGHT (B)	8" (203 mm)	6721 - 5 lbs.	6722 - 5 lbs.	6723 - 5 lbs.	6724 - 6 lbs.	6725 - 6 lbs.	6726 - 6 lbs.	6727 - 6 lbs.	6728 - 6 lbs.	6729 - 6 lbs.	6730 - 6 lbs.	6731 - 6 lbs.	6753 - 6 lbs.
		10" (254 mm)	—	6732 - 6 lbs.	6733 - 6 lbs.	6734 - 7 lbs.	6735 - 7 lbs.	6736 - 9 lbs.	6737 - 9 lbs.	6738 - 9 lbs.	6739 - 9 lbs.	6740 - 9 lbs.	6741 - 9 lbs.	6742 - 9 lbs.
		12" (305 mm)	—	—	6743 - 7 lbs.	6744 - 8 lbs.	6745 - 8 lbs.	6746 - 9 lbs.	6747 - 10 lbs.	6748 - 10 lbs.	6749 - 11 lbs.	6750 - 25 lbs.	6751 - 26 lbs.	6752 - 27 lbs.
		14" (356 mm)	—	—	—	6754 - 8 lbs.	6755 - 9 lbs.	6756 - 11 lbs.	6757 - 11 lbs.	6758 - 12 lbs.	6759 - 12 lbs.	6760 - 28 lbs.	6761 - 29 lbs.	6762 - 31 lbs.
		16" (406 mm)	—	—	—	—	6763 - 10 lbs.	6764 - 24 lbs.	6765 - 26 lbs.	6766 - 27 lbs.	6767 - 29 lbs.	6768 - 31 lbs.	6769 - 33 lbs.	6770 - 34 lbs.
		18" (457 mm)	—	—	—	—	—	6771 - 26 lbs.	6772 - 28 lbs.	6773 - 30 lbs.	6774 - 32 lbs.	6775 - 34 lbs.	6776 - 36 lbs.	6777 - 38 lbs.
		20" (508 mm)	—	—	—	—	—	—	6778 - 31 lbs.	6779 - 33 lbs.	6780 - 35 lbs.	6781 - 37 lbs.	6782 - 40 lbs.	6783 - 42 lbs.
		22" (559 mm)	—	—	—	—	—	—	—	6784 - 36 lbs.	6785 - 38 lbs.	6786 - 41 lbs.	6787 - 43 lbs.	6788 - 45 lbs.
		24" (610 mm)	—	—	—	—	—	—	—	—	6789 - 41 lbs.	6790 - 44 lbs.	6791 - 46 lbs.	6792 - 49 lbs.
		26" (660 mm)	—	—	—	—	—	—	—	—	—	6793 - 47 lbs.	6794 - 50 lbs.	6795 - 53 lbs.
		28" (711 mm)	—	—	—	—	—	—	—	—	—	—	6796 - 53 lbs.	6797 - 56 lbs.
30" (762 mm)	—	—	—	—	—	—	—	—	—	—	—	6798 - 60 lbs.		
Bot- tom Mount	8" (203 mm)	6721 - 5 lbs.	6812 - 6 lbs.	6813 - 6 lbs.	6814 - 7 lbs.	6815 - 8 lbs.	6816 - 9 lbs.	6817 - 9 lbs.	6818 - 9 lbs.	6819 - 10 lbs.	—	—	—	
	10" (254 mm)	—	6732 - 6 lbs.	6823 - 7 lbs.	6824 - 7 lbs.	6825 - 8 lbs.	6826 - 9 lbs.	6827 - 10 lbs.	6828 - 10 lbs.	6829 - 10 lbs.	—	—	—	
	12" (305 mm)	—	—	6743 - 7 lbs.	6834 - 7 lbs.	6835 - 9 lbs.	6836 - 10 lbs.	6837 - 10 lbs.	6838 - 10 lbs.	6839 - 10 lbs.	—	—	—	
		NOMINAL DEPTH (C)			MOUNTING PLATE WIDTH (D)			BLADE WIDTH						
Non-shaded		4.0"			6.0"			3.1"						
Shaded		6.3"			8.5"			6.0"						

APPLICATIONS

Compatible with AprilAire® Zoned Comfort Control System. Dampers are designed to work in low pressure systems (less than 1.0" w.c.).

ELECTRICAL RATINGS

Two wire; power closed/spring open; 24 VAC 6Watts, 60 Hz synchronous type motor, 10VA, impedance protected for continuous stall capability without electrical or mechanical damage. Damper comes with motor mounted.

ACTUAL HEIGHT

is undercut 3/16"; **Actual width** is undercut 1/8". Shaded Models—**Actual height & width** is undercut 1/4".

The submittal is intended to show general, overall product dimensions and provide guidance for installation clearance. Drawings are not to scale. Ensure submittals are current. AprilAire reserves the right to make product changes without notification or obligation.