

# Power Open/Power Closed Rectangular

## Zoned Comfort Control Dampers

Project: \_\_\_\_\_

Dealer: \_\_\_\_\_

Architect: \_\_\_\_\_

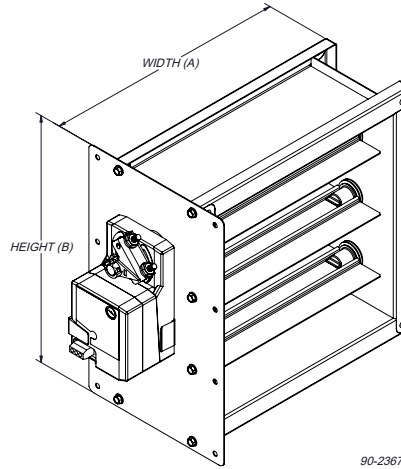
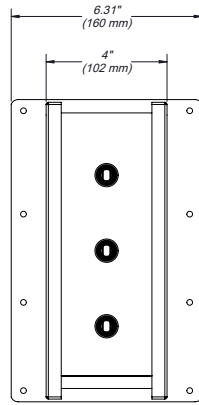
Engineer: \_\_\_\_\_

Contractor: \_\_\_\_\_

Location: \_\_\_\_\_

Suppliers: \_\_\_\_\_

Date: \_\_\_\_\_



90-2367

Rectangular Dampers Stock No. & Weight		NOMINAL WIDTH (A)												
		8" (203 mm)	10" (254 mm)	12" (305 mm)	14" (356 mm)	16" (406 mm)	18" (457 mm)	20" (508 mm)	22" (559 mm)	24" (610 mm)	26" (660 mm)	28" (711 mm)	30" (762 mm)	
Side Mount Dampers	NOMINAL HEIGHT (B)	8" (203 mm)	6721 - 5 lbs.	6722 - 5 lbs.	6723 - 5 lbs.	6724 - 6 lbs.	6725 - 6 lbs.	6726 - 6 lbs.	6727 - 6 lbs.	6728 - 6 lbs.	6729 - 6 lbs.	6730 - 6 lbs.	6731 - 6 lbs.	6753 - 6 lbs.
	10" (254 mm)	-	6732 - 6 lbs.	6733 - 6 lbs.	6734 - 7 lbs.	6735 - 7 lbs.	6736 - 9 lbs.	6737 - 9 lbs.	6738 - 9 lbs.	6739 - 9 lbs.	6740 - 9 lbs.	6741 - 9 lbs.	6742 - 9 lbs.	
	12" (305 mm)	-	-	6743 - 7 lbs.	6744 - 8 lbs.	6745 - 8 lbs.	6746 - 9 lbs.	6747 - 10 lbs.	6748 - 10 lbs.	6749 - 11 lbs.	-	-	-	
	14" (356 mm)	-	-	-	6754 - 8 lbs.	6755 - 9 lbs.	6756 - 11 lbs.	6757 - 11 lbs.	6758 - 12 lbs.	6759 - 12 lbs.	-	-	-	
	16" (406 mm)	-	-	-	-	6763 - 10 lbs.	-	-	-	-	-	-	-	
Bottom Mount Dampers	8" (203 mm)	6721 - 5 lbs.	6812 - 6 lbs.	6813 - 6 lbs.	6814 - 7 lbs.	6815 - 8 lbs.	6816 - 9 lbs.	6817 - 9 lbs.	6818 - 9 lbs.	6819 - 10 lbs.	-	-	-	
	10" (254 mm)	-	6732 - 6 lbs.	6823 - 7 lbs.	6824 - 7 lbs.	6825 - 8 lbs.	6826 - 9 lbs.	6827 - 10 lbs.	6828 - 10 lbs.	6829 - 10 lbs.	-	-	-	
	12" (305 mm)	-	-	6743 - 7 lbs.	6834 - 7 lbs.	6835 - 9 lbs.	6836 - 10 lbs.	6837 - 10 lbs.	6838 - 10 lbs.	6839 - 10 lbs.	-	-	-	

#### APPLICATIONS

Compatible with AprilAire® Zone Control System. Dampers are designed to work in low pressure systems (less than 1.0" w.c.).

#### ELECTRICAL RATINGS

Three wire; power open/power closed; 24 VAC 1.5W, 60 Hz, 2.5VA. Rotation sensing circuitry prevents damage to the actuator in a stall condition. Power consumption is reduced in holding mode. Damper comes with motor mounted.

The submittal is intended to show general, overall product dimensions and provide guidance for installation clearance. Drawings are not to scale. Ensure submittals are current. AprilAire reserves the right to make product changes without notification or obligation.