

AprilAire®

Zone Control

SUBMITTAL SHEET

Round

Zoned Comfort Control Damper

Project: _____

Dealer: _____

Architect: _____

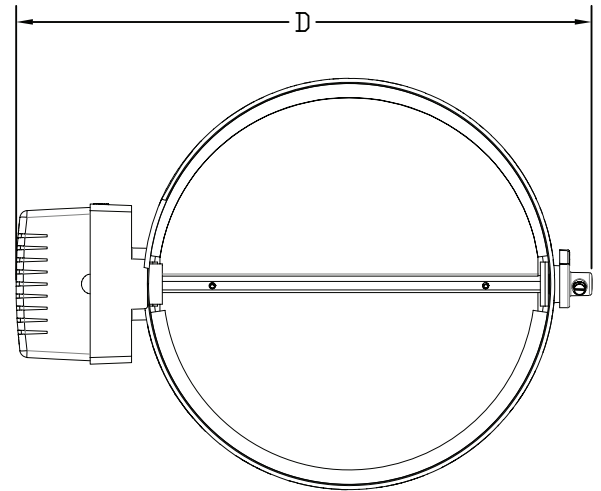
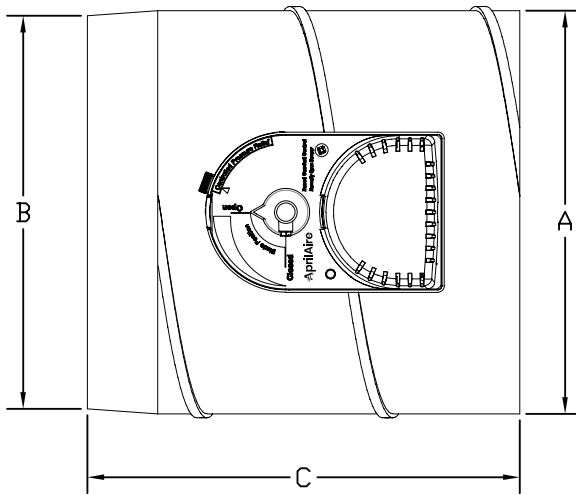
Engineer: _____

Contractor: _____

Location: _____

Suppliers: _____

Date: _____



90-2126

PART #	SIZE	A	B	C	D	Shipping Weight
6606	6"	6.03" (151 mm)	5.77" (144 mm)	10.75" (269 mm)	10.38" (264 mm)	5 lbs
6608	8"	8.03" (201 mm)	7.77" (194 mm)	10.75" (269 mm)	12.38" (314 mm)	6 lbs
6610	10"	10.03" (251 mm)	9.77" (244 mm)	10.75" (269 mm)	14.38" (365 mm)	8 lbs
6612	12"	12.03" (301 mm)	11.77" (294 mm)	12.75" (319 mm)	16.38" (416 mm)	10 lbs
6614	14"	14.03" (351 mm)	13.77" (344 mm)	14.75" (369 mm)	18.38" (467 mm)	12 lbs
6616	16"	16.03" (401 mm)	15.77" (394 mm)	16.75" (419 mm)	20.38" (518 mm)	15 lbs
6618	18"	18.03" (451 mm)	17.77" (444 mm)	19.62" (491 mm)	21.40" (535 mm)	19 lbs
6620	20"	20.03" (509 mm)	19.77" (502 mm)	22.00" (559 mm)	23.40" (594 mm)	23 lbs

APPLICATIONS

Compatible with the AprilAire Zoned Comfort Control system. Dampers are designed to work in low pressure systems (less than 1.0" w.c.).

ELECTRICAL RATINGS

Two wire; power closed/spring open; 24 VAC 6W, 60Hz, 12V. Synchronous type motor, impedance protected for continuous stall capability without electrical or mechanical damage. Damper comes with motor mounted.

The submittal is intended to show general, overall product dimensions and provide guidance for installation clearance. Drawings are not to scale. Ensure submittals are current. AprilAire reserves the right to make product changes without notification or obligation.