

AprilAire®

Humidifier

SUBMITTAL SHEET

Model 63

Automatic Digital Modulating
Control Package

Project: _____

Architect: _____

Contractor: _____

Suppliers: _____

Dealer: _____

Engineer: _____

Location: _____

Date: _____

SPECIFICATIONS

1 - MODULATING HUMIDISTAT: Microprocessor based design with proportional algorithm

Display	Digital with backlight
Output signal	On/Off 0 - 10 VDC (proportional) 2 - 10 VDC (proportional)
Capability	Humidification Dehumidification
Input signal	External humidity sensor input
Electrical Connection	18 AWG (.8 mm ² minimum)
Weight	0.35 lb (160 g)

2 - DUCT HUMIDITY SENSOR: Relative Humidity-Proportional Duct Sensor

Output signal	0 - 10 VDC
Relative Humidity Range	0 - 100% RH
Sensor Precision	± 3% at 40% RH and 73°F (23°C)
Electrical Connection	18 AWG (.8 mm ² minimum)
Weight	0.3 lb (130 g)

3 - OUTDOOR TEMPERATURE SENSOR: 10K Thermistor

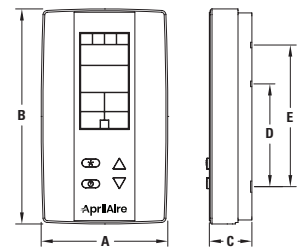
Lead Wire	UL 2468 24/2C AWG: -40°C to 80°C Heat Resistance wire 36 in. long (915 mm) long
Mounting Bracket	18 AWG Aluminum - Painted Sky White

4 - BLOWER ACTIVATION RELAY: Enclosed relay 10 Amp, polarized

Voltage Input	24 VAC/VDC coil
Relay Status	LED ON = Activated
Dimension	1.7" x 2.8" x 1.5"
Housing Rating	UL Accepted for use in plenum, NEMA 1

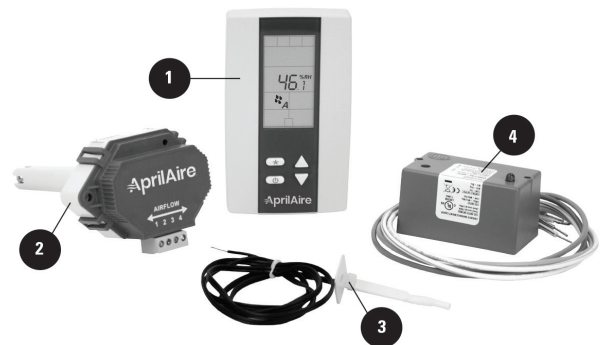
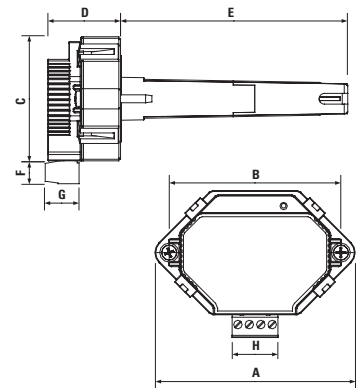
1 - MODULATING HUMIDISTAT DIMENSIONS

Dimensions	Inches (in)	Metric (mm)
A	2.85	73
B	4.85	123
C	1.00	24
D	2.36	60
E	3.27	83



2 - DUCT HUMIDITY SENSOR DIMENSIONS

Dimensions	Inches (in)	Metric (mm)
A	3.50	89
B	3.00	76
C	2.16	55
D	1.30	33
E	3.95	100
F	0.37	9.5
G	0.60	15
H	0.80	20



The submittal is intended to show general, overall product dimensions and provide guidance for installation clearance. Drawings are not to scale. Ensure submittals are current. AprilAire reserves the right to make product changes without notification or obligation.