

# AprilAire<sup>®</sup>

## Zone Control

### SUBMITTAL SHEET

# Static Pressure Controlled Motorized Bypass Damper

Project: \_\_\_\_\_

Dealer: \_\_\_\_\_

Architect: \_\_\_\_\_

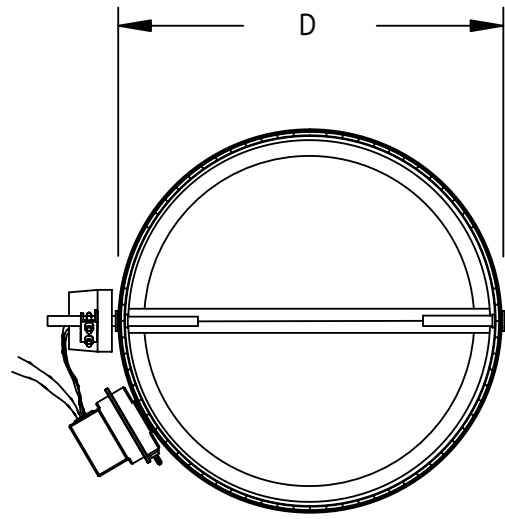
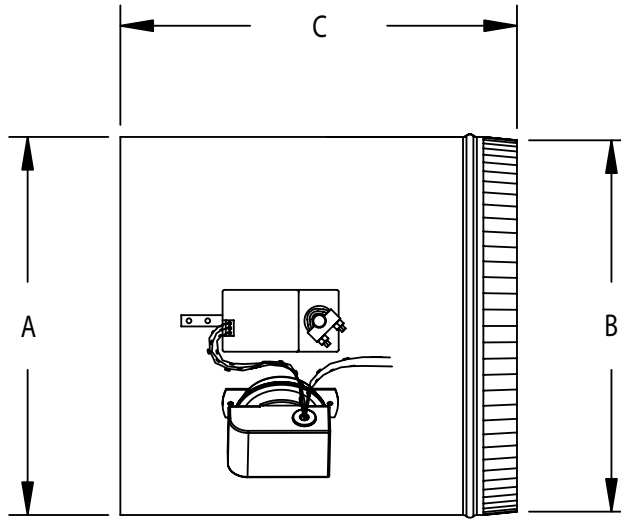
Engineer: \_\_\_\_\_

Contractor: \_\_\_\_\_

Location: \_\_\_\_\_

Suppliers: \_\_\_\_\_

Date: \_\_\_\_\_



Model	A	B	C	D	Shipping Weight
<b>6208</b>	8.13" (207 mm)	7.8" (198 mm)	8" (203 mm)	12" (305 mm)	6 lbs
<b>6210</b>	10.13" (257 mm)	9.8" (249 mm)	10" (254 mm)	14" (356 mm)	8 lbs
<b>6212</b>	12.13" (308 mm)	11.8" (300 mm)	12" (305 mm)	16" (406 mm)	10 lbs
<b>6214</b>	14.13" (359 mm)	13.8" (351 mm)	14" (356 mm)	18" (457 mm)	12 lbs
<b>6216</b>	16.13" (410 mm)	15.8" (401 mm)	16" (406 mm)	20" (508 mm)	14 lbs
<b>6218</b>	18.13" (461 mm)	17.8" (452 mm)	18" (457 mm)	22" (559 mm)	16 lbs
<b>6220</b>	20.13" (511 mm)	19.0" (483 mm)	20" (508 mm)	24" (610 mm)	24 lbs

#### APPLICATIONS

Compatible with the AprilAire Zoned Comfort Control system. Dampers are designed to relieve excess system pressure by maintaining the system static pressure based on a field adjustable static pressure switch.

#### ELECTRICAL RATINGS

Power-closed/power-open actuator; 24 VAC 2W, 60Hz, 3VA, with time delay feature to allow actuator to perform a 30 second delay before beginning to close.

**The submittal is intended to show general, overall product dimensions and provide guidance for installation clearance. Drawings are not to scale. Ensure submittals are current. AprilAire reserves the right to make product changes without notification or obligation.**