

AprilAire[®]

Humidifier

SUBMITTAL SHEET

Model 300

Self-Contained
Evaporative Humidifier

Project: _____

Dealer: _____

Architect: _____

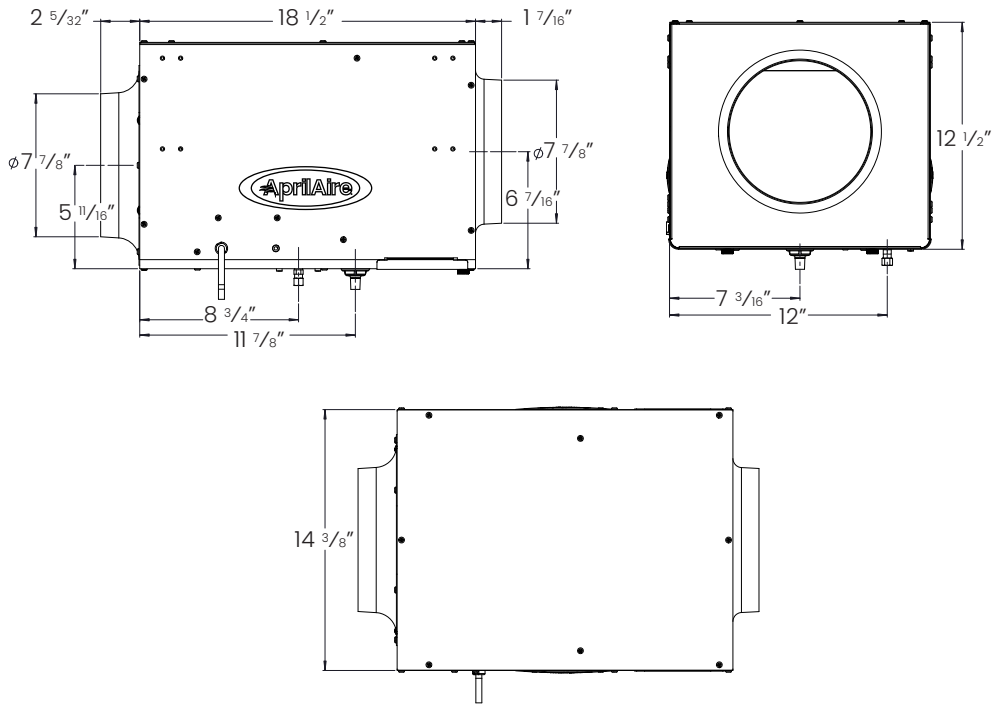
Engineer: _____

Contractor: _____

Location: _____

Suppliers: _____

Date: _____



SPECIFICATIONS

Capacity:	13 gpd at 80 ft. effective hard duct length for homes up to 3,900 sq ft with tight construction*
Water Feed Rate(gph):	6
Required Water Temperature:	120°F to 140°F
Minimum Supply Air Temperature:	65°F
Ambient Temperature Operating Range:	65°F - 120°F

Electric Characteristics:	
• Solenoid Valve:	24 VAC
• Control Voltage:	24 VAC
• Primary Voltage:	120 VAC/1 phase/60HZ
Cabinet Construction:	20 Gauge, Galvanized Cold Rolled Steel
Cabinet Finish Color:	Gray
Shipping Weight:	38.25 lbs.

*Based on AHRI Guideline F Humidifier Sizing. Can satisfy a 2,000 sq ft home with average construction.

The submittal is intended to show general, overall product dimensions and provide guidance for installation clearance. Drawings are not to scale. Ensure submittals are current. AprilAire reserves the right to make product changes without notification or obligation.

