

TECHNICAL SPECIFICATIONS

WSA2BD Series

High Efficiency Air Conditioner 13 SEER Residential System 1-1/2 – 5 Ton Capacity

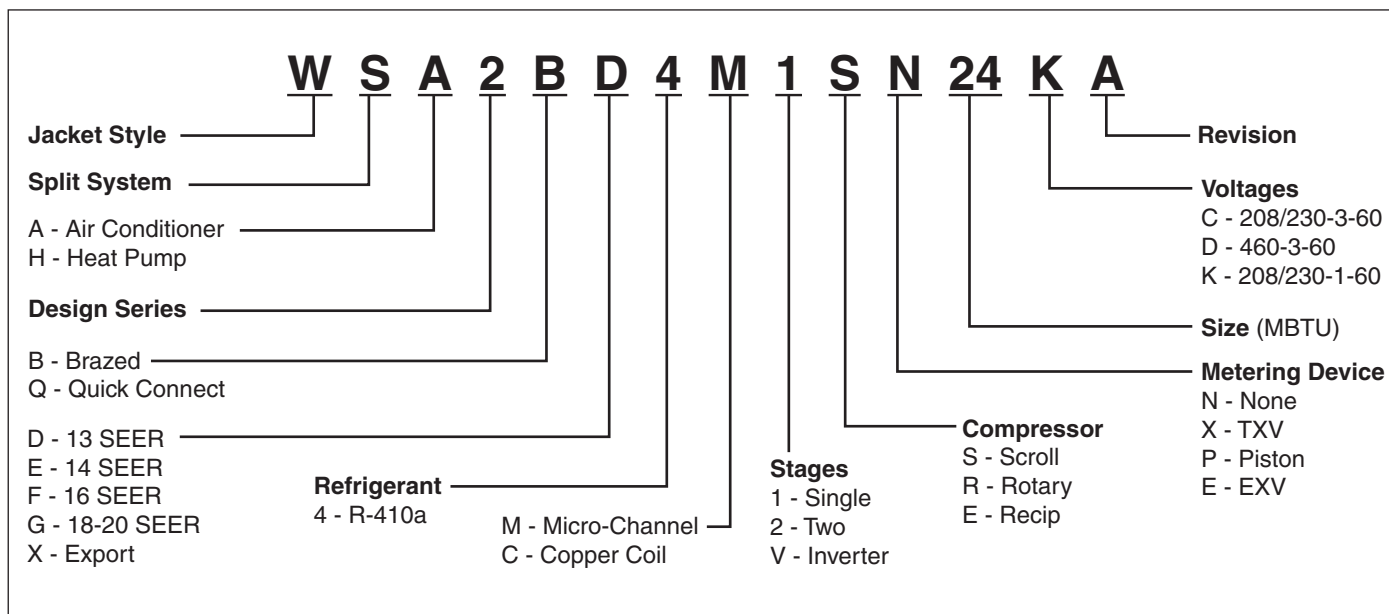
The WSA2BD Series of air conditioners offer exceptional performance. The unit, when combined with our engineered coils or air handlers, offers a full line of quality, split system cooling equipment.



FEATURES and BENEFITS

- **Quality Compressor:** State-of-the-art Copeland Scroll™ compressor is standard equipment.
- **Full Service Valves:** These brass valves are easily accessible and simplify servicing of the refrigeration system.
- **Designed Using Galvanized Steel:** With a polyester urethane coat finish, it passes 950 hours of salt spray per ASTM Std. B117.
- **Composite Base Pan:** Absorbs sound and is corrosion resistant. Composite is also stronger and lighter than steel.
- **Permanently Lubricated Motor:** A heavy duty PSC motor for long lasting reliability and quiet operation. Requires no maintenance and is completely protected from rain and snow.
- **Removable Top Grille Assembly:** Allows ease of service from the top without disconnecting fan motor leads.
- **High Pressure Switch:** Protects against abnormally high system pressures. Auto-reset feature prevents nuisance service visits.
- **Liquid Line Filter Drier:** Included with unit, field installed.
- **One-Piece Top/Orifice:** Designed for maximum airflow and quiet operation.
- **Easy Compressor and Control Access:** Designed to make servicing easier for the contractor, access panels are provided to all controls and the compressor from the side of the unit.
- **All-Aluminum Coils:** Aluminum coils in all models which provides high corrosion resistance.
- **Powder Coated Wire Guard and Mesh Hail Guard:** Will never rust and protects the coil from being damaged by balls, lawnmowers, hail, etc.

MODEL IDENTIFICATION CODES

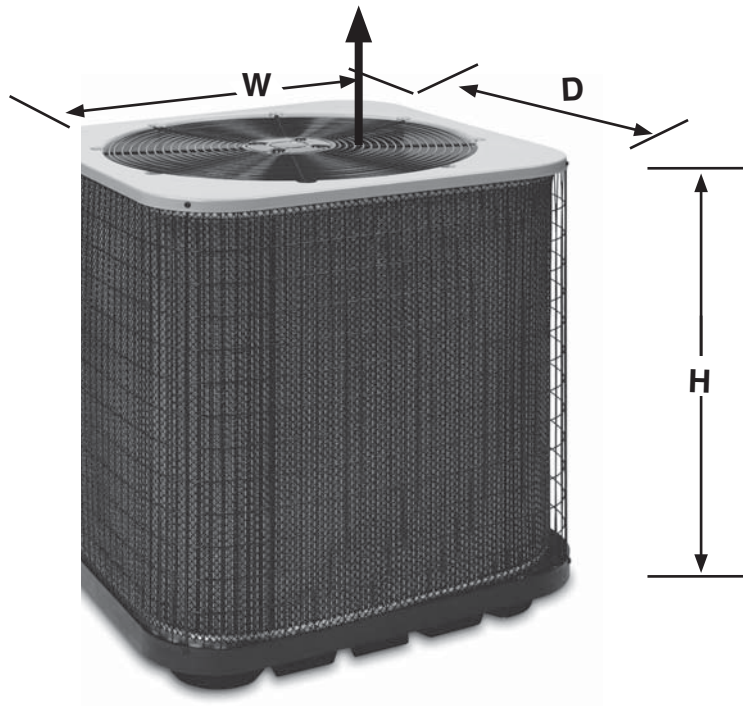


DIMENSIONS

AIR CONDITIONER OUTDOOR SECTION

WSA2BD	18K	24KA	30K	36K	42K	48K	60K
H	24.5	24.5	28.5	28.5	29.25	29.25	33.25
W	22.75	22.75	22.75	22.75	30.75	30.75	30.75
D	22.75	22.75	22.75	22.75	30.75	30.75	30.75

Air Discharge
Allow Adequate Clearance for Airflow



PHYSICAL AND ELECTRICAL SPECIFICATIONS / OUTDOOR UNITS

13 SEER — High Efficiency — Single Phase

Model Number WSA2BD4M1		SN18K	SN24KA	SN30K	SN36K	SN42K	SN48K	SN60K	
Electrical Data	Volts-Cycles-Phase (1)		208/230-60-1						
	Delay Fuse Max. (2)		20	25	30	35	40	50	60
	Min. Circuit Ampacity		12.0	14.3	18.3	22.0	23.0	28.6	34.2
	Fan Motor	HP	0.125	0.125	0.125	0.25	0.25	0.25	0.25
Refrigerant suction line O.D. NOTE: Liquid line is 3/8" O.D. for entire length.	0-24 ft.	3/4"	3/4"	3/4"	3/4"	7/8"	7/8"	7/8"	
	25-39 ft.	3/4"	3/4"	3/4"	7/8" (3)	7/8"	7/8"	1-1/8" (4)	
	40-75 ft.	3/4"	3/4"	3/4"	7/8" (3)	7/8"	7/8"	1-1/8" (4)	
Approximate Weight (lbs.)	Net	93	96	103	108	151	144	175	
	Ship	106	110	117	122	172	165	197	
Sound Rating db		74	73	74	76	79	79	79	

(1) Operating Voltage Range: 187v min. - 253v max.

(2) HACR Type Circuit Breakers may be used.

(3) Requires 7/8" to 3/4" reducer from line to unit.

(4) Requires 7/8" to 1-1/8" reducer from line to unit.

ACCESSORIES - Condensing Unit

Start Assist Kit - 912933

Provides additional starting torque for the compressor motor when operating with low line voltage or high operating temperatures.

Low Ambient Kit - 918837

High Wind Kit - NCUTD8KG

(available from <http://miamitech.com/products/metal/cutdnortek.html>)

Cantilever Kit - 1018671

SYSTEM COOLING CAPACITIES

13 SEER — High Efficiency — Single Phase

Outdoor Unit	Indoor Unit	Capacity	SEER	EER	CFM
WSA2BD4M1SN18K	C7B(A,H)M01824(C,U)-A	17,600	13.00	10.50	605
WSA2BD4M1SN18K	C7B(A,H)M01824(C,U)-B	17,600	13.00	10.50	535
WSA2BD4M1SN24KA	C7B(A,H)M01824(C,U)-A	23,200	13.00	10.50	690
WSA2BD4M1SN24KA	C7B(A,H)M01824(C,U)-B	23,200	13.00	10.50	690
WSA2BD4M1SN30K	C7B(A,H)M03036(C,U)-A	28,600	13.00	10.50	960
WSA2BD4M1SN30K	C7B(A,H)M03036(C,U)-B	28,600	13.00	10.50	960
WSA2BD4M1SN30K	C7B(A,H)M030(C,U)-C	28,600	13.00	10.50	960
WSA2BD4M1SN36K	C7B(A,H)M03036(C,U)-A	35,000	13.00	10.50	1055
WSA2BD4M1SN36K	C7B(A,H)M03036(C,U)-B	35,000	13.00	10.50	1055
WSA2BD4M1SN36K	C7B(A,H)M03642(C,U)-B	35,000	13.00	10.50	1055
WSA2BD4M1SN36K	C7B(A,H)M03648(C,U)-C	35,000	13.00	10.50	1055
WSA2BD4M1SN42K	C7B(A,H)M03642(C,U)-B	40,000	13.00	10.50	1290
WSA2BD4M1SN42K	C7B(A,H)M03648(C,U)-C	40,000	13.00	10.50	1290
WSA2BD4M1SN42K	C7B(A,H)M042(C,U)-D	40,000	13.00	10.50	1290
WSA2BD4M1SN48K	C7B(A,H)M03648(C,U)-C	46,000	13.00	10.50	1415
WSA2BD4M1SN48K	C7B(A,H)M048(C,U)-C	45,500	13.00	10.50	1305
WSA2BD4M1SN48K	C7B(A,H)M048(C,U)-D	45,500	13.00	10.50	1305
WSA2BD4M1SN60K	C7B(A,H)M060(C,U)-C	55,000	13.00	10.50	1445
WSA2BD4M1SN60K	C7B(A,H)M060(C,U)-D	55,000	13.00	10.50	1445

See current AHRI Directory for certified combinations and ratings. All ratings are with time delay relay.
www.ahridirectory.org

Outdoor Unit	Indoor Unit	Capacity	SEER	A EER	CFM
WSA2BD4M1SN18K	B6BMM024K-A	17,400	13.00	10.50	555
WSA2BD4M1SN18K	B6BMM024K-B	17,500	13.00	10.50	550
WSA2BD4M1SN24KA	B6BMM024K-A	23,200	13.00	10.50	670
WSA2BD4M1SN24KA	B6BMM024K-B	23,200	13.00	10.50	715
WSA2BD4M1SN30K	B6BMM030K-A	28,400	13.00	10.50	920
WSA2BD4M1SN30K	B6BMM030K-B	28,400	13.00	10.50	890
WSA2BD4M1SN36K	B6BMM036K-B	35,000	13.00	10.50	1160
WSA2BD4M1SN42K	B6BMM042K-B	40,000	13.00	10.50	1370
WSA2BD4M1SN48K	B6BMM048K-B	46,500	13.00	10.50	1355
WSA2BD4M1SN48K	B6BMM048K-C	47,500	13.00	10.50	1630
WSA2BD4M1SN60K	B6BMM060K-C	55,000	13.00	10.50	1700

See current AHRI Directory for certified combinations and ratings. All ratings are with time delay relay.
www.ahridirectory.org

COOLING EXPANDED RATINGS WITH COIL

WSA2BD4M1SN18K with C7B(A,H)M01824(C,U)-A + TDR

O.D.T			65°F			75°F			85°F			95°F			105°F			115°F		
CFM	E.D.B.	E.W.B.	T.C.	S.C.	K.W.	T.C.	S.C.	K.W.	T.C.	S.C.	K.W.	T.C.	S.C.	K.W.	T.C.	S.C.	K.W.	T.C.	S.C.	K.W.
525	80	62	18.4	14.6	1.10	17.6	14.4	1.23	16.8	14.5	1.37	15.9	14.2	1.52	14.92	14.67	1.69	14.03	13.79	1.88
	80	67	20.3	11.8	1.12	19.4	11.7	1.26	18.5	11.8	1.39	17.5	11.5	1.55	16.40	11.27	1.72	15.24	10.44	1.91
	80	72	22.5	9.2	1.16	21.6	9.1	1.29	20.5	9.3	1.44	19.5	9.1	1.59	18.30	8.90	1.76	17.05	9.08	1.96
	75	63	18.6	11.4	1.10	17.8	11.3	1.23	17.0	11.3	1.37	16.0	11.0	1.52	14.97	9.93	1.69	13.84	10.74	1.88
600	80	62	19.0	15.7	1.14	18.2	16.0	1.27	17.3	15.6	1.40	16.4	15.4	1.56	15.59	15.06	1.73	14.65	14.52	1.92
	80	67	20.7	12.6	1.16	19.8	12.9	1.29	18.9	12.5	1.43	17.8	12.4	1.58	16.73	12.30	1.76	15.55	12.22	1.95
	80	72	23.0	9.7	1.20	22.0	10.1	1.33	21.0	9.8	1.48	19.8	9.7	1.63	18.62	9.71	1.80	17.26	9.72	1.99
	75	63	19.1	12.1	1.14	18.3	12.4	1.27	17.4	12.0	1.41	16.4	11.8	1.56	15.31	11.71	1.73	14.15	11.57	1.91
675	80	62	19.4	17.0	1.17	18.6	17.1	1.30	17.9	16.6	1.44	17.1	16.2	1.60	16.14	15.60	1.77	15.15	15.09	1.97
	80	67	21.2	13.5	1.20	20.2	13.6	1.33	19.2	13.3	1.47	18.2	13.2	1.62	17.01	13.02	1.79	15.83	13.33	1.98
	80	72	23.4	10.4	1.24	22.4	10.6	1.37	21.3	10.3	1.51	20.1	10.3	1.67	18.77	10.19	1.84	17.41	10.25	2.03
	75	63	19.5	13.0	1.17	18.6	13.1	1.30	17.7	12.7	1.44	16.7	12.6	1.59	15.56	12.38	1.76	14.42	12.61	1.95

WSA2BD4M1SN24KA with C7B(A,H)M01824(C,U)-B + TDR

O.D.T			65°F			75°F			85°F			95°F			105°F			115°F		
CFM	E.D.B.	E.W.B.	T.C.	S.C.	K.W.	T.C.	S.C.	K.W.	T.C.	S.C.	K.W.	T.C.	S.C.	K.W.	T.C.	S.C.	K.W.	T.C.	S.C.	K.W.
700	80	62	24.1	20.5	1.36	23.6	20.4	1.53	22.8	20.0	1.72	22.0	19.6	1.93	21.0	19.1	2.19	19.8	18.5	2.49
	80	67	26.3	17.5	1.36	25.5	17.1	1.53	24.7	16.8	1.72	23.8	16.4	1.94	22.8	15.9	2.20	21.6	15.4	2.50
	80	72	28.4	14.3	1.37	27.4	13.9	1.54	26.6	13.5	1.73	25.6	13.1	1.96	24.6	12.8	2.22	23.3	12.2	2.54
	75	62	24.1	17.6	1.36	23.5	17.3	1.53	22.7	17.0	1.72	21.9	16.5	1.93	20.9	16.0	2.19	19.7	15.3	2.48
	75	67	26.1	14.4	1.36	25.4	14.1	1.53	24.5	13.7	1.72	23.6	13.3	1.94	22.6	12.8	2.20	21.3	12.2	2.50
800	80	62	24.6	21.7	1.40	24.0	21.6	1.57	23.2	21.1	1.76	22.3	20.8	1.98	21.3	20.2	2.24	20.1	19.6	2.53
	80	67	26.7	18.3	1.40	26.0	18.0	1.58	25.2	17.6	1.77	24.2	17.2	1.99	23.2	16.7	2.25	21.9	16.2	2.55
	80	72	29.0	14.8	1.41	27.9	14.3	1.58	27.0	14.0	1.78	26.0	13.6	2.00	24.9	13.1	2.27	23.5	12.5	2.58
	75	62	24.6	18.5	1.40	23.9	18.1	1.57	23.1	17.8	1.76	22.3	17.4	1.98	21.2	16.8	2.23	20.0	16.2	2.52
	75	67	26.7	15.0	1.41	25.8	14.6	1.58	25.0	14.2	1.77	24.0	13.8	1.99	22.8	13.3	2.24	21.5	12.6	2.54
900	80	62	25.2	23.0	1.45	24.3	22.7	1.62	23.5	22.3	1.81	22.6	21.8	2.03	21.6	21.2	2.29	20.4	20.4	2.58
	80	67	27.2	19.1	1.46	26.3	18.7	1.63	25.4	18.4	1.82	24.5	18.0	2.04	23.4	17.5	2.30	22.1	16.9	2.60
	80	72	29.3	15.2	1.46	28.1	14.7	1.64	27.2	14.3	1.83	26.2	13.9	2.06	25.1	13.4	2.32	23.7	12.8	2.64
	75	62	25.1	19.4	1.45	24.2	18.9	1.62	23.4	18.5	1.81	22.5	18.1	2.03	21.4	17.5	2.28	20.2	16.8	2.58
	75	67	27.2	15.4	1.46	26.2	15.1	1.63	25.3	14.7	1.82	24.3	14.2	2.04	23.0	13.6	2.30	21.6	12.9	2.59

WSA2BD4M1SN30K with C7B(A,H)M03036(C,U)-A + TDR

O.D.T			65°F			75°F			85°F			95°F			105°F			115°F		
CFM	E.D.B.	E.W.B.	T.C.	S.C.	K.W.	T.C.	S.C.	K.W.	T.C.	S.C.	K.W.	T.C.	S.C.	K.W.	T.C.	S.C.	K.W.	T.C.	S.C.	K.W.
875	80	62	29.6	22.4	1.78	28.5	22.9	1.97	27.3	23.0	2.17	25.9	22.6	2.40	24.44	23.82	2.66	22.82	22.23	2.96
	80	67	32.5	18.7	1.83	31.3	18.5	2.01	29.9	18.7	2.21	28.5	18.3	2.44	26.84	17.97	2.71	25.04	16.48	3.01
	80	72	36.3	14.7	1.89	34.9	14.6	2.08	33.4	15.0	2.28	31.7	14.6	2.51	29.92	14.40	2.78	27.67	14.66	3.11
	75	63	30.0	18.1	1.79	28.8	17.9	1.97	27.5	18.0	2.18	26.1	17.6	2.40	24.53	15.96	2.67	22.83	17.18	2.96
1000	80	62	30.5	24.9	1.85	29.3	25.4	2.03	28.0	24.8	2.23	26.7	24.5	2.46	25.29	24.29	2.73	23.96	23.76	3.03
	80	67	33.4	19.8	1.89	32.0	20.4	2.07	30.7	19.8	2.28	29.1	19.6	2.51	27.46	19.54	2.77	25.57	19.40	3.07
	80	72	37.1	15.5	1.96	35.6	16.2	2.14	34.0	15.7	2.35	32.2	15.6	2.58	30.05	15.65	2.84	27.90	15.56	3.17
	75	63	30.8	19.1	1.85	29.5	19.6	2.03	28.2	19.0	2.23	26.7	18.7	2.46	25.10	18.61	2.72	23.31	18.40	3.02
1125	80	62	31.3	26.9	1.90	30.0	27.1	2.09	28.7	26.5	2.29	27.6	26.1	2.53	26.32	25.43	2.80	24.77	24.66	3.10
	80	67	34.1	21.2	1.95	32.7	21.5	2.13	31.2	20.9	2.34	29.7	20.8	2.57	27.93	20.60	2.83	25.90	20.52	3.14
	80	72	37.6	16.6	2.01	35.9	17.0	2.20	34.2	16.5	2.40	32.4	16.4	2.63	30.52	16.26	2.91	28.33	16.29	3.25
	75	63	31.4	20.5	1.91	30.1	20.6	2.09	28.7	20.0	2.29	27.2	19.9	2.52	25.55	19.59	2.78	23.69	19.47	3.08

WSA2BD4M1SN36K with C7B(A,H)M03036(C,U)-B + TDR

O.D.T			65°F			75°F			85°F			95°F			105°F			115°F		
CFM	E.D.B.	E.W.B.	T.C.	S.C.	K.W.	T.C.	S.C.	K.W.	T.C.	S.C.	K.W.	T.C.	S.C.	K.W.	T.C.	S.C.	K.W.	T.C.	S.C.	K.W.
1050	80	62	36.7	27.9	2.26	35.4	28.4	2.49	33.7	28.5	2.75	31.9	28.0	3.03	29.73	29.16	3.39	27.72	27.20	3.80
	80	67	40.5	23.1	2.33	38.8	23.0	2.56	37.0	23.2	2.82	34.9	22.6	3.13	32.61	22.07	3.49	30.37	20.29	3.86
	80	72	44.7	18.1	2.43	42.9	18.0	2.66	40.9	18.3	2.95	38.7	17.8	3.25	36.53	17.54	3.58	34.14	17.93	3.95
	75	63	37.3	22.4	2.27	35.8	22.2	2.50	34.1	22.3	2.75	32.2	21.7	3.04	29.85	19.41	3.41	27.47	21.02	3.79
1250	80	62	38.2	31.7	2.37	36.7	32.2	2.60	35.0	31.5	2.85	33.1	31.1	3.14	31.26	30.20	3.54	29.43	29.18	3.91
	80	67	41.5	24.6	2.41	39.7	25.3	2.64	37.8	24.6	2.90	35.6	24.2	3.22	33.37	24.09	3.56	31.04	23.94	3.93
	80	72	45.8	19.0	2.51	43.8	19.9	2.76	41.7	19.2	3.04	39.5	19.0	3.33	37.22	19.13	3.66	34.70	19.19	4.03
	75	63	38.3	23.8	2.35	36.7	24.4	2.58	34.9	23.7	2.83	32.9	23.3	3.12	30.50	22.93	3.49	28.11	22.62	3.86
1450	80	62	39.4	34.9	2.47	37.8	35.1	2.70	36.5	34.0	2.96	34.6	32.9	3.29	32.70	31.59	3.65	30.74	30.61	4.02
	80	67	42.3	26.4	2.49	40.5	26.7	2.72	38.4	26.0	2.99	36.2	25.7	3.30	33.94	25.47	3.64	31.56	25.46	4.00
	80	72	46.6	20.4	2.59	44.5	20.8	2.84	42.3	20.1	3.11	40.1	20.2	3.40	37.63	20.06	3.73	35.01	20.24	4.10
	75	63	39.0	25.5	2.42	37.4	25.7	2.65	35.5	25.0	2.90	33.4	24.7	3.20	30.94	24.17	3.57	28.61	24.03	3.94

COOLING EXPANDED RATINGS WITH COIL (CONTINUED)

WSA2BD4M1SN42K with C7B(A,H)M03642(C,U)-B + TDR

O.D.T			65°F			75°F			85°F			95°F			105°F			115°F		
CFM	E.D.B.	E.W.B.	T.C.	S.C.	K.W.	T.C.	S.C.	K.W.	T.C.	S.C.	K.W.	T.C.	S.C.	K.W.	T.C.	S.C.	K.W.	T.C.	S.C.	K.W.
1150	80	62	41.5	31.9	2.54	39.8	31.6	2.76	38.0	31.7	3.01	35.9	31.0	3.32	33.53	32.32	3.68	31.21	30.07	4.05
	80	67	45.6	26.6	2.60	43.8	26.4	2.82	41.8	26.6	3.09	39.6	26.0	3.40	37.23	25.46	3.74	34.73	23.06	4.12
	80	72	50.5	20.7	2.69	48.5	20.6	2.92	46.3	21.0	3.20	43.9	20.5	3.49	41.43	20.20	3.83	38.72	20.66	4.21
	75	63	42.1	25.7	2.55	40.5	25.5	2.76	38.6	25.6	3.02	36.4	24.9	3.33	33.98	22.57	3.69	31.58	24.33	4.06
1300	80	62	42.5	34.0	2.61	40.8	34.6	2.83	38.9	33.7	3.08	36.7	33.1	3.40	34.39	32.65	3.75	32.16	31.88	4.13
	80	67	46.6	28.1	2.67	44.8	28.9	2.90	42.6	28.1	3.17	40.4	27.7	3.48	37.94	27.63	3.81	35.37	27.50	4.19
	80	72	51.5	21.7	2.77	49.3	22.7	3.00	47.1	22.0	3.27	44.6	21.8	3.57	41.87	21.91	3.90	39.12	21.96	4.28
	75	63	43.0	27.1	2.62	41.3	27.8	2.83	39.4	27.0	3.09	37.1	26.5	3.41	34.66	26.30	3.76	32.20	26.03	4.13
1450	80	62	43.3	36.4	2.68	41.6	36.5	2.90	39.6	35.6	3.15	37.4	35.0	3.48	35.23	34.04	3.82	33.20	33.06	4.20
	80	67	47.4	30.0	2.75	45.5	30.4	2.97	43.3	29.6	3.24	41.0	29.4	3.55	38.50	29.10	3.88	35.88	29.11	4.26
	80	72	52.2	23.2	2.84	49.9	23.7	3.08	47.5	23.0	3.33	45.0	23.0	3.64	42.30	22.79	3.97	39.57	22.99	4.35
	75	63	43.8	29.0	2.69	42.1	29.2	2.90	40.0	28.4	3.16	37.7	28.1	3.48	35.19	27.66	3.82	32.62	27.39	4.19

WSA2BD4M1SN48K with C7B(A,H)M03648(C,U)-C + TDR

O.D.T			65°F			75°F			85°F			95°F			105°F			115°F		
CFM	E.D.B.	E.W.B.	T.C.	S.C.	K.W.	T.C.	S.C.	K.W.	T.C.	S.C.	K.W.	T.C.	S.C.	K.W.	T.C.	S.C.	K.W.	T.C.	S.C.	K.W.
1400	80	62	48.9	37.3	3.13	46.7	36.9	3.45	44.4	36.9	3.78	42.0	36.1	4.16	39.31	37.74	4.58	36.53	35.07	5.05
	80	67	53.7	31.1	3.22	51.5	30.8	3.53	49.1	31.0	3.86	46.4	30.3	4.24	43.62	29.73	4.67	40.70	26.91	5.14
	80	72	59.2	24.2	3.33	56.7	24.1	3.63	54.2	24.5	3.98	51.4	23.9	4.36	48.38	23.51	4.79	45.11	24.01	5.26
	75	63	49.7	30.1	3.14	47.5	29.7	3.46	45.1	29.8	3.80	42.6	29.1	4.17	39.93	26.33	4.59	37.00	28.44	5.06
1600	80	62	50.1	39.9	3.22	47.8	40.5	3.54	45.5	39.4	3.88	43.0	38.7	4.25	40.34	38.20	4.68	37.62	37.30	5.15
	80	67	54.9	33.0	3.32	52.6	33.9	3.63	50.1	32.9	3.96	47.4	32.5	4.34	44.47	32.39	4.77	41.40	32.23	5.24
	80	72	60.4	25.4	3.43	57.9	26.6	3.74	55.1	25.7	4.09	52.2	25.5	4.46	48.95	25.56	4.88	45.75	25.62	5.37
	75	63	50.8	31.9	3.24	48.6	32.6	3.55	46.1	31.6	3.89	43.5	31.1	4.26	40.79	30.88	4.69	37.79	30.56	5.16
1800	80	62	51.0	42.7	3.32	48.7	42.8	3.64	46.4	41.6	3.97	43.9	41.0	4.34	41.29	39.89	4.77	38.85	38.69	5.26
	80	67	55.9	35.3	3.42	53.5	35.7	3.72	50.9	34.7	4.06	48.1	34.5	4.43	45.11	34.19	4.86	42.02	34.22	5.34
	80	72	61.3	27.2	3.53	58.5	27.8	3.83	55.7	26.9	4.18	52.7	26.9	4.55	49.62	26.67	4.98	46.33	26.91	5.47
	75	63	51.7	34.1	3.34	49.4	34.3	3.65	46.9	33.3	3.98	44.2	33.0	4.35	41.39	32.55	4.78	38.33	32.18	5.25

WSA2BD4M1SN60K with C7B(A,H)M060(C,U)-C + TDR

O.D.T			65°F			75°F			85°F			95°F			105°F			115°F		
CFM	E.D.B.	E.W.B.	T.C.	S.C.	K.W.	T.C.	S.C.	K.W.	T.C.	S.C.	K.W.	T.C.	S.C.	K.W.	T.C.	S.C.	K.W.	T.C.	S.C.	K.W.
1300	80	62	55.8	39.0	3.54	53.5	38.6	3.91	51.0	38.6	4.30	48.3	37.7	4.75	45.23	39.46	5.26	41.87	36.53	5.83
	80	67	61.9	33.0	3.64	59.4	32.7	4.00	56.7	32.9	4.41	53.8	32.2	4.87	50.74	31.49	5.39	47.49	28.03	5.97
	80	72	68.5	26.6	3.79	65.8	26.4	4.15	63.0	26.9	4.58	60.0	26.2	5.03	56.77	25.69	5.56	53.30	26.29	6.15
	75	62	55.7	33.3	3.54	53.4	32.8	3.90	50.9	32.9	4.30	48.2	32.0	4.75	45.10	28.87	5.25	41.76	31.13	5.83
1450	80	62	57.4	41.2	3.62	55.0	42.0	3.98	52.4	40.8	4.38	49.5	40.2	4.83	46.48	39.87	5.35	43.04	39.04	5.92
	80	67	63.4	34.6	3.73	60.8	35.6	4.09	58.1	34.6	4.50	55.2	34.1	4.96	51.99	33.98	5.48	48.54	33.80	6.06
	80	72	70.2	27.6	3.89	67.5	28.9	4.25	64.5	27.9	4.68	61.4	27.6	5.13	58.02	27.71	5.66	54.43	27.82	6.25
	75	62	57.2	34.9	3.62	54.8	35.7	3.98	52.2	34.6	4.38	49.4	33.9	4.83	46.33	33.62	5.35	42.91	33.18	5.91
1600	80	62	58.7	43.9	3.70	56.2	44.1	4.07	53.5	42.9	4.46	50.6	42.2	4.91	47.42	41.55	5.43	43.98	41.19	6.00
	80	67	64.8	36.8	3.82	62.2	37.2	4.18	59.3	36.1	4.58	56.3	35.9	5.05	52.99	35.51	5.57	49.49	35.56	6.15
	80	72	71.7	29.3	3.98	68.8	29.9	4.34	65.8	28.9	4.76	62.5	28.9	5.23	59.04	28.71	5.76	55.24	29.05	6.34
	75	62	58.6	37.0	3.70	56.1	37.3	4.06	53.3	36.1	4.46	50.4	35.7	4.91	47.36	35.20	5.43	43.80	34.93	5.99

COOLING EXPANDED RATINGS WITH AIR HANDLER

WSA2BD4M1SN18K with B6BMM024K-(A,B)

O.D.T			65°F			75°F			85°F			95°F			105°F			115°F		
CFM	E.D.B.	E.W.B.	T.C.	S.C.	K.W.	T.C.	S.C.	K.W.	T.C.	S.C.	K.W.	T.C.	S.C.	K.W.	T.C.	S.C.	K.W.	T.C.	S.C.	K.W.
400	80	62	17.3	12.5	1.08	16.6	12.5	1.20	15.9	12.6	1.32	15.1	12.3	1.46	14.16	12.96	1.62	13.16	12.05	1.79
	80	67	19.2	10.5	1.10	18.4	10.4	1.22	17.6	10.5	1.35	16.7	10.2	1.49	15.70	10.04	1.64	14.61	9.13	1.81
	80	72	21.3	8.4	1.13	20.5	8.3	1.25	19.6	8.5	1.38	18.6	8.3	1.52	17.57	8.10	1.68	16.44	8.27	1.86
	75	63	17.6	10.2	1.09	16.9	10.0	1.20	16.1	10.1	1.33	15.3	9.8	1.46	14.33	8.93	1.62	13.30	9.65	1.79
550	80	62	18.7	15.2	1.15	17.9	15.4	1.27	17.1	15.1	1.39	16.2	14.9	1.53	15.31	14.74	1.69	14.44	14.32	1.86
	80	67	20.5	12.2	1.17	19.6	12.6	1.29	18.7	12.2	1.42	17.7	12.1	1.56	16.63	12.03	1.71	15.49	11.95	1.89
	80	72	22.7	9.5	1.21	21.8	9.9	1.33	20.8	9.6	1.46	19.7	9.5	1.60	18.51	9.52	1.76	17.25	9.54	1.94
	75	63	18.8	11.8	1.15	18.0	12.1	1.27	17.2	11.7	1.39	16.2	11.5	1.53	15.22	11.46	1.69	14.18	11.54	1.86
700	80	62	19.7	17.7	1.22	19.0	17.6	1.34	18.2	17.0	1.47	17.4	16.5	1.61	16.49	15.93	1.76	15.49	15.43	1.94
	80	67	21.3	14.0	1.24	20.4	14.1	1.36	19.4	13.8	1.49	18.4	14.0	1.63	17.23	13.84	1.78	16.04	13.84	1.96
	80	72	23.5	10.7	1.28	22.5	10.9	1.40	21.4	10.6	1.53	20.1	10.6	1.67	18.88	10.50	1.83	17.58	10.55	2.00
	75	63	19.6	13.4	1.21	18.8	13.6	1.34	17.9	13.5	1.46	16.9	13.3	1.60	15.82	13.16	1.75	14.66	13.09	1.92

WSA2BD4M1SN24KA with B6BMM024K-(A,B)

O.D.T			65°F			75°F			85°F			95°F			105°F			115°F		
CFM	E.D.B.	E.W.B.	T.C.	S.C.	K.W.	T.C.	S.C.	K.W.	T.C.	S.C.	K.W.	T.C.	S.C.	K.W.	T.C.	S.C.	K.W.	T.C.	S.C.	K.W.
700	80	62	23.7	19.3	1.50	23.4	19.9	1.67	22.6	19.7	1.86	21.6	19.2	2.07	20.4	18.8	2.31	19.1	18.2	2.59
	80	67	23.4	14.6	1.49	25.1	16.5	1.68	24.6	16.4	1.87	23.5	16.1	2.08	22.2	15.5	2.33	20.9	15.0	2.60
	80	72	20.6	9.8	1.49	24.4	12.0	1.68	26.1	13.0	1.88	25.4	12.9	2.10	24.2	12.4	2.35	22.8	11.8	2.63
	75	62	23.8	16.9	1.50	23.4	17.0	1.68	22.5	16.7	1.87	21.5	16.2	2.07	20.3	15.7	2.31	19.1	15.1	2.58
	75	67	23.3	12.5	1.50	25.0	13.6	1.68	24.5	13.5	1.87	23.4	13.0	2.08	22.2	12.5	2.33	20.8	11.9	2.60
800	80	62	24.1	20.2	1.52	24.0	21.1	1.70	23.1	20.8	1.89	22.0	20.6	2.10	20.8	20.0	2.34	19.5	19.1	2.61
	80	67	23.4	14.7	1.52	25.6	17.2	1.71	25.1	17.4	1.89	23.9	17.0	2.11	22.6	16.4	2.35	21.2	15.9	2.63
	80	72	20.5	9.8	1.51	24.5	12.0	1.70	26.4	13.4	1.90	26.0	13.4	2.13	24.6	12.9	2.38	23.2	12.4	2.65
	75	62	24.3	17.6	1.52	23.9	17.9	1.70	23.0	17.5	1.89	21.9	17.1	2.10	20.7	16.5	2.34	19.4	16.0	2.61
	75	67	23.3	12.5	1.52	25.4	14.0	1.71	25.0	14.0	1.89	23.9	13.6	2.11	22.6	13.1	2.35	21.2	12.4	2.62
900	80	62	24.5	21.0	1.54	24.4	22.3	1.72	23.5	22.0	1.90	22.4	21.7	2.11	21.1	21.0	2.36	20.0	20.0	2.63
	80	67	23.5	14.9	1.53	26.0	17.8	1.72	25.6	18.2	1.91	24.3	17.9	2.13	23.0	17.3	2.37	21.5	16.9	2.64
	80	72	20.4	9.8	1.52	24.5	12.1	1.72	26.7	13.7	1.92	26.3	13.9	2.15	25.0	13.5	2.40	23.5	12.9	2.67
	75	62	24.6	18.2	1.54	24.4	18.8	1.72	23.4	18.5	1.90	22.3	18.0	2.11	21.0	17.4	2.36	19.7	16.9	2.63
	75	67	23.4	12.7	1.53	25.7	14.4	1.72	25.4	14.6	1.91	24.2	14.1	2.13	22.9	13.6	2.37	21.5	13.0	2.64

WSA2BD4M1SN30K with B6BMM030K-(A,B)

O.D.T			65°F			75°F			85°F			95°F			105°F			115°F		
CFM	E.D.B.	E.W.B.	T.C.	S.C.	K.W.	T.C.	S.C.	K.W.	T.C.	S.C.	K.W.	T.C.	S.C.	K.W.	T.C.	S.C.	K.W.	T.C.	S.C.	K.W.
750	80	62	28.4	20.8	1.79	27.4	20.6	1.97	26.3	20.8	2.17	25.2	21.0	2.41	23.85	22.25	2.68	22.38	20.87	2.99
	80	67	31.3	17.3	1.86	30.2	17.2	2.05	29.0	17.4	2.25	27.7	17.1	2.49	26.24	16.83	2.76	24.60	15.51	3.08
	80	72	34.5	13.7	1.95	33.3	13.6	2.14	32.0	13.9	2.35	30.6	13.6	2.59	28.99	13.43	2.88	27.16	13.74	3.22
	75	63	29.0	16.8	1.80	27.9	16.7	1.98	26.8	16.9	2.19	25.5	16.5	2.42	24.15	15.18	2.69	22.62	16.33	3.00
900	80	62	29.7	23.7	1.87	28.6	24.2	2.05	27.4	23.7	2.26	26.2	23.5	2.49	24.79	23.46	2.76	23.51	23.24	3.08
	80	67	32.5	18.8	1.94	31.3	19.4	2.13	30.0	18.9	2.33	28.6	18.8	2.57	27.05	18.79	2.85	25.28	18.74	3.17
	80	72	35.8	14.6	2.03	34.5	15.3	2.22	33.1	14.9	2.44	31.6	14.8	2.69	29.81	14.87	2.98	27.90	14.93	3.31
	75	63	30.0	18.2	1.88	28.9	18.8	2.06	27.7	18.3	2.26	26.4	18.1	2.50	24.93	18.02	2.77	23.30	17.93	3.07
1050	80	62	30.6	26.2	1.94	29.5	26.4	2.13	28.3	25.9	2.33	27.2	25.7	2.58	26.05	25.17	2.86	24.62	24.51	3.19
	80	67	33.4	20.6	2.02	32.1	20.8	2.20	30.7	20.4	2.41	29.3	20.3	2.65	27.65	20.20	2.92	25.78	20.25	3.25
	80	72	36.8	15.9	2.11	35.4	16.3	2.30	33.9	15.8	2.52	32.3	15.8	2.77	30.41	15.76	3.06	28.47	15.97	3.39
	75	63	30.9	19.9	1.95	29.7	20.1	2.13	28.4	19.6	2.34	27.0	19.5	2.57	25.50	19.33	2.84	23.79	19.33	3.15

WSA2BD4M1SN36K with B6BMM036K-B

O.D.T			65°F			75°F			85°F			95°F			105°F			115°F		
CFM	E.D.B.	E.W.B.	T.C.	S.C.	K.W.	T.C.	S.C.	K.W.	T.C.	S.C.	K.W.	T.C.	S.C.	K.W.	T.C.	S.C.	K.W.	T.C.	S.C.	K.W.
1000	80	62	35.4	26.9	2.25	34.2	26.7	2.47	32.7	26.8	2.72	31.1	26.3	3.01	29.31	27.64	3.35	27.16	25.61	3.78
	80	67	39.0	22.4	2.33	37.5	22.3	2.55	36.0	22.5	2.81	34.3	22.1	3.11	32.18	21.67	3.48	30.17	19.73	3.86
	80	72	43.0	17.5	2.43	41.5	17.5	2.67	39.8	17.9	2.94	37.8	17.5	3.25	35.83	17.22	3.59	33.63	17.65	3.97
	75	63	36.0	21.7	2.26	34.6	21.6	2.48	33.2	21.7	2.73	31.5	21.3	3.02	29.62	19.28	3.37	27.46	20.82	3.79
1150	80	62	36.4	28.8	2.32	35.0	29.4	2.55	33.5	28.7	2.80	31.9	28.3	3.09	30.02	27.97	3.45	28.00	27.42	3.86
	80	67	39.9	23.9	2.41	38.5	24.6	2.63	36.8	24.0	2.89	34.9	23.7	3.19	32.94	23.69	3.55	30.80	23.63	3.93
	80	72	44.0	18.5	2.51	42.4	19.4	2.75	40.5	18.8	3.02	38.6	18.6	3.32	36.43	18.77	3.67	34.16	18.88	4.06
	75	63	36.9	23.1	2.33	35.5	23.7	2.56	33.9	23.1	2.81	32.3	22.8	3.10	30.27	22.64	3.45	28.05	22.42	3.86
1300	80	62	37.1	30.9	2.39	35.8	31.1	2.62	34.3	30.4	2.87	32.6	30.0	3.16	30.72	29.32	3.53	28.80	28.68	3.93
	80	67	40.6	25.6	2.48	39.1	26.0	2.71	37.4	25.4	2.96	35.5	25.3	3.27	33.46	25.07	3.62	31.29	25.14	4.00
	80	72	44.7	19.8	2.59	43.0	20.3	2.82	41.0	19.7	3.10	39.1	19.7	3.40	36.93	19.63	3.74	34.66	19.88	4.14
	75	63	37.5	24.7	2.40	36.1	25.0	2.63	34.5	24.4	2.88	32.8	24.2	3.17	30.67	23.88	3.53	28.52	23.66	3.92

COOLING EXPANDED RATINGS WITH AIR HANDLER (CONTINUED)

WSA2BD4M1SN42K with B6BMM042K-B

O.D.T			65°F			75°F			85°F			95°F			105°F			115°F		
CFM	E.D.B.	E.W.B.	T.C.	S.C.	K.W.	T.C.	S.C.	K.W.	T.C.	S.C.	K.W.	T.C.	S.C.	K.W.	T.C.	S.C.	K.W.	T.C.	S.C.	K.W.
1200	80	62	40.5	31.7	2.61	39.1	31.5	2.82	37.6	31.7	3.06	35.8	31.1	3.33	33.79	32.47	3.67	31.65	30.42	4.05
	80	67	44.5	26.3	2.69	42.9	26.2	2.91	41.1	26.5	3.16	39.2	26.0	3.44	37.17	25.58	3.77	34.92	23.46	4.13
	80	72	49.2	20.4	2.79	47.3	20.4	3.02	45.4	20.8	3.28	43.3	20.4	3.57	40.95	20.17	3.90	38.44	20.69	4.27
	75	63	41.1	25.4	2.63	39.6	25.3	2.83	38.0	25.5	3.07	36.2	25.0	3.34	34.19	22.87	3.68	31.92	24.64	4.05
1350	80	62	41.4	33.6	2.69	39.9	34.3	2.89	38.3	33.5	3.14	36.5	33.1	3.41	34.50	32.71	3.75	32.44	32.17	4.13
	80	67	45.3	27.7	2.77	43.6	28.6	2.99	41.8	27.9	3.24	39.8	27.6	3.52	37.72	27.64	3.84	35.45	27.61	4.21
	80	72	50.0	21.4	2.87	48.0	22.4	3.10	46.0	21.8	3.36	43.7	21.6	3.65	41.34	21.77	3.98	38.89	21.89	4.35
	75	63	41.9	26.8	2.70	40.3	27.5	2.91	38.7	26.8	3.15	36.8	26.5	3.42	34.72	26.39	3.76	32.45	26.24	4.13
1500	80	62	42.2	35.8	2.76	40.6	36.0	2.98	38.9	35.1	3.22	37.2	34.7	3.50	35.18	33.99	3.83	33.33	33.19	4.21
	80	67	46.0	29.6	2.84	44.3	30.0	3.06	42.4	29.3	3.32	40.4	29.2	3.60	38.21	29.00	3.92	35.86	29.12	4.29
	80	72	50.5	22.8	2.94	48.5	23.3	3.17	46.4	22.6	3.44	44.2	22.7	3.73	41.80	22.59	4.06	39.23	22.86	4.43
	75	63	42.5	28.5	2.77	40.9	28.8	2.99	39.2	28.1	3.22	37.3	28.0	3.50	35.15	27.66	3.83	32.85	27.49	4.20

WSA2BD4M1SN48K with B6BMM048K-(B,C)

O.D.T			65°F			75°F			85°F			95°F			105°F			115°F		
CFM	E.D.B.	E.W.B.	T.C.	S.C.	K.W.	T.C.	S.C.	K.W.	T.C.	S.C.	K.W.	T.C.	S.C.	K.W.	T.C.	S.C.	K.W.	T.C.	S.C.	K.W.
1200	80	62	47.9	35.0	2.99	45.8	34.6	3.31	43.3	34.4	3.65	40.8	33.6	4.02	37.96	34.66	4.43	36.36	33.20	4.66
	80	67	52.9	29.2	3.07	50.6	28.9	3.39	48.2	29.1	3.72	45.7	28.4	4.09	42.78	27.79	4.52	39.79	25.59	4.98
	80	72	58.4	23.2	3.16	56.1	23.0	3.47	53.5	23.4	3.81	50.7	22.8	4.19	47.77	22.29	4.61	44.56	22.74	5.08
	75	63	48.8	28.4	3.00	46.6	28.0	3.32	44.2	28.0	3.67	41.7	27.3	4.03	38.86	24.30	4.45	35.62	26.38	4.91
1350	80	62	49.1	37.0	3.06	46.9	37.6	3.38	44.4	36.5	3.73	41.8	35.9	4.09	39.01	35.44	4.51	37.45	35.61	4.74
	80	67	54.2	30.8	3.15	51.8	31.7	3.46	49.4	30.7	3.80	46.7	30.3	4.17	43.74	30.13	4.59	40.61	29.94	5.06
	80	72	59.8	24.1	3.24	57.3	25.3	3.55	54.6	24.4	3.89	51.8	24.1	4.27	48.71	24.12	4.69	45.46	24.15	5.17
	75	63	50.0	29.9	3.08	47.7	30.5	3.40	45.3	29.6	3.74	42.7	29.0	4.11	39.85	28.71	4.53	36.52	28.24	4.98
1500	80	62	50.1	39.5	3.14	47.8	39.6	3.46	45.3	38.5	3.80	42.7	38.0	4.16	39.88	37.30	4.58	38.40	37.59	4.81
	80	67	55.3	32.9	3.22	52.9	33.2	3.53	50.3	32.3	3.87	47.5	32.0	4.24	44.44	31.65	4.67	41.21	31.62	5.13
	80	72	60.9	25.7	3.32	58.4	26.2	3.63	55.6	25.3	3.97	52.6	25.3	4.35	49.46	25.08	4.77	46.09	25.32	5.25
	75	63	51.0	31.8	3.16	48.6	32.0	3.48	46.2	31.0	3.81	43.5	30.6	4.18	40.53	30.13	4.60	37.24	29.85	5.06

WSA2BD4M1SN60K with B6BMM060K-C

O.D.T			65°F			75°F			85°F			95°F			105°F			115°F		
CFM	E.D.B.	E.W.B.	T.C.	S.C.	K.W.	T.C.	S.C.	K.W.	T.C.	S.C.	K.W.	T.C.	S.C.	K.W.	T.C.	S.C.	K.W.	T.C.	S.C.	K.W.
1800	80	62	60.2	45.0	3.78	57.6	44.4	4.15	54.8	44.4	4.56	51.9	43.3	5.02	48.66	44.96	5.53	45.11	41.68	6.11
	80	67	65.5	37.5	3.89	62.7	37.0	4.25	59.9	37.2	4.66	56.8	36.3	5.12	53.54	35.45	5.64	50.03	32.06	6.22
	80	72	71.5	30.0	4.02	67.8	29.7	4.36	64.6	30.1	4.77	61.4	29.3	5.23	57.92	28.59	5.75	54.16	28.97	6.33
	75	63	60.5	36.3	3.78	57.8	35.7	4.17	55.1	35.8	4.57	52.1	34.7	5.02	48.80	31.18	5.54	45.15	33.49	6.11
1950	80	62	61.1	46.7	3.85	58.4	47.4	4.23	55.7	45.8	4.64	52.7	45.0	5.09	49.37	44.36	5.61	45.85	43.57	6.18
	80	67	66.4	38.6	3.96	63.6	39.6	4.33	60.7	38.4	4.74	57.6	37.7	5.20	54.22	37.47	5.71	50.60	37.08	6.29
	80	72	71.7	30.7	4.08	68.7	31.9	4.44	65.6	30.8	4.85	62.2	30.3	5.31	58.62	30.21	5.83	54.80	30.06	6.41
	75	63	61.4	37.4	3.86	58.7	38.1	4.24	55.9	36.8	4.64	52.8	36.1	5.09	49.47	35.58	5.61	45.82	34.96	6.18
2100	80	62	61.9	49.0	3.92	59.1	48.6	4.30	56.3	47.3	4.70	53.3	46.7	5.16	50.00	45.80	5.68	46.51	45.12	6.25
	80	67	67.2	40.4	4.04	64.4	40.7	4.40	61.4	39.5	4.81	58.2	39.1	5.27	54.82	38.54	5.79	51.15	38.36	6.36
	80	72	72.5	32.0	4.15	69.5	32.6	4.52	66.3	31.4	4.93	62.9	31.2	5.39	59.21	30.81	5.90	55.32	30.87	6.48
	75	63	62.2	39.0	3.93	59.4	39.2	4.30	56.5	37.9	4.71	53.4	37.3	5.16	50.05	36.60	5.68	46.36	36.12	6.25

COOLING EXPANDED RATINGS WITH AIR HANDLER (CONTINUED)

WSA2BD4M1SN18K with B6EMMX24K-A

O.D.T			65°F			75°F			85°F			95°F			105°F			115°F		
CFM	E.D.B.	E.W.B.	T.C.	S.C.	K.W.	T.C.	S.C.	K.W.	T.C.	S.C.	K.W.	T.C.	S.C.	K.W.	T.C.	S.C.	K.W.	T.C.	S.C.	K.W.
525	80	62	18.3	14.6	0.99	17.7	14.5	1.13	16.9	14.6	1.27	16.2	14.4	1.44	15.35	15.03	1.62	14.46	14.16	1.85
	80	67	19.9	11.8	0.99	19.2	11.7	1.13	18.3	11.8	1.29	17.5	11.6	1.45	16.50	11.38	1.64	15.48	10.74	1.86
	80	72	22.0	9.1	1.00	21.2	9.1	1.15	20.2	9.2	1.30	19.2	9.0	1.48	18.09	8.90	1.68	16.98	9.14	1.88
	75	62	18.1	11.9	0.99	17.5	11.8	1.13	16.7	11.9	1.27	15.9	11.6	1.44	15.09	10.75	1.62	14.18	11.77	1.83
600	80	62	18.9	15.8	1.00	18.2	16.1	1.14	17.4	15.8	1.29	16.7	15.6	1.45	15.94	15.40	1.64	15.06	14.93	1.87
	80	67	20.4	12.5	1.00	19.6	12.9	1.15	18.8	12.6	1.30	17.9	12.4	1.47	16.80	12.40	1.67	15.78	12.39	1.87
	80	72	22.5	9.6	1.01	21.6	10.1	1.16	20.6	9.8	1.32	19.4	9.6	1.50	18.25	9.73	1.69	17.11	9.77	1.89
	75	62	18.6	12.7	1.00	17.9	13.0	1.14	17.1	12.7	1.29	16.3	12.8	1.45	15.44	12.78	1.63	14.43	12.70	1.86
675	80	62	19.4	17.1	1.01	18.6	17.2	1.15	18.0	16.7	1.30	17.3	16.4	1.47	16.44	15.88	1.66	15.53	15.47	1.88
	80	67	20.8	13.5	1.01	20.0	13.6	1.16	19.1	13.3	1.31	18.2	13.3	1.48	17.09	13.46	1.69	16.06	13.53	1.89
	80	72	22.9	10.3	1.02	21.9	10.6	1.17	20.8	10.3	1.33	19.6	10.2	1.52	18.50	10.16	1.70	17.37	10.27	1.91
	75	62	19.0	13.6	1.01	18.3	14.1	1.15	17.5	13.8	1.30	16.6	13.7	1.46	15.71	13.58	1.65	14.68	13.57	1.87

WSA2BD4M1SN24KA with B6EMMX24K-A

O.D.T			65°F			75°F			85°F			95°F			105°F			115°F		
CFM	E.D.B.	E.W.B.	T.C.	S.C.	K.W.	T.C.	S.C.	K.W.	T.C.	S.C.	K.W.	T.C.	S.C.	K.W.	T.C.	S.C.	K.W.	T.C.	S.C.	K.W.
700	80	62	24.1	20.5	1.36	23.6	20.4	1.53	22.8	20.0	1.72	22.0	19.6	1.93	21.0	19.1	2.19	19.8	18.5	2.49
	80	67	26.3	17.5	1.36	25.5	17.1	1.53	24.7	16.8	1.72	23.8	16.4	1.94	22.8	15.9	2.20	21.6	15.4	2.50
	80	72	28.4	14.3	1.37	27.4	13.9	1.54	26.6	13.5	1.73	25.6	13.1	1.96	24.6	12.8	2.22	23.3	12.2	2.54
	75	62	24.1	17.6	1.36	23.5	17.3	1.53	22.7	17.0	1.72	21.9	16.5	1.93	20.9	16.0	2.19	19.7	15.3	2.48
	75	67	26.1	14.4	1.36	25.4	14.1	1.53	24.5	13.7	1.72	23.6	13.3	1.94	22.6	12.8	2.20	21.3	12.2	2.50
800	80	62	24.6	21.7	1.40	24.0	21.6	1.57	23.2	21.1	1.76	22.3	20.8	1.98	21.3	20.2	2.24	20.1	19.6	2.53
	80	67	26.7	18.3	1.40	26.0	18.0	1.58	25.2	17.6	1.77	24.2	17.2	1.99	23.2	16.7	2.25	21.9	16.2	2.55
	80	72	29.0	14.8	1.41	27.9	14.3	1.58	27.0	14.0	1.78	26.0	13.6	2.00	24.9	13.1	2.27	23.5	12.5	2.58
	75	62	24.6	18.5	1.40	23.9	18.1	1.57	23.1	17.8	1.76	22.3	17.4	1.98	21.2	16.8	2.23	20.0	16.2	2.52
	75	67	26.7	15.0	1.41	25.8	14.6	1.58	25.0	14.2	1.77	24.0	13.8	1.99	22.8	13.3	2.24	21.5	12.6	2.54
900	80	62	25.2	23.0	1.45	24.3	22.7	1.62	23.5	22.3	1.81	22.6	21.8	2.03	21.6	21.2	2.29	20.4	20.4	2.58
	80	67	27.2	19.1	1.46	26.3	18.7	1.63	25.4	18.4	1.82	24.5	18.0	2.04	23.4	17.5	2.30	22.1	16.9	2.60
	80	72	29.3	15.2	1.46	28.1	14.7	1.64	27.2	14.3	1.83	26.2	13.9	2.06	25.1	13.4	2.32	23.7	12.8	2.64
	75	62	25.1	19.4	1.45	24.2	18.9	1.62	23.4	18.5	1.81	22.5	18.1	2.03	21.4	17.5	2.28	20.2	16.8	2.58
	75	67	27.2	15.4	1.46	26.2	15.1	1.63	25.3	14.7	1.82	24.3	14.2	2.04	23.0	13.6	2.30	21.6	12.9	2.59

WSA2BD4M1SN30K with B6EMMX30K-A

O.D.T			65°F			75°F			85°F			95°F			105°F			115°F		
CFM	E.D.B.	E.W.B.	T.C.	S.C.	K.W.	T.C.	S.C.	K.W.	T.C.	S.C.	K.W.	T.C.	S.C.	K.W.	T.C.	S.C.	K.W.	T.C.	S.C.	K.W.
875	80	62	30.0	24.1	1.66	28.9	23.9	1.86	27.6	23.9	2.07	26.3	23.5	2.32	24.87	24.33	2.60	23.37	22.86	2.91
	80	67	32.6	19.8	1.68	31.3	19.6	1.88	29.9	19.8	2.10	28.4	19.5	2.34	26.82	19.13	2.62	24.92	17.99	2.97
	80	72	35.8	15.2	1.71	34.3	15.1	1.91	32.7	15.4	2.13	31.0	15.1	2.38	28.96	14.81	2.68	26.69	14.99	3.04
	75	62	29.8	20.1	1.66	28.6	19.9	1.86	27.4	20.0	2.07	26.0	19.6	2.31	24.57	17.94	2.59	22.96	19.27	2.91
1000	80	62	30.7	25.8	1.70	29.5	26.2	1.90	28.3	25.6	2.11	26.9	25.1	2.35	25.53	24.67	2.63	24.08	23.88	2.96
	80	67	33.3	21.1	1.71	31.9	21.7	1.91	30.4	21.1	2.13	28.9	20.9	2.37	27.25	20.81	2.65	25.21	20.62	3.01
	80	72	36.4	16.1	1.74	34.8	16.8	1.94	33.0	16.3	2.16	31.3	16.1	2.41	29.23	16.06	2.72	27.06	15.98	3.07
	75	62	30.4	21.3	1.69	29.2	21.8	1.89	27.9	21.3	2.10	26.5	21.0	2.35	25.00	20.88	2.62	23.34	20.71	2.94
1125	80	62	31.4	27.7	1.73	30.1	27.7	1.92	28.9	26.8	2.14	27.6	26.2	2.39	26.24	25.36	2.67	24.61	24.51	3.02
	80	67	33.8	22.7	1.75	32.4	23.0	1.95	30.9	22.3	2.16	29.3	22.2	2.41	27.58	22.02	2.69	25.48	21.91	3.05
	80	72	36.7	17.3	1.77	35.0	17.6	1.98	33.4	17.0	2.20	31.7	17.0	2.44	29.50	16.78	2.77	27.34	16.83	3.10
	75	62	31.0	22.9	1.72	29.7	23.1	1.92	28.3	22.5	2.14	26.9	22.3	2.38	25.34	22.07	2.66	23.63	21.95	2.97

WSA2BD4M1SN36K with B6EMMX36K-B

O.D.T			65°F			75°F			85°F			95°F			105°F			115°F		
CFM	E.D.B.	E.W.B.	T.C.	S.C.	K.W.	T.C.	S.C.	K.W.	T.C.	S.C.	K.W.	T.C.	S.C.	K.W.	T.C.	S.C.	K.W.	T.C.	S.C.	K.W.
1050	80	62	37.6	29.3	2.06	36.3	29.1	2.30	34.8	29.2	2.57	33.2	28.7	2.87	31.26	29.90	3.25	29.37	28.09	3.67
	80	67	40.9	24.2	2.09	39.3	24.0	2.33	37.7	24.3	2.60	35.8	23.7	2.94	33.81	23.32	3.31	31.79	21.79	3.69
	80	72	44.9	18.8	2.13	43.1	18.7	2.38	41.1	19.1	2.68	38.8	18.7	3.00	36.48	18.38	3.34	34.41	18.79	3.73
	75	62	37.4	24.5	2.06	36.0	24.3	2.30	34.5	24.5	2.56	32.9	24.0	2.86	30.96	21.97	3.23	28.95	23.49	3.66
1200	80	62	38.6	31.4	2.10	37.2	32.0	2.34	35.7	31.2	2.60	34.0	30.8	2.91	32.03	30.43	3.30	30.16	29.90	3.70
	80	67	41.8	25.7	2.12	40.2	26.5	2.37	38.5	25.8	2.65	36.4	25.4	2.99	34.42	25.39	3.34	32.40	25.36	3.73
	80	72	45.5	19.8	2.16	43.4	20.7	2.42	41.3	20.0	2.72	39.3	19.8	3.04	37.20	19.88	3.37	35.00	19.94	3.76
	75	62	38.2	26.1	2.09	36.8	26.7	2.34	35.2	26.0	2.60	33.5	25.6	2.90	31.49	25.40	3.28	29.51	25.22	3.70
1350	80	62	39.4	33.7	2.13	38.0	33.8	2.38	36.4	33.0	2.64	34.6	32.5	2.97	32.72	31.62	3.35	31.05	30.92	3.74
	80	67	42.5	27.6	2.16	40.9	27.9	2.41	39.1	27.2	2.69	36.9	27.0	3.04	34.92	26.82	3.38	32.83	26.81	3.76
	80	72	45.9	21.2	2.19	44.0	21.5	2.47	41.8	20.8	2.77	39.8	20.8	3.07	37.71	20.70	3.41	35.45	20.90	3.80
	75	62	38.9	28.0	2.13	37.4	28.1	2.37	35.8	27.4	2.64	34.1	27.2	2.94	31.95	26.80	3.33	29.97	26.72	3.73

COOLING EXPANDED RATINGS WITH AIR HANDLER (CONTINUED)

WSA2BD4M1SN42K with B6EMMX42K-B

CFM	O.D.T		65°F			75°F			85°F			95°F			105°F			115°F		
	E.D.B.	E.W.B.	T.C.	S.C.	K.W.	T.C.	S.C.	K.W.	T.C.	S.C.	K.W.	T.C.	S.C.	K.W.	T.C.	S.C.	K.W.	T.C.	S.C.	K.W.
1225	80	62	42.4	32.4	2.33	40.9	32.1	2.56	39.2	32.3	2.83	37.2	31.6	3.16	35.26	33.20	3.53	33.24	31.30	3.92
	80	67	46.4	26.7	2.34	44.7	26.6	2.58	42.7	26.8	2.88	40.6	26.3	3.20	38.44	25.93	3.56	36.19	24.17	3.95
	80	72	50.8	20.7	2.37	48.7	20.6	2.63	46.6	21.0	2.92	44.4	20.6	3.23	42.02	20.30	3.59	39.54	20.85	3.98
	75	62	42.3	27.1	2.33	40.8	26.9	2.56	39.1	27.2	2.83	37.1	26.6	3.16	35.09	24.59	3.53	33.03	26.38	3.92
1400	80	62	43.5	34.5	2.36	41.9	35.2	2.60	40.1	34.4	2.87	38.0	33.9	3.21	35.99	33.71	3.57	33.97	33.33	3.97
	80	67	47.5	28.4	2.38	45.6	29.2	2.63	43.5	28.5	2.93	41.4	28.2	3.24	39.17	28.24	3.60	36.80	28.27	3.99
	80	72	51.8	21.7	2.41	49.6	22.7	2.67	47.5	22.1	2.95	45.1	21.9	3.27	42.67	22.08	3.63	40.08	22.25	4.02
	75	62	43.3	28.8	2.36	41.7	29.6	2.60	39.9	28.8	2.87	37.9	28.4	3.21	35.75	28.37	3.57	33.62	28.31	3.96
1575	80	62	44.3	37.0	2.40	42.7	37.2	2.64	40.7	36.3	2.92	38.8	35.9	3.26	36.62	35.32	3.62	34.80	34.65	4.01
	80	67	48.3	30.4	2.42	46.3	30.8	2.67	44.2	30.0	2.97	42.0	30.0	3.28	39.70	29.79	3.64	37.31	29.99	4.03
	80	72	52.6	23.2	2.45	50.4	23.8	2.71	48.1	23.1	2.99	45.7	23.1	3.31	43.19	23.06	3.67	40.57	23.38	4.06
	75	62	44.1	30.8	2.40	42.4	31.1	2.64	40.5	30.4	2.92	38.4	30.2	3.26	36.28	29.94	3.61	34.08	29.80	4.00

WSA2BD4M1SN48K with B6EMMX48K-C

CFM	O.D.T		65°F			75°F			85°F			95°F			105°F			115°F		
	E.D.B.	E.W.B.	T.C.	S.C.	K.W.	T.C.	S.C.	K.W.	T.C.	S.C.	K.W.	T.C.	S.C.	K.W.	T.C.	S.C.	K.W.	T.C.	S.C.	K.W.
1400	80	62	49.5	37.8	2.87	47.6	37.4	3.21	45.4	37.4	3.57	43.2	36.7	3.96	40.93	38.49	4.41	38.51	36.22	4.90
	80	67	53.8	31.1	2.91	51.5	30.8	3.25	49.3	31.1	3.60	46.9	30.5	4.00	44.44	30.04	4.45	41.80	28.03	4.94
	80	72	58.9	24.2	2.93	56.5	24.1	3.28	53.9	24.5	3.64	51.2	24.0	4.04	48.37	23.69	4.48	45.22	24.29	4.98
	75	62	49.3	31.6	2.87	47.3	31.3	3.21	45.2	31.5	3.57	43.0	30.8	3.96	40.72	28.44	4.40	38.27	30.50	4.90
1600	80	62	50.6	40.1	2.93	48.6	40.9	3.26	46.4	39.9	3.62	44.2	39.4	4.01	41.78	39.08	4.46	39.36	38.62	4.95
	80	67	55.0	33.0	2.96	52.7	33.9	3.30	50.3	33.0	3.65	47.9	32.6	4.05	45.25	32.64	4.50	42.52	32.62	4.99
	80	72	59.9	25.4	2.99	57.4	26.6	3.33	54.6	25.8	3.69	51.8	25.5	4.09	48.96	25.67	4.53	46.01	25.79	5.03
	75	62	50.4	33.5	2.93	48.4	34.3	3.26	46.1	33.4	3.62	43.9	32.9	4.01	41.49	32.82	4.46	38.95	32.68	4.95
1800	80	62	51.6	43.0	2.98	49.5	43.2	3.32	47.2	42.1	3.67	44.9	41.7	4.06	42.63	40.85	4.51	40.30	40.13	5.01
	80	67	55.9	35.3	3.01	53.6	35.7	3.35	51.1	34.8	3.70	48.6	34.7	4.10	45.89	34.41	4.55	43.14	34.58	5.05
	80	72	60.5	27.2	3.03	58.0	27.7	3.37	55.3	26.9	3.75	52.5	26.9	4.14	49.60	26.72	4.58	46.58	27.03	5.08
	75	62	51.4	35.8	2.98	49.1	36.1	3.32	46.9	35.2	3.67	44.6	34.9	4.06	42.07	34.60	4.51	39.45	34.40	5.00

WSA2BD4M1SN60K with B6EMMX60K-C

CFM	O.D.T		65°F			75°F			85°F			95°F			105°F			115°F		
	E.D.B.	E.W.B.	T.C.	S.C.	K.W.	T.C.	S.C.	K.W.	T.C.	S.C.	K.W.	T.C.	S.C.	K.W.	T.C.	S.C.	K.W.	T.C.	S.C.	K.W.
1600	80	62	60.0	44.8	3.55	57.6	44.4	3.97	55.3	44.7	4.42	52.8	43.7	4.92	50.17	45.92	5.49	47.40	43.39	6.15
	80	67	65.1	37.1	3.64	62.5	36.8	4.03	60.0	37.2	4.48	57.3	36.5	4.99	54.43	35.97	5.57	51.42	33.66	6.21
	80	72	71.4	28.9	3.71	68.7	28.8	4.12	65.8	29.4	4.57	62.7	28.9	5.07	59.51	28.48	5.65	56.09	29.30	6.29
	75	62	59.7	37.7	3.55	57.3	37.3	3.97	55.0	37.6	4.41	52.5	36.8	4.92	49.91	34.20	5.49	47.11	36.60	6.14
1750	80	62	61.0	46.8	3.60	58.6	47.8	4.02	56.1	46.4	4.46	53.6	45.9	4.97	50.89	45.83	5.54	48.05	45.63	6.19
	80	67	66.1	38.5	3.68	63.5	39.7	4.08	60.9	38.7	4.53	58.1	38.3	5.03	55.18	38.35	5.61	52.08	38.40	6.26
	80	72	72.4	29.9	3.75	69.6	31.3	4.17	66.5	30.4	4.62	63.3	30.2	5.12	59.97	30.46	5.69	56.33	30.75	6.33
	75	62	60.7	39.2	3.60	58.3	40.1	4.01	55.9	39.1	4.46	53.3	38.6	4.97	50.60	38.54	5.54	47.71	38.46	6.19
1900	80	62	61.8	49.1	3.65	59.4	49.4	4.06	56.9	48.3	4.51	54.3	48.1	5.02	51.54	47.61	5.59	48.68	47.50	6.24
	80	67	67.0	40.6	3.72	64.4	41.1	4.13	61.7	40.1	4.58	58.8	40.0	5.08	55.80	39.75	5.66	52.62	40.02	6.30
	80	72	73.2	31.5	3.80	70.2	32.3	4.21	67.1	31.3	4.66	63.7	31.5	5.16	60.26	31.37	5.73	56.81	31.82	6.37
	75	62	61.5	41.2	3.64	59.1	41.5	4.06	56.6	40.5	4.50	54.0	40.3	5.01	51.17	39.96	5.58	48.19	40.06	6.23



GENERAL TERMS OF LIMITED WARRANTY

Nortek Global HVAC, LLC will furnish a replacement for any part of this product which fails in normal use and service within the terms and conditions of the warranty.

For complete details of the Limited Warranty, including applicable terms and conditions, see your local installer or contact the Nortek Global HVAC, LLC warranty department for a copy.

Before purchasing this appliance, read important energy cost and efficiency information available from your retailer. Specifications and illustrations subject to change without notice and without incurring obligations. Printed in U.S.A (07/2020)