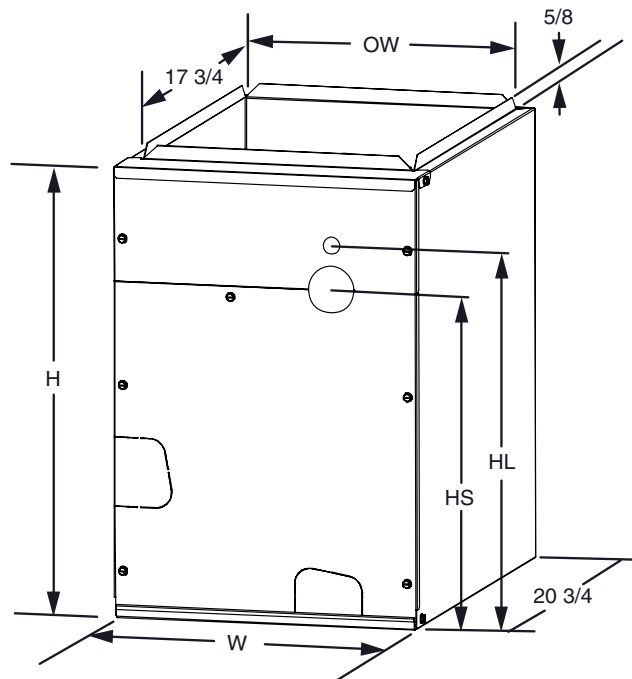
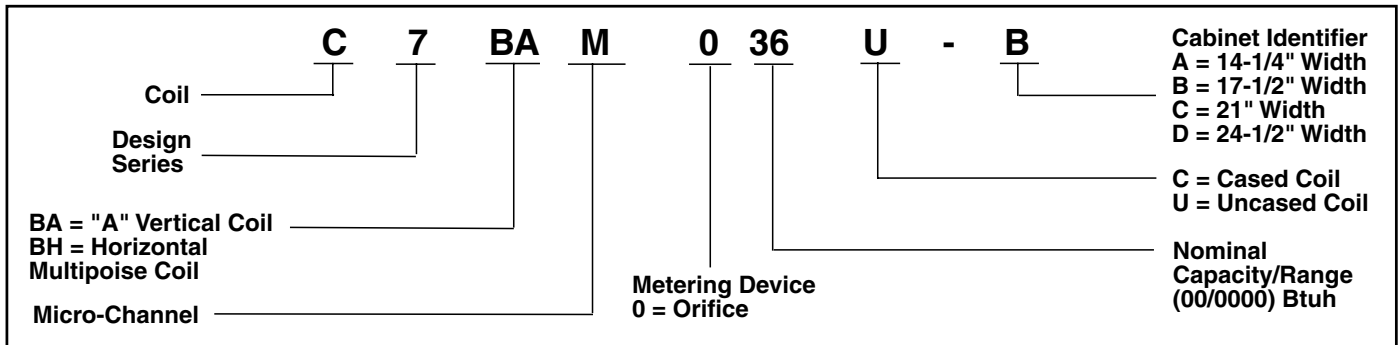


TECHNICAL SPECIFICATIONS



C7 Indoor Coils with Orifice - Models C7BAM0*U-*, C7BAM0*C-*, C7BHM0*U-*

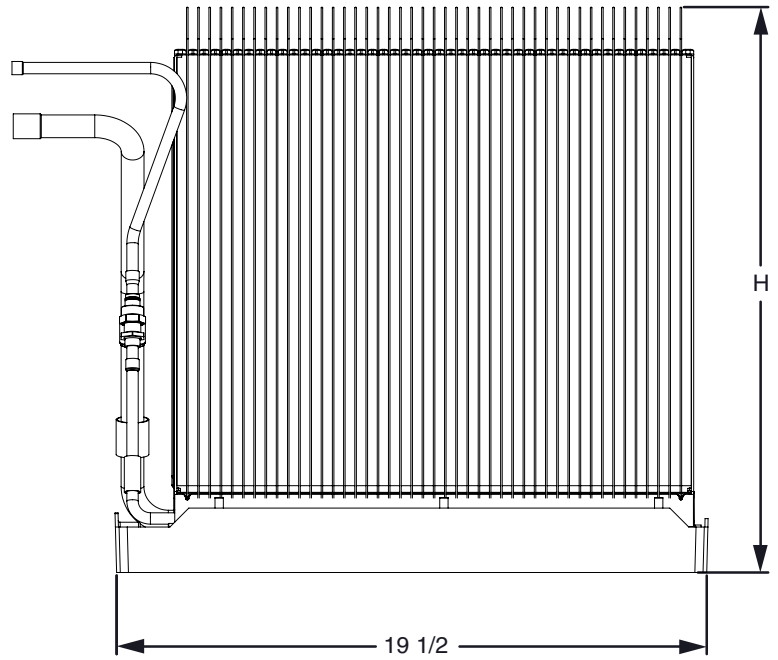
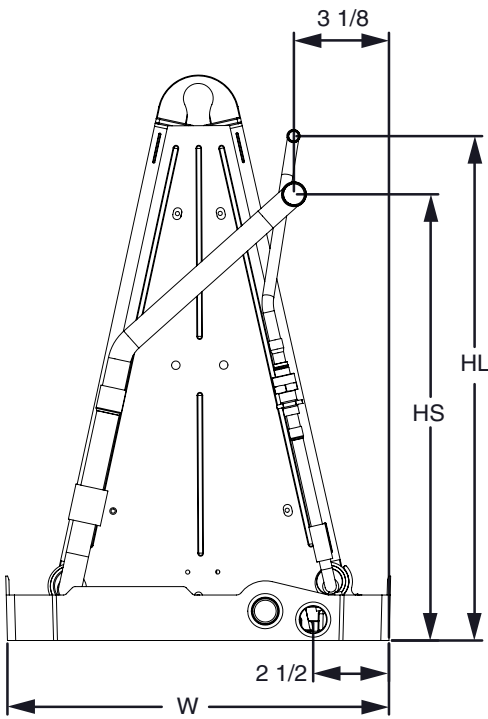
MODEL IDENTIFICATION CODE



Cased Coil Wrapper

C7 CASED COIL WRAPPERS

| SKU | Cabinet Identifier | Overall Width | Overall Height | Liquid Line Height | Suction Line Height | Opening Width |
|--------|--------------------|---------------|----------------|--------------------|---------------------|---------------|
| | | W | H | HL | HS | OW |
| 920256 | A | 14 1/4" | 20 3/4" | 17 1/2" | 15 1/2" | 12 7/8" |
| 920258 | B | 17 1/2" | 20 3/4" | 17 1/2" | 15 1/2" | 16 1/8" |
| 920259 | B | 17 1/2" | 26 3/4" | 23 1/2" | 21 1/2" | 16 1/8" |
| 920260 | C | 21" | 26 3/4" | 23 1/2" | 21 1/2" | 19 5/8" |
| 920261 | C | 21" | 30 1/4" | 27" | 25" | 19 5/8" |
| 920262 | D | 24 1/2" | 30 1/4" | 27" | 25" | 23 1/8" |



Uncased Coil

C7 UNCASSED COIL DATA

| C7 UNCASSED | 1824-A | 3036-A | 1824-B | 3036-B | 3642-B | 30-C | 3648-C | 48-C | 60-C | 42-D | 48-D | 60-D |
|---------------------------------------|--------|--------|--------|--------|--------|--------|--------|--------|--------|--------|--------|--------|
| Face Area (ft ²) | 3.43 | 3.43 | 3.43 | 3.43 | 4.87 | 3.43 | 4.87 | 5.82 | 5.82 | 4.87 | 5.82 | 5.82 |
| Fins per inch | 20 | 18 | 20 | 20 | 20 | 20 | 20 | 20 | 20 | 20 | 20 | 20 |
| W - Width (in.) | 12-3/4 | 12-3/4 | 16 | 16 | 16 | 19-1/2 | 19-1/2 | 19-1/2 | 19-1/2 | 23 | 23 | 23 |
| H - Height (in.) | 18-1/2 | 18-1/2 | 18 | 18 | 25 | 18 | 24-1/2 | 28-1/2 | 28-1/2 | 23-3/4 | 27-3/4 | 27-3/4 |
| HL - Height of Liquid Line (in.) | 17-1/2 | 17-1/2 | 17-1/2 | 17-1/2 | 23-1/2 | 23-1/2 | 23-1/2 | 27 | 27 | 27 | 27 | 27 |
| HS - Height of Suction Line (in.) | 15-1/2 | 15-1/2 | 15-1/2 | 15-1/2 | 21-1/2 | 21-1/2 | 21-1/2 | 25 | 25 | 25 | 25 | 25 |
| Connection - Liquid Line | 3/8 | 3/8 | 3/8 | 3/8 | 3/8 | 3/8 | 3/8 | 3/8 | 3/8 | 3/8 | 3/8 | 3/8 |
| Connection - Suction Line | 3/4 | 3/4 | 3/4 | 3/4 | 7/8 | 3/4 | 7/8 | 7/8 | 7/8 | 7/8 | 7/8 | 7/8 |
| Tube Kit for TXV | 921824 | 921824 | 921825 | 921825 | 921826 | 921827 | 921828 | 921829 | 921829 | 921830 | 921831 | 921831 |
| Metering Orifice Size (in.) | 0.048 | 0.061 | 0.055 | 0.067 | 0.071 | 0.061 | 0.067 | 0.077 | 0.083 | 0.071 | 0.077 | 0.083 |
| Pressure Drop at nom airflow (in. wc) | 0.17 | 0.27 | 0.15 | 0.27 | 0.27 | 0.26 | 0.29 | 0.31 | 0.30 | 0.30 | 0.31 | 0.30 |

C7 CASED COIL DATA

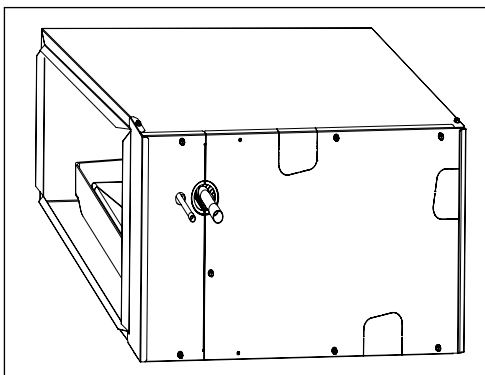
| C7 CASED | 1824-A | 3036-A | 1824-B | 3036-B | 3642-B | 30-C | 3648-C | 48-C | 60-C | 42-D | 48-D | 60-D |
|---------------------------------------|--------|--------|--------|--------|--------|--------|--------|--------|--------|--------|--------|--------|
| Face Area (ft ²) | 3.43 | 3.43 | 3.43 | 3.43 | 4.87 | 3.43 | 4.87 | 5.82 | 5.82 | 4.87 | 5.82 | 5.82 |
| Fins per inch | 20 | 18 | 20 | 20 | 20 | 20 | 20 | 20 | 20 | 20 | 20 | 20 |
| W - Width (in.) | 14-1/4 | 14-1/4 | 17-1/2 | 17-1/2 | 17-1/2 | 21 | 21 | 21 | 21 | 24-1/2 | 24-1/2 | 24-1/2 |
| H - Height (in.) | 20-3/4 | 20-3/4 | 20-3/4 | 20-3/4 | 26-3/4 | 26-3/4 | 26-3/4 | 30-1/4 | 30-1/4 | 30-1/4 | 30-1/4 | 30-1/4 |
| HL - Height of Liquid Line (in.) | 17-1/2 | 17-1/2 | 17-1/2 | 17-1/2 | 23-1/2 | 23-1/2 | 23-1/2 | 27 | 27 | 27 | 27 | 27 |
| HS - Height of Suction Line (in.) | 15-1/2 | 15-1/2 | 15-1/2 | 15-1/2 | 21-1/2 | 21-1/2 | 21-1/2 | 25 | 25 | 25 | 25 | 25 |
| Connection - Liquid Line | 3/8 | 3/8 | 3/8 | 3/8 | 3/8 | 3/8 | 3/8 | 3/8 | 3/8 | 3/8 | 3/8 | 3/8 |
| Connection - Suction Line | 3/4 | 3/4 | 3/4 | 3/4 | 7/8 | 3/4 | 7/8 | 7/8 | 7/8 | 7/8 | 7/8 | 7/8 |
| Horizontal Drain Kit | 920265 | 920265 | 920265 | 920265 | 920266 | 920266 | 920266 | 920267 | 920267 | 920267 | 920267 | 920267 |
| Tube Kit for TXV | 921824 | 921824 | 921825 | 921825 | 921826 | 921827 | 921828 | 921829 | 921829 | 921830 | 921831 | 921831 |
| Metering Orifice Size (in.) | 0.048 | 0.061 | 0.055 | 0.067 | 0.071 | 0.061 | 0.067 | 0.077 | 0.083 | 0.071 | 0.077 | 0.083 |
| Pressure Drop at nom airflow (in. wc) | 0.17 | 0.27 | 0.15 | 0.27 | 0.27 | 0.26 | 0.29 | 0.31 | 0.30 | 0.30 | 0.31 | 0.30 |

C7 HORIZONTAL COIL DATA

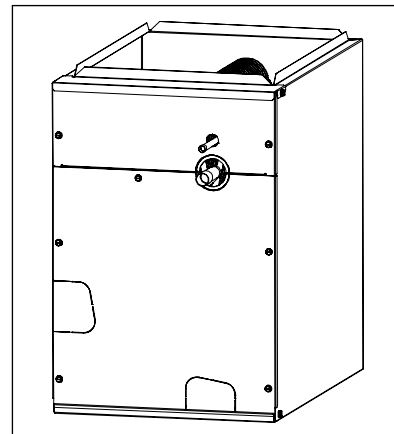
| C7 HORIZONTAL | 1824-A | 3036-A | 1824-B | 3036-B | 3642-B | 30-C | 3648-C | 48-C | 60-C | 42-D | 48-D | 60-D |
|---------------------------------------|--------|--------|--------|--------|--------|--------|--------|--------|--------|--------|--------|--------|
| Face Area (ft ²) | 3.43 | 3.43 | 3.43 | 3.43 | 4.87 | 3.43 | 4.87 | 5.82 | 5.82 | 4.87 | 5.82 | 5.82 |
| Fins per inch | 20 | 18 | 20 | 20 | 20 | 20 | 20 | 20 | 20 | 20 | 20 | 20 |
| W - Width (in.) | 14-1/4 | 14-1/4 | 17-1/2 | 17-1/2 | 17-1/2 | 21 | 21 | 21 | 21 | 24-1/2 | 24-1/2 | 24-1/2 |
| H - Height (in.) | 26-3/4 | 26-3/4 | 26-3/4 | 26-3/4 | 26-3/4 | 26-3/4 | 26-3/4 | 30-1/4 | 30-1/4 | 30-1/4 | 30-1/4 | 30-1/4 |
| HL - Height of Liquid Line (in.) | 23-1/2 | 23-1/2 | 23-1/2 | 23-1/2 | 23-1/2 | 23-1/2 | 23-1/2 | 27 | 27 | 27 | 27 | 27 |
| HS - Height of Suction Line (in.) | 21-1/2 | 21-1/2 | 21-1/2 | 21-1/2 | 21-1/2 | 21-1/2 | 21-1/2 | 25 | 25 | 25 | 25 | 25 |
| Connection - Liquid Line | 3/8 | 3/8 | 3/8 | 3/8 | 3/8 | 3/8 | 3/8 | 3/8 | 3/8 | 3/8 | 3/8 | 3/8 |
| Connection - Suction Line | 3/4 | 3/4 | 3/4 | 3/4 | 7/8 | 3/4 | 7/8 | 7/8 | 7/8 | 7/8 | 7/8 | 7/8 |
| Tube Kit for TXV | 921824 | 921824 | 921825 | 921825 | 921826 | 921827 | 921828 | 921829 | 921829 | 921830 | 921831 | 921831 |
| Metering Orifice Size (in.) | 0.048 | 0.061 | 0.055 | 0.067 | 0.071 | 0.061 | 0.067 | 0.077 | 0.083 | 0.071 | 0.077 | 0.083 |
| Pressure Drop at nom airflow (in. wc) | 0.17 | 0.27 | 0.15 | 0.27 | 0.27 | 0.26 | 0.29 | 0.31 | 0.30 | 0.30 | 0.31 | 0.30 |

NOTES:

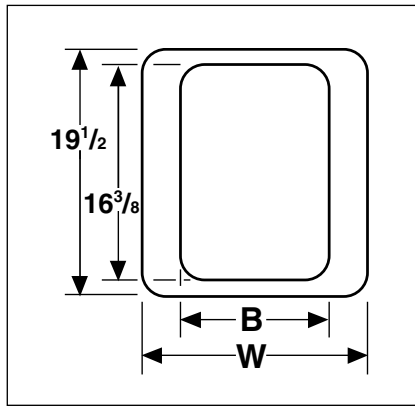
- Individual restrictors are available by part number - PN 664*** (where *** represents the size). Example: 664103 is a restrictor 0.103 in diameter.
- Refer to sales specification sheets for Listed/Certified combinations of equipment and required accessories.
- Refer to the current AHRI Directory for certified ratings of split systems.



Horizontal Cased Coil



Cased Coil



Drain Pan—Bottom View

DRAIN PAN DIMENSIONS

| Dimension | A Cabinet | B Cabinet | C Cabinet | D Cabinet |
|-----------|-----------|-----------|-----------|-----------|
| W | 12 3/4 | 16 | 19 1/2 | 23 |
| B | 6 5/8 | 9 7/8 | 12 3/8 | 16 7/8 |

Cased Coil Replacement Cabinet

| SKU | Model Number | Cabinet SKU |
|--------|---------------|-------------|
| 921515 | C7BAM01824C-A | 920256 |
| 921519 | C7BAM01824C-B | 920258 |
| 921661 | C7BHM01824C-A | 920257 |
| 921663 | C7BHM01824C-B | 920259 |
| 921700 | C7BAM030C-C | 920260 |
| 921701 | C7BHM030C-C | 920260 |
| 921517 | C7BAM03036C-A | 920256 |
| 921521 | C7BAM03036C-B | 920258 |
| 921662 | C7BHM03036C-A | 920257 |
| 921664 | C7BHM03036C-B | 920259 |
| 921523 | C7BAM03642C-B | 920259 |
| 921665 | C7BHM03642C-B | 920259 |
| 921525 | C7BAM03648C-C | 920260 |
| 921666 | C7BHM03648C-C | 920260 |
| 921529 | C7BAM042C-D | 920262 |
| 921668 | C7BHM042C-D | 920262 |
| 921838 | C7BAM048C-C | 920261 |
| 921841 | C7BAM048C-D | 920262 |
| 921839 | C7BHM048C-C | 920261 |
| 921842 | C7BHM048C-D | 920262 |
| 921527 | C7BAM04860C-C | 920261 |
| 921667 | C7BHM04860C-C | 920261 |
| 922116 | C7BAM060C-C | 920261 |
| 922119 | C7BAM060C-D | 920262 |
| 922117 | C7BHM060C-C | 920261 |
| 922120 | C7BHM060C-D | 920262 |

Liquid Line Tube kits

| COIL HEIGHT | CABINET | LIQUID LINE TUBE KIT |
|-------------|---------|----------------------|
| 18" | A | 921824 |
| 18" | B | 921825 |
| 24" | B | 921826 |
| 18" | C | 921827 |
| 24" | C | 921828 |
| 28" | C | 921829 |
| 24" | D | 921830 |
| 28" | D | 921831 |

TXV Kits

| | |
|---------|-------------|
| 920662A | R-22 2.0T |
| 920663A | R-22 2.5T |
| 920664A | R-22 3.0T |
| 920665A | R-22 3.5T |
| 920666A | R-22 4.0T |
| 920667A | R-22 5.0T |
| 920668A | R-410a 2.0T |
| 920669A | R-410a 2.5T |
| 920670A | R-410a 3.0T |
| 920671A | R-410a 3.5T |
| 920672A | R-410a 4.0T |
| 920673A | R-410a 5.0T |



Before purchasing this appliance, read important energy cost and efficiency information available from your retailer. Specifications and illustrations subject to change without notice and without incurring obligations. Printed in U.S.A (10/2020)