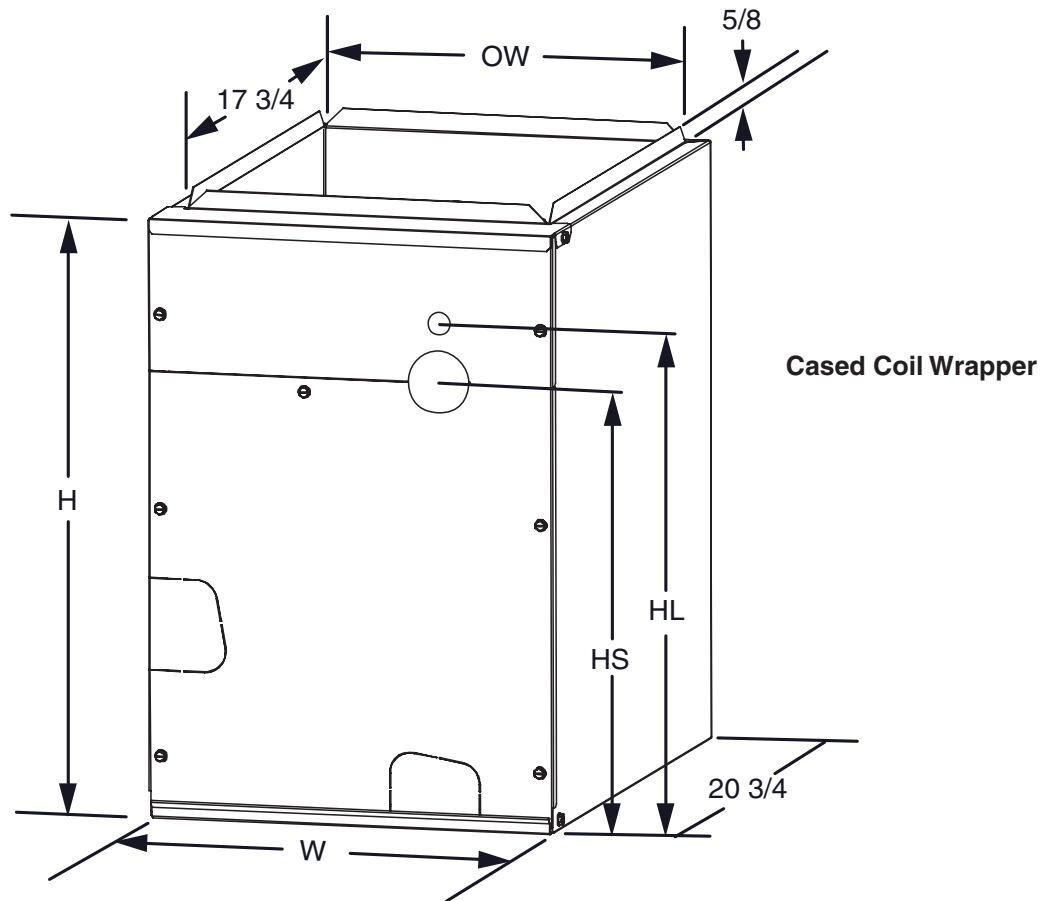
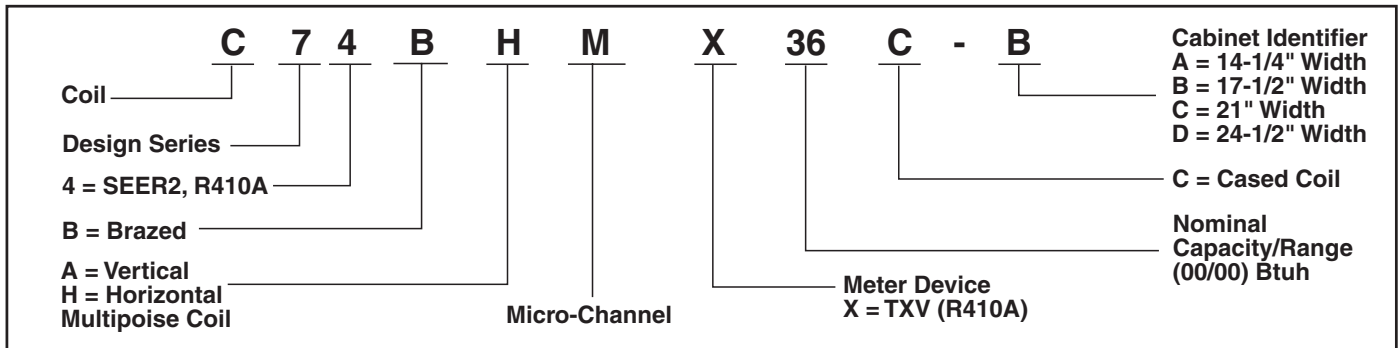


TECHNICAL SPECIFICATIONS

C74 Indoor Coils with TXV - Model C74BHM^XC* & C74BAM^XC*

MODEL IDENTIFICATION CODE



C74 CASED COIL WRAPPERS

SKU	Cabinet Identifier	Overall Width	Overall Height	Liquid Line Height	Suction Line Height	Opening Width
		W	H	HL	HS	OW
920256	A	14 1/4"	20 3/4"	17 1/2"	15 1/2"	12 7/8"
920258	B	17 1/2"	20 3/4"	17 1/2"	15 1/2"	16 1/8"
920259	B	17 1/2"	26 3/4"	23 1/2"	21 1/2"	16 1/8"
920260	C	21"	26 3/4"	23 1/2"	21 1/2"	19 5/8"
920261	C	21"	30 1/4"	27"	25"	19 5/8"
920262	D	24 1/2"	30 1/4"	27"	25"	23 1/8"

C74B(A,H)M CASED COIL SPECIFICATIONS

C74BAM	UPFLOW & DOWNFLOW UNITS (3)												
	A-CABINETS		B-CABINETS			C-CABINETS					D-CABINETS		
	X24C-A	X30C-A	X24C-B	X30C-B	X36C-B	X30C-C	X36C-C	X42C-C	X48C-C	X60C-C	X42C-D	X48C-D	X60C-D
NOMINAL CAPACITY, BTUH	24,000	30,000	24,000	30,000	36,000	30,000	36,000	42,000	48,000	60,000	42,000	48,000	60,000
METERING DEVICE	TXV	TXV	TXV	TXV	TXV	TXV	TXV	TXV	TXV	TXV	TXV	TXV	TXV
W - WIDTH (IN.)	14.25	14.25	17.5	17.5	17.5	21	21	21	21	21	24.5	24.5	24.5
H - HEIGHT (IN.)	20.75	20.75	20.75	20.75	26.75	26.75	26.75	26.75	30.25	30.25	30.25	30.25	30.25
HL - HEIGHT OF LIQUID LINE (IN.)	17.5	17.5	17.5	17.5	23.5	23.5	23.5	23.5	27	27	27	27	27
HS - HEIGHT OF SUCTION LINE (IN.)	15.5	15.5	15.5	15.5	21.5	21.5	21.5	21.5	25	25	25	25	25
CONNECTION - LIQUID LINE	3/8	3/8	3/8	3/8	3/8	3/8	3/8	3/8	3/8	3/8	3/8	3/8	3/8
CONNECTION - SUCTION LINE	3/4	3/4	3/4	3/4	7/8	3/4	7/8	7/8	7/8	7/8	7/8	7/8	7/8
HORIZONTAL DRAIN PAN KIT	920265	920265	920265	920265	920266	920265	920266	920266	920267	920267	920266	920267	920267

C74BAM Cased Coil Specifications (TXV Only)

C74BHM	HORIZONTAL UNITS (3)												
	A-CABINETS		B-CABINETS			C-CABINETS					D-CABINETS		
	X24C-A	X30C-A	X24C-B	X30C-B	X36C-B	X30C-C	X36C-C	X42C-C	X48C-C	X60C-C	X42C-D	X48C-D	X60C-D
NOMINAL CAPACITY, BTUH	24,000	30,000	24,000	30,000	36,000	30,000	36,000	42,000	48,000	60,000	42,000	48,000	60,000
METERING DEVICE	TXV	TXV	TXV	TXV	TXV	TXV	TXV	TXV	TXV	TXV	TXV	TXV	TXV
W - WIDTH (IN.)	14.25	14.25	17.5	17.5	17.5	21	21	21	21	21	24.5	24.5	24.5
H - HEIGHT (IN.)	26.75	26.75	26.75	26.75	26.75	26.75	26.75	26.75	30.25	30.25	30.25	30.25	30.25
HL - HEIGHT OF LIQUID LINE (IN.)	23.5	23.5	23.5	23.5	23.5	23.5	23.5	23.5	27	27	27	27	27
HS - HEIGHT OF SUCTION LINE (IN.)	21.5	21.5	21.5	21.5	21.5	21.5	21.5	21.5	25	25	25	25	25
CONNECTION - LIQUID LINE	3/8	3/8	3/8	3/8	3/8	3/8	3/8	3/8	3/8	3/8	3/8	3/8	3/8
CONNECTION - SUCTION LINE	3/4	3/4	3/4	3/4	7/8	3/4	7/8	7/8	7/8	7/8	7/8	7/8	7/8

C74BHM Cased Coil Specifications (TXV Only)

NOTES:

- Individual restrictors are available by part number - PN664*** (where *** represents the size). Example: 664103 is a restrictor 0.103 in diameter.
- Refer to sales specification sheets for Listed/Certified combinations of equipment and required accessories.
- X in the model description designates factory installed TXV for R-410a refrigerant.
- Refer to the current AHRI Directory for certified ratings of split systems.

C74 CASED COIL DIMENSIONS

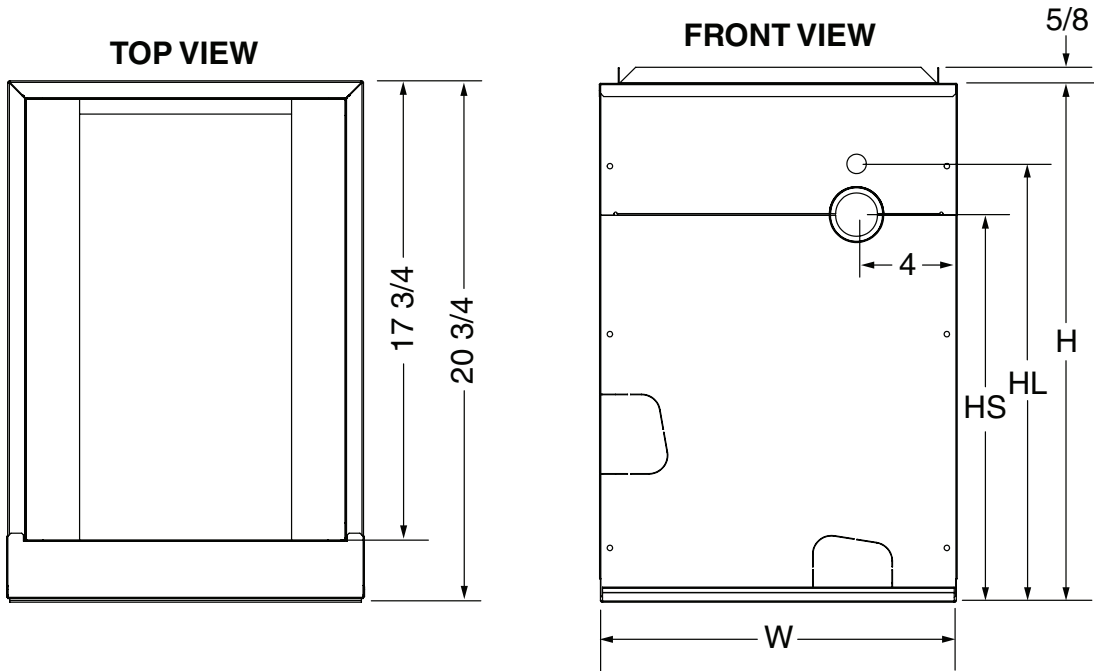
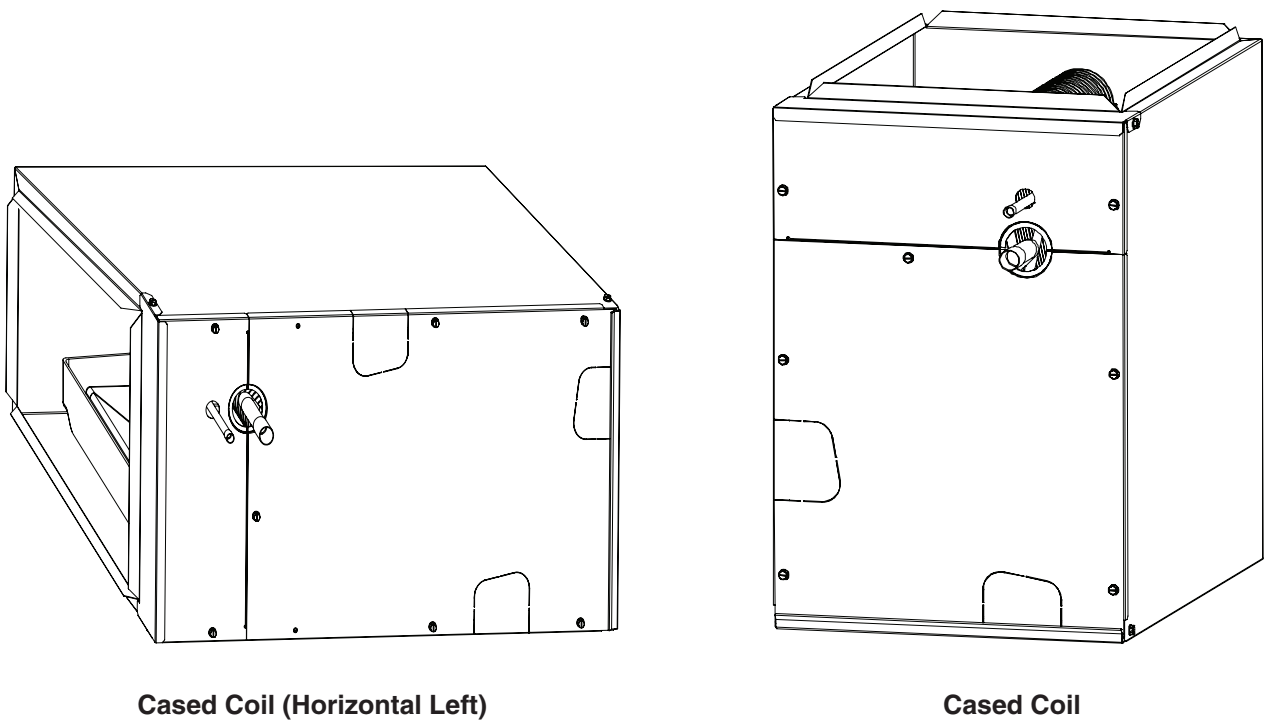
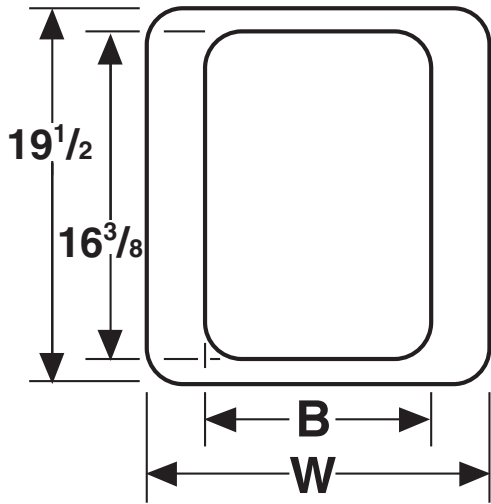


Figure 1. C74 Coil Dimensions (with TXV)





Drain Pan—Bottom View

DRAIN PAN DIMENSIONS

Dimension	A Cabinet	B Cabinet	C Cabinet	D Cabinet
W	12 3/4	16	19 1/2	23
B	6 5/8	9 7/8	12 3/8	16 7/8



Before purchasing this appliance, read important energy cost and efficiency information available from your retailer. Specifications and illustrations subject to change without notice and without incurring obligations. Printed in U.S.A (06/2022)