



COOPLOK™ Grooved Submittal
Standard Radius Fittings

- Fig. 65E & 66E 90° Elbow
- Fig. 65ELR & 66ELR 90° Elbow Long Radius – 1-1/2D (F)
- Fig. 65F & 66F 45° Elbow
- Fig. 65FLR & 66FLR 45° Elbow Long Radius – 1-1/2D (F)
- Fig. 65TT & 66TT 22-1/2° Elbow
- Fig. 65EL & 66EL 11-1/4° Elbow
- Fig. 65T & 66T Tee
- Fig. 65X & 66X Cross
- Fig. 65FA & 66FA Grooved x Flange Adapter
- Fig. 65C & 66C Cap
- Fig. 65CT Grooved Cap with Center Tap
- Fig. 65AE & 66AE Adapter Elbow (x Female NPT)
- Fig. 65RT & 66RT Reducing Tee
- Fig. 65RTT & 66RTT Reducing Tee (x Male NPT) (F)
- Fig. 65CR & 66CR Concentric Reducer
- Fig. 65CRT & 66CRT Concentric Reducer (x Male NPT) (F)
- Fig. 65ER & 66ER Eccentric Reducer (F)
- Fig. 65Y & 66Y True Wye (F)
- Fig. 65LY & 66LY Lateral Wye (F)

COOPLOK™ Standard Radius fittings are Ductile Iron castings, except when noted with an (F) at the end of the part number. (F) denotes fabricated steel fitting; segmentally welded.

Material Specifications

Fitting Materials:

- Ductile Iron castings conform to ASTM A-536, Grade 65-45-12
- Sch. 40 – Carbon Steel - (F) denotes fabricated fitting; segmentally welded. * Sizes 10" & larger – not UL/FM.

Coating:

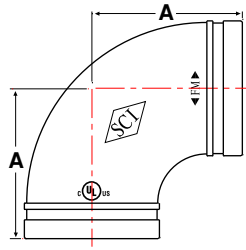
- Orange Paint (rust inhibiting) – Standard Coating
- Hot Dipped Galvanized conforming to ASTM A-153

Project Information	
Project/Job/System:	
Submittal Date:	
Engineer:	Contractor:
Address:	Address:
City/State:	City/State:
Notes:	

Approval Stamp

Fig. 65E & 66E
90° Elbow, Standard Radius

- Ductile Iron - Full Flow
- UL/FM – 1-1/4" to 12" only

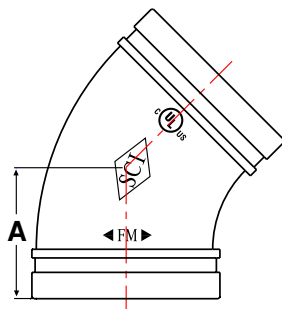


Pipe Size in / mm	Part Number		A in / mm	Case Qty	Weight lb / kg
	Painted	Galvanized			
1-1/4 32	65E 3012	66E 3012	2.75 69.9	50	1.0 0.4
1-1/2 40	65E 3014	66E 3014	2.75 69.9	36	1.2 0.5
2 50	65E 3020	66E 3020	3.25 82.6	20	2.1 0.9
2-1/2 65	65E 3024	66E 3024	3.75 95.3	12	2.7 1.2
3 80	65E 3030	66E 3030	4.25 108.0	8	3.8 1.7
4 100	65E 3040	66E 3040	5.00 127.0	8	7.6 3.4
5 125	65E 3050	66E 3050	5.50 139.7	-	10.6 4.8
6 150	65E 3060	66E 3060	6.50 165.1	-	15.7 7.1
8 200	65E 3080	66E 3080	7.75 196.9	-	28.7 13.0
10 250	65E 3100	66E 3100	9.00 229.0	-	50.7 23.0
12 300	65E 3120	66E 3120	10.00 254.0	-	70.1 31.8
14 350	65E 3140	66E 3140	14.00 356.0	-	106.9 48.5
16 400	65E 3160	66E 3160	16.00 406.0	-	158.7 72.0

18" through 24" sizes available upon request.

Fig. 65F & 66F
45° Elbow, Standard Radius

- Ductile Iron - Full Flow
- UL/FM – 1-1/4" to 12" only

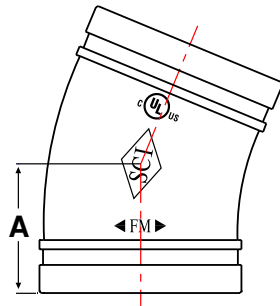


Pipe Size in / mm	Part Number		A in / mm	Case Qty	Weight lb / kg
	Painted	Galvanized			
1-1/4 32	65F 3012	66F 3012	1.75 44.5	65	0.7 0.3
1-1/2 40	65F 3014	66F 3014	1.75 44.5	55	0.8 0.4
2 50	65F 3020	66F 3020	2.00 50.8	30	1.5 0.7
2-1/2 65	65F 3024	66F 3024	2.25 57.2	20	2.0 0.9
3 80	65F 3030	66F 3030	2.50 63.5	10	2.8 1.3
4 100	65F 3040	66F 3040	3.00 76.2	6	4.7 2.2
5 125	65F 3050	66F 3050	3.25 82.6	-	7.5 3.4
6 150	65F 3060	66F 3060	3.50 88.9	-	9.8 4.5
8 200	65F 3080	66F 3080	4.25 108.0	-	19.5 8.8
10 250	65F 3100	66F 3100	4.75 121.0	-	30.3 13.7
12 300	65F 3120	66F 3120	5.25 133.0	-	42.7 19.4
14 350	65F 3140	66F 3140	5.79 147.0	-	51.8 23.5
16 400	65F 3160	66F 3160	6.61 168.0	-	72.7 33.0

18" through 24" sizes available upon request.

Fig. 65TT & 66TT
22-1/2° Elbow, Standard Radius

- Ductile Iron - Full Flow
- (F) Fabricated Steel - Sch40, Cut Groove

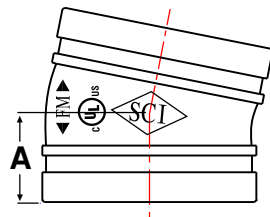


Pipe Size in / mm	Part Number		A in / mm	Case Qty	Weight lb / kg
	Painted	Galvanized			
1-1/4 32	65TT3012	66TT3012	1.75 44.5	85	0.7 0.3
1-1/2 40	65TT3014	66TT3014	1.75 44.5	75	0.8 0.4
2 50	65TT3020	66TT3020	1.88 47.8	30	1.2 0.5
2-1/2 65	65TT3024	66TT3024	2.00 50.8	24	1.5 0.7
3 80	65TT3030	66TT3030	2.25 57.2	14	2.3 1.0
4 100	65TT3040	66TT3040	2.62 66.5	16	3.8 1.7
5 125	65TT3050	66TT3050	2.88 73.2	-	5.9 2.7
6 150	65TT3060	66TT3060	3.12 79.2	-	8.2 3.7
8 200	65TT3080	66TT3080	3.88 98.6	-	16.2 7.3
10 250	65TT3100F	66TT3100F	4.38 111.2	-	30.0 13.6
12 300	65TT3120F	66TT3120F	4.88 123.9	-	40.0 18.1

14" through 24" sizes available upon request.

Fig. 65EL & 66EL
11-1/4° Elbow, Standard Radius

- Ductile Iron - Full Flow
- (F) Fabricated Steel - Sch40, Cut Groove



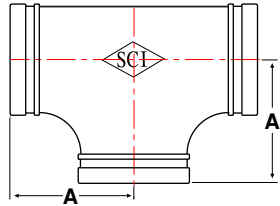
Pipe Size in / mm	Part Number		A in / mm	Case Qty	Weight lb / kg
	Painted	Galvanized			
1-1/4 32	65EL3012	66EL3012	1.37 34.8	115	0.6 0.3
1-1/2 40	65EL3014	66EL3014	1.37 34.8	90	0.7 0.3
2 50	65EL3020	66EL3020	1.37 34.8	60	0.8 0.4
2-1/2 65	65EL3024	66EL3024	1.50 38.1	36	1.2 0.5
3 80	65EL3030	66EL3030	1.50 38.1	18	1.6 0.7
4 100	65EL3040	66EL3040	1.75 44.5	24	2.8 1.3
5 125	65EL3050	66EL3050	2.00 50.8	-	4.3 2.0
6 150	65EL3060	66EL3060	2.00 50.8	-	5.5 2.5
8 200	65EL3080	66EL3080	2.00 50.8	-	8.3 3.8
10 250	65EL3100F	66EL3100F	2.13 54.1	-	20.0 9.1
12 300	65EL3120F	66EL3120F	2.25 57.1	-	30.0 13.6

14" through 24" sizes available upon request.

Please see complete installation instructions at www.smithcooper.com for important guidelines and limitations on the use and applications of COOPLOK™ Grooved Couplings and Fittings.

Fig. 65T & 66T Tee, Standard Radius

- Ductile Iron - Full Flow
- UL/FM – 1-1/4" to 12" only

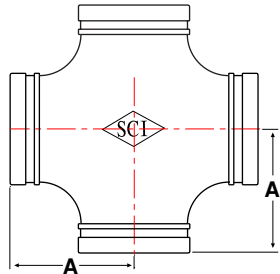


Pipe Size in / mm	Part Number		A in / mm	Case Qty	Weight lb / kg
	Painted	Galvanized			
1-1/4 32	65T 3012	66T 3012	2.75 69.9	35	1.4 0.7
1-1/2 40	65T 3014	66T 3014	2.75 69.9	24	1.7 0.8
2 50	65T 3020	66T 3020	3.25 82.6	15	3.1 1.4
2-1/2 65	65T 3024	66T 3024	3.75 95.3	7	4.1 1.9
3 80	65T 3030	66T 3030	4.25 108.0	10	5.8 2.6
4 100	65T 3040	66T 3040	5.00 127.0	5	10.0 4.5
5 125	65T 3050	66T 3050	5.50 139.7	-	15.0 6.8
6 150	65T 3060	66T 3060	6.50 165.1	-	22.3 10.1
8 200	65T 3080	66T 3080	7.75 196.9	-	41.1 18.6
10 250	65T 3100	66T 3100	9.00 229.0	-	64.8 29.4
12 300	65T 3120	66T 3120	10.00 254.0	-	90.9 41.2
14 350	65T 3140	66T 3140	11.00 279.0	-	116.8 53.0
16 400	65T 3160	66T 3160	12.00 305.0	-	145.0 65.9

18" through 24" sizes available upon request.

Fig. 65X & 66X Cross, Standard Radius

- Ductile Iron - Full Flow
- UL/FM – 1-1/4" to 8" only

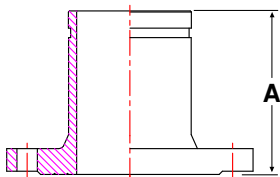


Pipe Size in / mm	Part Number		A in / mm	Case Qty	Weight lb / kg
	Painted	Galvanized			
1-1/4 32	65X 3012	66X 3012	2.75 69.9	20	1.8 0.8
1-1/2 40	65X 3014	66X 3014	2.75 69.9	16	2.0 0.9
2 50	65X 3020	66X 3020	3.25 82.6	20	3.3 1.5
2-1/2 65	65X 3024	66X 3024	3.75 95.3	10	4.9 2.2
3 80	65X 3030	66X 3030	4.25 108.0	7	7.3 3.3
4 100	65X 3040	66X 3040	5.00 127.0	4	10.0 4.5
5 125	65X 3050	66X 3050	5.50 139.7	-	15.3 6.9
6 150	65X 3060	66X 3060	6.50 165.1	-	24.6 11.1
8 200	65X 3080	66X 3080	7.75 196.9	-	41.6 18.9

10" through 24" sizes available upon request.

Fig. 65FA & 66FA Grooved x Flange Adapter

- Ductile Iron
- UL/FM – 2" to 8" only
- Matches Class 125/150 flange dimensions

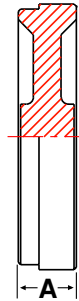


Pipe Size in / mm	Part Number		A in / mm	Case Qty	Weight lb / kg
	Painted	Galvanized			
2 50	65FA3020	66FA3020	4.00 101.6	8	4.0 1.8
2-1/2 65	65FA3024	66FA3024	4.00 101.6	5	5.4 2.5
3 80	65FA3030	66FA3030	4.00 101.6	4	6.4 2.9
4 100	65FA3040	66FA3040	6.00 152.4	-	12.7 5.8
6 150	65FA3060	66FA3060	6.00 152.4	-	19.0 8.6
8 200	65FA3080	66FA3080	6.00 152.4	-	28.8 13.1
10 250	65FA3100F	66FA3100F	8.00 203.2	-	66.0 30.0
12 300	65FA3120F	66FA3120F	10.00 254.0	-	97.0 44.1

5" & 14" through 24" sizes available upon request.

Fig. 65C & 66C
Cap

- Ductile Iron

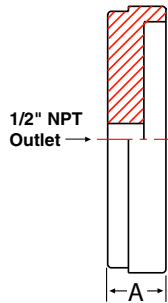


Pipe Size in / mm	Part Number		A in / mm	Case Qty	Weight lb / kg
	Painted	Galvanized			
1-1/4 32	65C 3012	66C 3012	0.88 22.4	200	0.3 0.1
1-1/2 40	65C 3014	66C 3014	0.88 22.4	140	0.4 0.2
2 50	65C 3020	66C 3020	0.88 22.4	80	0.6 0.3
2-1/2 65	65C 3024	66C 3024	0.88 22.4	60	1.0 0.5
3 80	65C 3030	66C 3030	0.88 22.4	40	1.5 0.7
4 100	65C 3040	66C 3040	1.00 25.4	24	2.6 1.2
5 125	65C 3050	66C 3050	1.00 25.4	12	4.0 1.8
6 150	65C 3060	66C 3060	1.00 25.4	10	5.4 2.5
8 200	65C 3080	66C 3080	1.19 30.2	5	11.5 5.2
10 250	65C 3100	66C 3100	1.26 32.0	-	17.7 8.0
12 300	65C 3120	66C 3120	1.26 32.0	-	23.6 10.7

14" through 24" sizes available upon request.

Fig. 65CT
Grooved Cap with Center Tap

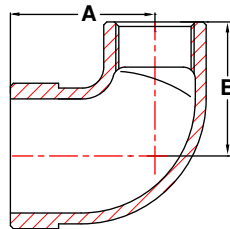
- Ductile Iron
- 1/2" NPT outlet



Pipe Size in / mm	Part Number		A in / mm	Case Qty	Weight lb / kg
	Painted				
2 50	65CT3020004		0.88 22.4	80	0.6 0.3
3 80	65CT3030004		0.88 22.4	40	1.5 0.7
4 100	65CT3040004		1.00 25.4	24	2.6 1.2
6 150	65CT3060004		1.00 25.4	10	5.4 2.5
8 200	65CT3080004		1.19 30.2	5	11.5 5.2

Fig. 65AE & 66AE
Adapter Elbow, Grooved x Threaded

- Ductile Iron - Full Flow
- Threads meet ASME B1.20.1



Pipe Size in / mm	Part Number		A in / mm	B in / mm	Case Qty	Weight lb / kg
	Painted	Galvanized				
1-1/4 x 1/2 32 x 15	65AE3012004	66AE3012004	1.88 48.0	1.75 44.4	90	0.6 0.3
1-1/4 x 3/4 32 x 20	65AE3012006	66AE3012006	1.88 48.0	1.75 44.5	90	0.6 0.3
1-1/4 x 1 32 x 25	65AE3012010	66AE3012010	2.02 51.3	2.00 50.8	75	0.8 0.3
1-1/2 x 1/2 40 x 15	65AE3014004	66AE3014004	1.88 48.0	1.75 44.4	69	0.6 0.3
1-1/2 x 3/4 40 x 20	65AE3014006	66AE3014006	1.88 48.0	1.75 44.4	69	0.7 0.3
1-1/2 x 1 40 x 25	65AE3014010	66AE3014010	2.02 51.3	2.00 50.8	60	0.8 0.4
2 x 1/2 50 x 15	65AE3020004	66AE3020004	1.88 48.0	1.75 44.4	45	0.8 0.4
2 x 3/4 50 x 20	65AE3020006	66AE3020006	1.88 48.0	1.75 44.4	45	0.9 0.4
2 x 1 50 x 25	65AE3020010	66AE3020010	2.02 51.3	2.00 50.8	45	1.0 0.5
2-1/2 x 1/2 65 x 15	65AE3024004	66AE3024004	1.88 48.0	1.97 50.0	36	1.0 0.5
2-1/2 x 3/4 65 x 20	65AE3024006	66AE3024006	1.88 48.0	1.97 50.0	36	1.1 0.5
2-1/2 x 1 65 x 25	65AE3024010	66AE3024010	2.02 51.3	2.00 50.8	36	1.2 0.5

Please see complete installation instructions at www.smithcooper.com for important guidelines and limitations on the use and applications of COOPLOK™ Grooved Couplings and Fittings.



Grooved Fittings

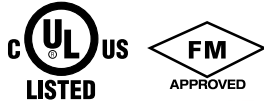
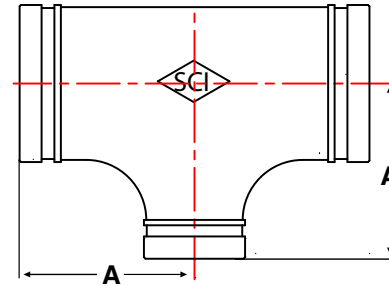


Fig. 65RT & 66RT
Reducing Tee

- Ductile Iron sizes – Full Flow
- UL/FM – 1-1/2" to 8"
- (F) Fabricated steel fittings – Schedule 40, cut grooved



Pipe Size in / mm	Part Number		A in / mm	Weight lb / kg
	Painted	Galvanized		
1-1/2 x 1-1/4 40 x 32	65RT3014012F	66RT3014012F	2.75 70.0	1.7 0.8
2 x 1-1/4 50 x 32	65RT3020012F	66RT3020012F	3.25 82.6	2.5 1.2
2 x 1-1/2 50 x 40	65RT3020014	66RT3020014	3.25 82.6	2.6 1.2
2-1/2 x 1-1/4 65 x 32	65RT3024012F	66RT3024012F	3.75 95.3	4.1 1.9
2-1/2 x 1-1/2 65 x 40	65RT3024014F	66RT3024014F	3.75 95.3	4.5 2.0
2-1/2 x 2 65 x 50	65RT3024020	66RT3024020	3.75 95.3	3.5 1.8
3 x 1-1/4 80 x 32	65RT3030012F	66RT3030012F	4.25 108.0	6.2 2.8
3 x 1-1/2 80 x 40	65RT3030014	66RT3030014	4.25 108.0	6.1 2.8
3 x 2 80 x 50	65RT3030020	66RT3030020	4.25 108.0	6.4 2.9
3 x 2-1/2 80 x 65	65RT3030024	66RT3030024	4.25 108.0	5.2 2.3
4 x 1-1/4 100 x 32	65RT3040012F	66RT3040012F	5.00 127.0	9.7 4.4
4 x 1-1/2 100 x 40	65RT3040014F	66RT3040014F	5.00 127.0	10.4 4.7
4 x 2 100 x 50	65RT3040020	66RT3040020	5.00 127.0	8.3 3.8
4 x 2-1/2 100 x 65	65RT3040024	66RT3040024	5.00 127.0	7.9 3.6
4 x 3 100 x 80	65RT3040030	66RT3040030	5.00 127.0	8.1 3.7
5 x 1-1/4 125 x 32	65RT3050012F	66RT3050012F	5.50 139.7	14.5 6.6
5 x 1-1/2 125 x 40	65RT3050014F	66RT3050014F	5.50 139.7	14.7 6.7
5 x 2 125 x 50	65RT3050020F	66RT3050020F	5.50 139.7	14.6 6.6
5 x 2-1/2 125 x 65	65RT3050024F	66RT3050024F	5.50 139.7	14.1 5.9
5 x 3 125 x 80	65RT3050030F	66RT3050030F	5.50 139.7	14.7 6.2
5 x 4 125 x 100	65RT3050040F	66RT3050040F	5.50 139.7	14.7 6.7
6 x 1-1/4 150 x 32	65RT3060012F	66RT3060012F	6.50 165.1	21.1 9.6
6 x 1-1/2 150 x 40	65RT3060014F	66RT3060014F	6.50 165.1	21.2 9.6
6 x 2 150 x 50	65RT3060020	66RT3060020	6.50 165.1	21.5 9.8
6 x 2-1/2 150 x 65	65RT3060024	66RT3060024	6.50 165.1	19.0 8.6
6 x 3 150 x 80	65RT3060030	66RT3060030	6.50 165.1	18.5 8.4
6 x 4 150 x 100	65RT3060040	66RT3060040	6.50 165.1	18.7 8.5

Pipe Size in / mm	Part Number		A in / mm	Weight lb / kg
	Painted	Galvanized		
6 x 5 150 x 125	65RT3060050F	66RT3060050F	6.50 165.1	26.4 12.0
8 x 2 200 x 50	65RT3080020F	66RT3080020F	7.75 196.9	38.1 17.3
8 x 2-1/2 200 x 65	65RT3080024F	66RT3080024F	7.75 196.9	38.8 17.6
8 x 3 200 x 80	65RT3080030	66RT3080030	7.75 196.9	34.7 17.9
8 x 4 200 x 100	65RT3080040	66RT3080040	7.75 196.9	34.5 15.7
8 x 5 200 x 125	65RT3080050	66RT3080050	7.75 196.9	40.5 18.3
8 x 6 200 x 150	65RT3080060	66RT3080060	7.75 196.9	36.4 16.5
10 x 2 250 x 50	65RT3100020F	66RT3100020F	9.00 228.6	63.5 28.8
10 x 2-1/2 250 x 65	65RT3100024F	66RT3100024F	9.00 228.6	65.1 29.5
10 x 3 250 x 80	65RT3100030F	66RT3100030F	9.00 228.6	66.4 30.1
10 x 4 250 x 100	65RT3100040F	66RT3100040F	9.00 228.6	68.8 24.3
10 x 5 250 x 150	65RT3100050F	66RT3100050F	9.00 228.6	71.7 32.5
10 x 6 250 x 150	65RT3100060	66RT3100060	9.00 228.6	69.5 31.5
10 x 8 250 x 200	65RT3100080	66RT3100080	9.00 228.6	78.2 35.4
12 x 2 300 x 50	65RT3120020F	66RT3120020F	10.00 254.0	84.2 38.2
12 x 2-1/2 300 x 65	65RT3120024F	66RT3120024F	10.00 254.0	85.2 38.7
12 x 3 300 x 80	65RT3120030F	66RT3120030F	10.00 254.0	86.1 39.1
12 x 4 300 x 100	65RT3120040F	66RT3120040F	10.00 254.0	87.7 39.8
12 x 5 300 x 125	65RT3120050F	66RT3120050F	10.00 254.0	89.6 40.7
12 x 6 300 x 150	65RT3120060F	66RT3120060F	10.00 254.0	98.1 44.5
12 x 8 300 x 200	65RT3120080F	66RT3120080F	10.00 254.0	106.1 48.1
12 x 10 300 x 250	65RT3120100F	66RT3120100F	10.00 254.0	116.0 52.6
14 x 4 350 x 100	65RT3140040F	66RT3140040F	11.00 279.4	109.8 49.8
14 x 6 350 x 150	65RT3140060F	66RT3140060F	11.00 279.4	117.4 53.2
14 x 8 350 x 200	65RT3140080F	66RT3140080F	11.00 279.4	126.2 57.3
14 x 10 350 x 250	65RT3140100F	66RT3140100F	11.00 279.4	137.2 62.2
14 x 12 350 x 300	65RT3140120F	66RT3140120F	11.00 279.4	145.6 66.0

*Other sizes and configurations available by special order.

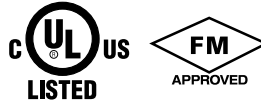
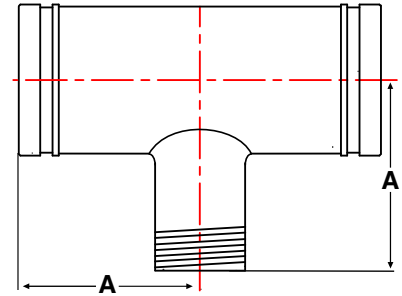


Fig. 65RTT & 66RTT
Reducing Tee - Grooved x Male NPT

- (F) Fabricated steel fittings – all sizes Schedule 40, cut grooved
- UL/FM – 2" to 8"
- Male NPT threads conform to ASME B1.20.1



Pipe Size in / mm	Part Number		A in / mm	Weight lb / kg
	Painted	Galvanized		
2 x 1 50 x 25	65RTT3020010F	66RTT3020010F	3.25 82.6	2.3 1.0
2 x 1-1/4 50 x 32	65RTT3020012F	66RTT3020012F	3.25 82.6	2.5 1.1
2 x 1-1/2 50 x 40	65RTT3020014F	66RTT3020014F	3.25 82.6	2.5 1.1
2-1/2 x 1 65 x 25	65RTT3024010F	66RTT3024010F	3.75 95.3	4.0 1.8
2-1/2 x 1-1/4 65 x 32	65RTT3024012F	66RTT3024012F	3.75 95.3	4.4 1.9
2-1/2 x 1-1/2 65 x 40	65RTT3024014F	66RTT3024014F	3.75 95.3	4.5 2.0
2-1/2 x 2 65 x 50	65RTT3024020F	66RTT3024020F	3.75 95.3	4.5 2.0
3 x 1 80 x 25	65RTT3030010F	66RTT3030010F	4.25 108.0	6.0 2.7
3 x 1-1/4 80 x 32	65RTT3030012F	66RTT3030012F	4.25 108.0	6.2 2.8
3 x 1-1/2 80 x 40	65RTT3030014F	66RTT3030014F	4.25 108.0	6.3 2.8
3 x 2 80 x 50	65RTT3030020F	66RTT3030020F	4.25 108.0	6.8 3.1
3 x 2-1/2 80 x 65	65RTT3030024F	66RTT3030024F	4.25 108.0	7.1 3.2
4 x 1 100 x 25	65RTT3040010F	66RTT3040010F	5.00 127.0	9.7 4.3
4 x 1-1/4 100 x 32	65RTT3040012F	66RTT3040012F	5.00 127.0	9.7 4.4
4 x 1-1/2 100 x 40	65RTT3040014F	66RTT3040014F	5.00 127.0	10.1 4.5
4 x 2 100 x 50	65RTT3040020F	66RTT3040020F	5.00 127.0	10.8 4.9
4 x 2-1/2 100 x 65	65RTT3040024F	66RTT3040024F	5.00 127.0	10.9 4.9
4 x 3 100 x 80	65RTT3040030F	66RTT3040030F	5.00 127.0	11.5 5.2
5 x 2 125 x 50	65RTT3050020F	66RTT3050020F	5.50 139.7	14.4 6.5
5 x 2-1/2 125 x 65	65RTT3050024F	66RTT3050024F	5.50 139.7	15.1 6.8
5 x 3 125 x 80	65RTT3050030F	66RTT3050030F	5.50 139.7	16.9 7.7
5 x 4 125 x 100	65RTT3050040F	66RTT3050040F	5.50 139.7	17.9 8.1
6 x 2 150 x 50	65RTT3060020F	66RTT3060020F	6.50 165.1	21.8 9.9
6 x 2-1/2 150 x 65	65RTT3060024F	66RTT3060024F	6.50 165.1	22.0 20.7

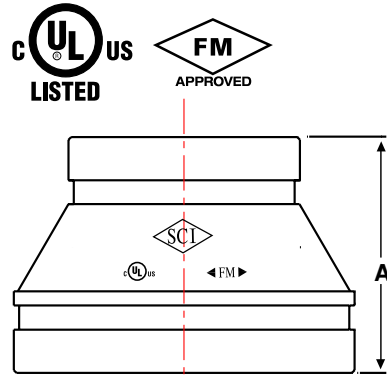
Pipe Size in / mm	Part Number		A in / mm	Weight lb / kg
	Painted	Galvanized		
6 x 3 150 x 80	65RTT3060030F	66RTT3060030F	6.50 165.1	22.0 10.0
6 x 4 150 x 100	65RTT3060040F	66RTT3060040F	6.50 165.1	24.7 11.2
6 x 5 150 x 125	65RTT3060050F	66RTT3060050F	6.50 165.1	27.8 12.6
8 x 2 200 x 50	65RTT3080020F	66RTT3080020F	7.75 196.9	37.4 17.0
8 x 2-1/2 200 x 65	65RTT3080024F	66RTT3080024F	7.75 196.9	38.0 17.2
8 x 3 200 x 80	65RTT3080030F	66RTT3080030F	7.75 196.9	38.6 17.5
8 x 4 200 x 100	65RTT3080040F	66RTT3080040F	7.75 196.9	40.5 18.3
8 x 5 200 x 125	65RTT3080050F	66RTT3080050F	7.75 196.9	42.0 19.0
8 x 6 200 x 150	65RTT3080060F	66RTT3080060F	7.75 196.9	51.0 23.1
10 x 2 250 x 50	65RTT3100020F	66RTT3100020F	9.00 228.6	61.8 28.0
10 x 3 250 x 80	65RTT3100030F	66RTT3100030F	9.00 228.6	63.3 28.7
10 x 4 250 x 100	65RTT3100040F	66RTT3100040F	9.00 228.6	64.0 29.0
10 x 5 250 x 125	65RTT3100050F	66RTT3100050F	9.00 228.6	65.1 29.5
10 x 6 250 x 150	65RTT3100060F	66RTT3100060F	9.00 228.6	64.8 29.9
10 x 8 250 x 200	65RTT3100080F	66RTT3100080F	9.00 228.6	64.5 29.3
12 x 3 300 x 80	65RTT3120030F	66RTT3120030F	10.00 254.0	84.5 38.4
12 x 4 300 x 100	65RTT3120040F	66RTT3120040F	10.00 254.0	85.7 38.9
12 x 5 300 x 125	65RTT3120050F	66RTT3120050F	10.00 254.0	87.0 39.5
12 x 6 300 x 150	65RTT3120060F	66RTT3120060F	10.00 254.0	88.2 40.0
12 x 8 300 x 200	65RTT3120080F	66RTT3120080F	10.00 254.0	91.0 41.3
12 x 10 300 x 250	65RTT3120100F	66RTT3120100F	10.00 254.0	94.7 43.0
14 x 8 350 x 200	65RTT3140080F	66RTT3140080F	11.00 279.4	110.0 50.0
14 x 10 350 x 250	65RTT3140100F	66RTT3140100F	11.00 279.4	114.0 51.8
14 x 12 350 x 300	65RTT3140120F	66RTT3140120F	11.00 279.4	117.0 53.1

*Other sizes and configurations available by special order.

Please see complete installation instructions at www.smithcooper.com for important guidelines and limitations on the use and applications of COOPLOK™ Grooved Couplings and Fittings.

Fig. 65CR & 66CR Concentric Reducer

- Ductile Iron sizes – Full Flow
- UL/FM – 2" to 8"
- (F) Fabricated steel fittings – Schedule 40, cut grooved



Pipe Size in / mm	Part Number		A in / mm	Weight lb / kg
	Painted	Galvanized		
2 x 1 50 x 25	65CR3020010F	66CR3020010F	2.50 64.0	0.8 0.4
2 x 1-1/4 50 x 32	65CR3020012	66CR3020012	2.50 64.0	0.7 0.3
2 x 1-1/2 50 x 40	65CR3020014	66CR3020014	2.50 64.0	0.8 0.4
2-1/2 x 1 65 x 25	65CR3024010F	66CR3024010F	2.50 64.0	1.0 0.5
2-1/2 x 1-1/4 65 x 32	65CR3024012	66CR3024012	2.50 64.0	1.1 0.50
2-1/2 x 1-1/2 65 x 40	65CR3024014	66CR3024014	2.50 64.0	1.0 0.5
2-1/2 x 2 65 x 50	65CR3024020	66CR3024020	2.50 64.0	1.1 0.5
3 x 1 80 x 25	65CR3030010F	66CR3030010F	2.50 64.0	1.3 0.6
3 x 1-1/4 80 x 32	65CR3030012	66CR3030012	2.50 64.0	1.4 0.6
3 x 1-1/2 80 x 40	65CR3030014	66CR3030014	2.50 64.0	1.3 0.6
3 x 2 80 x 50	65CR3030020	66CR3030020	2.50 64.0	1.3 0.6
3 x 2-1/2 80 x 65	65CR3030024	66CR3030024	2.50 64.0	1.4 0.6
3-1/2 x 3 90 x 80	65CR3034030F	66CR3034030F	2.50 64.0	2.8 1.3
4 x 1 100 x 25	65CR3040010F	66CR3040010F	3.00 76.2	2.1 1.0
4 x 1-1/4 100 x 32	65CR3040012F	66CR3040012F	3.00 76.2	1.7 0.8
4 x 1-1/2 100 x 40	65CR3040014	66CR3040014	3.00 76.2	2.3 1.0
4 x 2 100 x 50	65CR3040020	66CR3040020	3.00 76.2	2.3 1.0
4 x 2-1/2 100 x 65	65CR3040024	66CR3040024	3.00 76.2	2.5 1.0
4 x 3 100 x 80	65CR3040030	66CR3040030	3.00 76.2	2.4 1.0
4 x 3-1/2 100 x 90	65CR3040034F	66CR3040034F	3.00 76.2	2.8 1.3
5 x 2 125 x 50	65CR3050020F	66CR3050020F	4.00 102.1	2.7 1.2
5 x 2-1/2 125 x 65	65CR3050024F	66CR3050024F	4.00 102.1	3.1 1.4
5 x 3 125 x 80	65CR3050030	66CR3050030	3.50 89.0	3.3 1.5

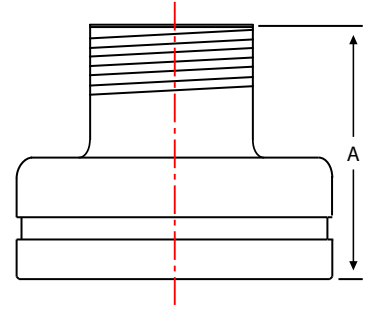
Pipe Size in / mm	Part Number		A in / mm	Weight lb / kg
	Painted	Galvanized		
5 x 4 125 x 100	65CR3050040	66CR3050040	3.50 89.0	3.7 1.7
6 x 1 150 x 25	65CR3060010F	66CR3060010F	4.00 102.1	4.1 1.9
6 x 1-1/2 150 x 40	65CR3060014F	66CR3060014F	4.00 102.1	4.3 2.0
6 x 2 150 x 50	65CR3060020	66CR3060020	4.00 102.1	5.5 2.5
6 x 2-1/2 150 x 65	65CR3060024	66CR3060024	4.00 102.1	5.7 2.6
6 x 3 150 x 80	65CR3060030	66CR3060030	4.00 102.1	5.3 2.4
6 x 4 150 x 100	65CR3060040	66CR3060040	4.00 102.1	5.4 2.5
6 x 5 150 x 125	65CR3060050	66CR3060050	4.00 102.1	5.7 2.6
8 x 3 200 x 80	65CR3080030	66CR3080030	5.00 127.0	10.5 4.8
8 x 4 200 x 100	65CR3080040	66CR3080040	5.00 127.0	10.2 4.6
8 x 5 200 x 125	65CR3080050	66CR3080050	5.00 127.0	10.9 5.0
8 x 6 200 x 150	65CR3080060	66CR3080060	5.00 127.0	10.6 4.8
10 x 4 250 x 100	65CR3100040	66CR3100040	6.00 152.0	22.0 10.0
10 x 5 250 x 125	65CR3100050F	66CR3100050F	6.00 152.0	21.7 9.9
10 x 6 250 x 100	65CR3100060	66CR3100060	6.00 152.0	21.3 9.7
10 x 8 250 x 200	65CR3100080	66CR3100080	6.00 152.0	20.7 9.4
12 x 6 300 x 150	65CR3120060F	66CR3120060F	7.00 178.0	26.5 12.0
12 x 8 300 x 200	65CR3120080F	66CR3120080F	7.00 178.0	30.7 14.0
12 x 10 300 x 250	65CR3120100F	66CR3120100F	7.00 178.0	32.2 14.6
14 x 6 350 x 150	65CR3140060F	66CR3140060F	13.00 330.2	94.5 43.0
14 x 8 350 x 200	65CR3140080F	66CR3140080F	13.00 330.2	100.0 45.5
14 x 10 350 x 250	65CR3140100F	66CR3140100F	13.00 330.2	107.0 48.6
14 x 12 350 x 300	65CR3140120F	66CR3140120F	13.00 330.2	113.0 51.7

(F) Fabricated fitting "A" dimension may differ from other manufacturers' products.

Other sizes and configurations available by special order.

Fig. 65CRT & 66CRT
Concentric Reducer Male NPT

- (F) Fabricated steel fittings – Schedule 40, cut grooved
- UL/FM – 1-1/2" to 8"
- Male NPT threads conform to ASME B1.20.1



Pipe Size in / mm	Part Number		A in / mm	Weight lb / kg
	Painted	Galvanized		
1-1/2 x 1 65 x 25	65CRT3024010F	66CRT3024010F	3.75 95.3	0.6 0.3
2 x 1 50 x 25	65CRT3020010F	66CRT3020010F	3.75 95.3	1.5 0.7
2 x 1-1/4 50 x 32	65CRT3020012F	66CRT3020012F	3.75 95.3	1.5 0.7
2 x 1-1/2 50 x 40	65CRT3020014F	66CRT3020014F	3.75 95.3	1.5 0.7
2-1/2 x 1 65 x 25	65CRT3024010F	66CRT3024010F	3.75 95.3	1.6 0.7
2-1/2 x 1-1/4 65 x 32	65CRT3024012F	66CRT3024012F	3.75 95.3	1.6 0.7
2-1/2 x 1-1/2 65 x 40	65CRT3024014F	66CRT3024014F	3.75 95.3	1.5 0.7
2-1/2 x 2 65 x 50	65CRT3024020F	66CRT3024020F	3.75 95.3	1.7 0.8
3 x 1 80 x 25	65CRT3030010F	66CRT3030010F	3.75 95.3	2.6 1.1
3 x 1-1/4 80 x 32	65CRT3030012F	66CRT3030012F	3.75 95.3	2.7 1.2
3 x 1-1/2 80 x 40	65CRT3030014F	66CRT3030014F	3.75 95.3	2.8 1.2
3 x 2 80 x 50	65CRT3030020F	66CRT3030020F	3.75 95.3	2.7 1.2
3 x 2-1/2 80 x 65	65CRT3030024F	66CRT3030024F	3.75 95.3	2.5 1.1
4 x 1 100 x 25	65CRT3040010F	66CRT3040010F	4.00 102.1	3.6 1.6
4 x 1-1/4 100 x 32	65CRT3040012F	66CRT3040012F	4.00 102.1	3.7 1.7
4 x 1-1/2 100 x 40	65CRT3040014F	66CRT3040014F	4.00 102.1	3.8 1.7
4 x 2 100 x 50	65CRT3040020F	66CRT3040020F	4.00 102.1	3.5 1.6
4 x 2-1/2 100 x 65	65CRT3040024F	66CRT3040024F	4.00 102.1	3.8 1.7
4 x 3 100 x 80	65CRT3040030F	66CRT3040030F	4.00 102.1	4.2 1.9

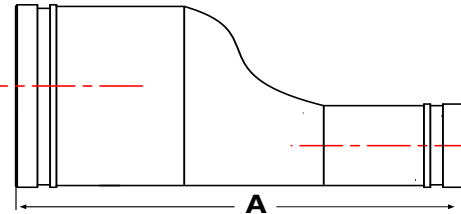
Pipe Size in / mm	Part Number		A in / mm	Weight lb / kg
	Painted	Galvanized		
5 x 4 125 x 100	65CRT3050040F	66CRT3050040F	4.25 108.0	6.4 2.9
6 x 1 150 x 25	65CRT3060010F	66CRT3060010F	4.25 108.0	7.9 3.6
6 x 1-1/4 150 x 32	65CRT3060012F	66CRT3060012F	4.25 108.0	7.9 3.6
6 x 1-1/2 150 x 40	65CRT3060014F	66CRT3060014F	4.50 112.0	8.1 3.7
6 x 2 150 x 50	65CRT3060020F	66CRT3060020F	4.50 112.0	8.7 4.0
6 x 3 150 x 80	65CRT3060030F	66CRT3060030F	4.50 112.0	9.9 4.5
6 x 4 150 x 100	65CRT3060040F	66CRT3060040F	4.50 112.0	9.9 4.5
6 x 5 150 x 125	65CRT3060050F	66CRT3060050F	4.50 112.0	9.9 4.5
8 x 3 200 x 80	65CRT3080030F	66CRT3080030F	5.00 127.0	14.9 6.7
8 x 4 200 x 100	65CRT3080040F	66CRT3080040F	5.00 127.0	14.8 6.7
8 x 5 200 x 125	65CRT3080050F	66CRT3080050F	5.00 127.0	15.6 7.0
8 x 6 200 x 150	65CRT3080060F	66CRT3080060F	5.00 127.0	18.9 8.5
10 x 4 250 x 100	65CRT3100040F	66CRT3100040F	6.00 152.0	31.9 14.4
10 x 5 250 x 125	65CRT3100050F	66CRT3100050F	6.00 152.0	31.0 12.74
10 x 6 250 x 150	65CRT3100060F	66CRT3100060F	6.00 152.0	31.9 14.4
10 x 8 250 x 200	65CRT3100080F	66CRT3100080F	6.00 152.0	34.3 15.6
12 x 4 300 x 100	65CRT3120040F	66CRT3120040F	7.00 178.0	33.8 15.4
12 x 6 300 x 150	65CRT3120060F	66CRT3120060F	7.00 178.0	38.3 17.4
12 x 8 300 x 200	65CRT3120080F	66CRT3120080F	7.00 178.0	41.3 18.7

(F) Fabricated fitting "A" dimension may differ from other manufacturers' products.
 Other sizes and configurations available by special order.

Please see complete installation instructions at www.smithcooper.com for important guidelines and limitations on the use and applications of COOPLOK™ Grooved Couplings and Fittings.

Fig. 65ER & 66ER
Eccentric Reducer

- (F) Fabricated steel fittings – Full Flow Schedule 40, cut grooved
- UL/FM – 2" to 8"



Pipe Size in / mm	Part Number		A in / mm	Weight lb / kg
	Painted	Galvanized		
2 x 1 50 x 25	65ER3020010F	66ER3020010F	9.00 228.6	0.8 0.4
2 x 1-1/4 50 x 32	65ER3020012F	66ER3020012F	9.00 228.6	0.9 0.4
2 x 1-1/2 50 x 40	65ER3020014F	66ER3020014F	9.00 228.6	1.0 0.5
2-1/2 x 1 65 x 25	65ER3024010F	66ER3024010F	9.50 241.3	1.0 0.5
2-1/2 x 1-1/4 65 x 32	65ER3024012F	66ER3024012F	9.50 241.3	1.3 0.6
2-1/2 x 1-1/2 65 x 40	65ER3024014F	66ER3024014F	9.50 241.3	0.9 0.4
2-1/2 x 2 65 x 50	65ER3024020F	66ER3024020F	9.50 241.3	1.1 0.5
3 x 1 80 x 25	65ER3030010F	66ER3030010F	9.50 241.3	1.6 0.7
3 x 1-1/4 80 x 32	65ER3030012F	66ER3030012F	9.50 241.3	1.7 0.8
3 x 1-1/2 80 x 40	65ER3030014F	66ER3030014F	9.50 241.3	1.2 0.5
3 x 2 80 x 50	65ER3030020F	66ER3030020F	9.50 241.3	1.5 0.7
3 x 2-1/2 80 x 65	65ER3030024F	66ER3030024F	9.50 241.3	1.5 0.7
3-1/2 x 3 90 x 80	65ER3034030F	66ER3034030F	9.50 241.3	2.8 1.3
4 x 1 100 x 25	65ER3040010F	66ER3040010F	10.00 254.0	2.1 1.0
4 x 1-1/4 100 x 32	65ER3040012F	66ER3040012F	10.00 254.0	1.7 0.8
4 x 1-1/2 100 x 40	65ER3040014F	66ER3040014F	10.00 254.0	1.8 0.8
4 x 2 100 x 50	65ER3040020F	66ER3040020F	10.00 254.0	2.0 0.9
4 x 2-1/2 100 x 65	65ER3040024F	66ER3040024F	10.00 254.0	2.3 1.0
4 x 3 100 x 80	65ER3040030F	66ER3040030F	10.00 254.0	2.5 1.1
4 x 3-1/2 100 x 90	65ER3040034F	66ER3040034F	10.00 254.0	2.8 1.3
5 x 2 125 x 50	65ER3050020F	66ER3050020F	11.00 279.4	2.7 1.2
5 x 2-1/2 125 x 65	65ER3050024F	66ER3050024F	11.00 279.4	3.1 1.4
5 x 3 125 x 80	65ER3050030F	66ER3050030F	11.00 279.4	3.3 1.5

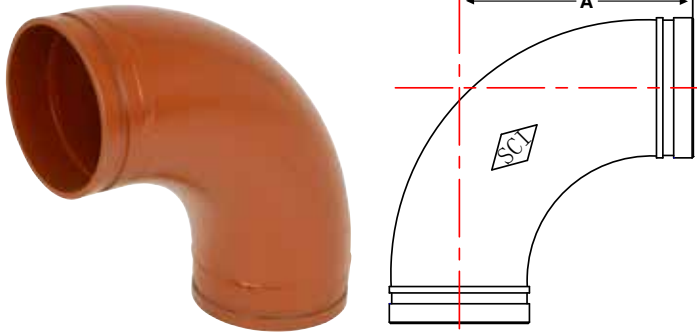
Pipe Size in / mm	Part Number		A in / mm	Weight lb / kg
	Painted	Galvanized		
5 x 4 125 x 100	65ER3050040F	66ER3050040F	11.00 279.4	3.8 1.7
6 x 1 150 x 25	65ER3060010F	66ER3060010F	11.50 292.1	4.1 1.9
6 x 1-1/2 150 x 40	65ER3060014F	66ER3060014F	11.50 292.1	4.3 2.0
6 x 2 150 x 50	65ER3060020F	66ER3060020F	11.50 292.1	3.8 1.7
6 x 2-1/2 150 x 65	65ER3060024F	66ER3060024F	11.50 292.1	5.7 2.6
6 x 3 150 x 80	65ER3060030F	66ER3060030F	11.50 292.1	4.0 1.8
6 x 4 150 x 100	65ER3060040F	66ER3060040F	11.50 292.1	7.1 3.2
6 x 5 150 x 125	65ER3060050F	66ER3060050F	11.50 292.1	8.2 3.7
8 x 3 200 x 80	65ER3080030F	66ER3080030F	12.00 304.8	8.4 3.8
8 x 4 200 x 100	65ER3080040F	66ER3080040F	12.00 304.8	8.3 3.8
8 x 5 200 x 125	65ER3080050F	66ER3080050F	12.00 304.8	9.1 4.1
8 x 6 200 x 150	65ER3080060F	66ER3080060F	12.00 304.8	10.0 4.5
10 x 4 250 x 100	65ER3100040F	66ER3100040F	13.00 330.2	14.9 6.8
10 x 5 250 x 125	65ER3100050F	66ER3100050F	13.00 330.2	11.0 5.0
10 x 6 250 x 150	65ER3100060F	66ER3100060F	13.00 330.2	14.9 6.8
10 x 8 250 x 200	65ER3100080F	66ER3100080F	13.00 330.2	17.3 7.8
12 x 6 300 x 150	65ER3120060F	66ER3120060F	14.00 355.6	16.3 7.4
12 x 8 300 x 200	65ER3120080F	66ER3120080F	14.00 355.6	19.3 8.8
12 x 10 300 x 250	65ER3120100F	66ER3120100F	14.00 355.6	23.0 10.4
14 x 6 350 x 150	65ER3140060F	66ER3140060F	13.00 330.2	96.0 43.5
14 x 8 350 x 200	65ER3140080F	66ER3140080F	13.00 330.2	76.6 34.7
14 x 10 350 x 250	65ER3140100F	66ER3140100F	13.00 330.2	77.6 35.2
14 x 12 350 x 300	65ER3140120F	66ER3140120F	13.00 330.2	89.2 40.5

(F) Fabricated fitting "A" dimension may differ from other manufacturers' products.
 Other sizes and configurations available by special order.



Fig. 65ELR & 66ELR
90° Long Radius Elbow – 1-1/2 D

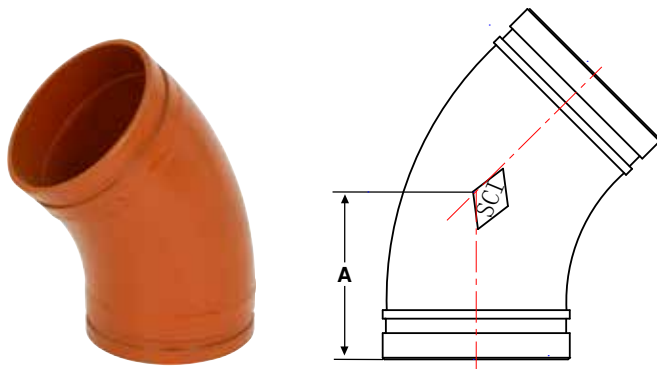
- (F) Fabricated steel fittings – Full Flow (all sizes)
 Schedule 40, cut grooved



Pipe Size in / mm	Part Number		A in / mm	Weight lb / kg
	Painted	Galvanized		
1 25	65ELR3010F	66ELR3010F	3.00 76.0	1.2 0.5
1-1/4 32	65ELR3012F	66ELR3012F	3.88 99.0	1.4 0.6
1-1/2 40	65ELR3014F	66ELR3014F	4.25 108.0	1.8 0.8
2 50	65ELR3020F	66ELR3020F	4.38 111.0	2.6 1.2
2-1/2 65	65ELR3024F	66ELR3024F	5.75 146.0	5.1 2.3
3 80	65ELR3030F	66ELR3030F	5.88 149.0	6.6 3.0
4 100	65ELR3040F	66ELR3040F	7.50 191.0	11.6 5.3
5 125	65ELR3050F	66ELR3050F	9.50 241.0	20.0 9.1
6 150	65ELR3060F	66ELR3060F	10.75 273.0	29.5 13.4
8 200	65ELR3080F	66ELR3080F	15.00 381.0	62.1 28.2
10 250	65ELR3100F	66ELR3100F	18.00 457.0	103.7 47.1
12 300	65ELR3120F	66ELR3120F	21.00 533.0	147.8 67.2
14 350	65ELR3140F	66ELR3140F	21.00 533.0	159.0 72.3
16 400	65ELR3160F	66ELR3160F	24.00 610.0	211.0 95.9
18 450	65ELR3180F	66ELR3180F	27.00 686.0	269.0 122.3
20 500	65ELR3200F	66ELR3200F	32.00 813.0	332.0 150.9
24 600	65ELR3240F	66ELR3240F	36.00 914.0	470.0 213.6

Fig. 65FLR & 66FLR
45° Long Radius Elbow – 1-1/2 D

- (F) Fabricated steel fittings – Full Flow (all sizes)
 Schedule 40, cut grooved

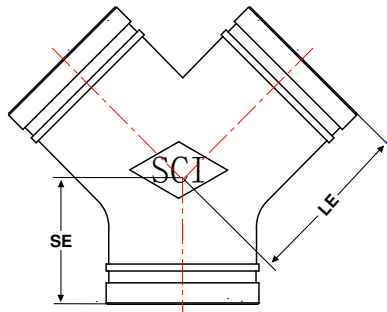


3D, 5D & 6D Long Radius Fittings available on request.

Pipe Size in / mm	Part Number		A in / mm	Weight lb / kg
	Painted	Galvanized		
1 25	65FLR3010F	66FLR3010F	2.50 64.0	0.9 0.4
1-1/4 32	65FLR3012F	66FLR3012F	2.50 64.0	1.1 0.5
1-1/2 40	65FLR3014F	66FLR3014F	2.50 64.0	1.3 0.6
2 50	65FLR3020F	66FLR3020F	2.75 70.0	2.2 1.0
2-1/2 65	65FLR3024F	66FLR3024F	3.00 76.0	3.4 1.5
3 80	65FLR3030F	66FLR3030F	3.38 86.0	5.2 2.4
4 100	65FLR3040F	66FLR3040F	4.00 102.0	10.0 4.5
5 125	65FLR3050F	66FLR3050F	5.00 127.0	13.2 6.0
6 150	65FLR3060F	66FLR3060F	5.50 140.0	18.1 8.2
8 200	65FLR3080F	66FLR3080F	7.25 184.0	35.0 15.9
10 250	65FLR3100F	66FLR3100F	8.50 216.0	59.0 26.8
12 300	65FLR3120F	66FLR3120F	10.00 254.0	102.0 46.4
14 350	65FLR3140F	66FLR3140F	8.75 222.0	122.0 55.5
16 400	65FLR3160F	66FLR3160F	10.00 254.0	134.0 60.9
18 450	65FLR3180F	66FLR3180F	11.25 286.0	133.0 60.5
20 500	65FLR3200F	66FLR3200F	12.50 318.0	165.0 75.0
24 600	65FLR3240F	66FLR3240F	15.00 381.0	237.0 107.7

Fig. 65Y & 66Y
True Wye

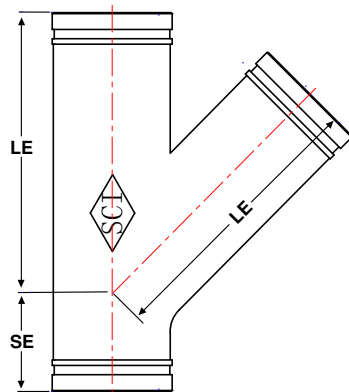
- (F) Fabricated steel fittings – all sizes
Schedule 40, cut grooved



Pipe Size in / mm	Part Number		LE in / mm	SE in / mm	Weight lb / kg
	Painted	Galvanized			
1 25	65Y3010F	66Y3010F	2.75 70.0	2.50 64.0	1.0 0.5
1-1/4 32	65Y3012F	66Y3012F	2.75 70.0	2.50 64.0	1.5 0.7
1-1/2 40	65Y3014F	66Y3014F	2.75 70.0	2.75 70.0	1.8 0.8
2 50	65Y3020F	66Y3020F	3.25 83.0	2.75 70.0	2.4 1.1
2-1/2 65	65Y3024F	66Y3024F	3.75 95.0	3.00 76.0	4.9 2.2
3 80	65Y3030F	66Y3030F	4.25 108.0	3.25 83.0	5.9 2.8
4 100	65Y3040F	66Y3040F	5.00 127.0	3.75 95.0	10.2 4.5
5 125	65Y3050F	66Y3050F	5.50 140.0	4.00 102.0	14.7 6.8
6 150	65Y3060F	66Y3060F	6.50 165.0	4.50 114.0	20.2 9.2
8 200	65Y3080F	66Y3080F	7.75 197.0	6.00 152.0	34.5 15.7
10 250	65Y3100F	66Y3100F	9.00 229.0	6.50 165.0	48.0 21.8
12 300	65Y3120F	66Y3120F	10.00 254.0	7.00 178.0	84.8 38.5
14 350	65Y3140F	66Y3140F	11.00 279.0	7.50 191.0	101.0 45.9
16 400	65Y3160F	66Y3160F	12.00 305.0	8.00 203.0	125.0 56.8
18 450	65Y3180F	66Y3180F	15.50 394.0	8.50 216.0	180.0 81.8
20 500	65Y3200F	66Y3200F	17.25 438.0	9.00 229.0	217.0 98.6
24 600	65Y3240F	66Y3240F	20.00 508.0	10.00 254.0	298.0 135.5

Fig. 65LY & 66LY
45° Lateral

- (F) Fabricated steel fittings – all sizes
Schedule 40, cut grooved



Pipe Size in / mm	Part Number		LE in / mm	SE in / mm	Weight lb / kg
	Painted	Galvanized			
1 25	65LY3010F	66LY3010F	5.00 127.0	2.25 57.0	1.5 0.7
1-1/4 32	65LY3012F	66LY3012F	5.75 146.0	2.50 64.0	2.2 1.0
1-1/2 40	65LY3014F	66LY3014F	6.25 159.0	2.75 70.0	3.2 1.5
2 50	65LY3020F	66LY3020F	7.00 178.0	2.75 70.0	4.4 2.0
2-1/2 65	65LY3024F	66LY3024F	7.75 197.0	3.00 76.0	9.8 4.5
3 80	65LY3030F	66LY3030F	8.50 216.0	3.25 83.0	11.0 5.0
4 100	65LY3040F	66LY3040F	10.50 267	3.75 95.0	18.0 8.2
5 125	65LY3050F	66LY3050F	12.50 318.0	4.00 102.0	28.5 13.0
6 150	65LY3060F	66LY3060F	14.00 356.0	4.50 114.0	39.0 17.7
8 200	65LY3080F	66LY3080F	18.00 457.0	6.00 152.0	81.8 37.2
10 250	65LY3100F	66LY3100F	20.50 521.0	6.50 165.0	127.0 57.7
12 300	65LY3120F	66LY3120F	23.00 584.0	7.00 178.0	157.0 71.4
14 350	65LY3140F	66LY3140F	26.50 673.0	7.50 191.0	201.0 91.4
16 400	65LY3160F	66LY3160F	29.00 737.0	8.00 203.0	340.0 154.5
18 450	65LY3180F	66LY3180F	32.00 813.0	8.50 216.0	420.0 190.9
20 500	65LY3200F	66LY3200F	35.00 889.0	9.00 229.0	515.0 234.1
24 600	65LY3240F	66LY3240F	40.00 1016.0	10.00 254.0	930.0 422.7