



STAINLESS STEEL FLANGED END BALL VALVE



AMERICANVALVE.COM



SPECIFICATIONS

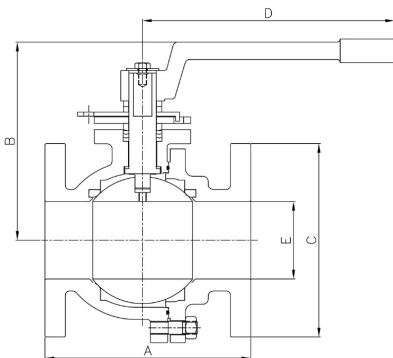
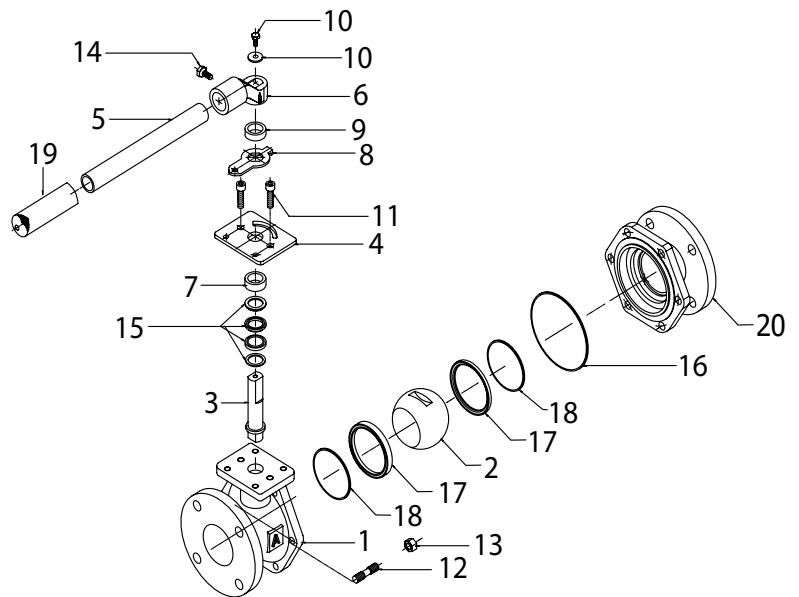
- Cast 316 Stainless Steel (CF8M)
- PFA* Fused Solid Stainless Steel Ball
- Blow-out Proof Stainless Steel Stem
- Reinforced PTFE Seats
- Full Opening for Unrestricted Flow
- Lockable in Full Open or Closed Positions
- API 607 Fire Safe Design
- Mounting Pad for Easy Actuation
- Adjustable Length/Removable Handles to fit into areas of limited space
- Certified to meet the requirements of NSF/ANSI 61 and NSF/ANSI 372 MSS SP-72

RATING

- 150 psi WSP
- 300 psi WOG
- 366° F

MATERIAL SPECIFICATIONS

	Part	Material	
1	Body	Stainless Steel	ASTMA351-CF8M
2	PFA* Fused Ball	Stainless Steel	ASTMA351-CF8M
3	Stem	Stainless Steel	ASTM A276-316
4	Gland Plate	Stainless Steel	ASTM A479-11
5	Handle	Stainless Steel	ASTM A312
6	Handle Bracket	Stainless Steel	ASTM A351 CF8
7	Packing Follower	Stainless Steel	ASTM A276-316
8	Stem Indicator	Stainless Steel	ASTM A479-11
9	Handle Bracket Spacer	Stainless Steel	ASTM A276-316
10	Stem Stud & Washer	Stainless Steel	ASTM0193-B8
11	Gland Stud	Stainless Steel	ASTM0193-B8
12	Body Stud	Stainless Steel	ASTM0193-B8
13	Body Nut	Stainless Steel	ASTM0193-B8
14	Handle Bracket Bolt	Stainless Steel	ASTM0193-B8
15	Packing	PTFE	ASTM D3294
16	Body Gasket	PTFE	ASTM D3294
17	Seat Ring	RPTFE 15% GF	ASTM D4894
18	Back Seat O-Ring	PTFE	ASTM D3294
19	Handle Grip	Red Foam Rubber	ASTM D 749
20	Body Cap	Stainless Steel	ASTMA351-CF8M



DIMENSIONS

	1 1/2"	2"	2 1/2"	3"	4"	6"
A Face to Face	6.5"	7"	7.5"	8"	9"	10.5"
B Center of Port to Top	6"	6.5"	7.5"	8.25"	9"	12"
C Flange Diameter	5"	6"	7"	7.5"	9"	11"
D Center of Valve to Handle End	12.25"	12.25"	14"	14"	16"	30.5"
E Port Diameter	1.5"	2"	2.5"	3"	4"	6"
Bolt Holes	4	4	4	4	8	8
Weight lbs.	16	22	38	49	73	145
CV	260	500	750	1245	2500	5470
Mounting Pad	F07	F07	F10	F10	F10	F12

OPERATING TORQUES

Size	Torque (ft. lbs.)
3/8"	10
1/2"	10
1"	10
1 1/2"	20
2"	35
2 1/2"	48
3"	62
4"	130
6"	260
8"	360
10"	535

PROJECT:	SUBMITTED BY:

AMERICAN VALVE

4321 PIEDMONT PARKWAY, GREENSBORO, NC 27410
PHONE: 800-645-0101 • EMAIL: SALES@AMERICANVALVE.COM