



# DUCTILE IRON FLANGED END BALL VALVE



AMERICANVALVE.COM



## SPECIFICATIONS

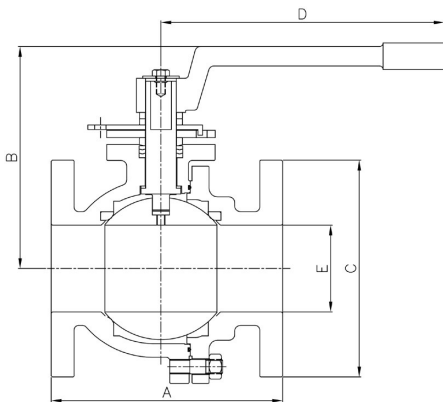
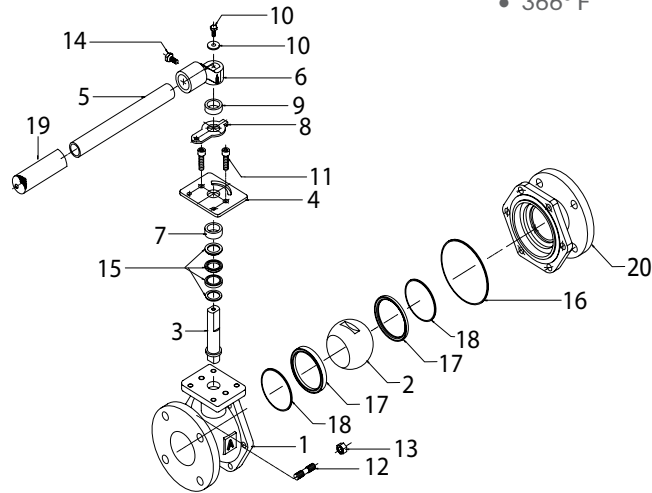
- PFA\* Fused Solid Stainless Steel Ball
- Blow-out Proof Stainless Steel Stem
- Reinforced PTFE Seats
- Face to Face and Flanged Dimensions conform to ANSI Standard B16.10 which exactly match end to end dimensions of carbon steel ball valves, ductile iron gate valves, and plug valves
- Lockable in Full Open or Closed Positions
- ISO Mounting Pad for Easy Actuation
- Adjustable Length/Removable Handles to fit into areas of limited space
- Full Port through 6"
- Certified to meet the requirements of:
  - NSF/ANSI 61 and NSF/ANSI 372
  - MSS SP-72
  - ANSI B16.5 Raised Face
  - FED. SPEC. WW-V-35
  - AWWA C507-99 (Proof of Design)

## MATERIAL SPECIFICATIONS

Part	Material	ASTM
1	Body	Ductile Iron ASTM A536
2	PFA* Fused Ball	Stainless Steel ASTM A743 GR.CA 15
3	Stem	Stainless Steel ASTM SA 479 -10a
4	Gland Plate	Steel ASTM A53M
5	Handle	Steel ASTM A53M
6	Handle Bracket	Ductile Iron ASTM A536
7	Packing Follower	Stainless Steel ASTM SA 479 -10a
8	Stem Indicator	Steel ASTM A53M
9	Handle Bracket Spacer	Stainless Steel ASTM SA 479 -10a
10	Stem Stud & Washer	Steel ASTM A193
11	Gland Stud	Steel ASTM A53M
12	Body Stud	Steel ASTM A53M
13	Body Nut	Steel ASTM A53M
14	Handle Bracket Bolt	Steel ASTM A193
15	Packing	PTFE ASTM D3294
16	Body Gasket	PTFE ASTM D3294
17	Seat Ring	RPTFE 15% GF ASTM D4894
18	Back Seat O-Ring	PTFE ASTM D3294
19	Handle Grip	Red Foam Rubber ASTM D 749
20	Body Cap	Ductile Iron ASTM A536

## RATING

- 150 psi WSP
- 300 psi WOG
- 366° F



## DIMENSIONS

	2"	2 1/2"	3"	4"	6"	8"	10"
A Face to Face	7"	7.5"	8"	9"	10.5"	11.5"	13"
B Center of Port to Top	6.5"	7.5"	8.25"	9"	12"	12.25"	13.5"
C Flange Diameter	6"	7"	7.5"	9"	11"	13.5"	16"
D Center of Valve to Handle End	12.5"	14"	14"	16"	30.5"	30.5"	33.625"
E Port Diameter	2"	2.5"	3"	4"	6"	6"	7.875"
Bolt Holes	4	4	4	8	8	8	12
Weight lbs.	25	42	55	78	149	194	318
CV	500	750	1245	2500	5470	4150	6700
Mounting Pad	F07	F10	F10	F10	F12	F12	F12

PROJECT:	SUBMITTED BY:

## OPERATING TORQUES

Size	Torque (ft. lbs.)
1/2"	10
3/4"	10
1"	10
1 1/2"	20
2"	35
2 1/2"	48
3"	62
4"	130
6"	260
8"	360
10"	535

## AMERICAN VALVE

4321 PIEDMONT PARKWAY, GREENSBORO, NC 27410  
PHONE: 800-645-0101 • EMAIL: SALES@AMERICANVALVE.COM